



US00D583185S

(12) **United States Design Patent**  
**Rutter et al.**

(10) **Patent No.:** **US D583,185 S**  
(45) **Date of Patent:** **\*\* Dec. 23, 2008**

(54) **BARBEQUE GRILL**

(75) Inventors: **Bryce G. Rutter**, St. Louis, MO (US);  
**Melvin J. Leedle**, St. Louis, MO (US);  
**Jeff Feng**, Chesterfield, MO (US); **Jon S. Walters**, St. Louis, MO (US);  
**Carolyn A. Richards**, St. Louis, MO (US); **Jonathan Sundy**, St. Louis, MO (US)

(73) Assignee: **Phase 2, LLC**, St. Louis, MO (US)

(\*\*) Term: **14 Years**

(21) Appl. No.: **29/301,407**

(22) Filed: **Feb. 28, 2008**

(51) **LOC (8) Cl.** ..... **07-02**

(52) **U.S. Cl.** ..... **D7/334**

(58) **Field of Classification Search** ..... 3/332–337,  
3/402–405, 352; 99/444–445, 448, 481–482;  
D23/343, 401; 126/519, 25 R, 25 A, 25 AA,  
126/41 R, 29, 30, 9 R, 38, 37 R, 40, 50

See application file for complete search history.

(56) **References Cited**

**U.S. PATENT DOCUMENTS**

D193,163 S	7/1962	Levi	
D198,822 S	8/1964	Lyemance	
D201,416 S	6/1965	Sazegar	
D201,937 S	8/1965	Johnson	
D219,413 S	12/1970	Glaser et al.	
D219,693 S	1/1971	Hahn	
D223,042 S	2/1972	Wilkinson et al.	
D225,781 S	1/1973	Ehrlichmann	
D227,643 S	7/1973	Koziol	
D233,585 S	11/1974	Thomas	
D237,578 S	11/1975	Thomas	
D243,309 S	2/1977	Reunanen	
D269,839 S	7/1983	Givens, III	
D270,420 S	9/1983	Baugh	
D270,987 S	10/1983	Scheufler	
4,467,709 A *	8/1984	Anstedt	99/482
D279,537 S	7/1985	Taylor et al.	
D284,929 S	8/1986	Schlosser et al.	
D292,163 S	10/1987	Mashburn et al.	
D293,191 S	12/1987	Stephen et al.	

D295,135 S	4/1988	Ogden	
D303,061 S	8/1989	Fountain, Sr.	
D325,318 S	4/1992	Parent et al.	
D327,805 S	7/1992	Parent et al.	
D333,941 S	3/1993	Hait	
5,222,475 A *	6/1993	Greener	126/41 R
D341,988 S	12/1993	Endres	
D374,371 S *	10/1996	Hall McDonald	D7/332
6,016,797 A *	1/2000	Nowicke, Jr.	126/25 R
D420,243 S *	2/2000	Samaras	D7/332
D444,663 S	7/2001	Samaras	
D444,990 S	7/2001	Samaras	
D457,775 S *	5/2002	Peloquin	D7/332
D463,196 S *	9/2002	Hsu	D7/332
D463,948 S *	10/2002	Innes	D7/332
6,463,923 B2	10/2002	Carley et al.	
D469,651 S	2/2003	Samaras	
D486,348 S *	2/2004	Zhu	D7/332
D548,513 S *	8/2007	Huang	D7/332
D550,022 S *	9/2007	Amajuwon et al.	D7/332
D574,177 S *	8/2008	Hulsey	D7/335

**OTHER PUBLICATIONS**

www.biggreenegg.com.  
www.grilldome.com.

\* cited by examiner

*Primary Examiner*—Ruth McInroy

(74) *Attorney, Agent, or Firm*—Harness, Dickey & Pierce, P.L.C.

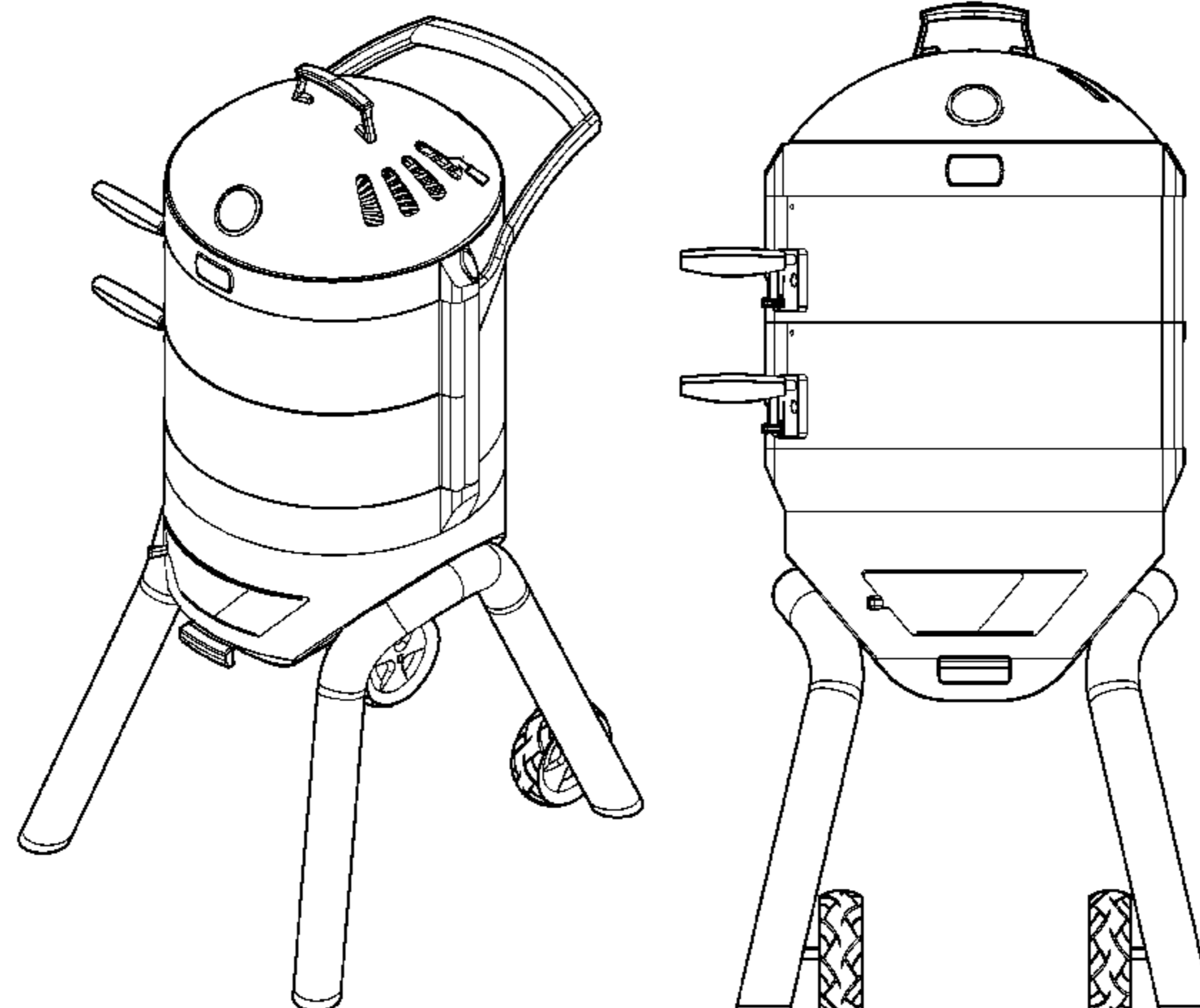
(57) **CLAIM**

We claim the ornamental design for a barbeque grill, as shown and described.

**DESCRIPTION**

FIG. 1 is a right isometric view of the barbeque grill;  
FIG. 2 is a front view thereof;  
FIG. 3 is a rear view thereof;  
FIG. 4 is a right side view thereof;  
FIG. 5 is a left side view thereof;  
FIG. 6 is a top view thereof; and,  
FIG. 7 is a bottom view thereof.

**1 Claim, 7 Drawing Sheets**



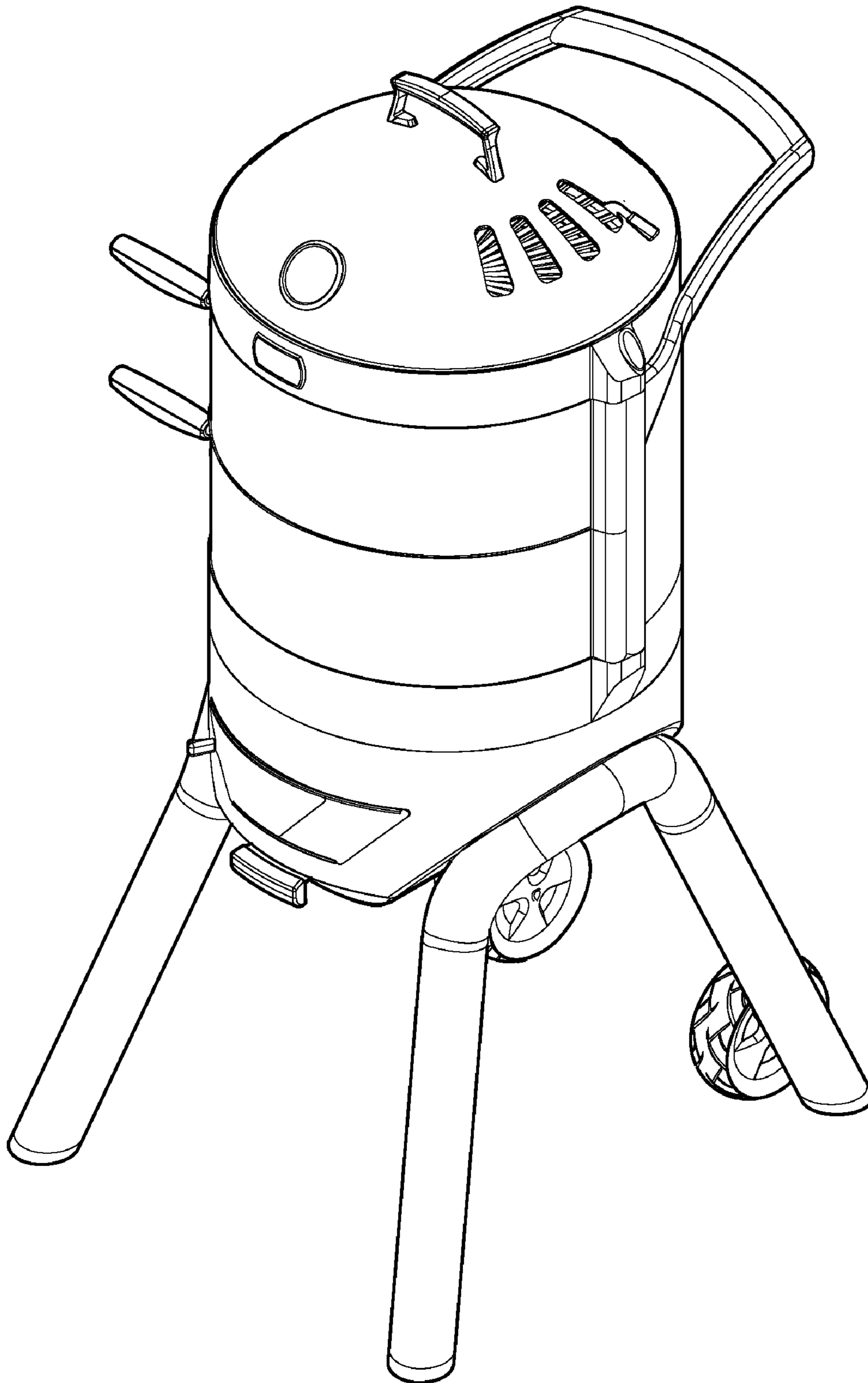


Fig. 1

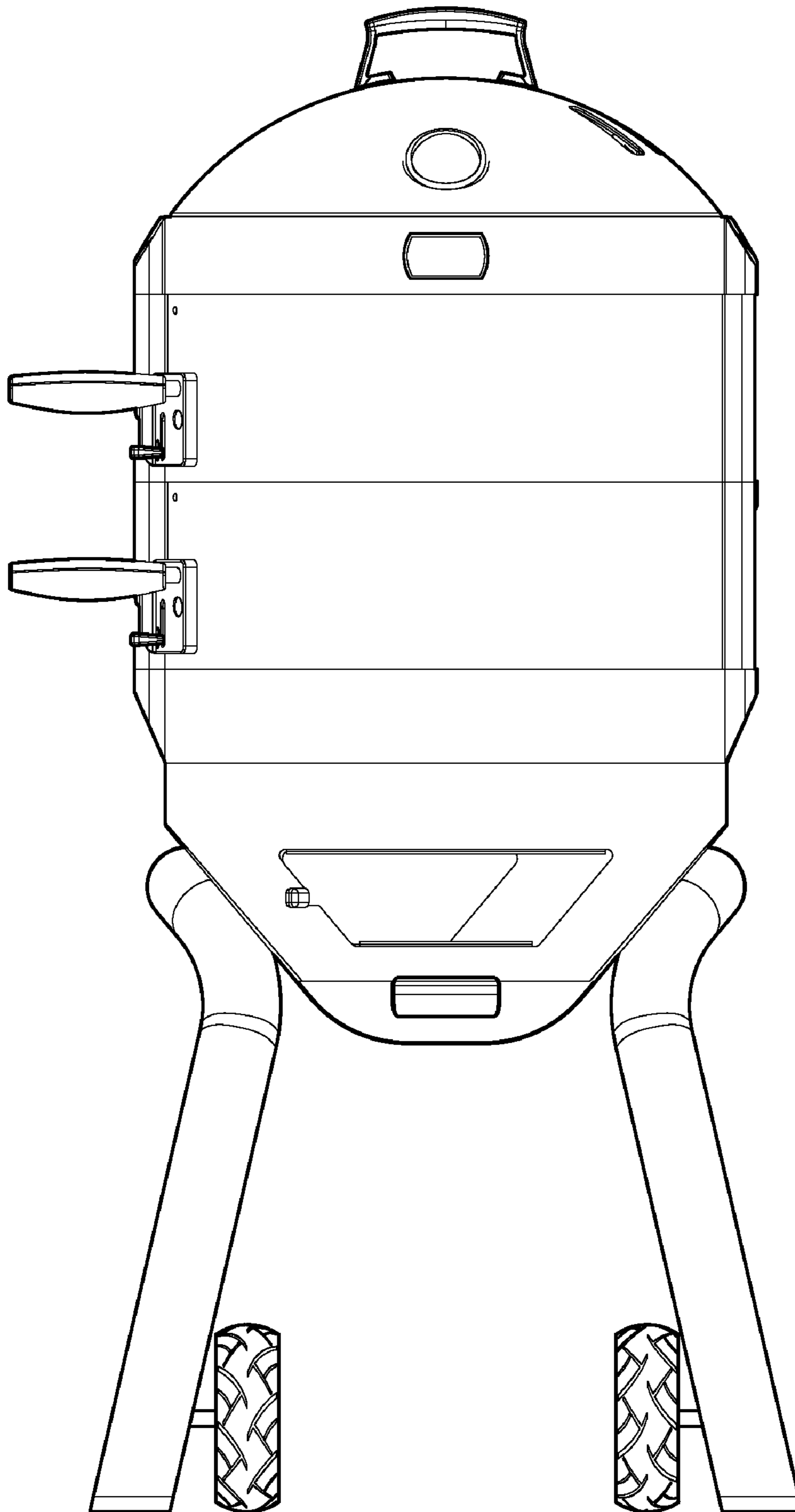


Fig. 2

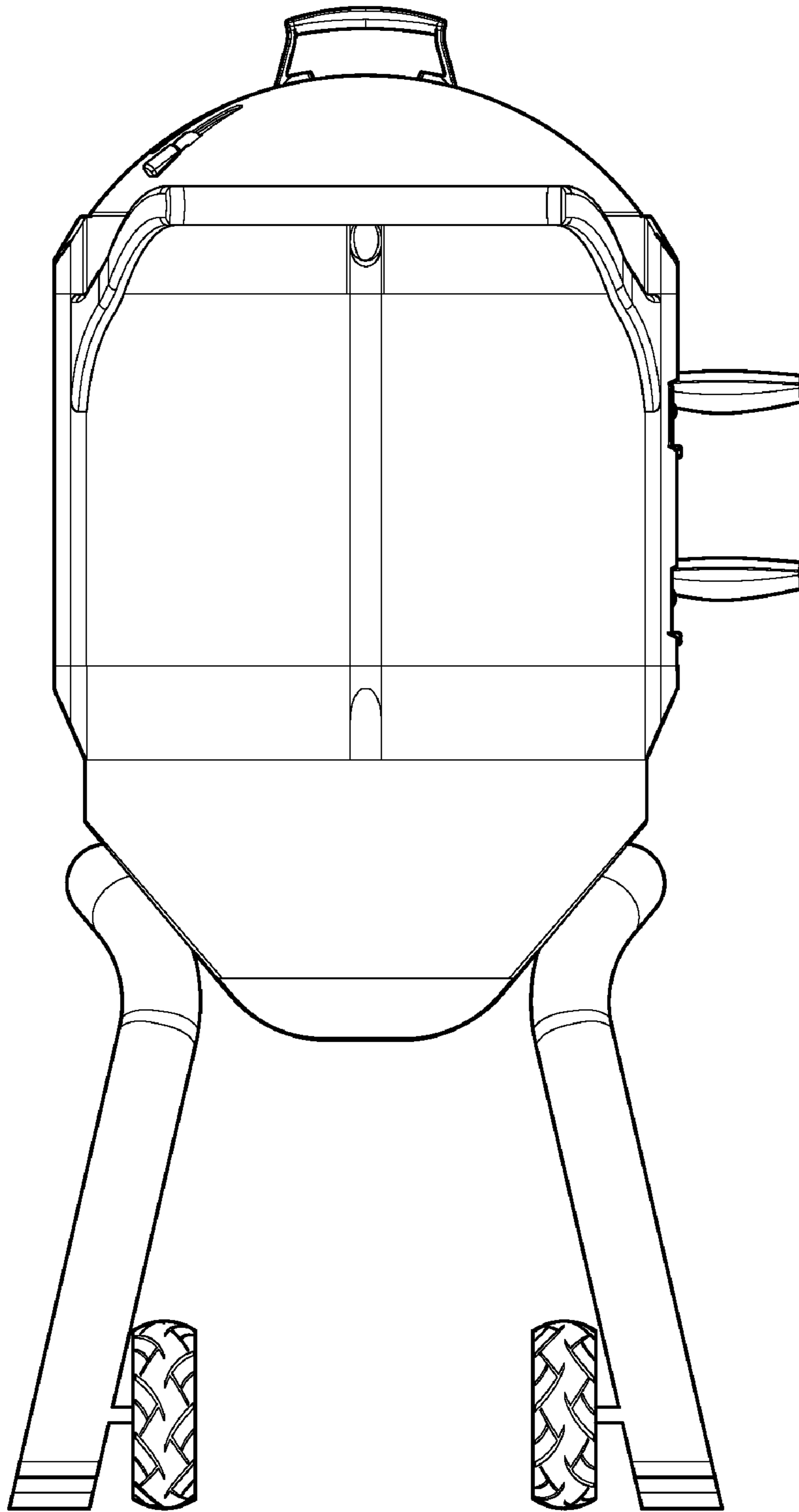


Fig. 3

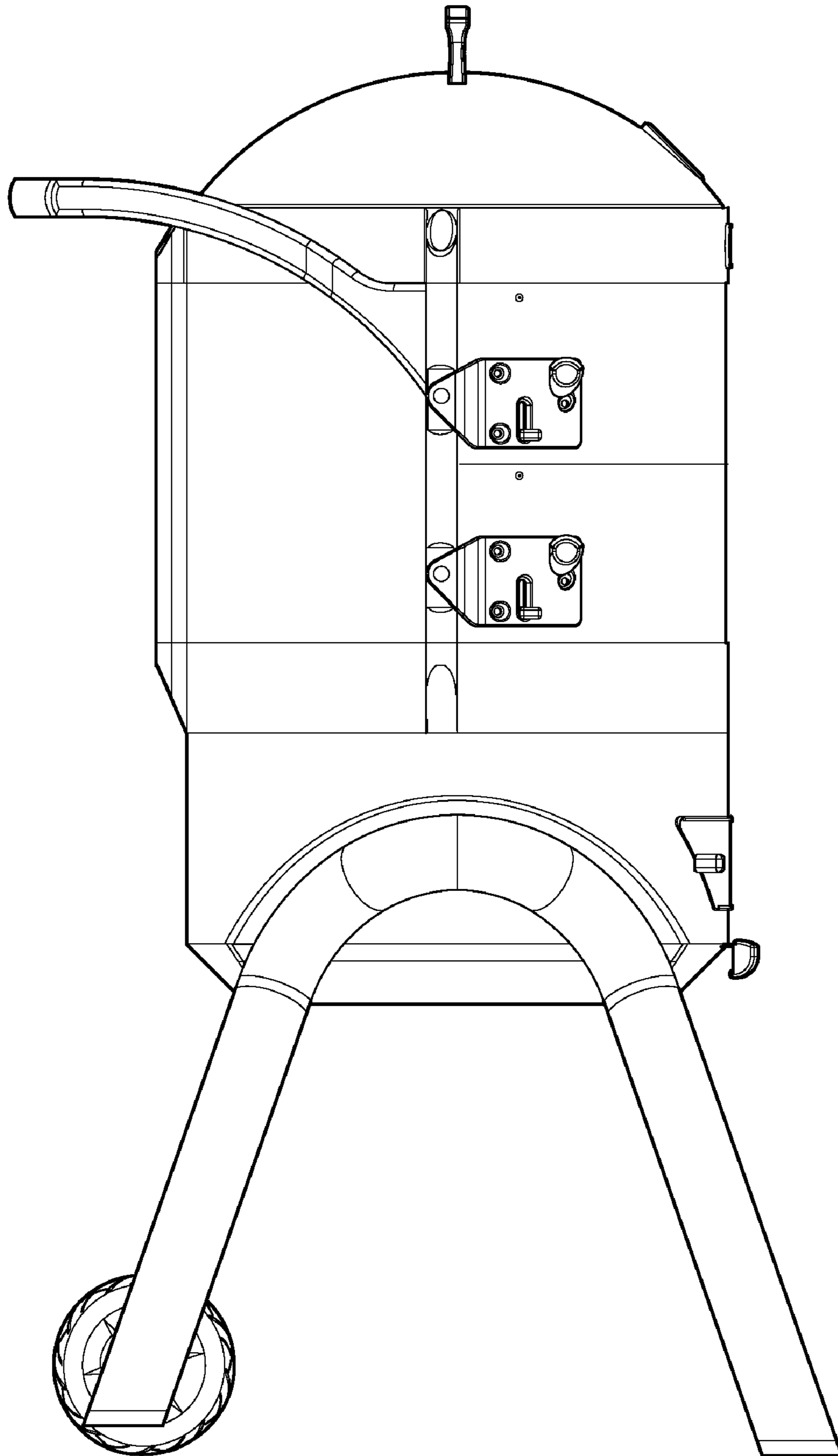


Fig. 4

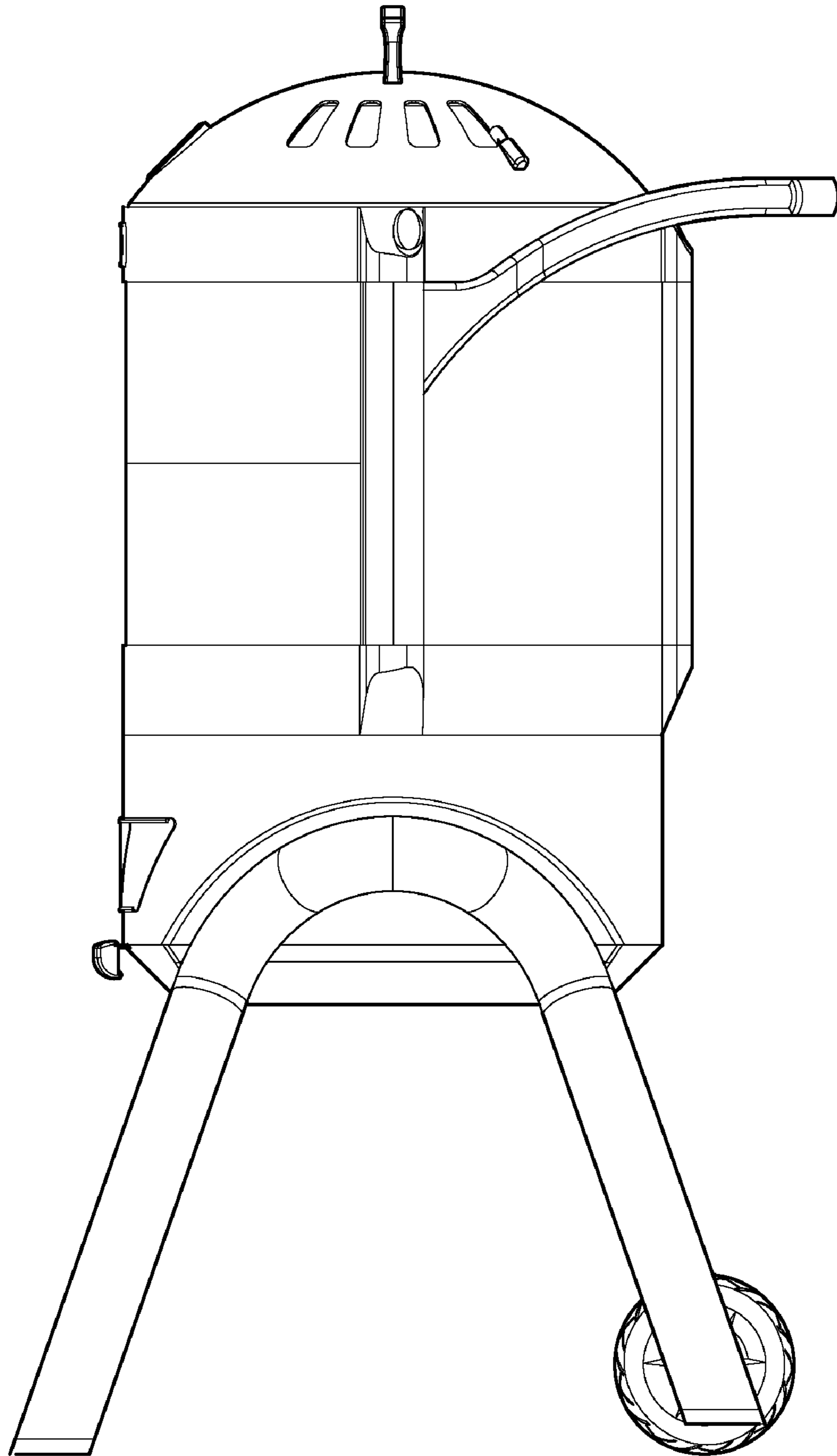


Fig. 5

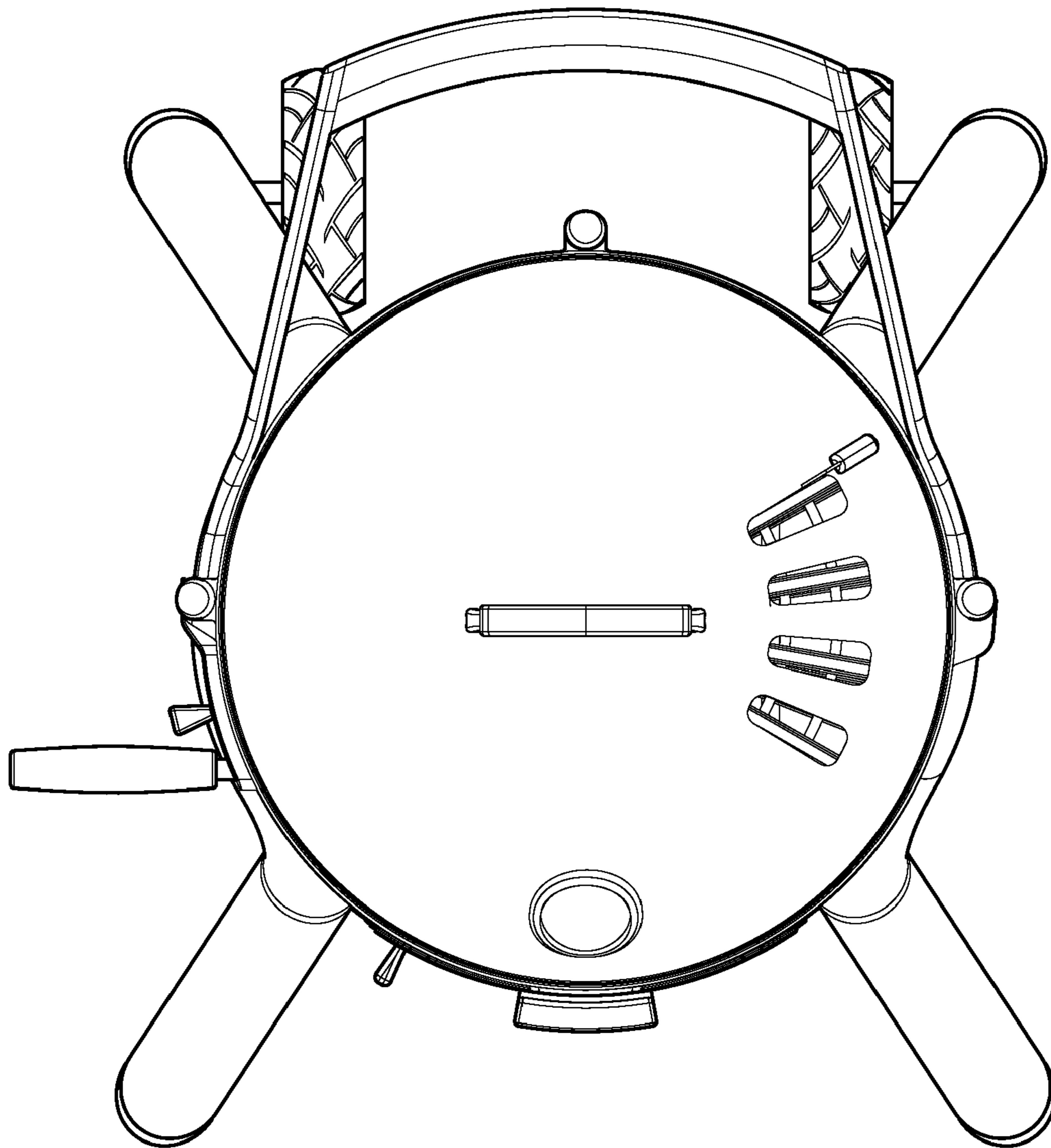


Fig. 6

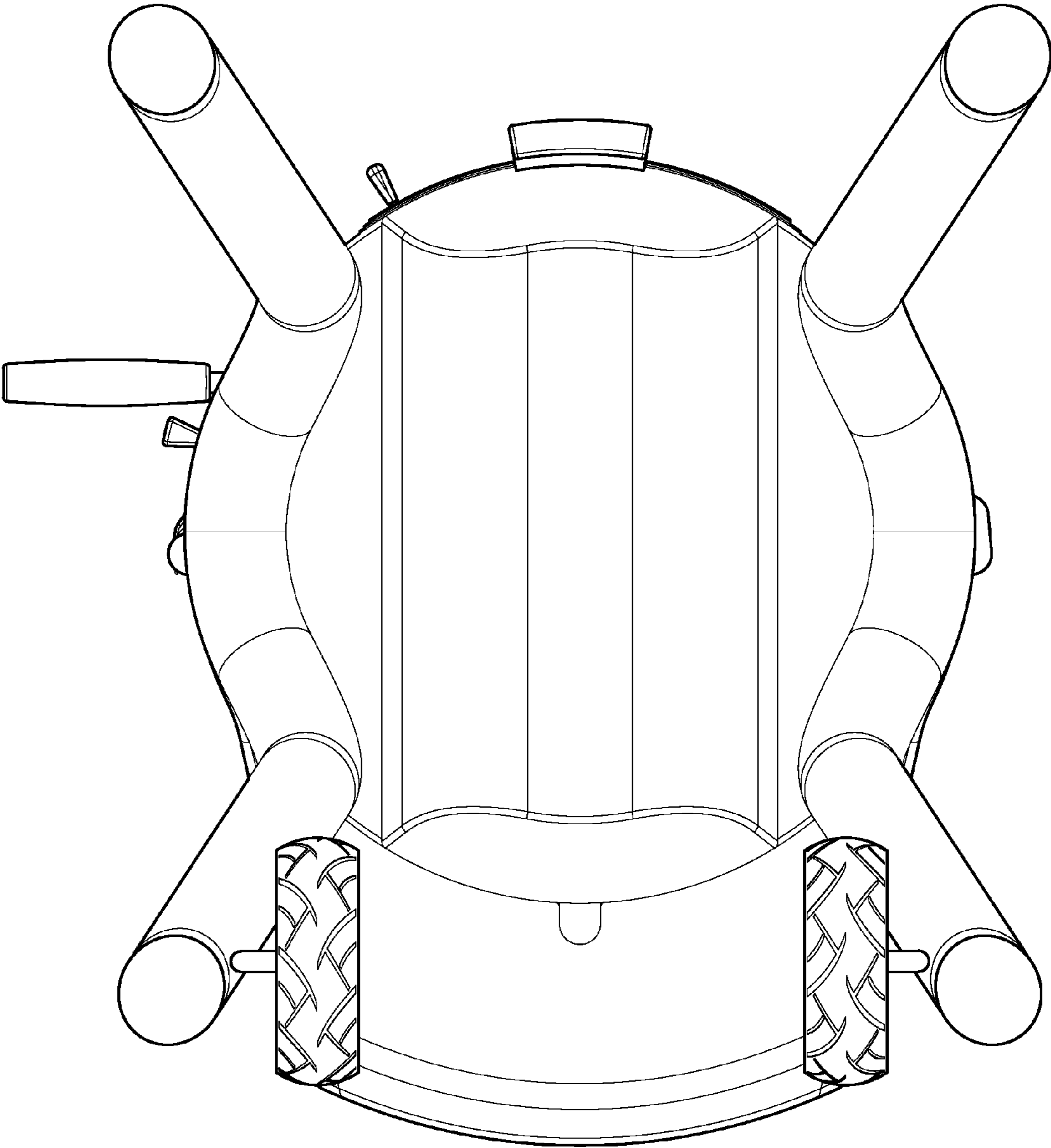


Fig. 7