



US00D583184S

(12) **United States Design Patent**
Delong

(10) **Patent No.:** **US D583,184 S**
(45) **Date of Patent:** **** Dec. 23, 2008**

(54) **COMBINATION TOASTER AND OVEN**

(75) Inventor: **Derwood Delong**, Goochland, VA (US)

(73) Assignee: **Hamilton Beach Brands, Inc.**, Glen Allen, VA (US)

(**) Term: **14 Years**

(21) Appl. No.: **29/303,760**

(22) Filed: **Feb. 15, 2008**

(51) **LOC (8) Cl.** **07-02**

(52) **U.S. Cl.** **D7/329**

(58) **Field of Classification Search** D7/323,
D7/328-333, 340-341, 346, 350.1-350.4,
D7/354-365, 367, 385, 390, 402, 405-411;
D13/158, 162, 162.1, 163; 99/331-332,
99/357, 375, 385; 219/214, 386, 388, 405,
219/443.1, 450.1, 492, 532

See application file for complete search history.

(56) **References Cited**

U.S. PATENT DOCUMENTS

- D223,066 S * 3/1972 Hanson D7/329
- D228,056 S 8/1973 Koshiro
- D237,242 S * 10/1975 Claxton D7/350.4
- D241,602 S * 9/1976 Hanson D7/350.4
- D381,861 S 8/1997 Rorke et al.
- D393,395 S 4/1998 Tanaka et al.
- D412,637 S 8/1999 Piret
- D415,926 S * 11/1999 De'Longhi D7/350.4
- D427,838 S * 7/2000 Lee D7/329
- D439,467 S 3/2001 Hsu
- D447,905 S 9/2001 Smith-Berry et al.
- D461,091 S * 8/2002 Chen D7/350.4

- D465,690 S * 11/2002 Ancona et al. D7/329
- D479,943 S * 9/2003 Smith-Berry et al. D7/350.4
- D480,594 S * 10/2003 Ancona et al. D7/329
- D501,356 S 2/2005 Averty
- D521,799 S 5/2006 Ledingham et al.
- 7,105,778 B1 * 9/2006 DeLong et al. 219/386
- D534,029 S 12/2006 Wright
- D549,034 S * 8/2007 Garman et al. D7/329
- D569,675 S * 5/2008 Sumser et al. D7/350.4
- D570,638 S * 6/2008 Barnes D7/329

* cited by examiner

Primary Examiner—Caron Veynar

Assistant Examiner—Ricky Pham

(74) *Attorney, Agent, or Firm*—Panitch Schwarze Belisario & Nadel LLP

(57) **CLAIM**

The ornamental design for a combination toaster and oven, as shown and described.

DESCRIPTION

FIG. 1 is a front right perspective view of a combination toaster and oven in accordance with my new design;

FIG. 2 is a front elevation view thereof;

FIG. 3 is a rear elevation view thereof;

FIG. 4 is a right side elevation view thereof;

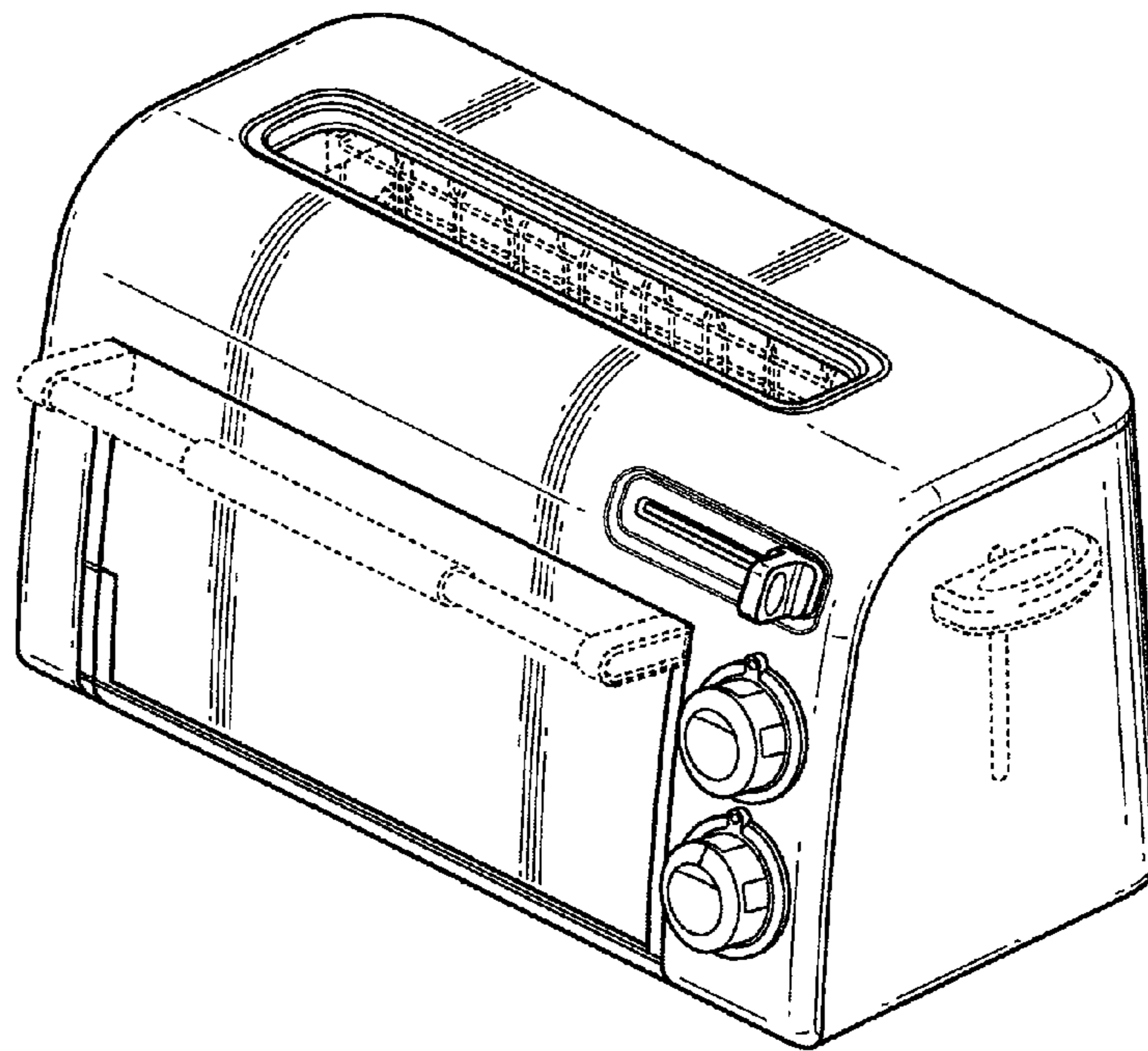
FIG. 5 is a left side elevation view thereof;

FIG. 6 is a top plan view thereof; and,

FIG. 7 is a bottom plan view thereof.

The broken lines in the figures are for illustrative purposes only and form no part of the claimed design.

1 Claim, 4 Drawing Sheets



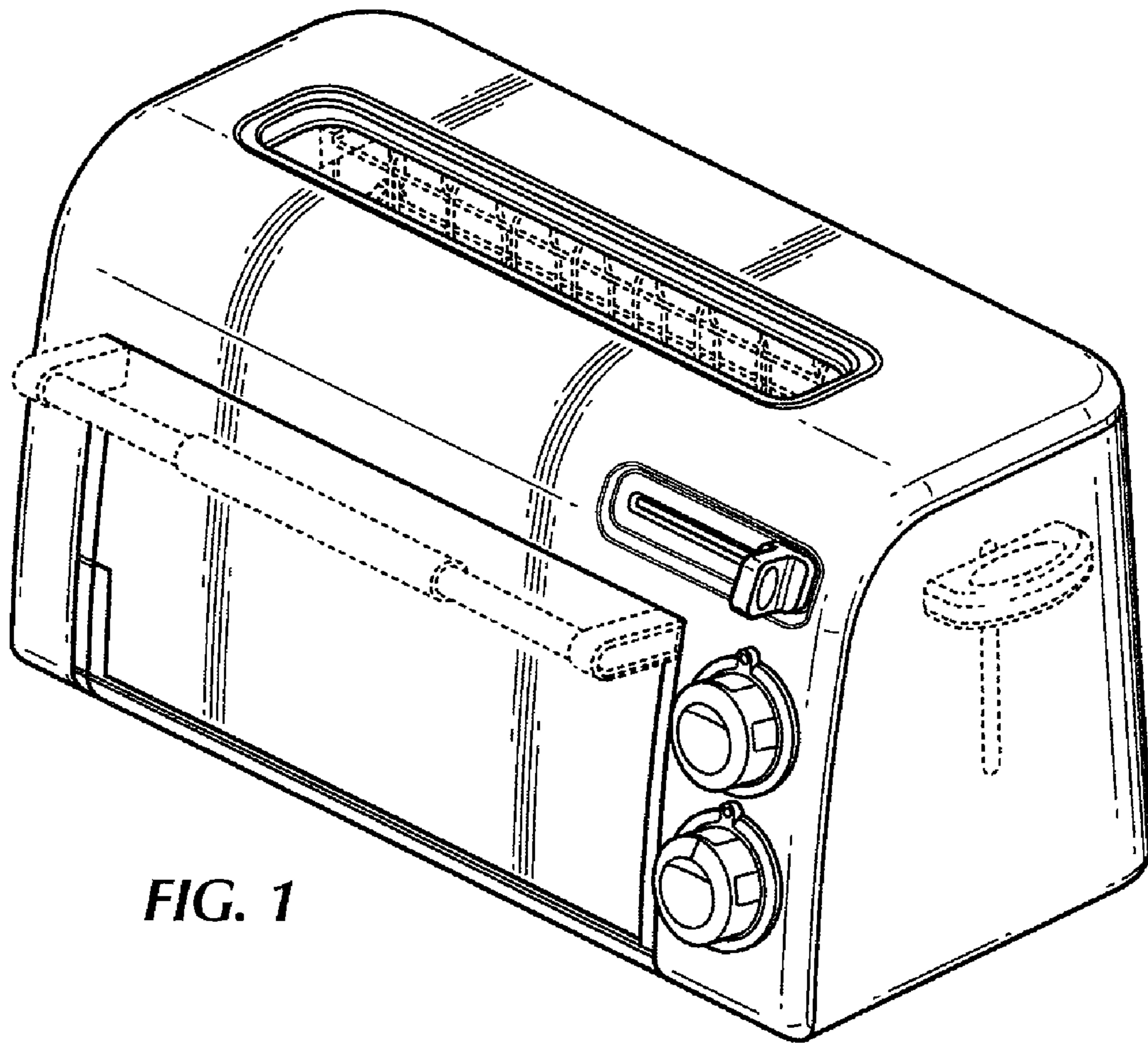


FIG. 1

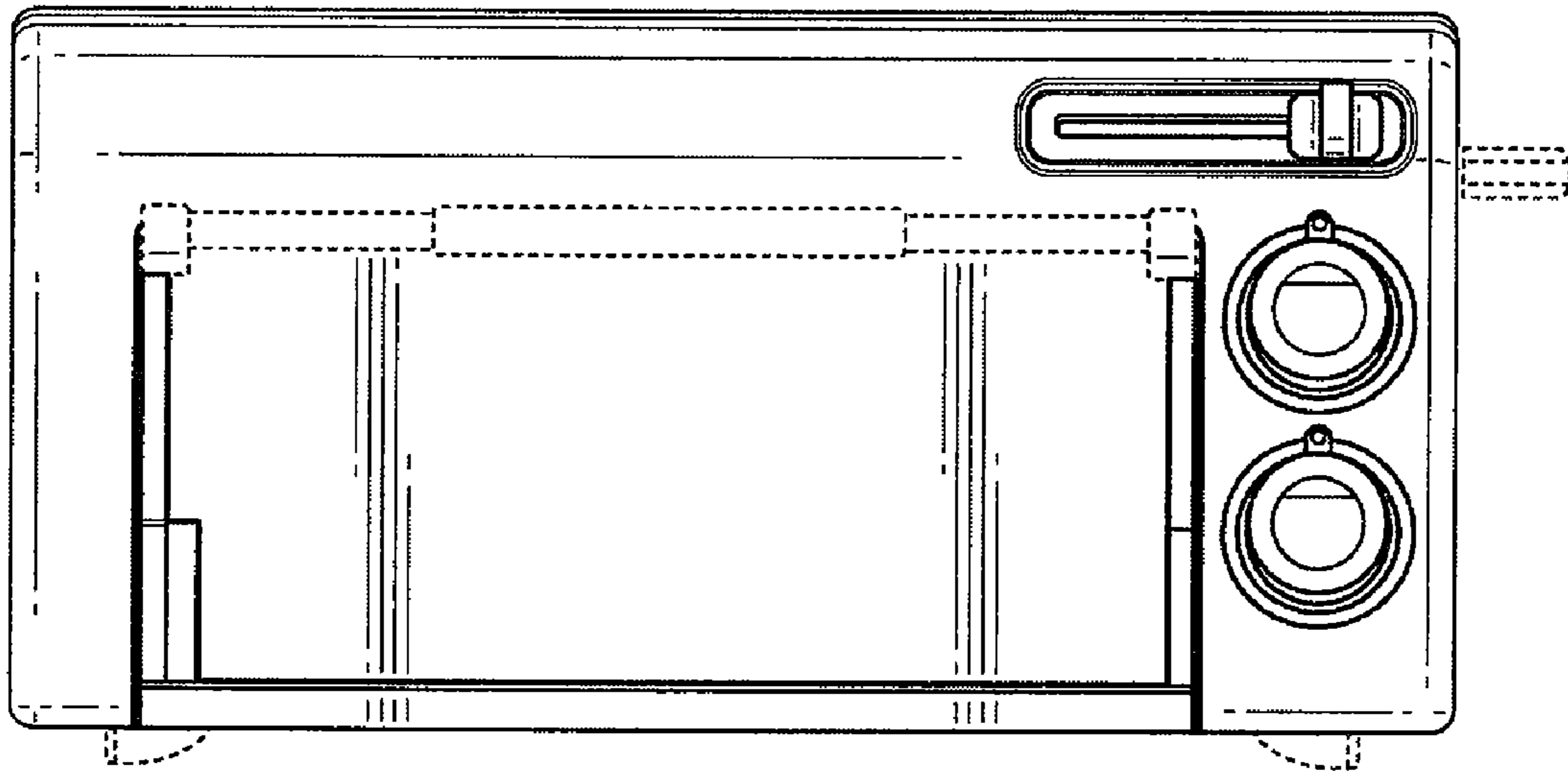


FIG. 2

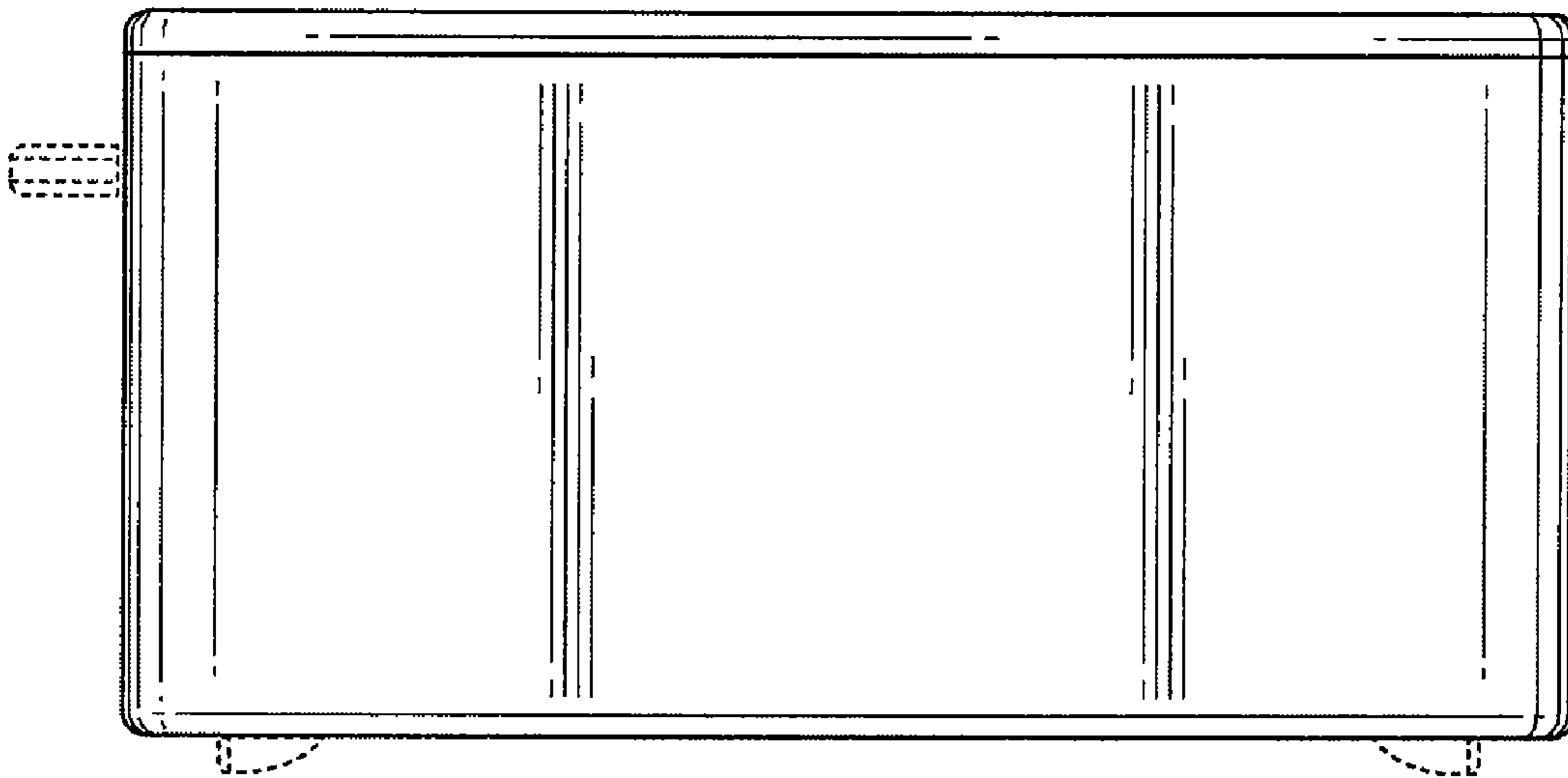


FIG. 3

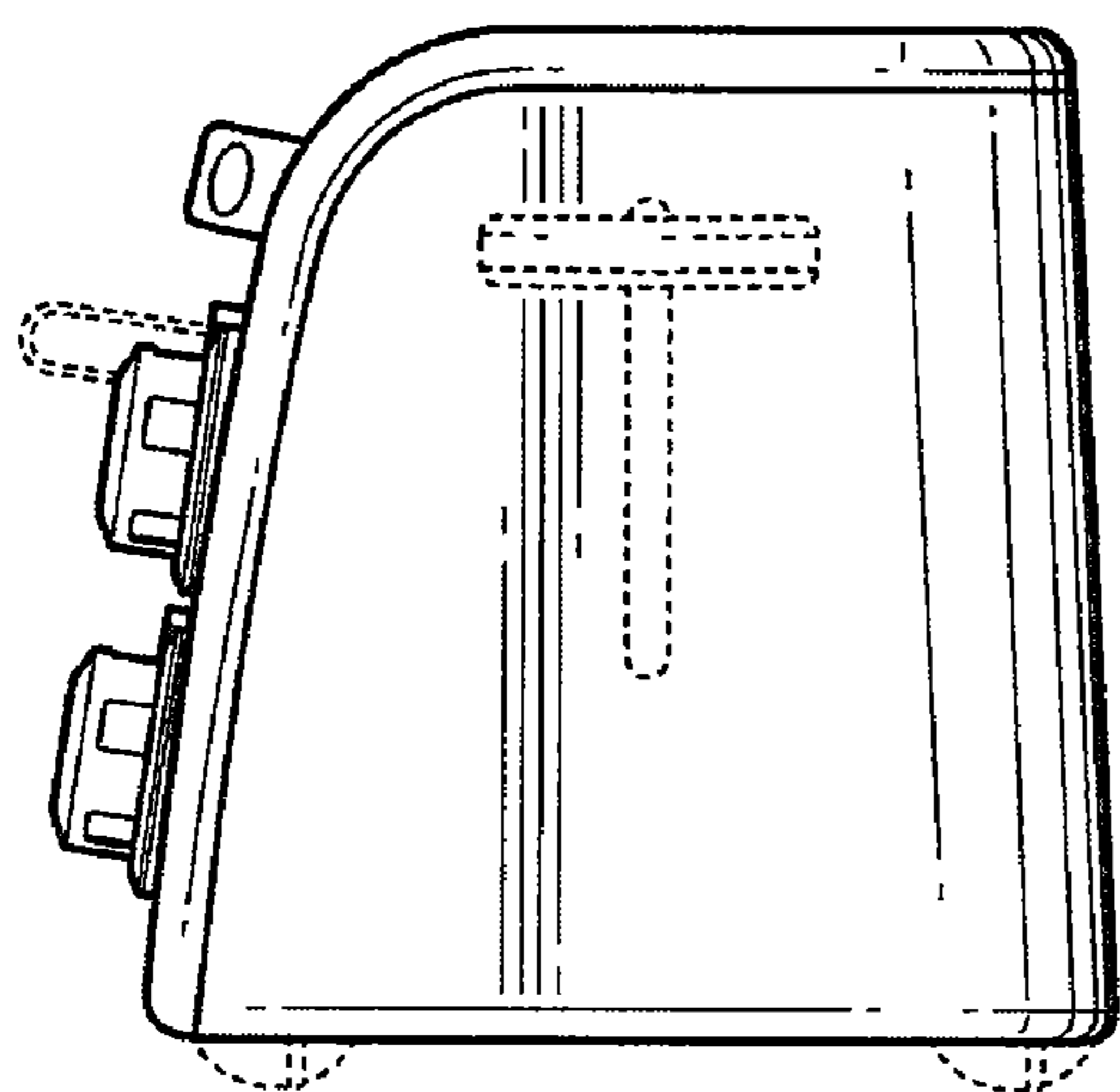


FIG. 4

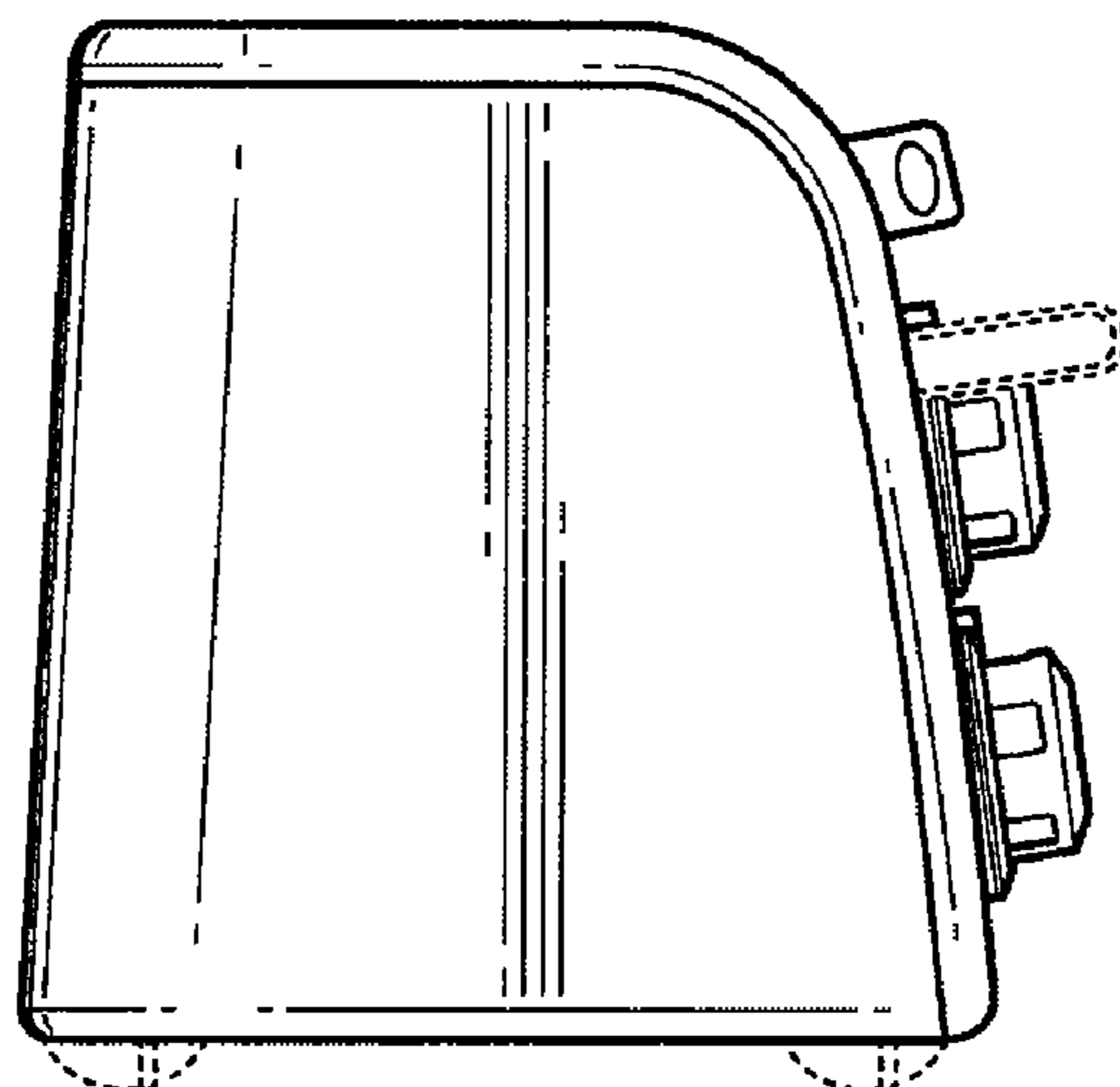


FIG. 5

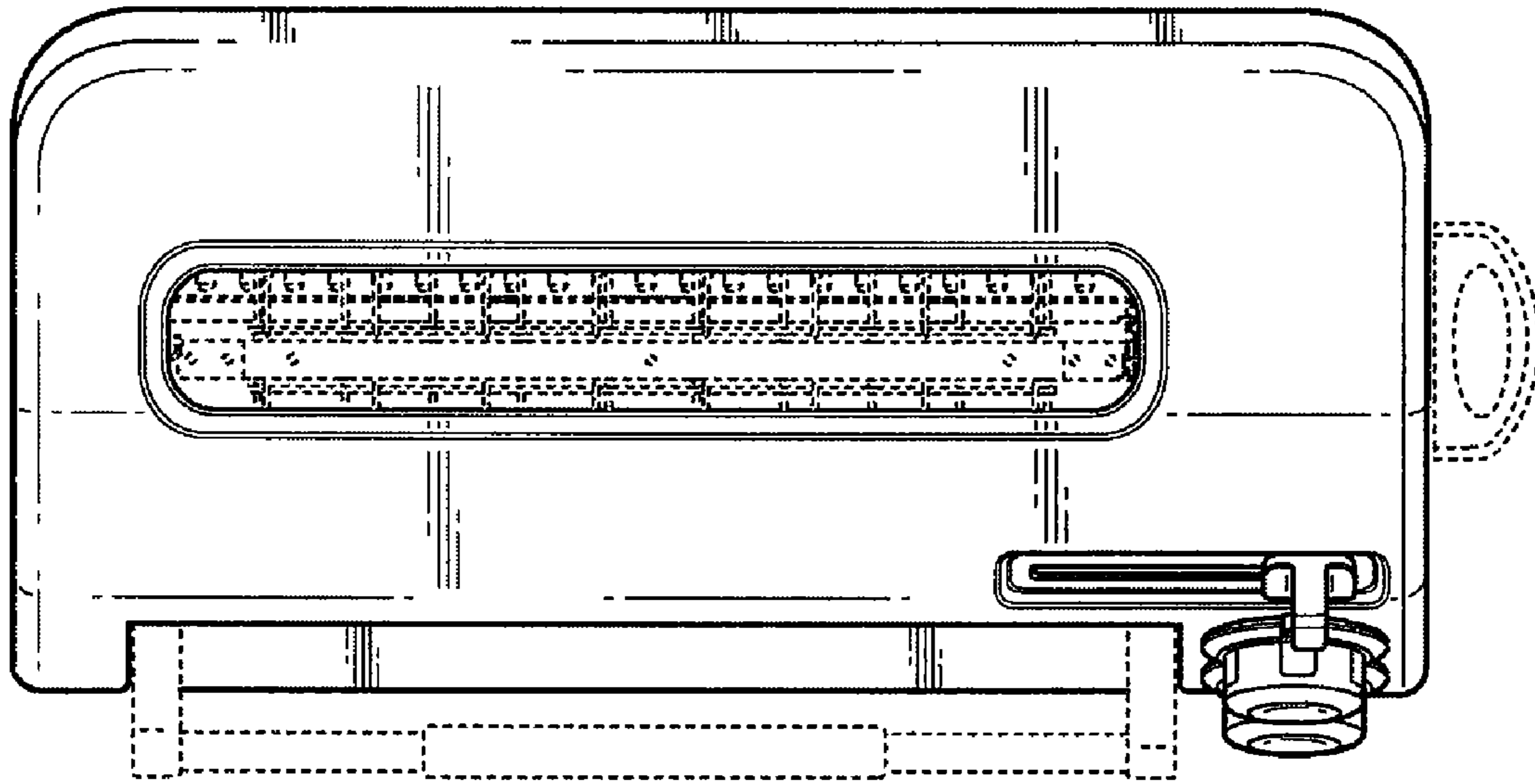


FIG. 6

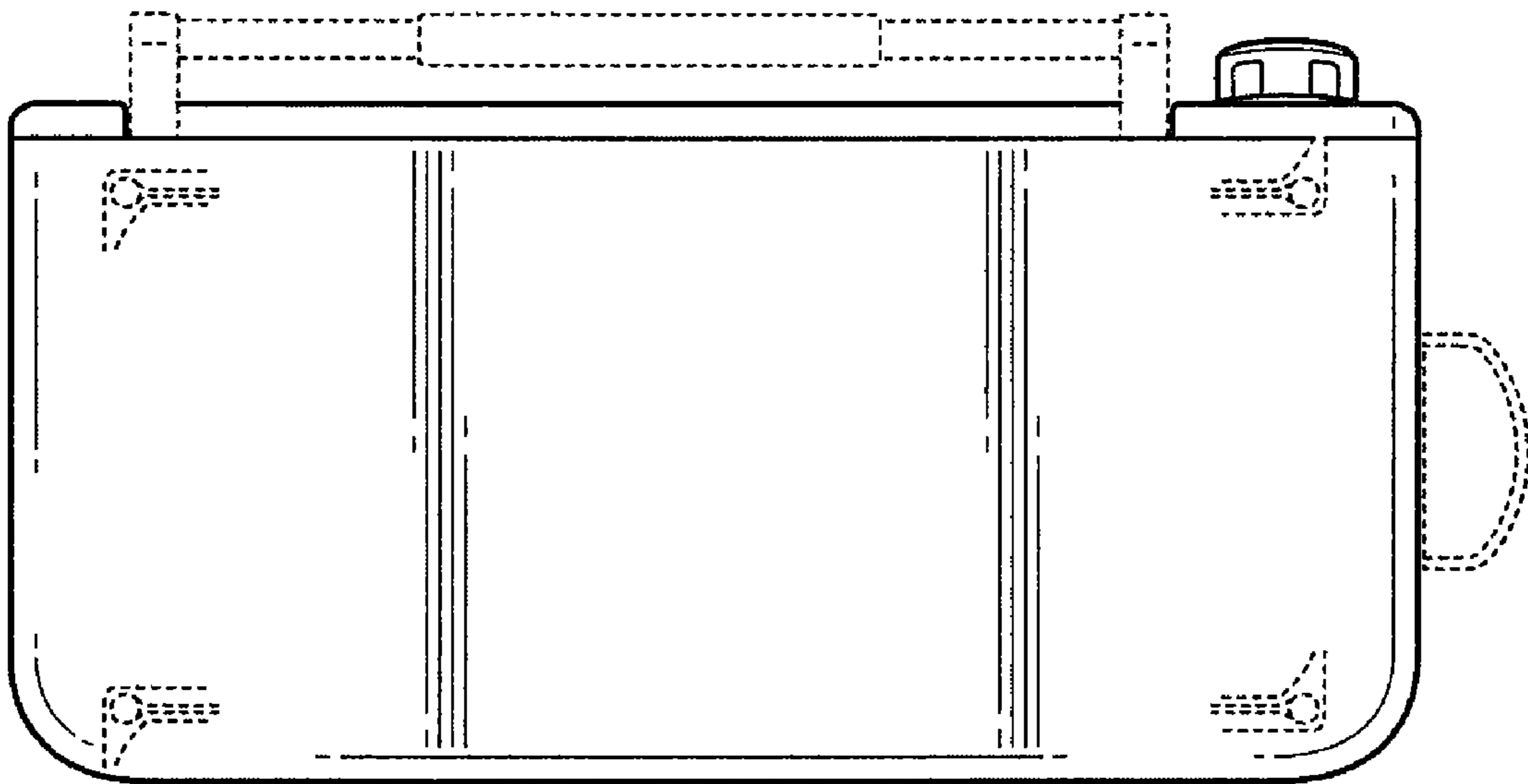


FIG. 7