



US00D583183S

(12) **United States Design Patent**  
**Roth et al.**

(10) **Patent No.:** **US D583,183 S**  
(45) **Date of Patent:** **\*\* Dec. 23, 2008**

(54) **TUBE ALIGNMENT BRACKET**

(76) Inventors: **Donna Roth**, 10 Cordage Park Cir.,  
Suite 212, Plymouth, MA (US) 02360;  
**Henry Roth**, 10 Cordage Park Cir., Suite  
212, Plymouth, MA (US) 02360

(\*\*) Term: **14 Years**

(21) Appl. No.: **29/298,790**

(22) Filed: **Dec. 13, 2007**

(51) **LOC (8) Cl.** ..... **07-06**

(52) **U.S. Cl.** ..... **D7/300.2**

(58) **Field of Classification Search** ..... D10/46;  
D7/900, 510, 511, 509, 397, 317, 392.1, 314,  
D7/396.2, 312, 300.2, 619.1, 507; D9/499,  
D9/453, 452, 449, 447, 446, 443, 435, 450,  
D9/444, 440, 436, 717, 715; 220/711, 713,  
220/709, 705, 253, 710, 708, 707, 706, 710.5,  
220/745, 203.05–203.07, 203.19, 203.22,  
220/231, 232, 259.2, 259.3, 360, 361, 367.1,  
220/373, 714, 725, 726, 728, 254.2, 254.3,  
220/254.8; 222/527, 529, 530, 570, 568,  
222/567; 239/29.3, 33; 221/63  
See application file for complete search history.

(56) **References Cited**

**U.S. PATENT DOCUMENTS**

7,097,065 B2 \* 8/2006 Yoneoka et al. .... 220/709  
D530,568 S \* 10/2006 Wingenter ..... D7/507  
7,156,264 B2 \* 1/2007 Ver Hage ..... 222/464.1

\* cited by examiner

*Primary Examiner*—Antoine D Davis

(74) *Attorney, Agent, or Firm*—Garcia-Zamor IP Law; Ruy  
M. Garcia-Zamor

(57) **CLAIM**

The ornamental design for a tube alignment bracket, as shown  
and described.

**DESCRIPTION**

FIG. 1 is a first perspective view of a tube alignment bracket  
according to a first preferred embodiment of our new design;

FIG. 2 is second perspective view of the tube alignment  
bracket of FIG. 1;

FIG. 3 is a top plan view of the tube alignment bracket of FIG.  
1;

FIG. 4 is a front elevational view of the tube alignment  
bracket of FIG. 1;

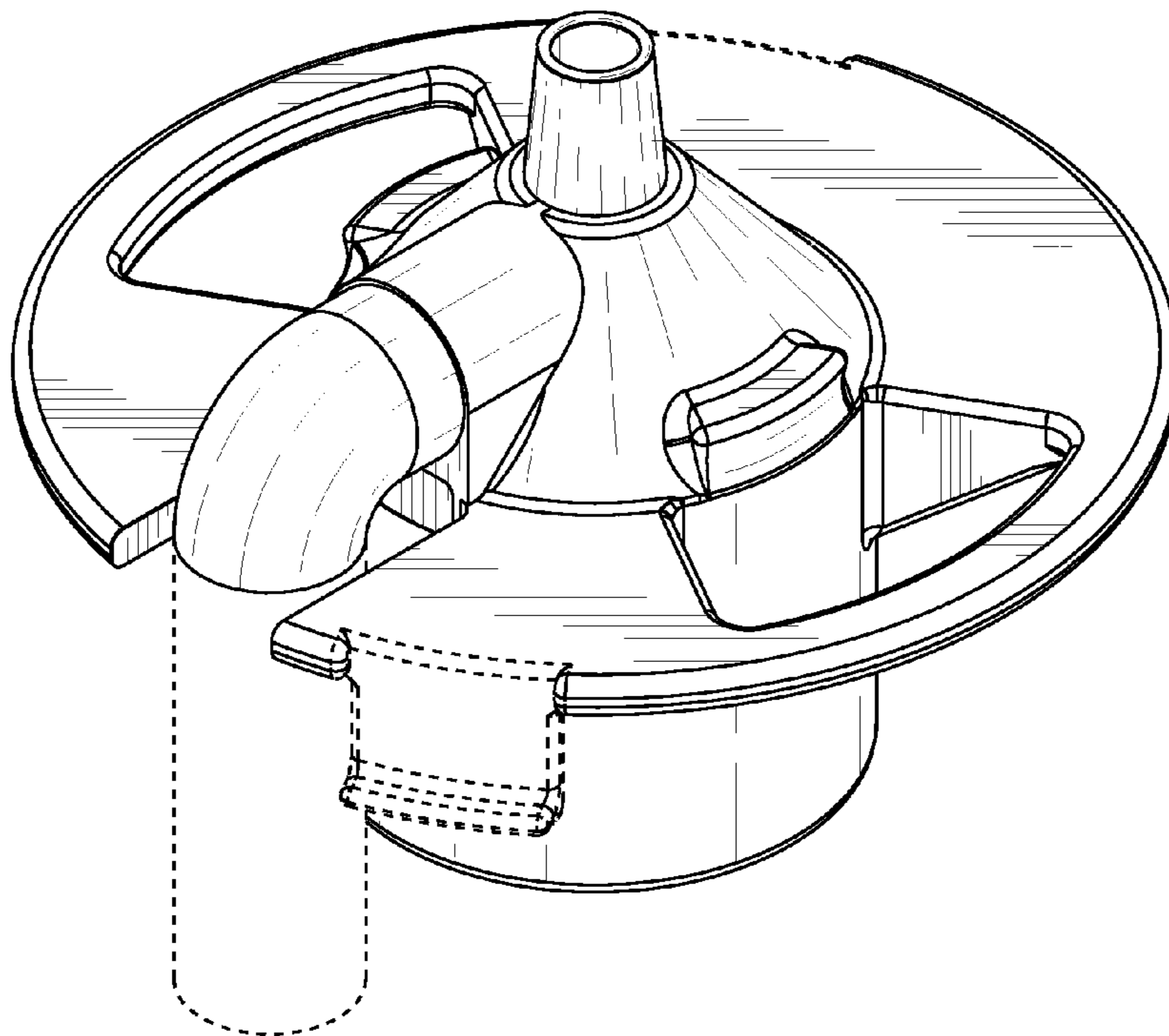
FIG. 5 is a left side elevational view of the tube alignment  
bracket of FIG. 1;

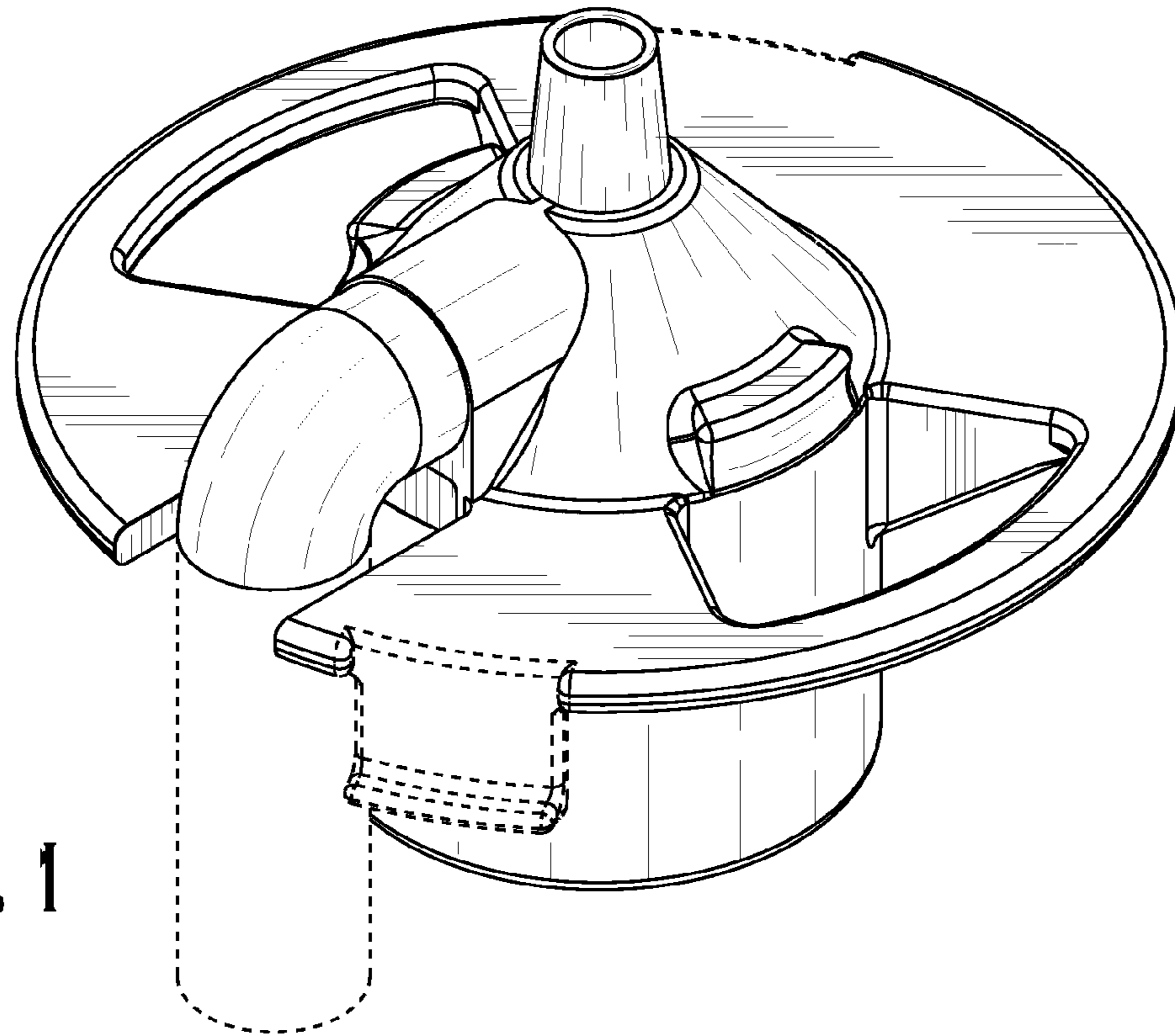
FIG. 6 is a rear elevational of the tube alignment bracket of  
FIG. 1;

FIG. 7 is a right side elevational view of the tube alignment  
bracket of FIG. 1; and,

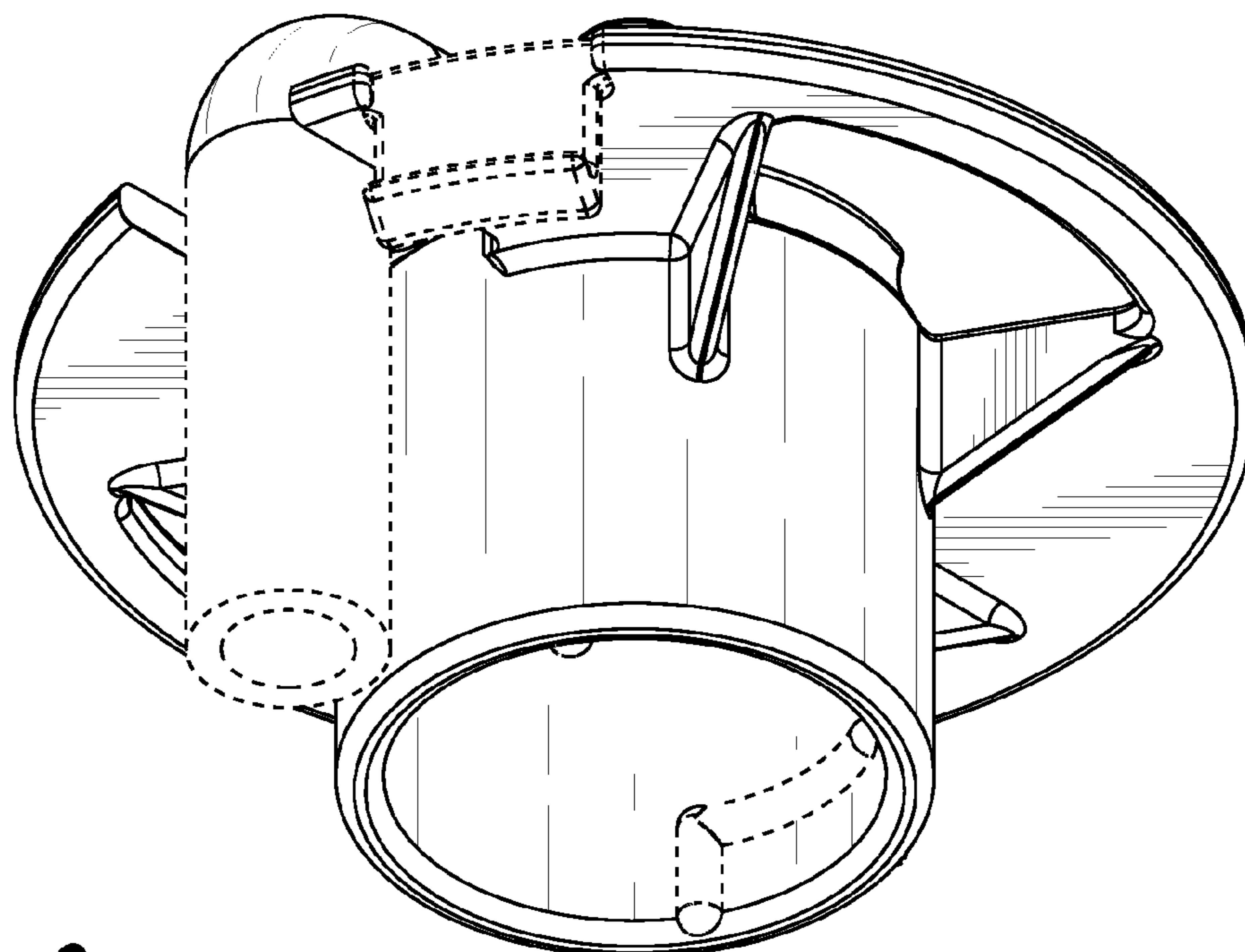
FIG. 8 is a bottom plan view of the tube alignment bracket of  
FIG. 1.

**1 Claim, 4 Drawing Sheets**



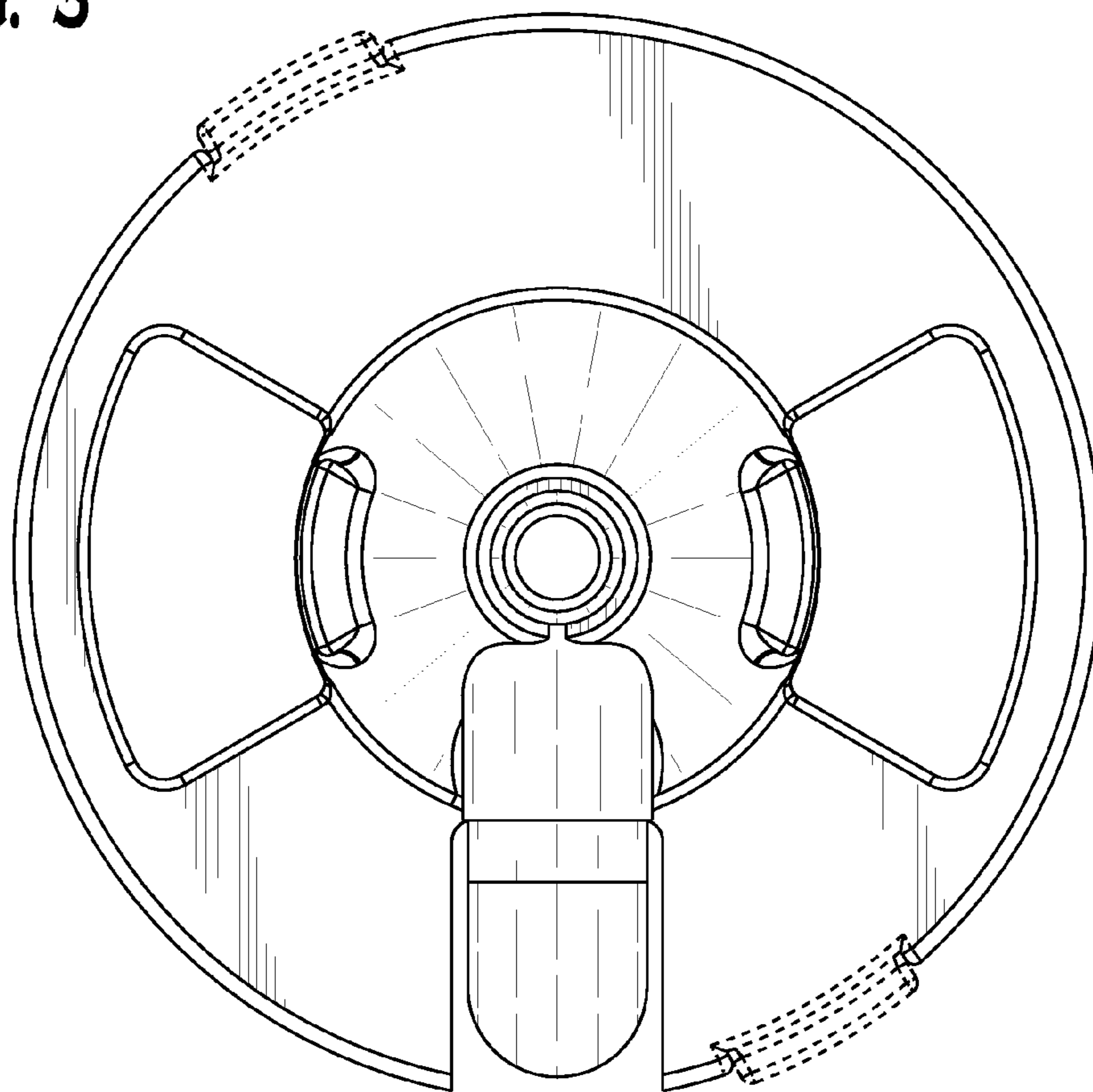


**FIG. 1**

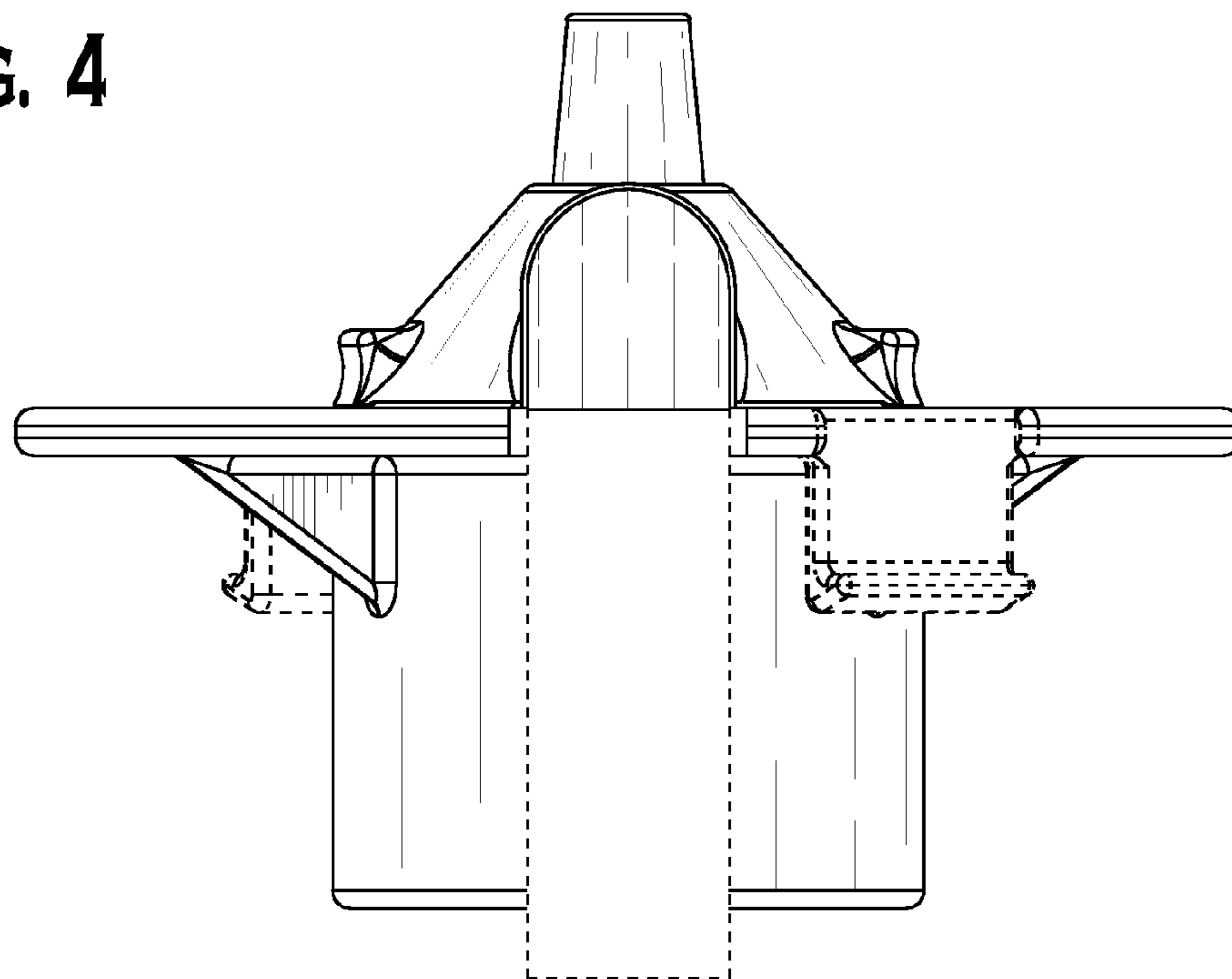


**FIG. 2**

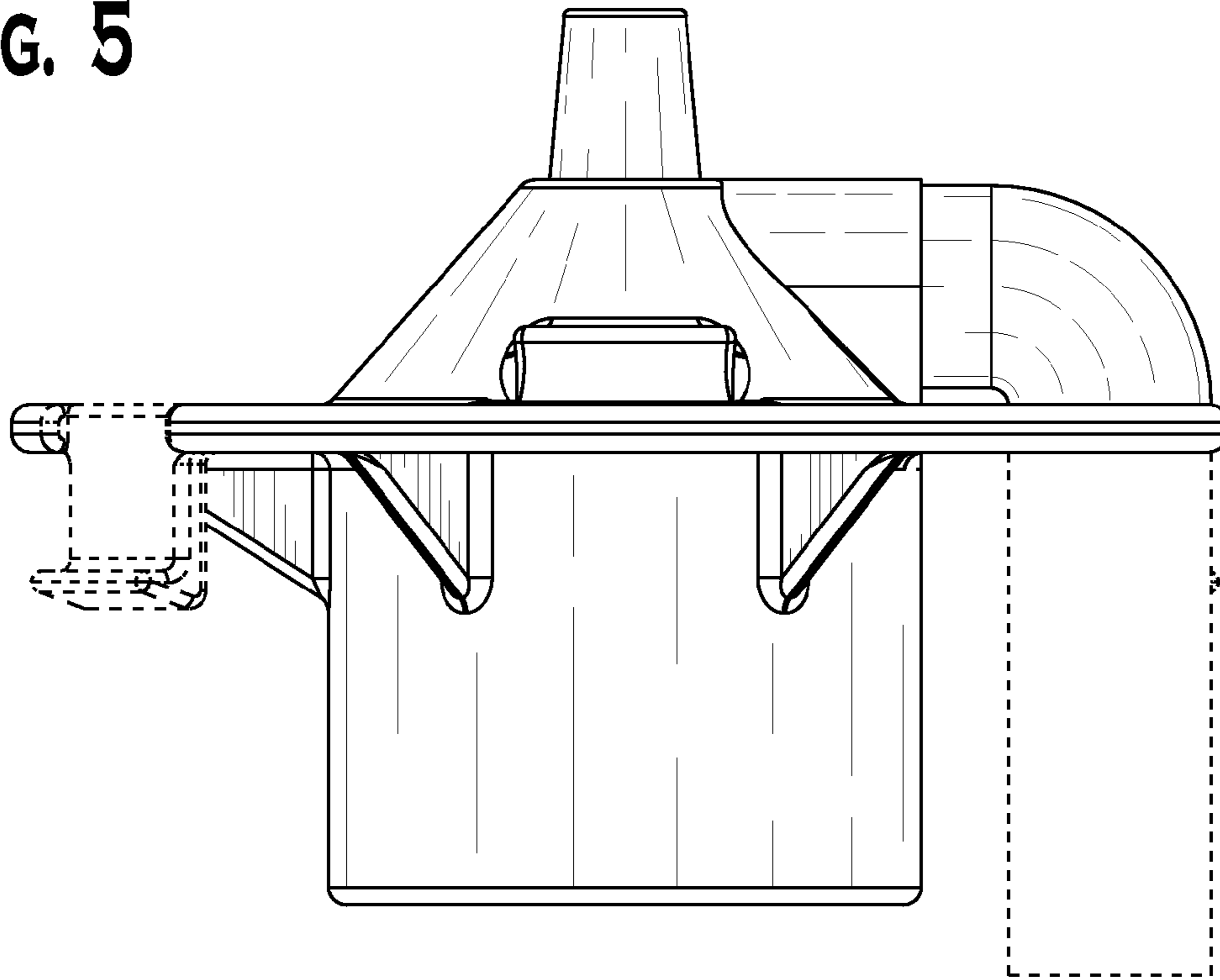
**FIG. 3**



**FIG. 4**



**FIG. 5**



**FIG. 6**

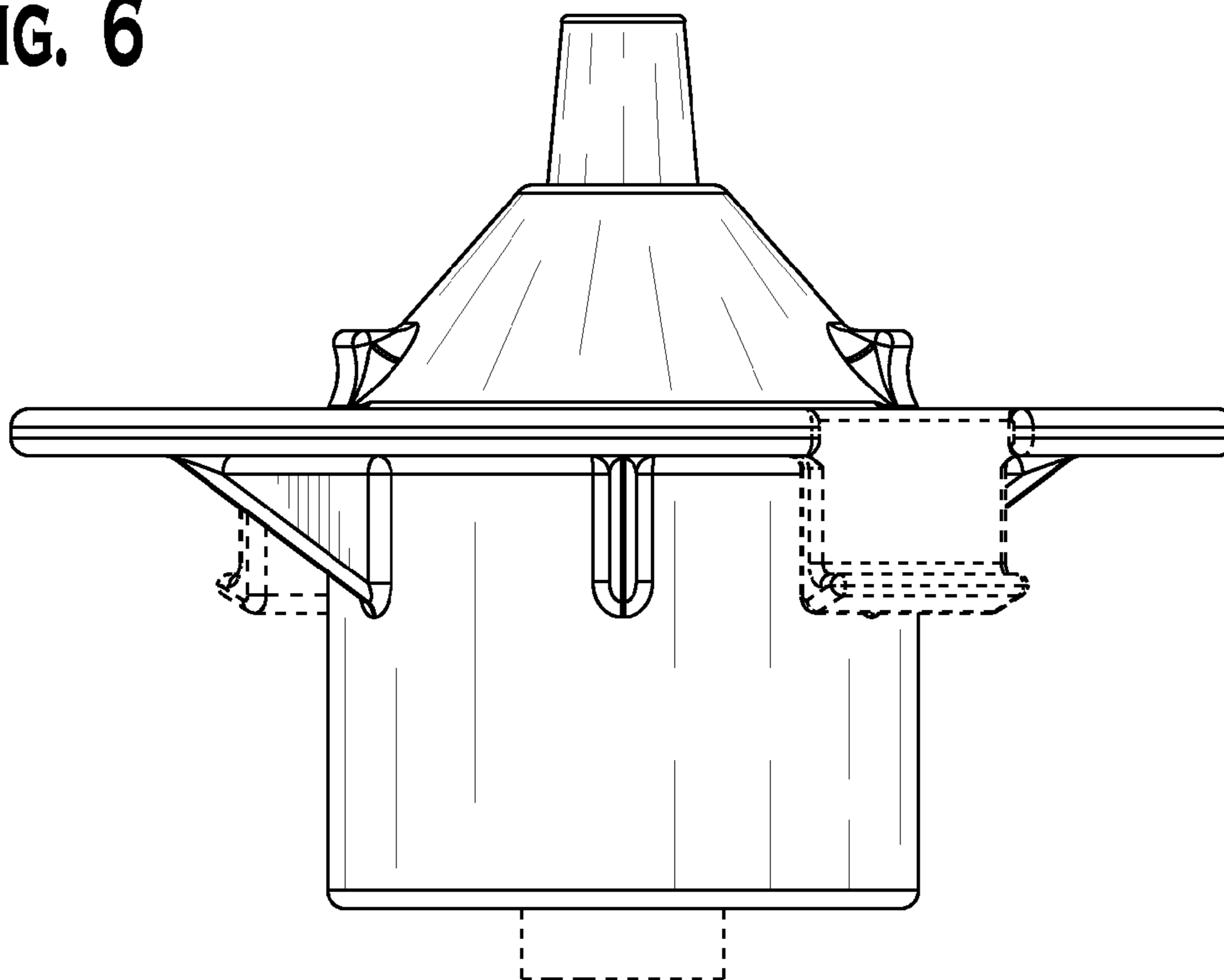


FIG. 7

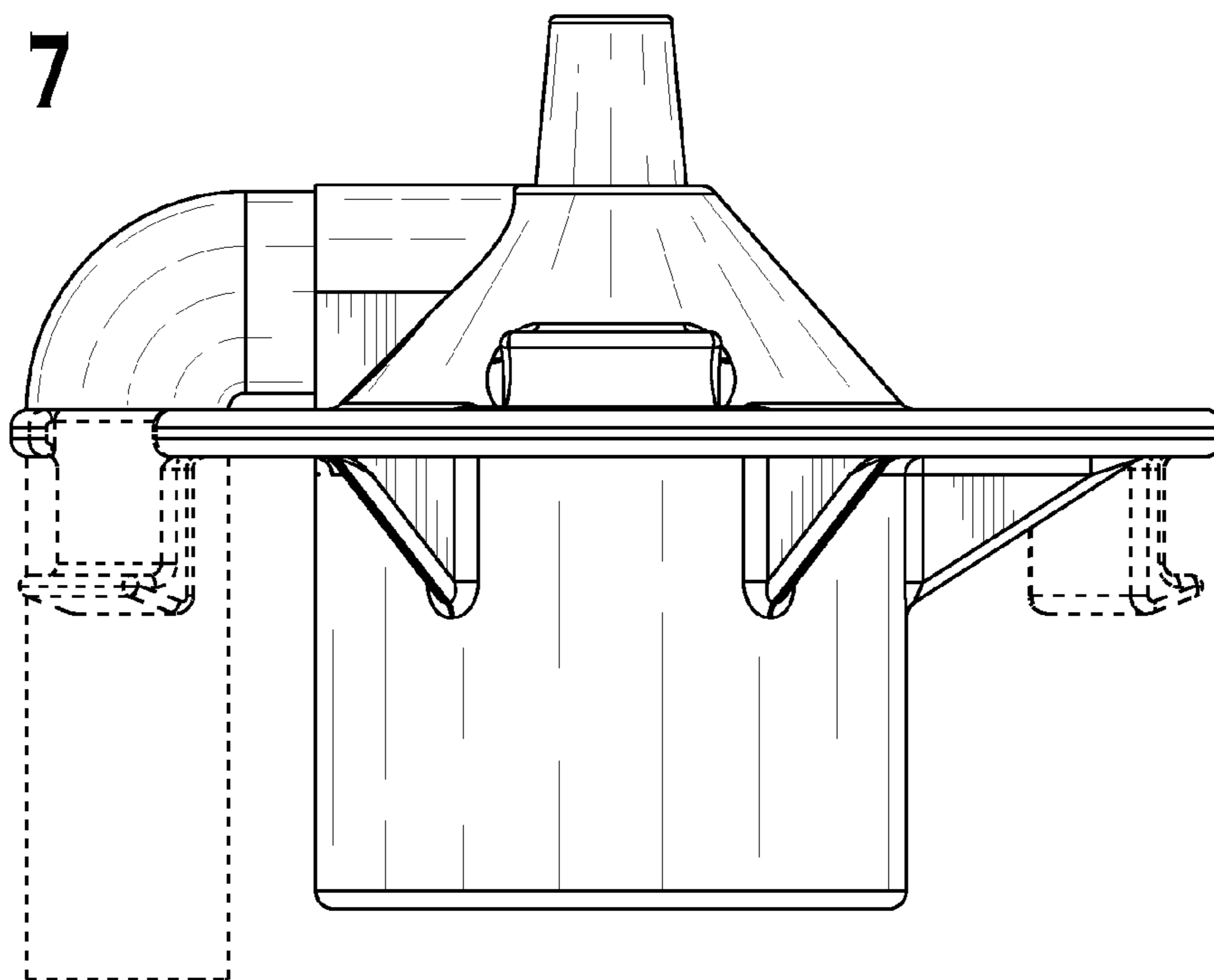


FIG. 8

