



US00D583180S

(12) **United States Design Patent**
Haile

(10) **Patent No.:** **US D583,180 S**

(45) **Date of Patent:** **** Dec. 23, 2008**

(54) **CIRCLE NESTING PILLOW**

(76) **Inventor:** **Mariam-Sena Haile**, 262 St. James Pl.,
#1C, Brooklyn, NY (US) 11238

(**) **Term:** **14 Years**

(21) **Appl. No.:** **29/292,141**

(22) **Filed:** **Sep. 28, 2007**

(51) **LOC (8) Cl.** **06-09**

(52) **U.S. Cl.** **D6/601**

(58) **Field of Classification Search** D6/595,
D6/596, 601, 604-606; 5/630-632, 636,
5/645, 652-655, 652.1, 655.3-655.5, 722,
5/930; D19/62, 64; D21/470, 478, 479,
D21/484, 488, 491, 500; D24/183; 116/63 P;
441/127, 129

See application file for complete search history.

(56) **References Cited**

U.S. PATENT DOCUMENTS

1,742,186	A *	1/1930	Claus	5/653
2,805,428	A *	9/1957	Buchman	5/645
3,118,152	A *	1/1964	Talley, Jr.	5/631
3,848,281	A *	11/1974	Mathews	5/636
3,987,507	A *	10/1976	Hall	5/653
D270,800	S *	10/1983	Fuller	D6/596
D278,779	S *	5/1985	Sink	D6/596
4,866,800	A *	9/1989	Bedford	5/652.1

D349,145	S *	7/1994	Haughey	D21/809
6,581,229	B2 *	6/2003	Bernstein	5/722
D482,080	S *	11/2003	Godin	D21/470
6,760,935	B1 *	7/2004	Burton et al.	5/645
6,761,604	B1 *	7/2004	Hronek	441/129
D546,106	S *	7/2007	Haile	D6/601
2002/0096102	A1 *	7/2002	Sloot	116/63 P
2002/0108179	A1 *	8/2002	Kiser	5/654
2004/0172762	A1 *	9/2004	Lenyo	5/655

* cited by examiner

Primary Examiner—Caron D. Veynar

Assistant Examiner—Mary Ann Calabrese

(74) *Attorney, Agent, or Firm*—Powley & Gibson P.C.

(57) **CLAIM**

I claim the ornamental design for circle nesting pillow, as shown and described.

DESCRIPTION

FIG. 1 is an exploded front, side perspective view of the circle nesting pillows, showing my new design;

FIG. 2 is a front, side perspective view thereof; in an alternate position of use;

FIG. 3 is a front view thereof; the back being identical thereto; and,

FIG. 4 is a side view thereof; with all four sides being the same.

1 Claim, 2 Drawing Sheets

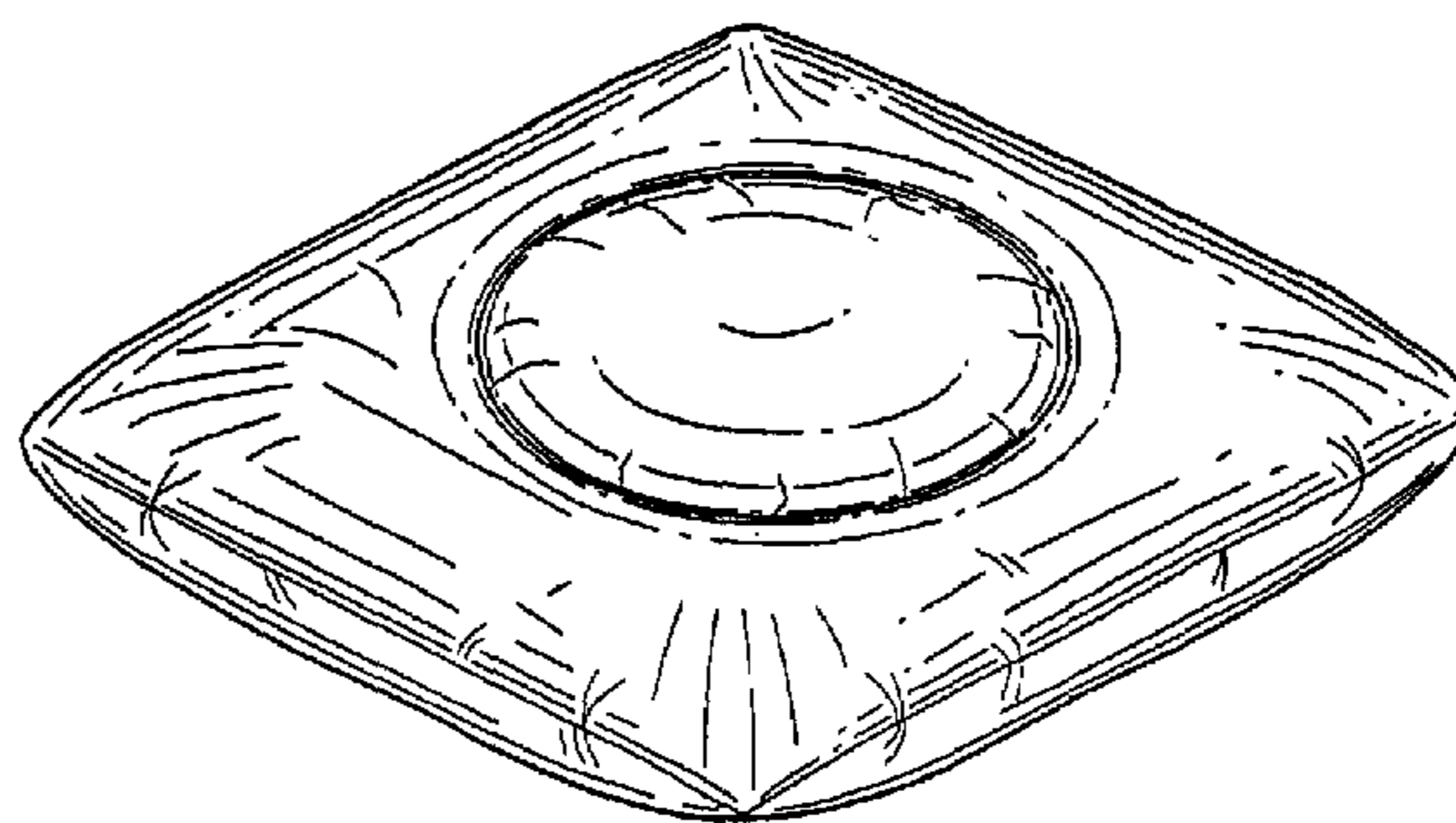
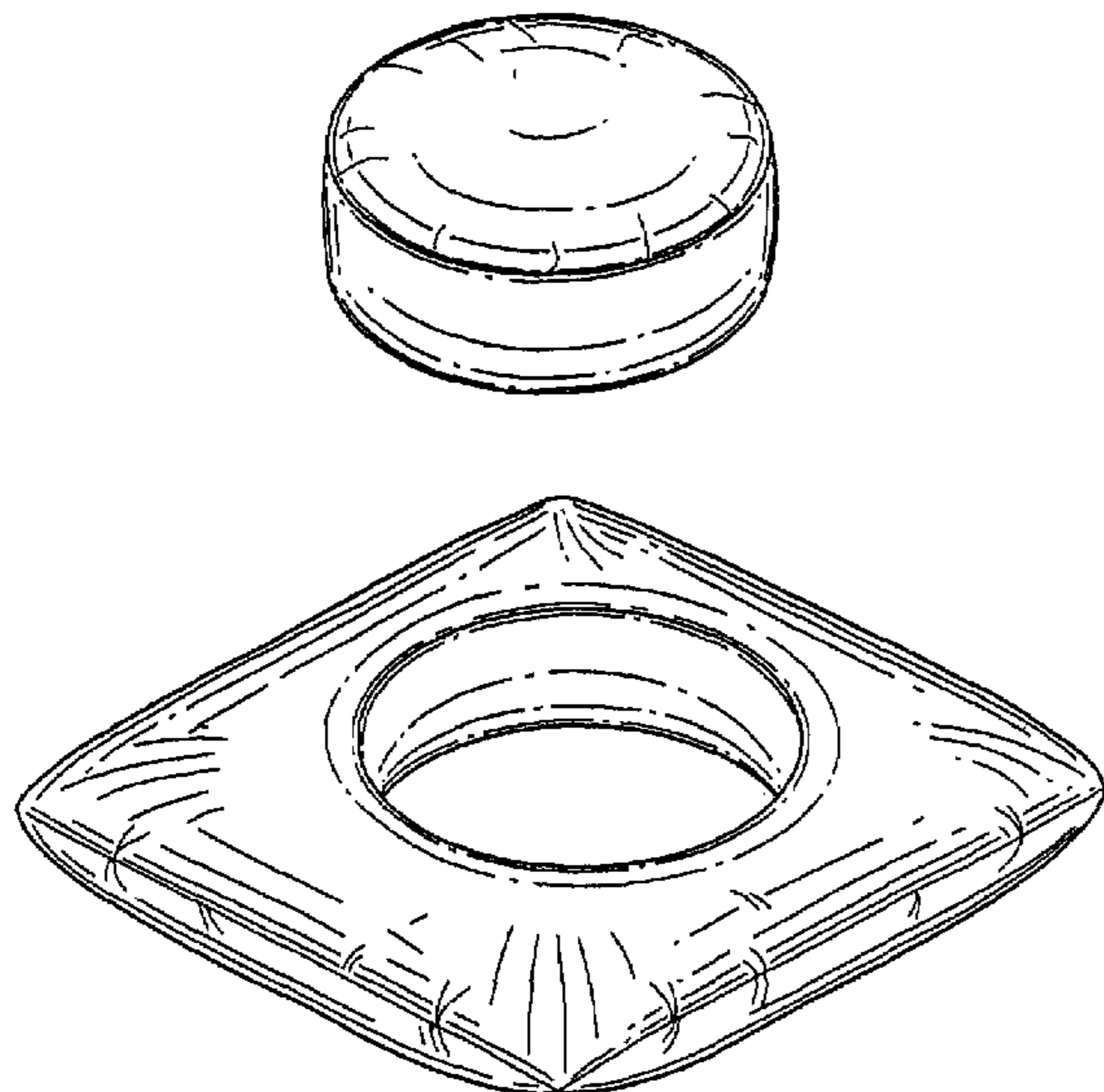


FIG. 1

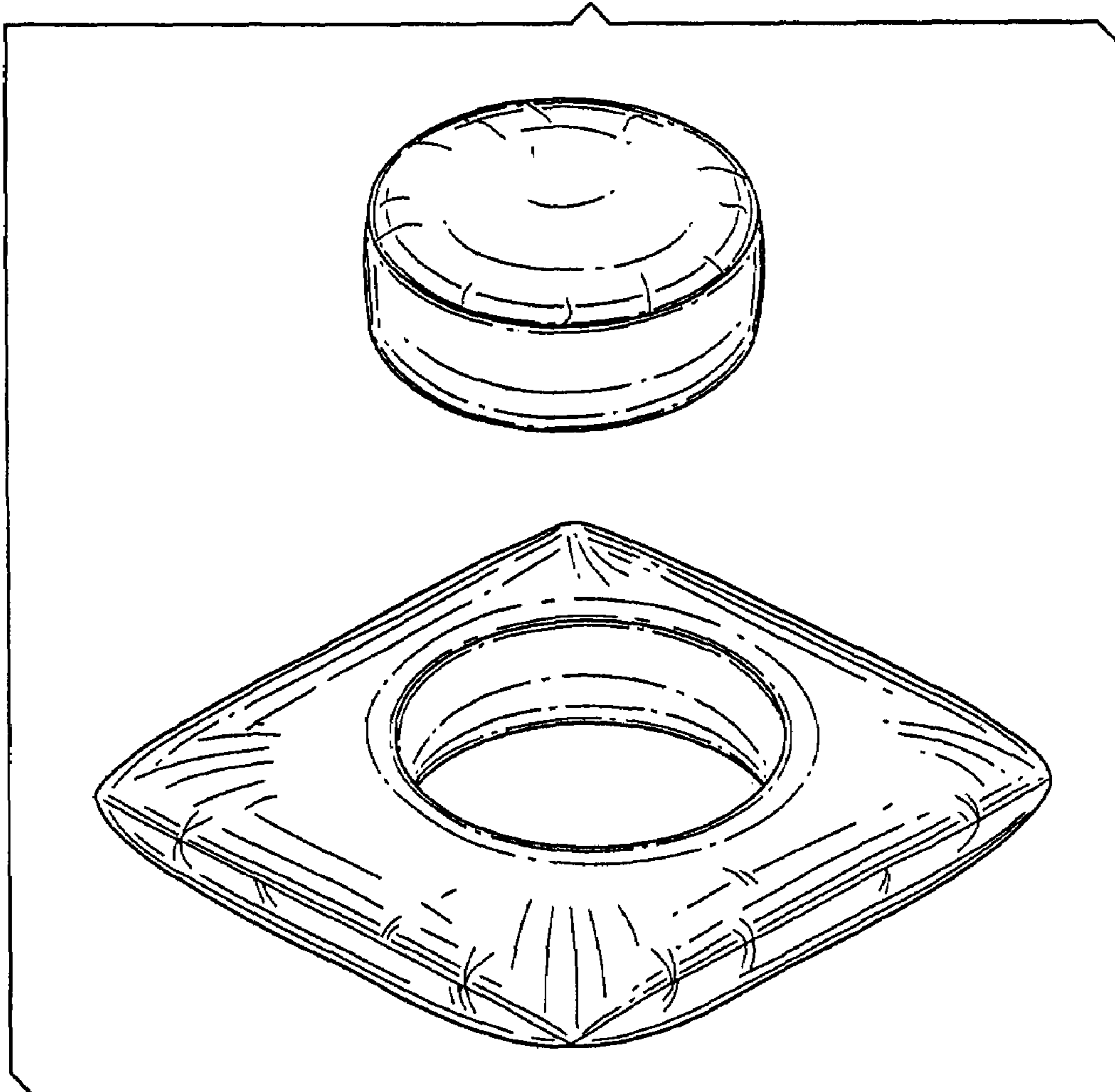


FIG. 2

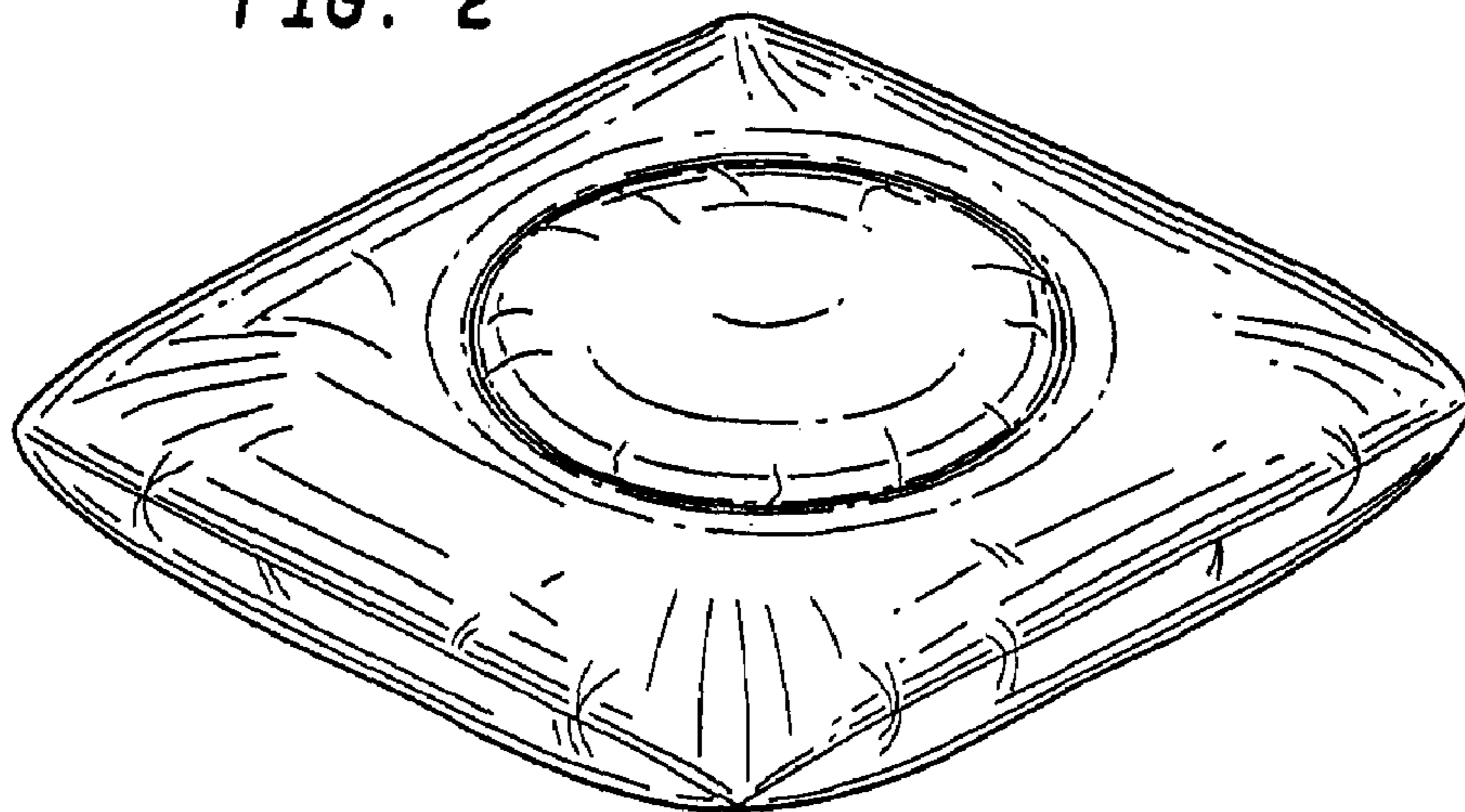


FIG. 3

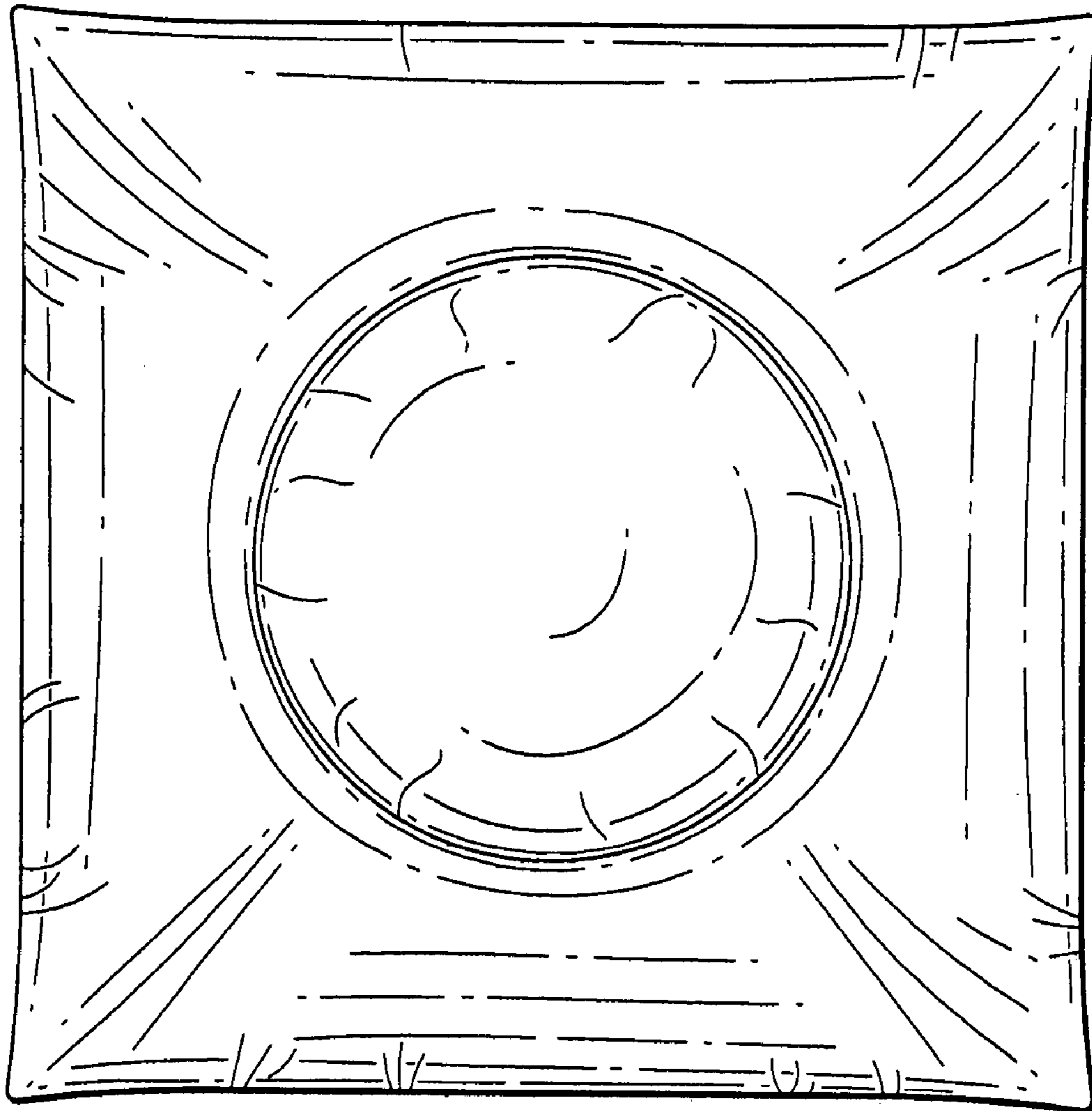


FIG. 4

