



US00D583178S

(12) **United States Design Patent**
Blunston

(10) **Patent No.:** **US D583,178 S**
(45) **Date of Patent:** **** Dec. 23, 2008**

(54) **HEAD SUPPORT SYSTEM FOR CHILD CARRIERS**

(76) Inventor: **Colette L. Blunston**, 184 Adolphus Street, St. Andrews, NB (CA) E5B 1T7

(**) Term: **14 Years**

(21) Appl. No.: **29/286,993**

(22) Filed: **May 25, 2007**

(51) **LOC (8) Cl.** **06-09**

(52) **U.S. Cl.** **D6/601; D6/333**

(58) **Field of Classification Search** D6/595-598, D6/601, 604, 605, 333; 5/630, 633, 636, 5/644, 652, 653, 655, 655.3, 655.9, 907; D24/183; D21/803; 297/391, 392, 284.9
See application file for complete search history.

(56) **References Cited**

U.S. PATENT DOCUMENTS

2,765,480	A *	10/1956	Mueller	5/640
2,952,856	A *	9/1960	Ruff	5/640
4,838,611	A	6/1989	Talaugon		
D370,585	S	6/1996	Faithfull		
D395,781	S	7/1998	Golder		
5,829,829	A	11/1998	Celestina-Krevh		
D405,308	S *	2/1999	Orozco	D6/601
D427,473	S	7/2000	Reithmeier		
6,139,100	A	10/2000	Baskin-Lockman et al.		

D458,503	S *	6/2002	Norman	D6/611
6,485,101	B2	11/2002	Kassai et al.		
6,523,901	B2	2/2003	Smith		
6,644,747	B2	11/2003	Jones		
D485,724	S *	1/2004	Morikawa	D6/601
6,789,851	B2	9/2004	Smith		
D523,679	S *	6/2006	Illingworth	D6/601

* cited by examiner

Primary Examiner—Janice E Seeger

(74) *Attorney, Agent, or Firm*—Robert C. Montgomery

(57) **CLAIM**

The ornamental design for a head support system for child carriers, as shown and described.

DESCRIPTION

FIG. 1 is a perspective view of a head support system for child carriers in a fully installed orientation;

FIG. 2 is perspective view of a head support system for child carriers in a detached orientation;

FIG. 3 is a top view of a head support system for child carriers in a fully installed orientation,

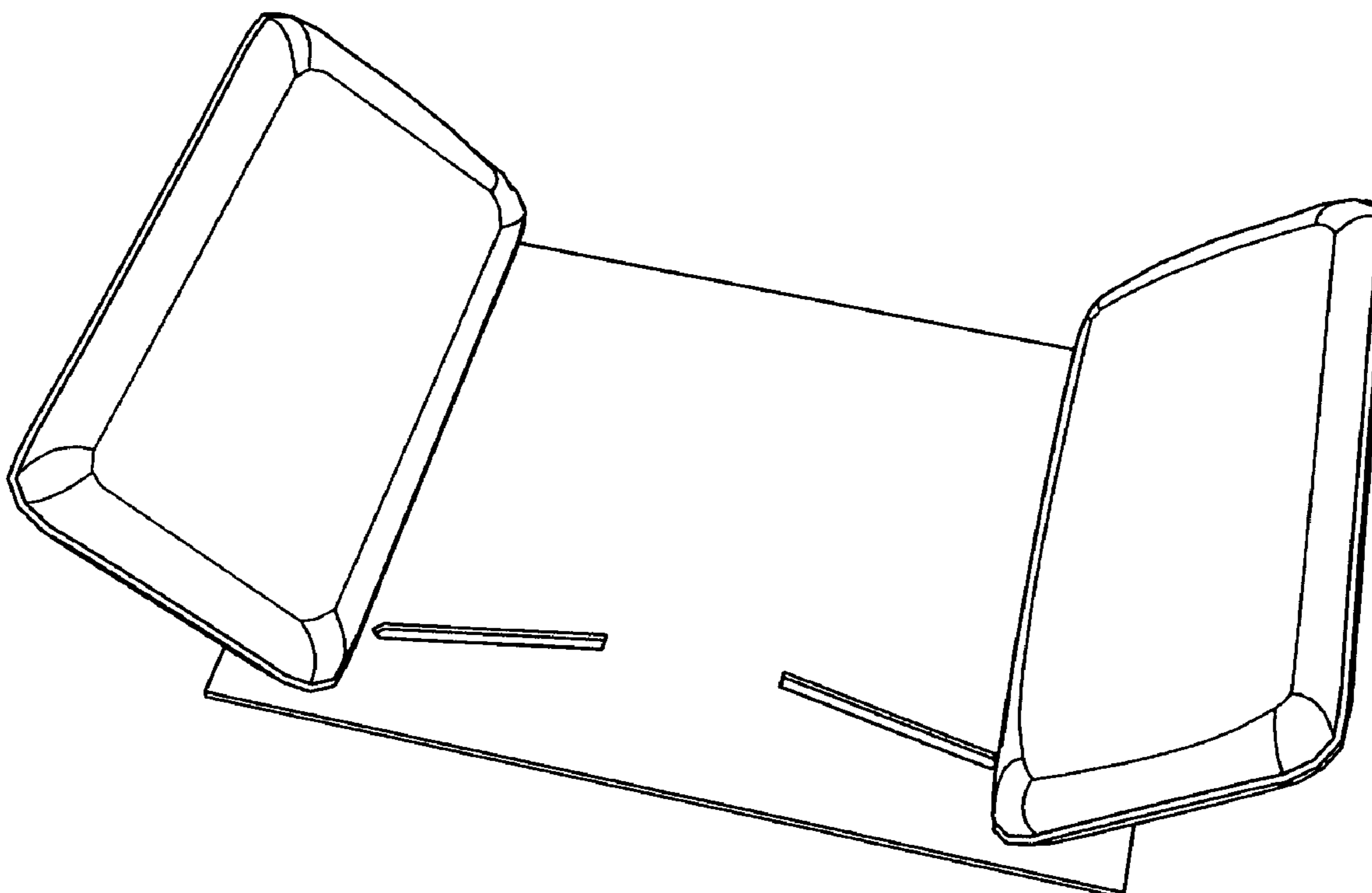
FIG. 4 is a bottom view thereof;

FIG. 5 is a left-hand side view thereof;

FIG. 6 is a front view thereof; and,

FIG. 7 is a rear view thereof.

1 Claim, 5 Drawing Sheets



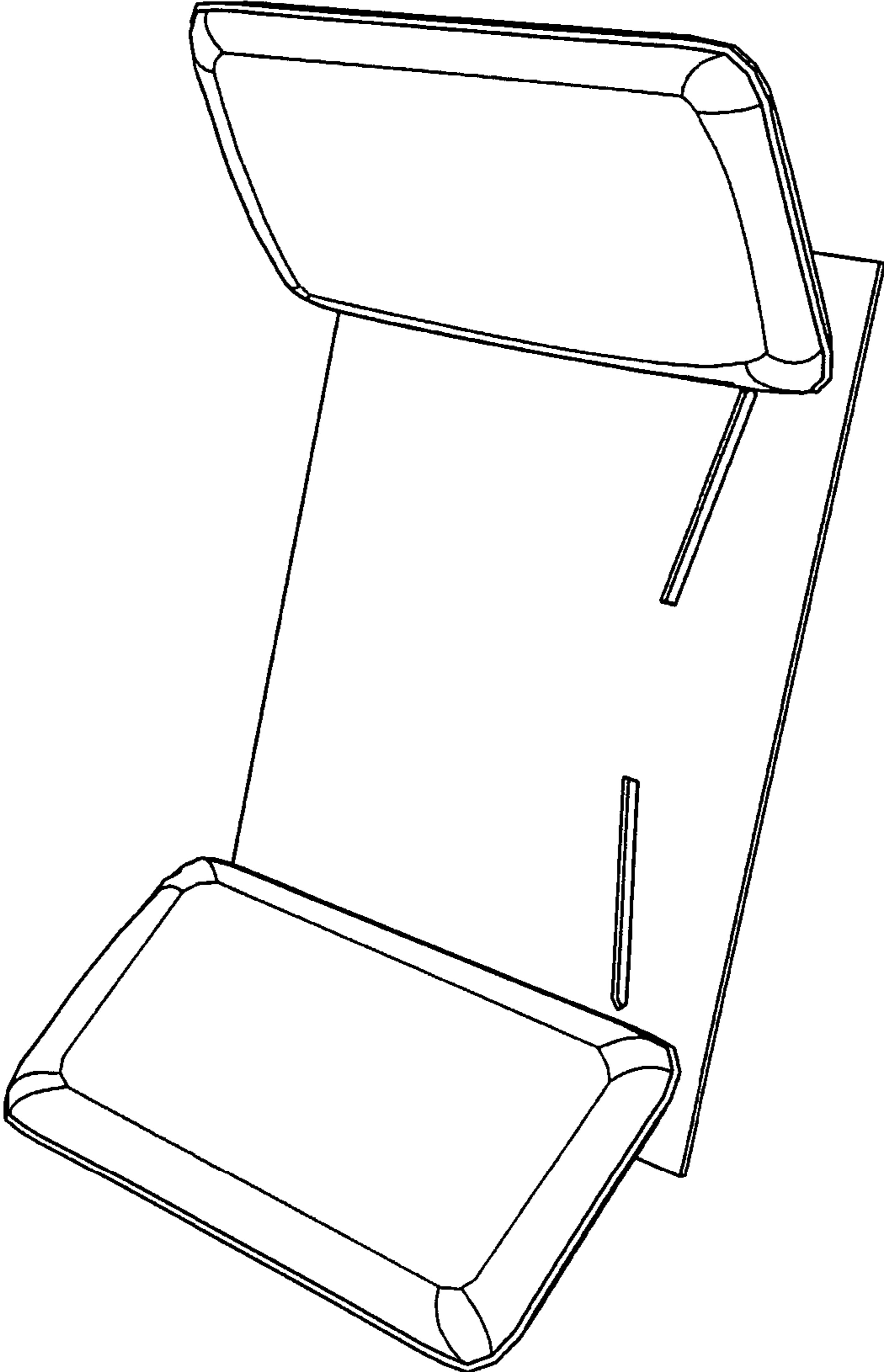


FIG. 1

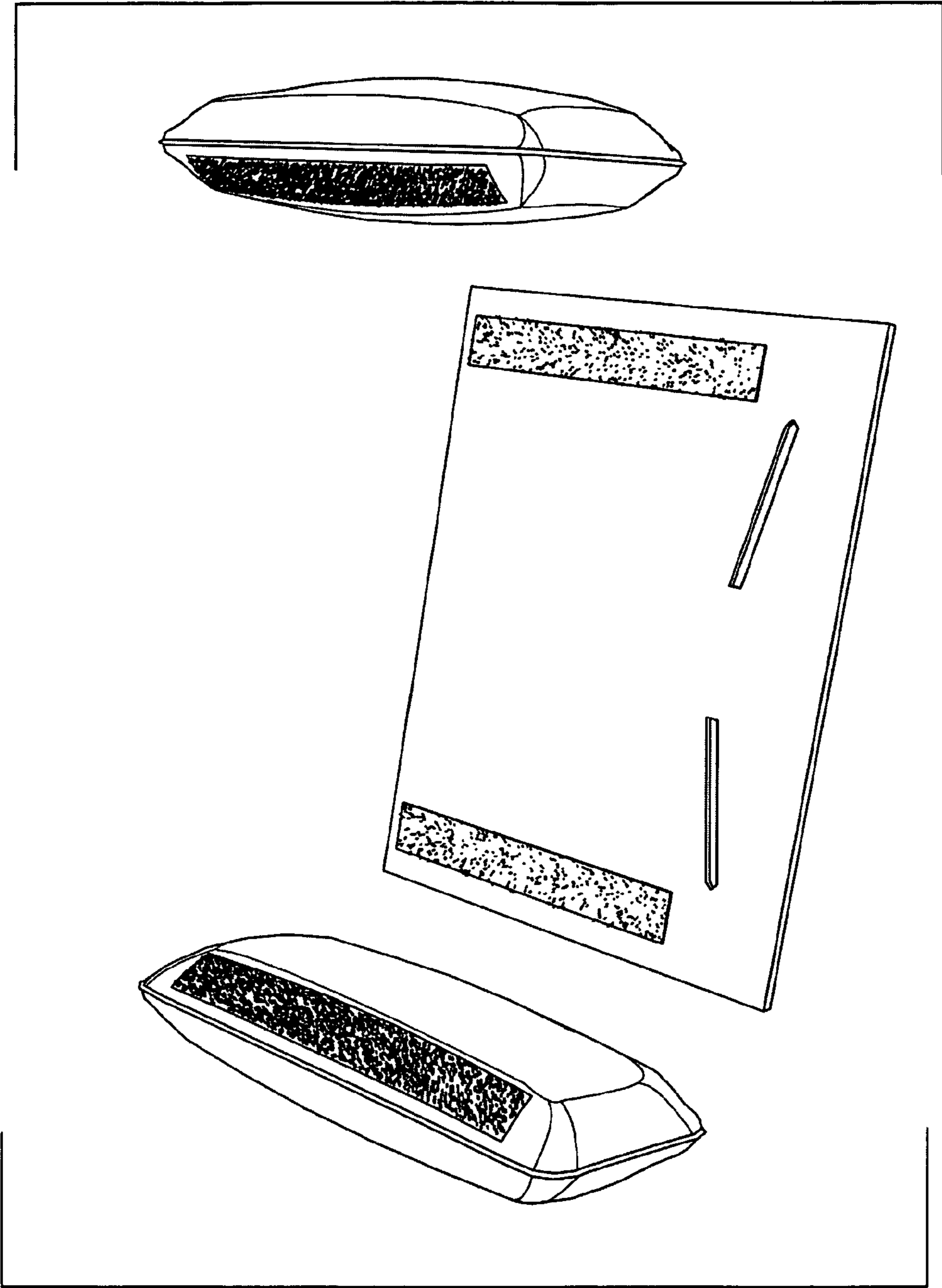


FIG. 2

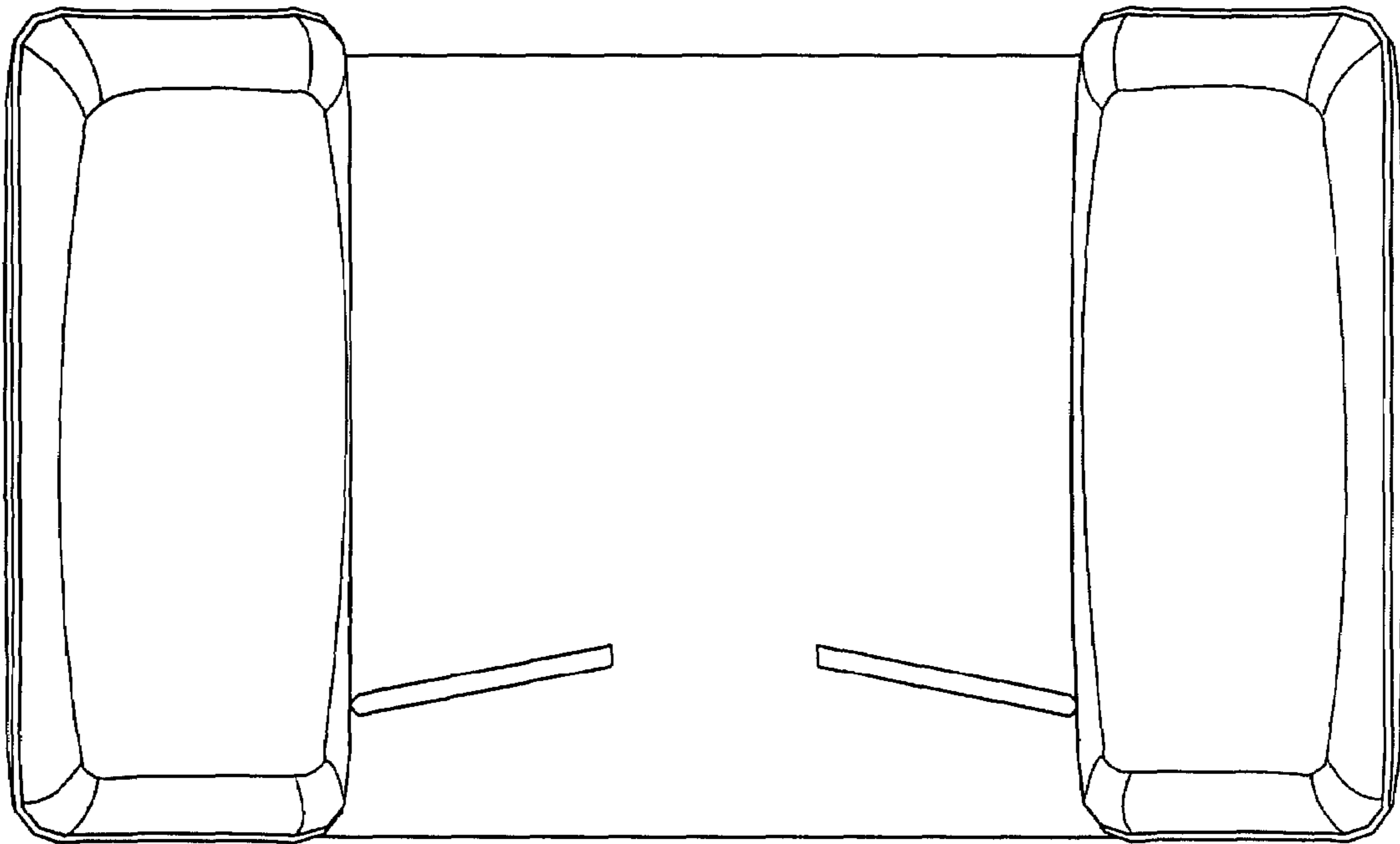


FIG. 3

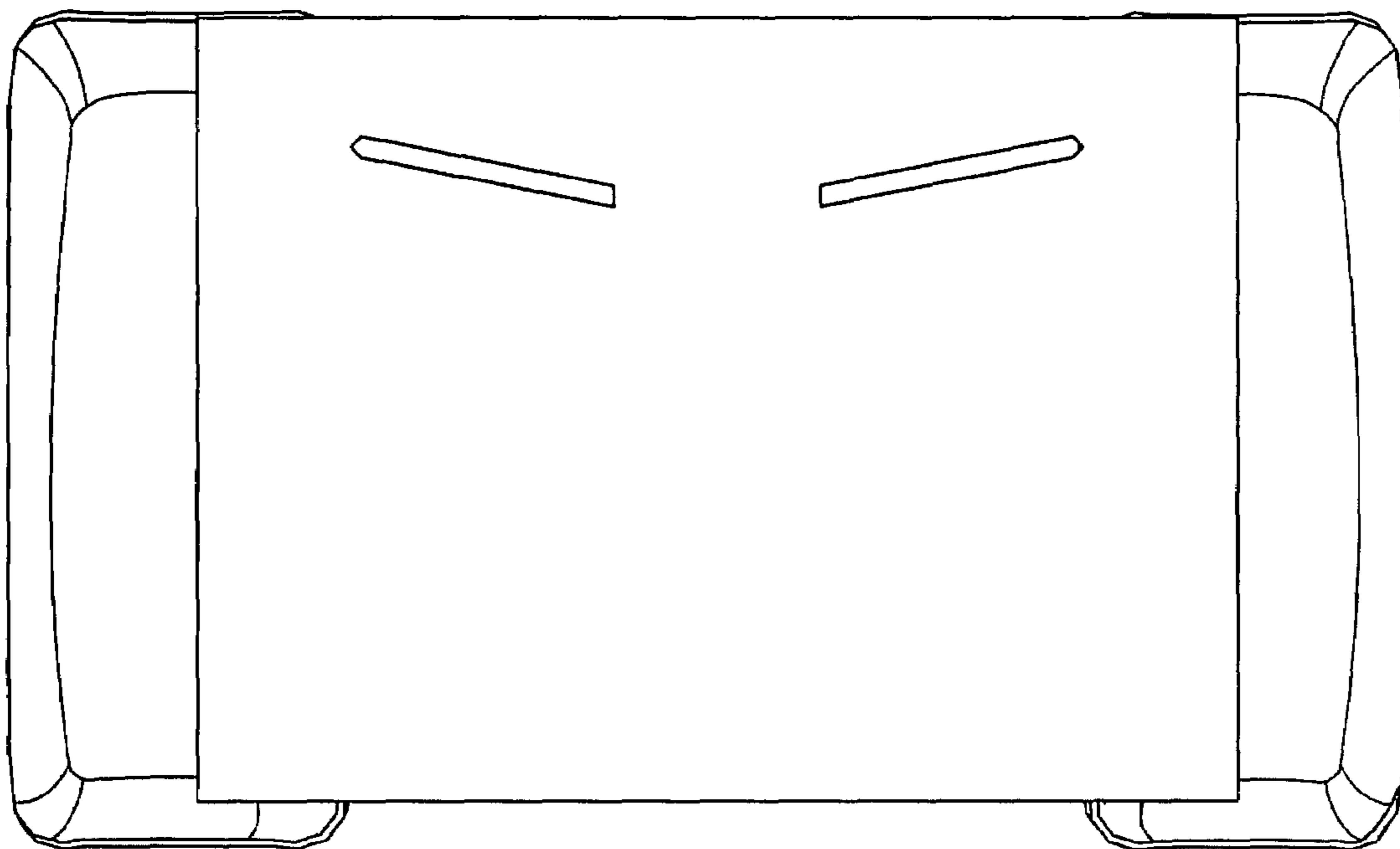


FIG. 4

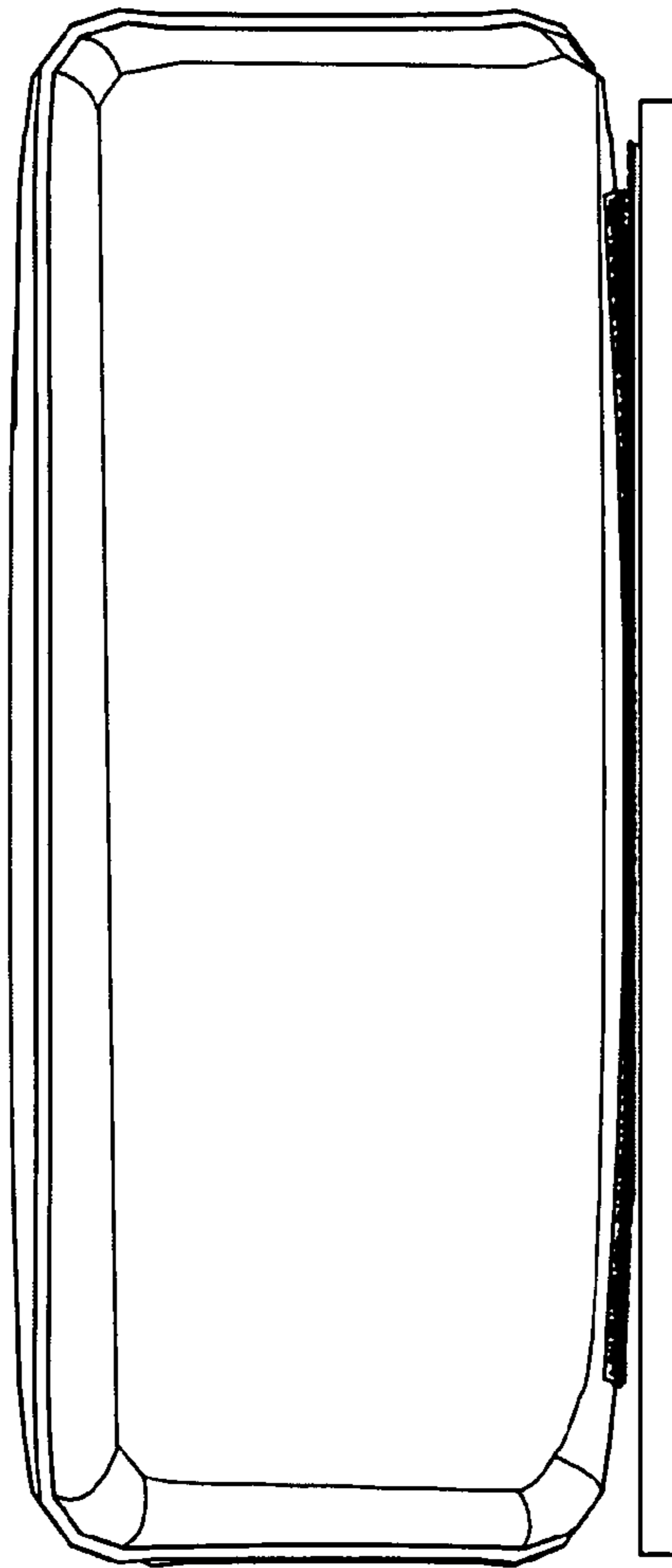


FIG. 5



FIG. 6

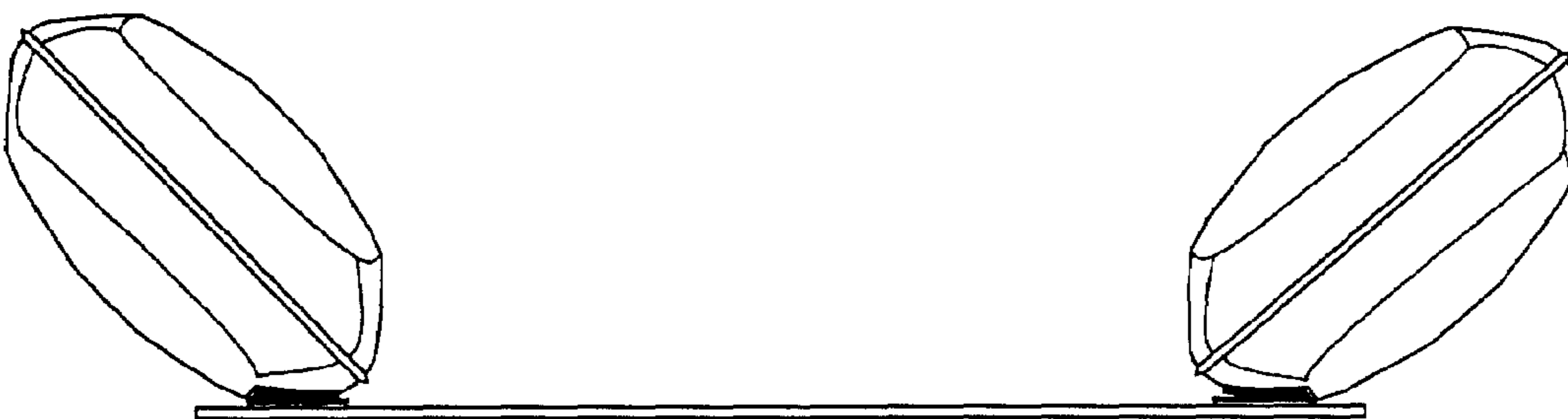


FIG. 7