



US00D583176S

(12) **United States Design Patent**
Bochner et al.

(10) **Patent No.:** **US D583,176 S**

(45) **Date of Patent:** **** Dec. 23, 2008**

(54) **FOLDABLE DESK**

D547,990 S * 8/2007 Mullen D6/555

(75) Inventors: **Ronnie Z. Bochner**, East Brunswick, NJ (US); **Daniel P. Bugasch**, Whitehouse, NJ (US)

OTHER PUBLICATIONS

U.S. Appl. No. 11/828,683 entitled "Portable-Folding Desk", filed Jul. 26, 2007.

(73) Assignees: **Gwenventions, LLC**, East Brunswick, NJ (US); **Daniel Bugasch**, Whitehouse, NJ (US)

* cited by examiner

Primary Examiner—Brian N Vinson

(74) *Attorney, Agent, or Firm*—Greenberg Traurig, LLP

(**) Term: **14 Years**

(57) **CLAIM**

(21) Appl. No.: **29/282,656**

The ornamental design for a foldable desk, as shown and described.

(22) Filed: **Jul. 26, 2007**

DESCRIPTION

(51) **LOC (8) Cl.** **06-04**

(52) **U.S. Cl.** **D6/555**

(58) **Field of Classification Search** D6/555,
D6/553, 567, 569; 312/114, 126, 128-129,
312/204, 231, 234, 242, 245; 211/13.1, 14,
211/88.01, 134, 126.1

FIG. 1 is a perspective view of a foldable desk showing our new design in an open position, with environmental structure being shown in phantom and forming no part of the claimed design;

FIG. 2 is a front elevational view of the desk shown in FIG. 1; FIG. 3 is a rear elevational view of the desk shown in FIG. 1; FIG. 4 is a left side elevational view of the desk shown in FIG. 1;

See application file for complete search history.

FIG. 5 is a right side elevational view of the desk shown in FIG. 1;

(56) **References Cited**

U.S. PATENT DOCUMENTS

2,685,757 A	8/1954	Mirigian	
2,686,702 A	8/1954	Ventrice	
2,881,039 A	4/1959	Guzman	
4,453,788 A	6/1984	Russell	
4,715,293 A	12/1987	Cobbs	
5,040,468 A	8/1991	Miller et al.	
5,322,022 A	6/1994	Burkholder	
5,421,499 A	6/1995	Bauer	
5,722,586 A	3/1998	Hansen	
D395,185 S *	6/1998	Neufeld et al.	D6/555
6,038,983 A	3/2000	Lendl	
D422,826 S *	4/2000	Wenger et al.	D6/553
D433,860 S *	11/2000	Suzuki	D6/555
6,591,763 B2	7/2003	Getfield	
6,705,235 B1	3/2004	Gerutto	
6,854,202 B1	2/2005	Ives et al.	
D544,275 S *	6/2007	Tanus	D6/555

FIG. 6 is a top plan view of the desk shown in FIG. 1;

FIG. 7 is a bottom plan view of the desk shown in FIG. 1;

FIG. 8 is a view similar to FIG. 1, except that the desk is shown in a closed position;

FIG. 9 is a front elevational view of the desk shown in FIG. 8;

FIG. 10 is a rear elevational view of the desk shown in FIG. 8;

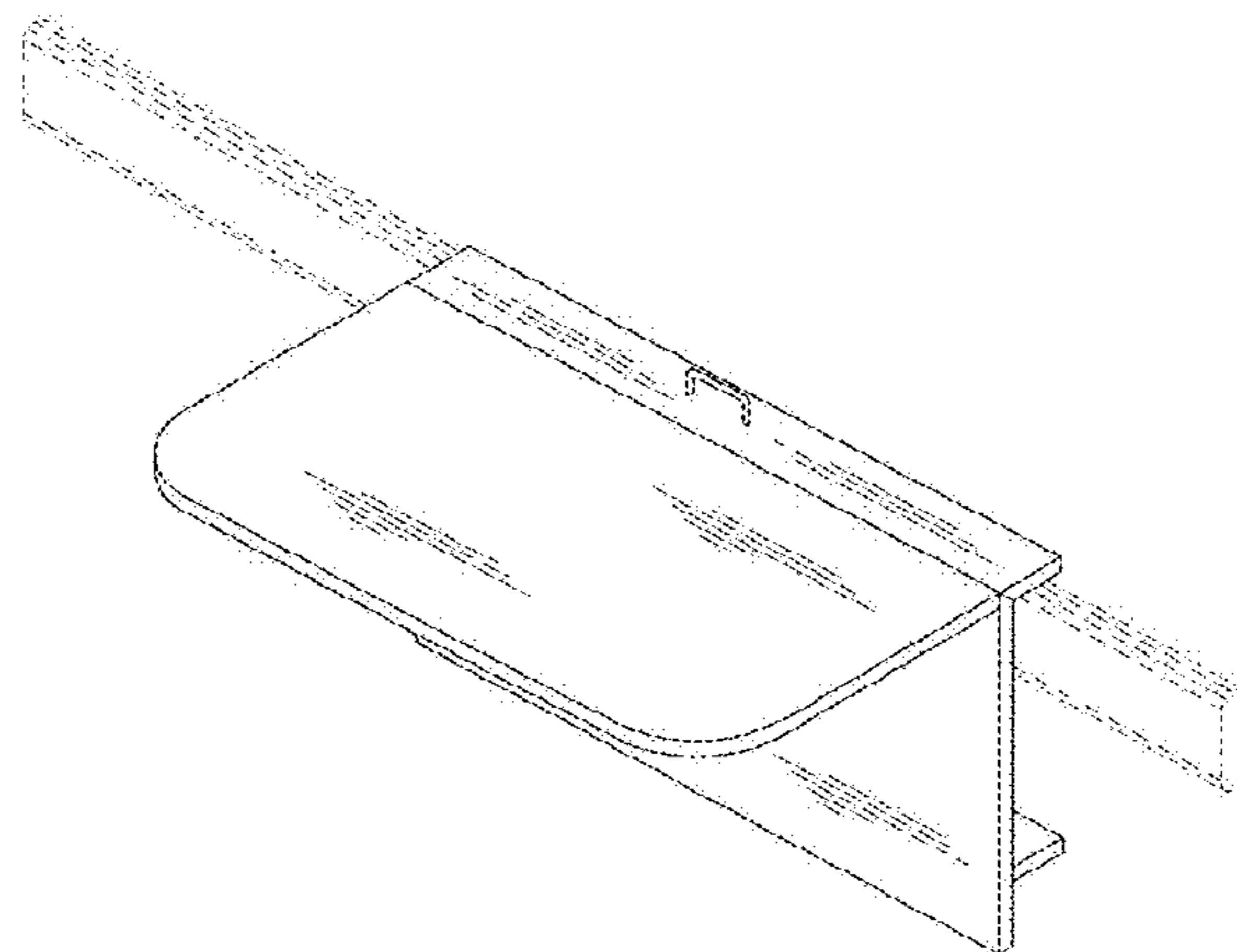
FIG. 11 is a left side elevational view of the desk shown in FIG. 8;

FIG. 12 is a right side elevational view of the desk shown in FIG. 8;

FIG. 13 is a top plan view of the desk shown in FIG. 8; and,

FIG. 14 is a bottom plan view of the desk shown in FIG. 8.

1 Claim, 12 Drawing Sheets



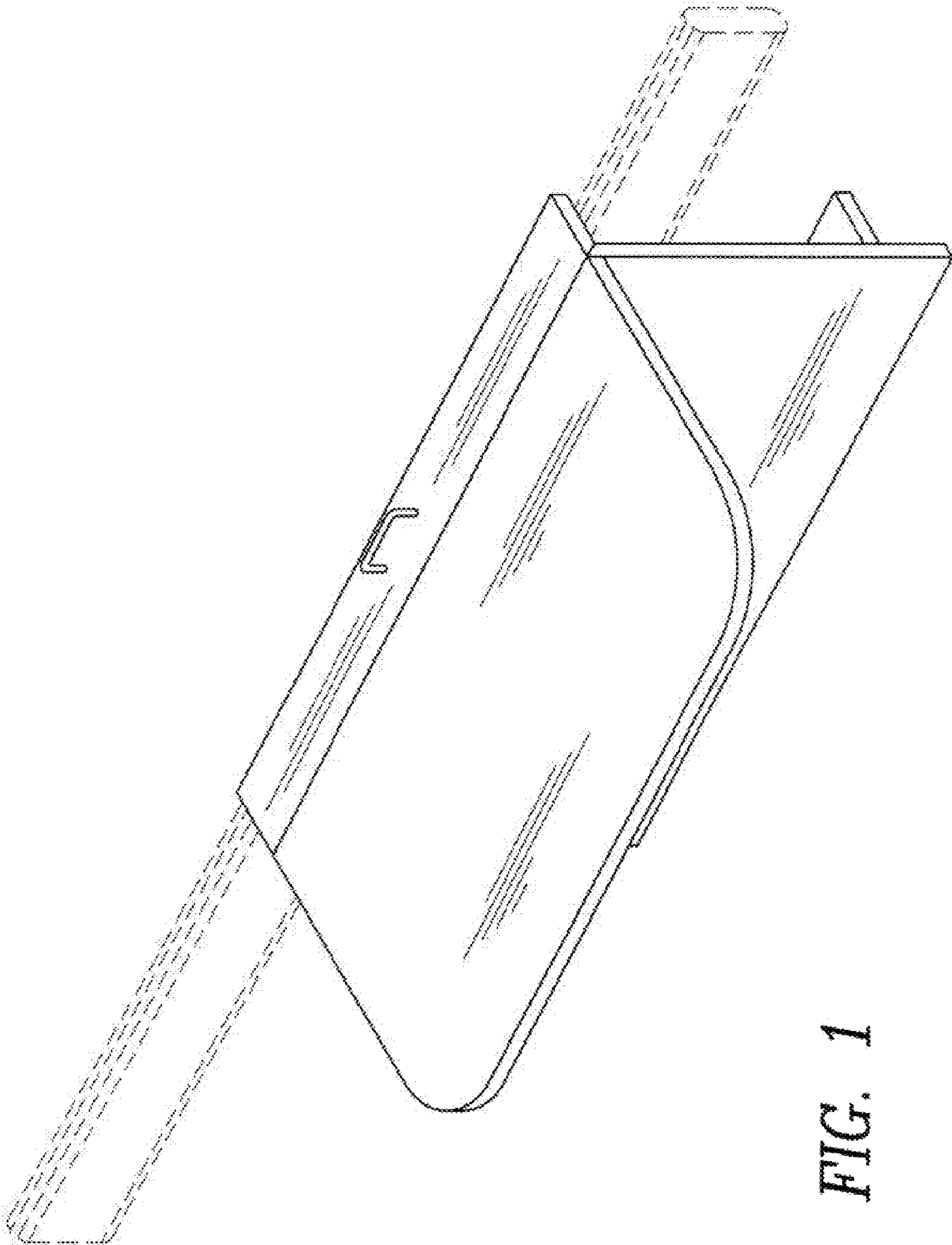


FIG. 1

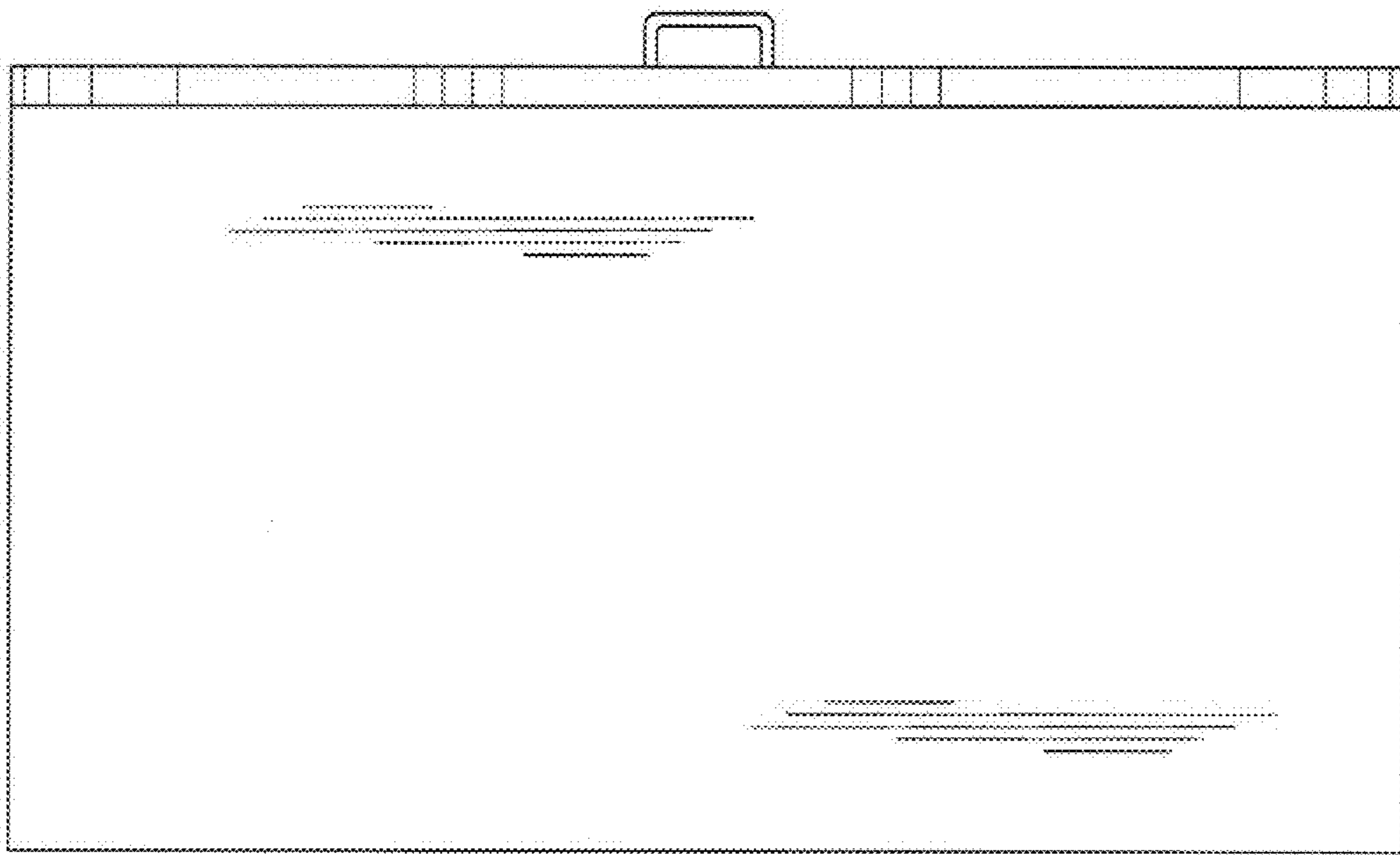


FIG. 2

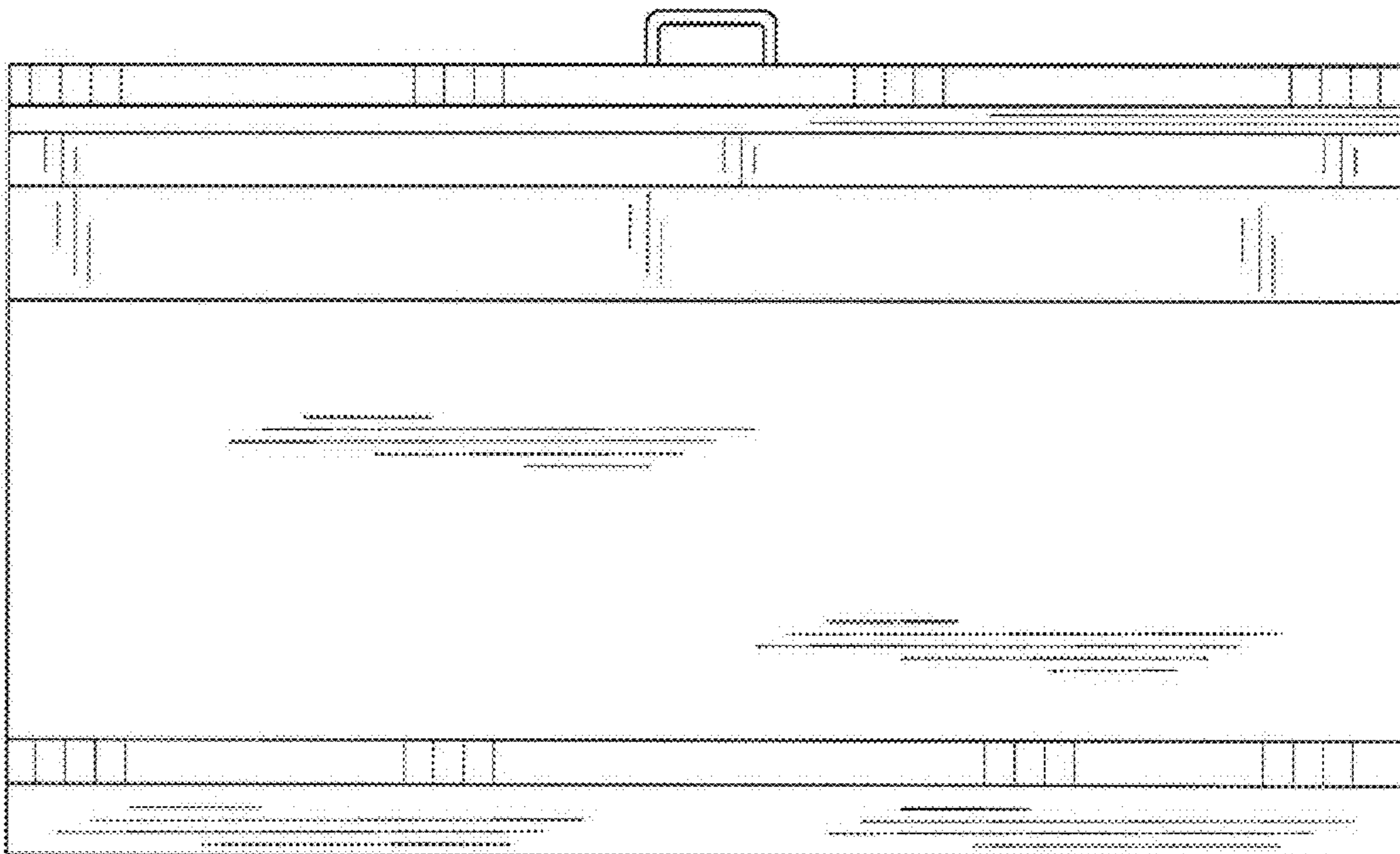


FIG. 3

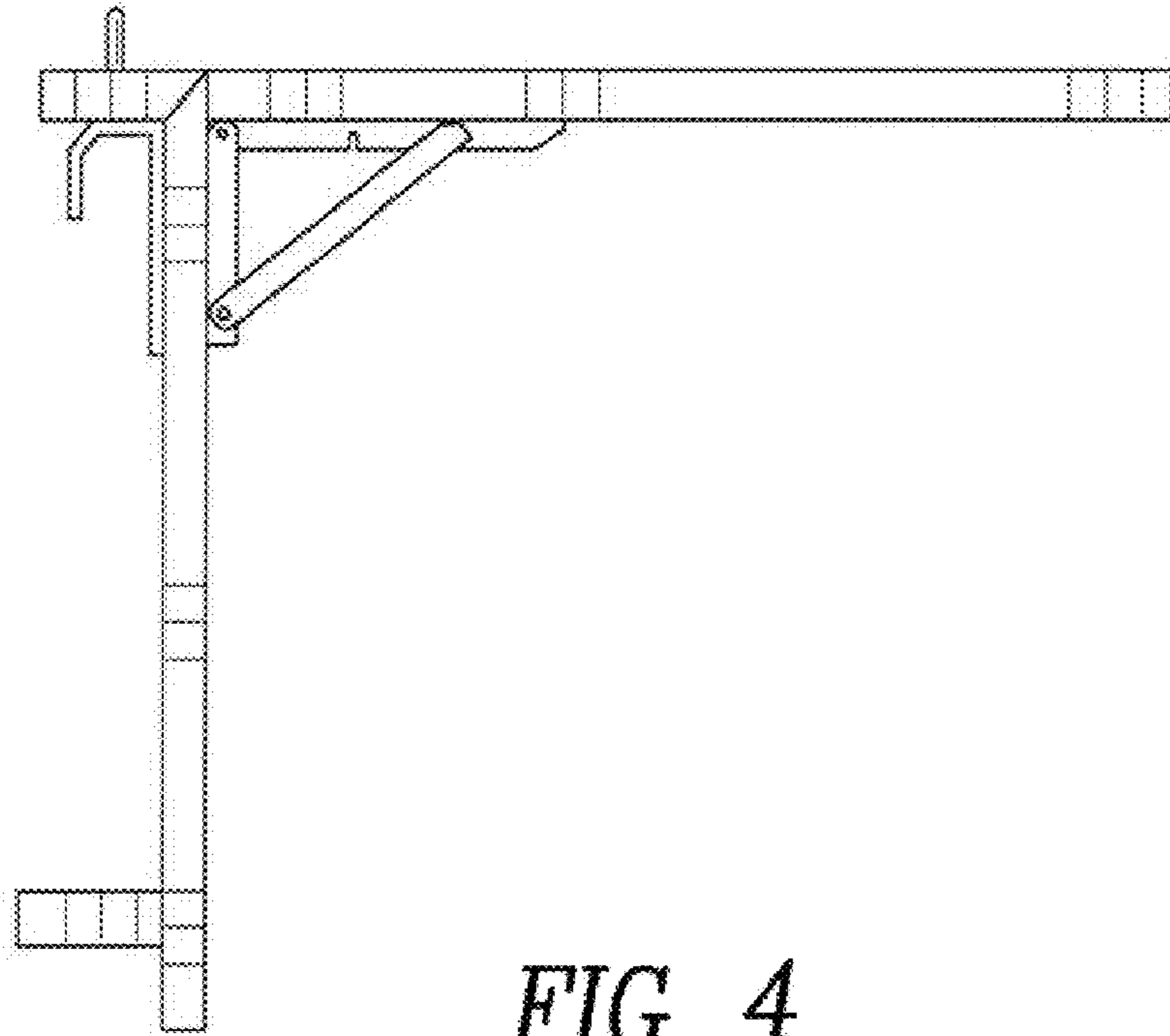


FIG. 4

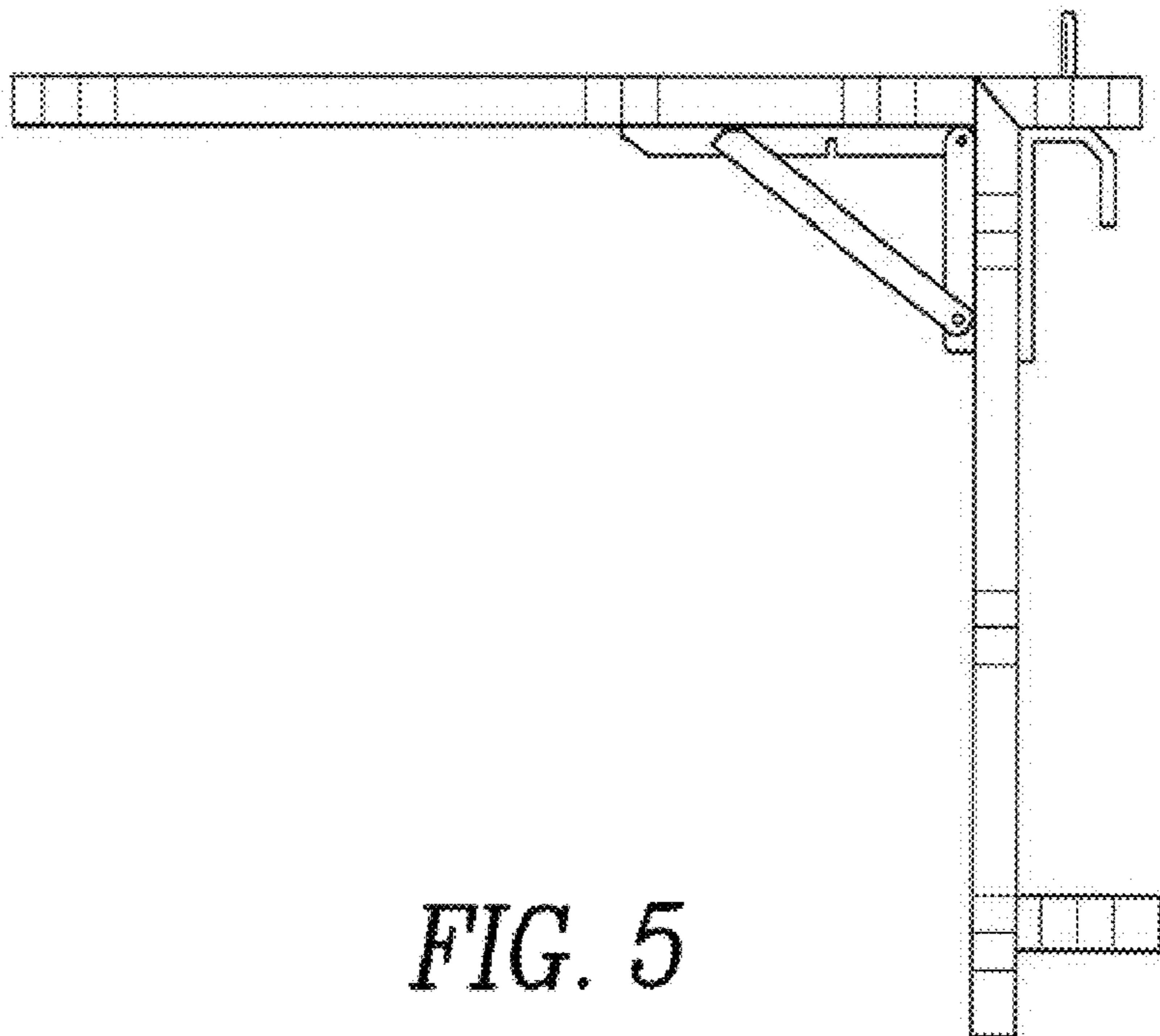


FIG. 5

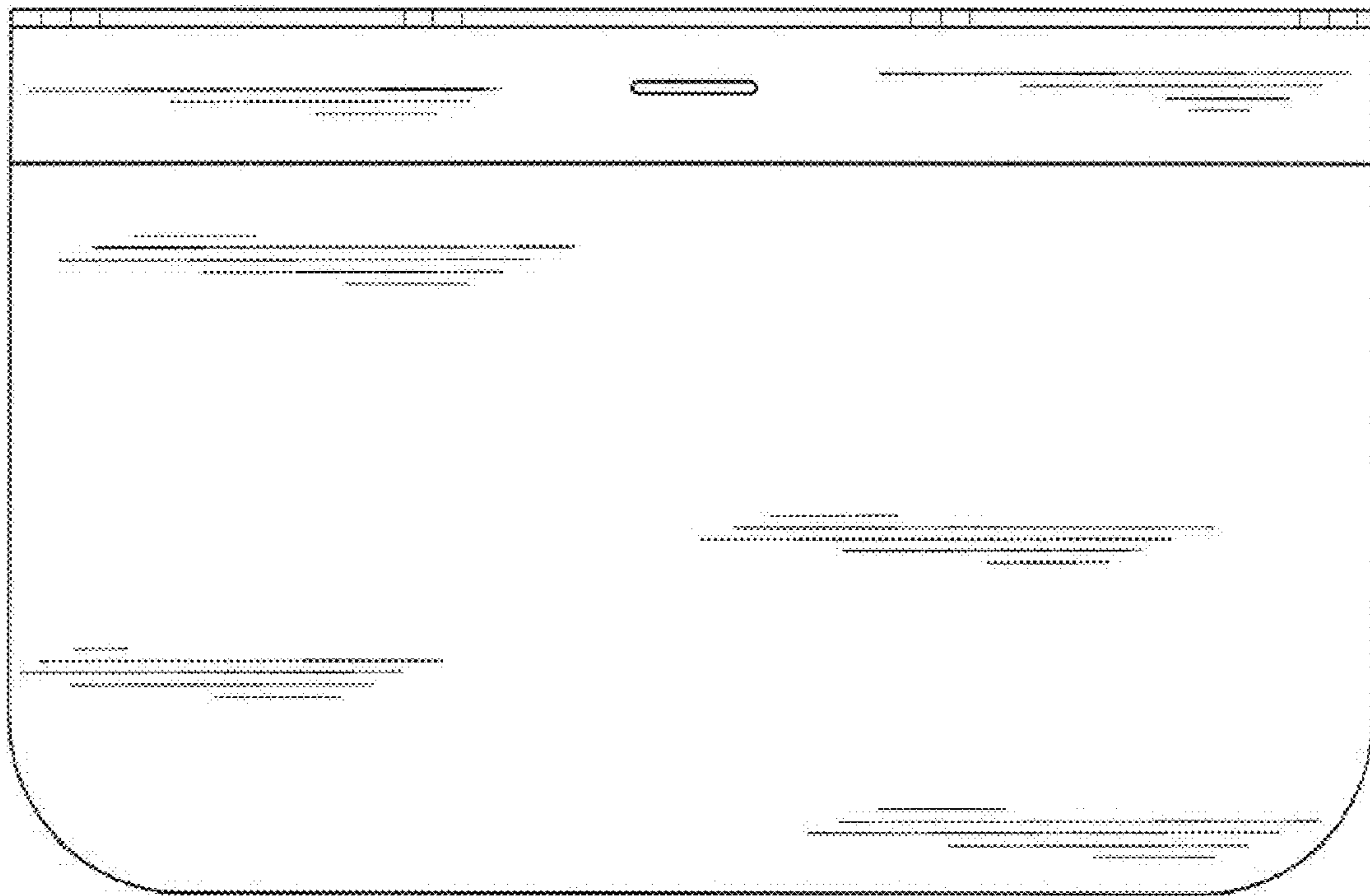


FIG. 6

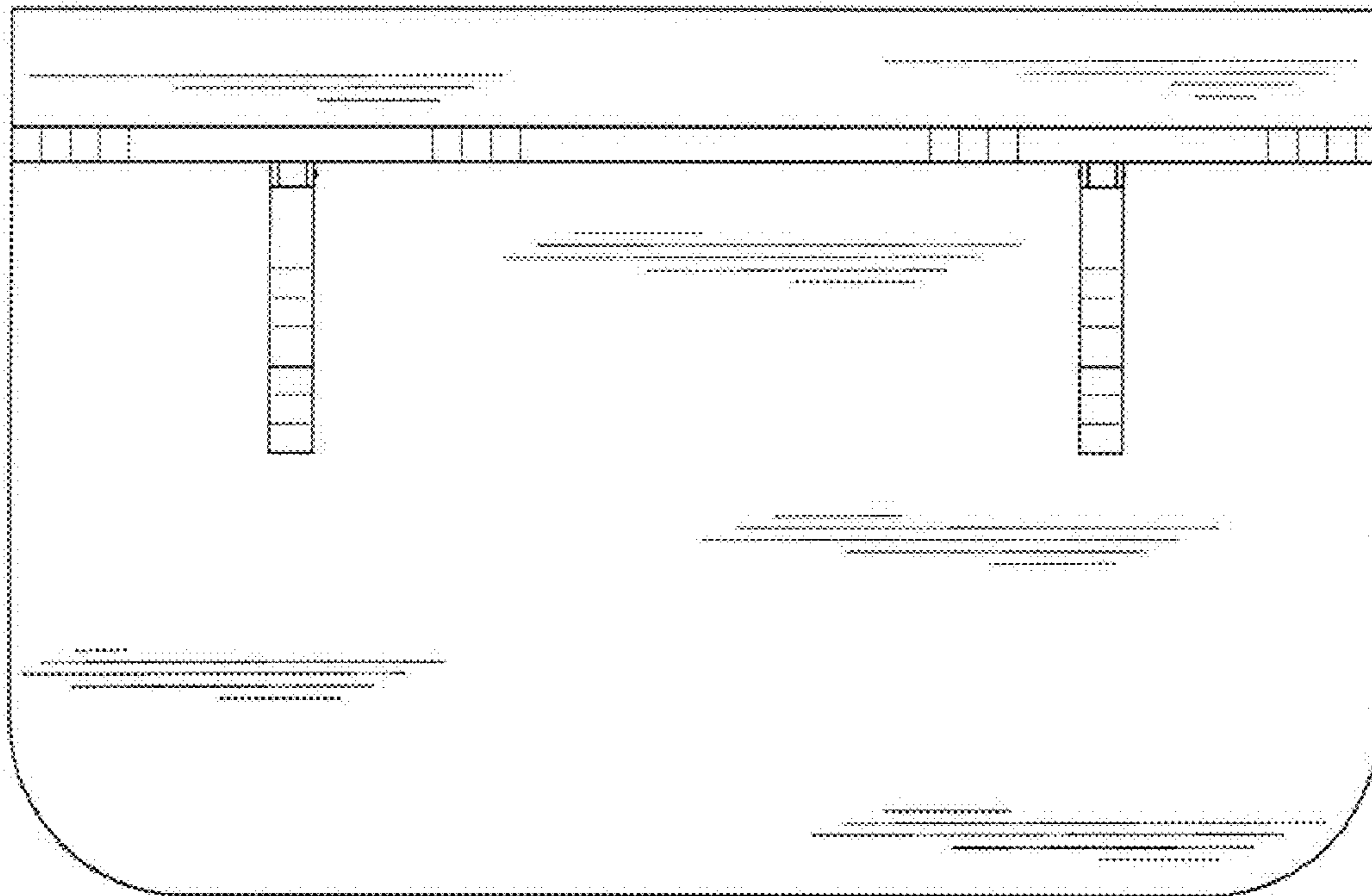


FIG. 7

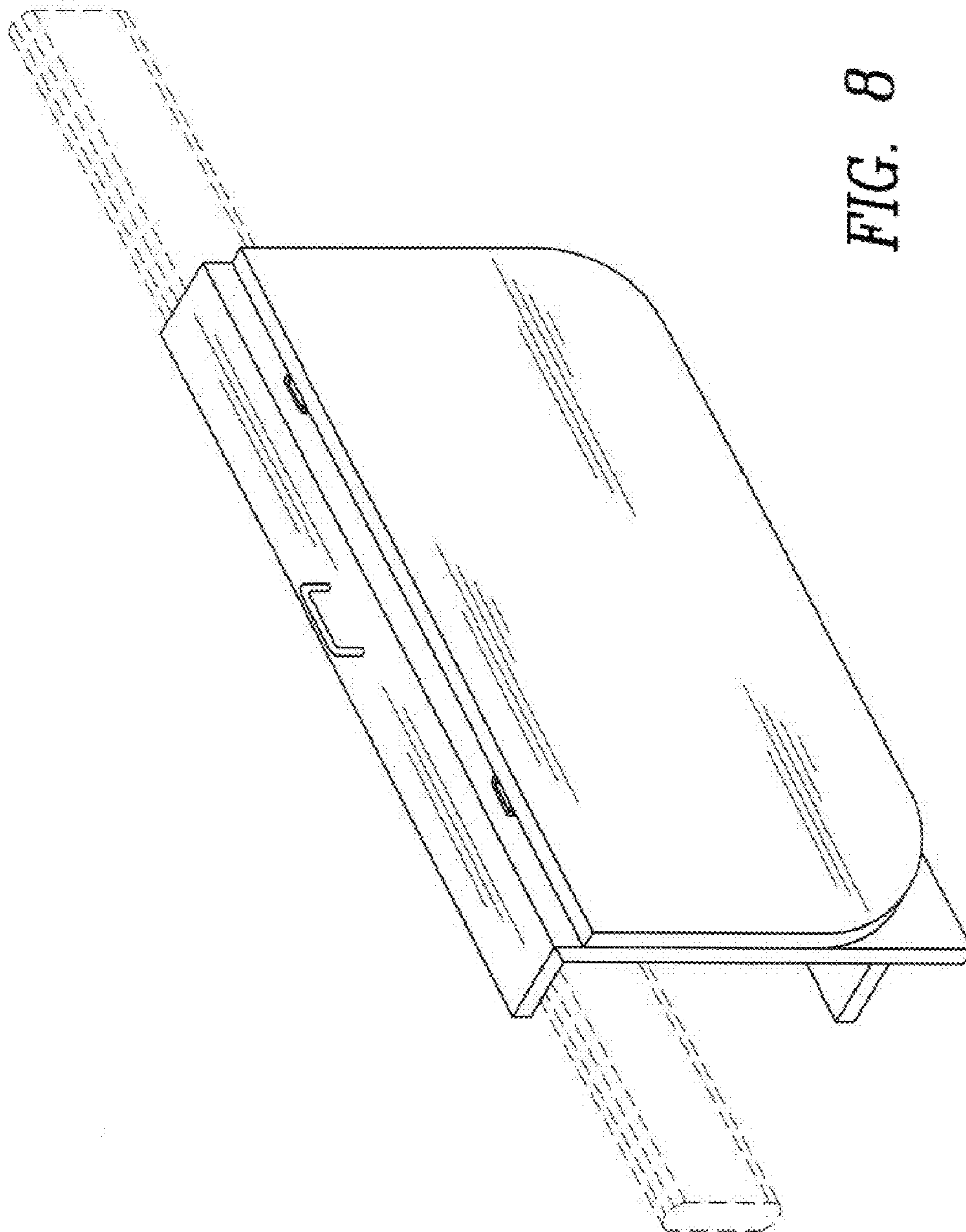


FIG. 8

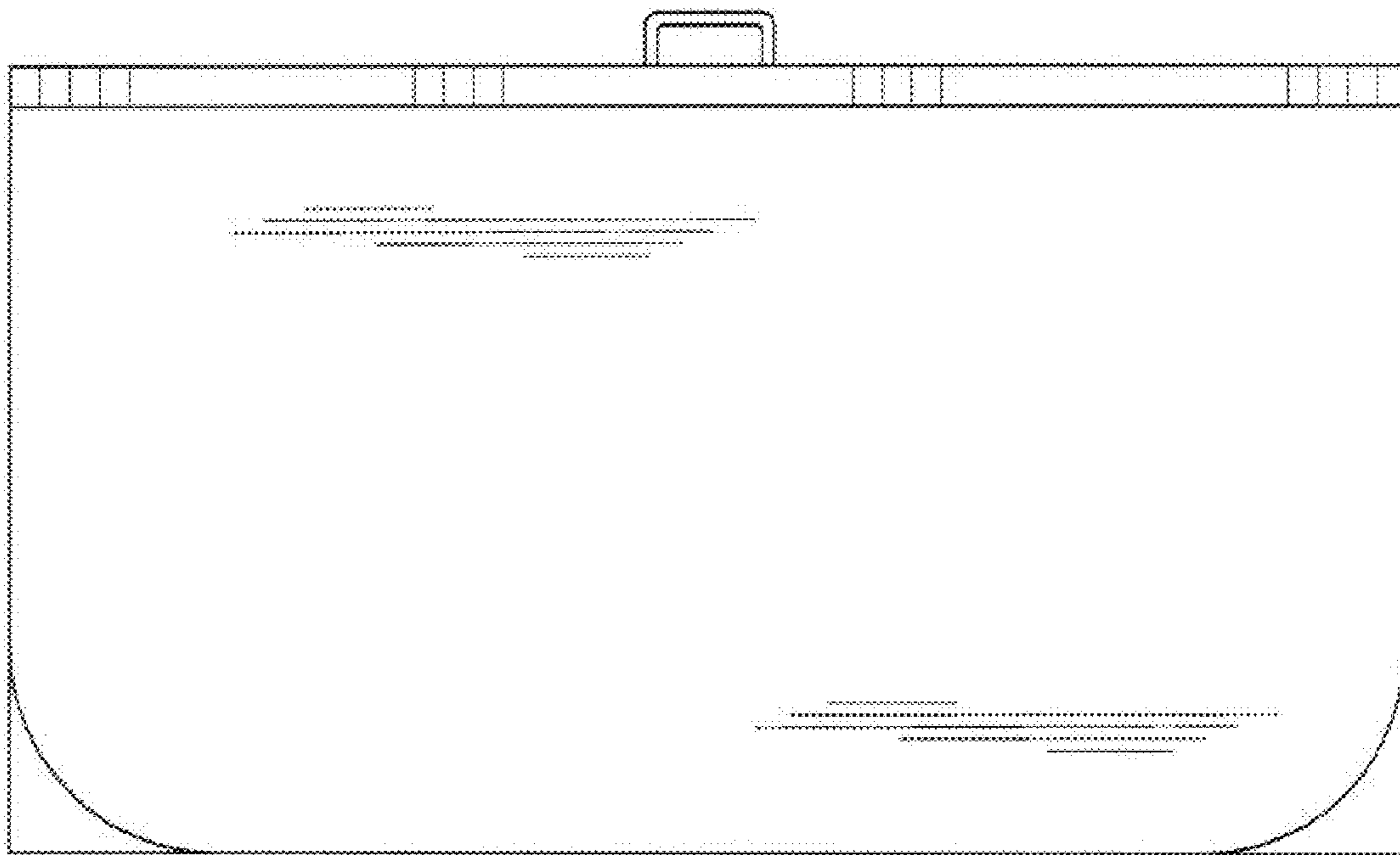


FIG. 9

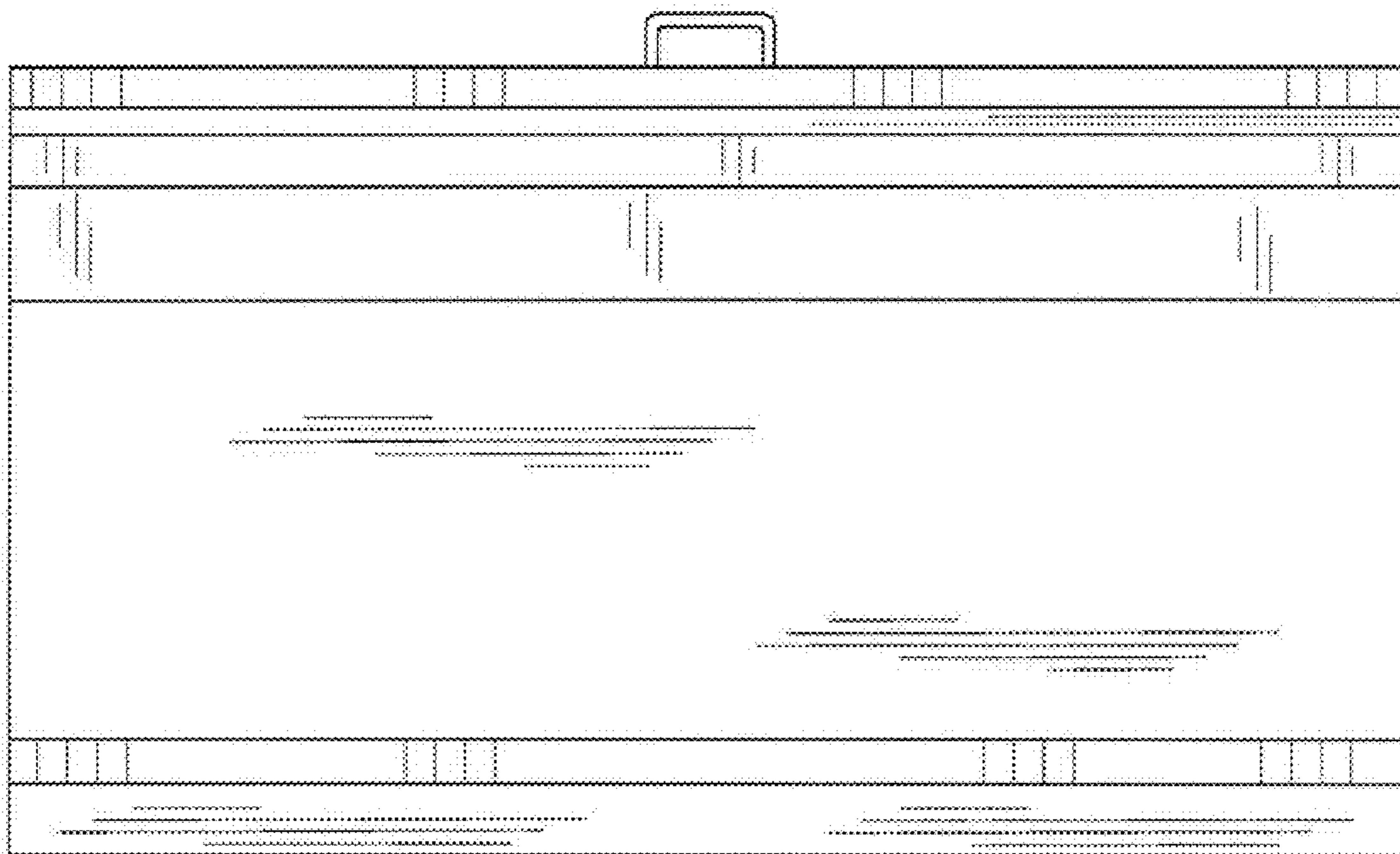


FIG. 10

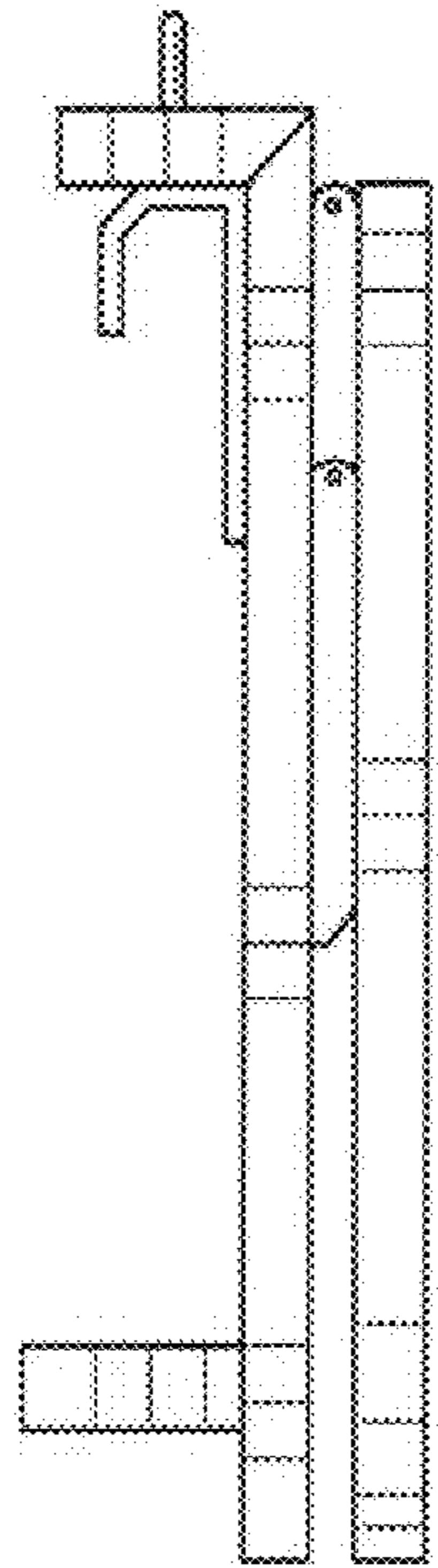


FIG. 11

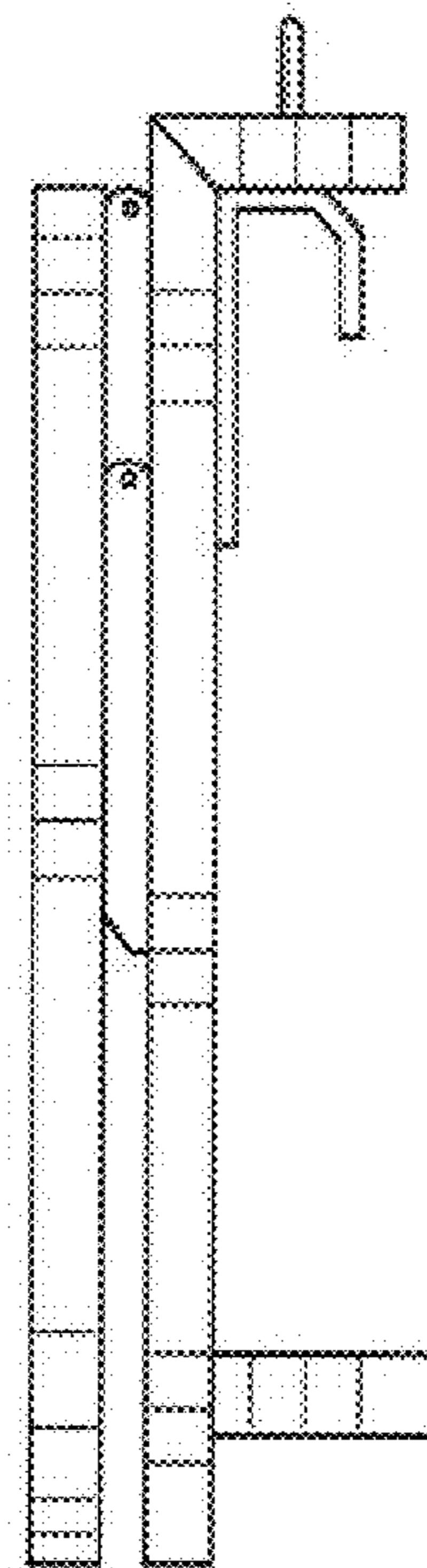


FIG. 12

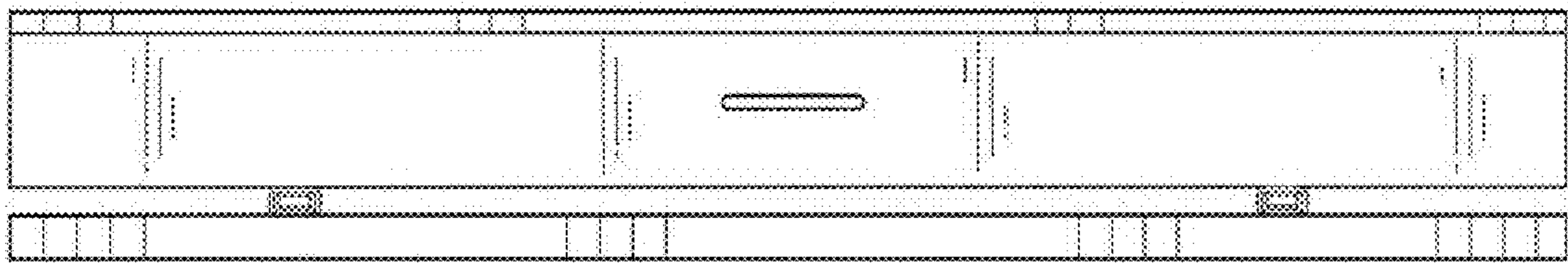


FIG. 13

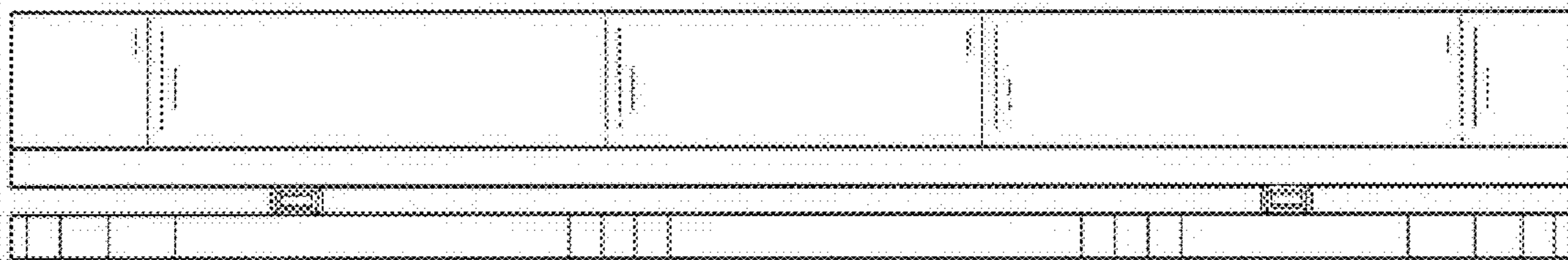


FIG. 14