



US00D583169S

(12) **United States Design Patent**
Saelid

(10) **Patent No.:** **US D583,169 S**

(45) **Date of Patent:** **** Dec. 23, 2008**

(54) **TABLE**

D347,339 S * 5/1994 Bellini et al. D6/477
D357,141 S * 4/1995 Park D6/431

(75) Inventor: **Marianne Saelid**, Ikornnes (NO)

(73) Assignee: **Ekornes ASA**, Ikornnes (NO)

(**) Term: **14 Years**

(21) Appl. No.: **29/306,905**

(22) Filed: **Apr. 18, 2008**

(30) **Foreign Application Priority Data**

Oct. 19, 2007 (NO) 20070654

(51) **LOC (8) Cl.** **06-03**

(52) **U.S. Cl.** **D6/486**

(58) **Field of Classification Search** D6/480-489,
D6/495-499, 429-431, 511, 477, 479; 108/150,
108/153.1, 156, 157.1, 161; 248/188, 188.1,
248/188.8

See application file for complete search history.

(56) **References Cited**

U.S. PATENT DOCUMENTS

D226,647 S * 4/1973 Longato D6/475

* cited by examiner

Primary Examiner—Janice E Seeger

(74) *Attorney, Agent, or Firm*—Schneck & Schneck; Thomas Schneck

(57) **CLAIM**

I claim the ornamental design for a table, as shown.

DESCRIPTION

FIG. 1 is a perspective view of a table, showing my new design.

FIG. 2 is a rear elevational view thereof;

FIG. 3 is a front elevational view thereof;

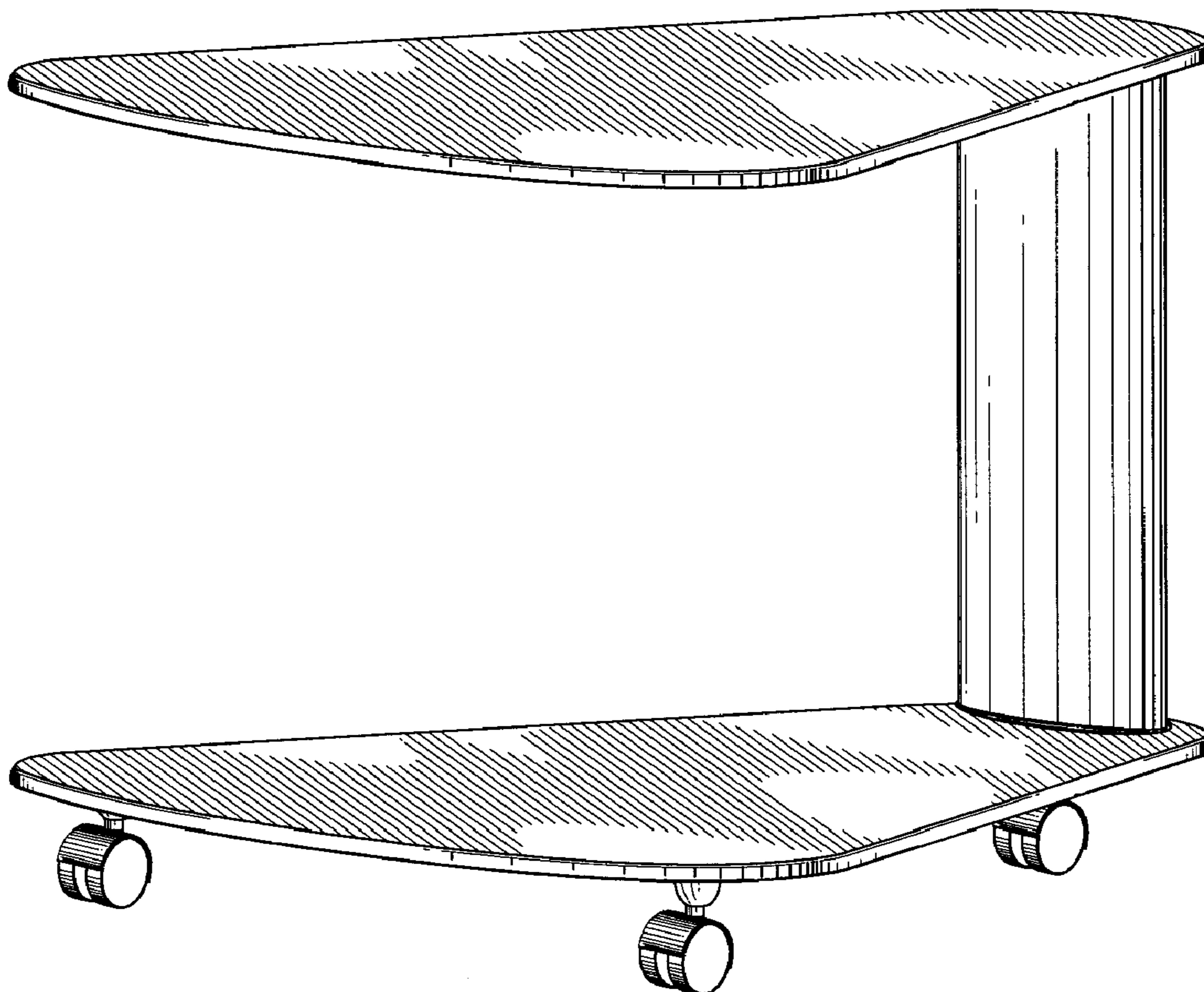
FIG. 4 is a right side elevational view thereof;

FIG. 5 is a left side elevational view thereof;

FIG. 6 is a bottom view thereof; and,

FIG. 7 is a top view thereof.

1 Claim, 4 Drawing Sheets



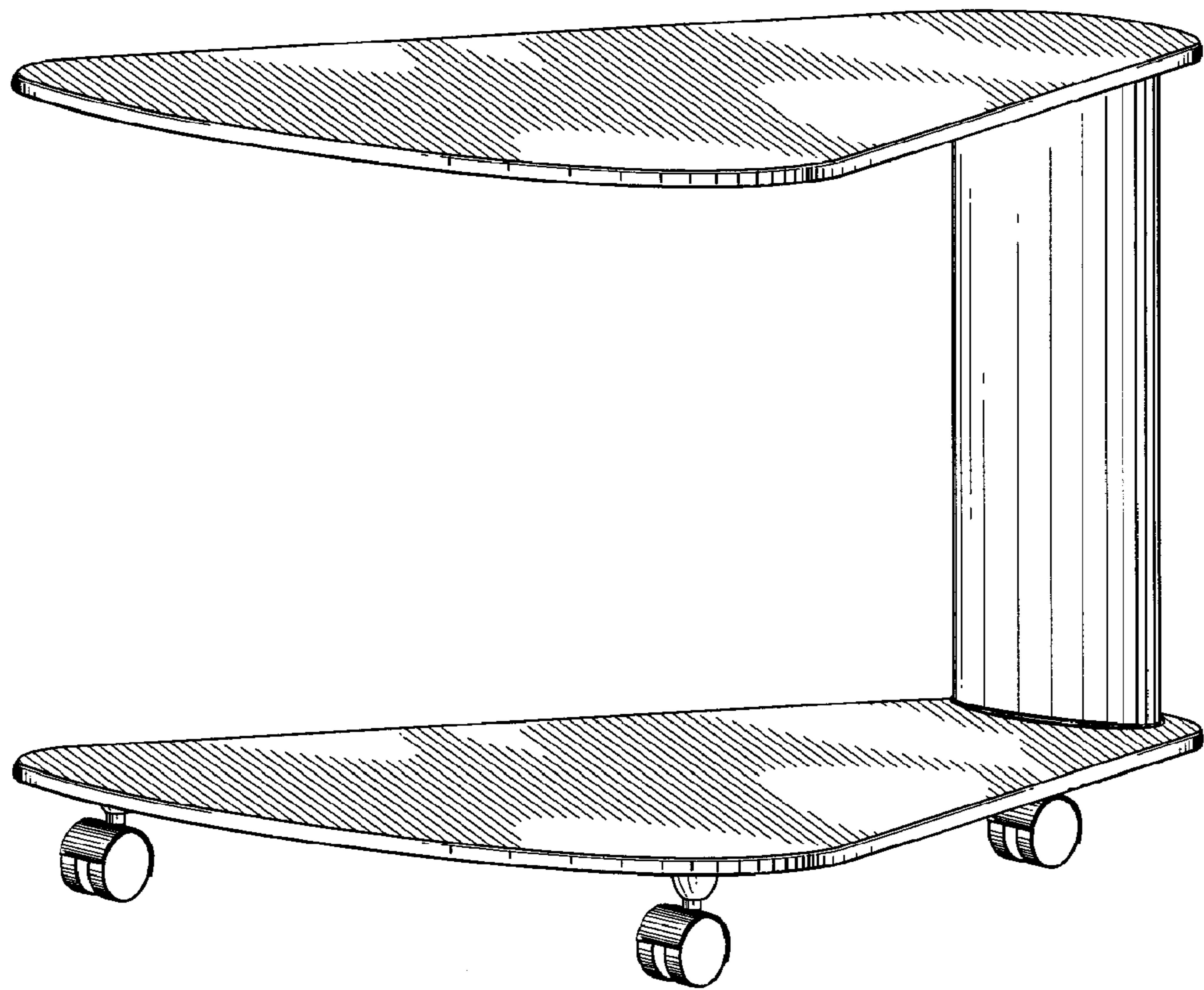


Fig. 1

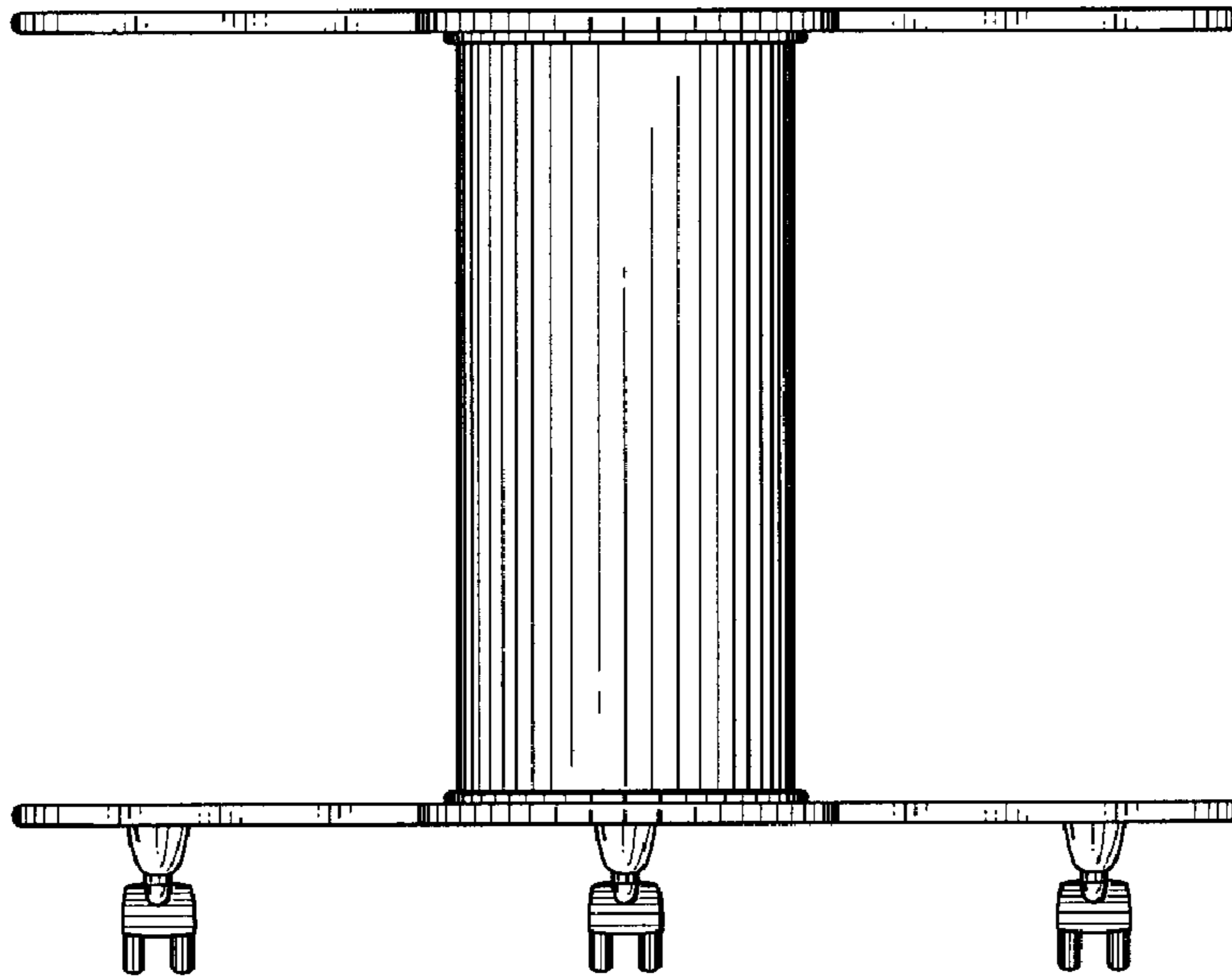


Fig. 2

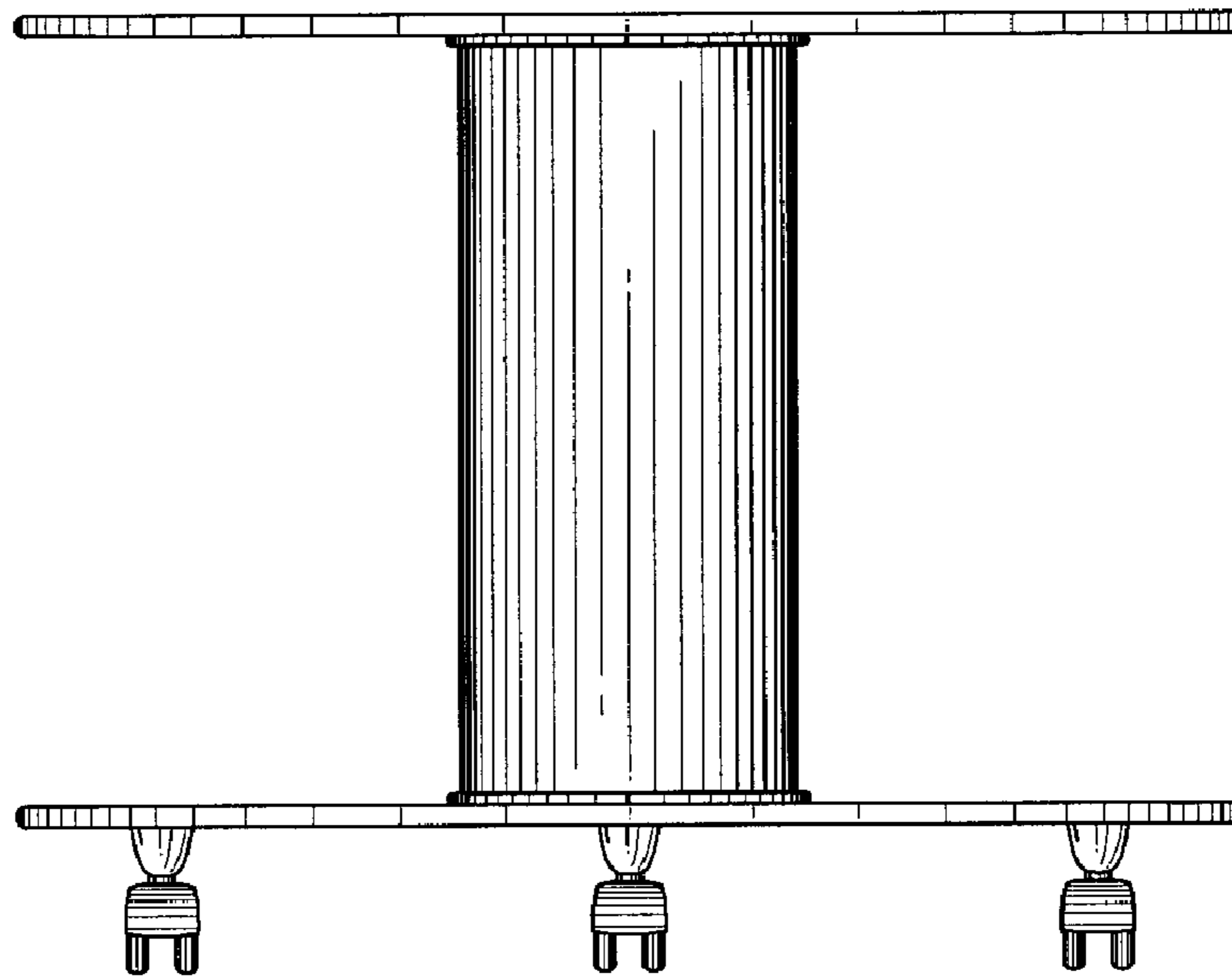


Fig. 3

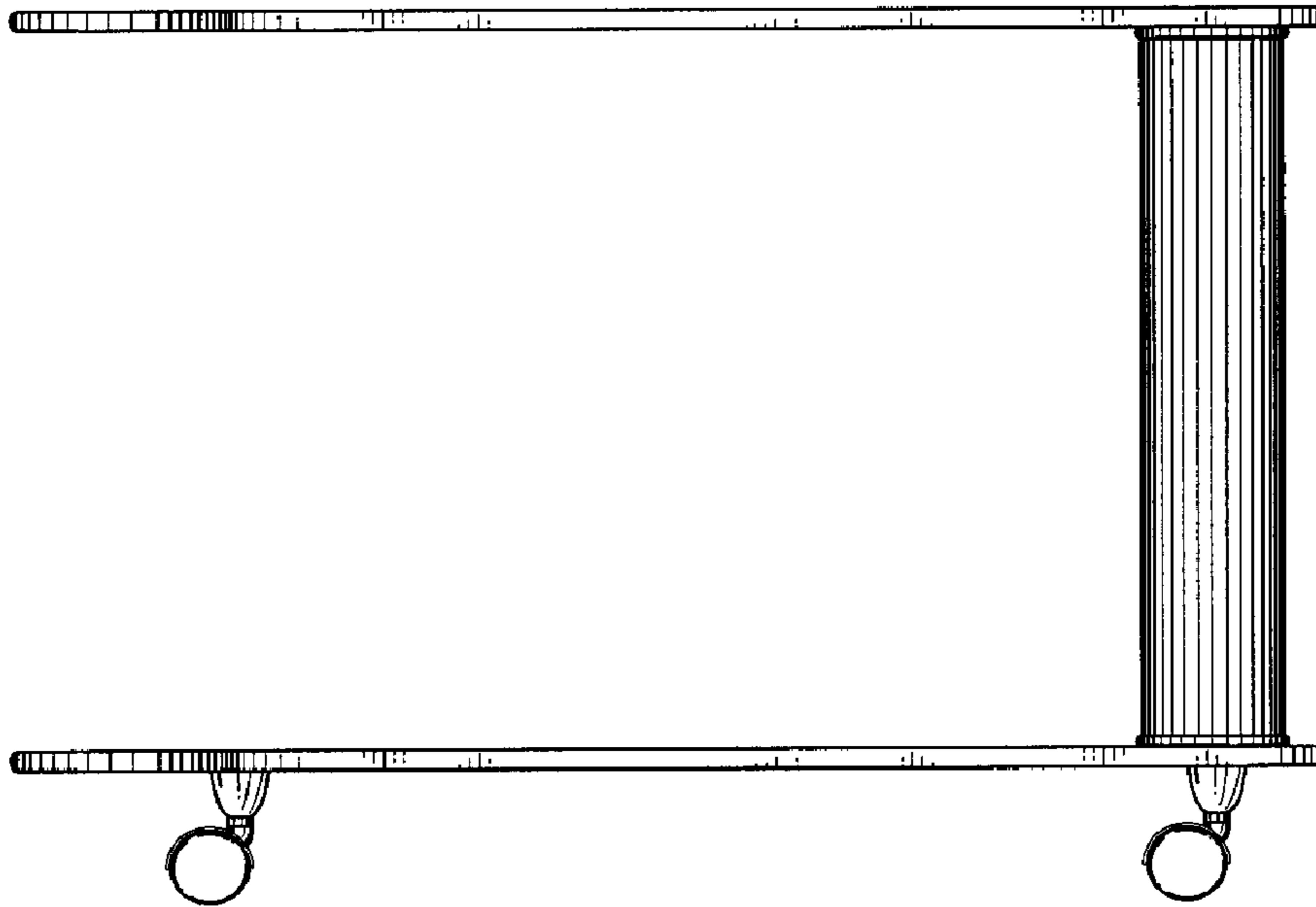


Fig. 4

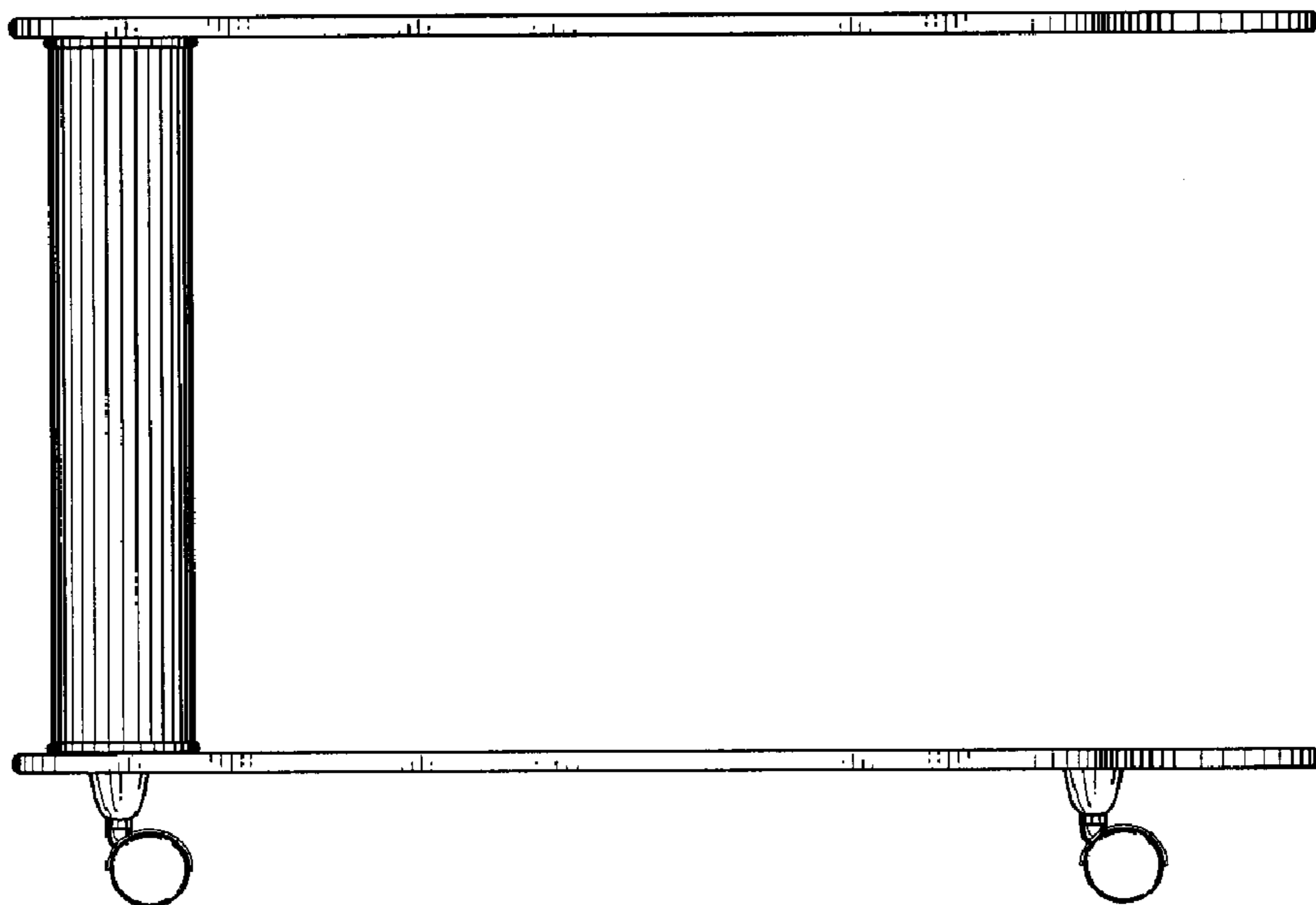


Fig. 5

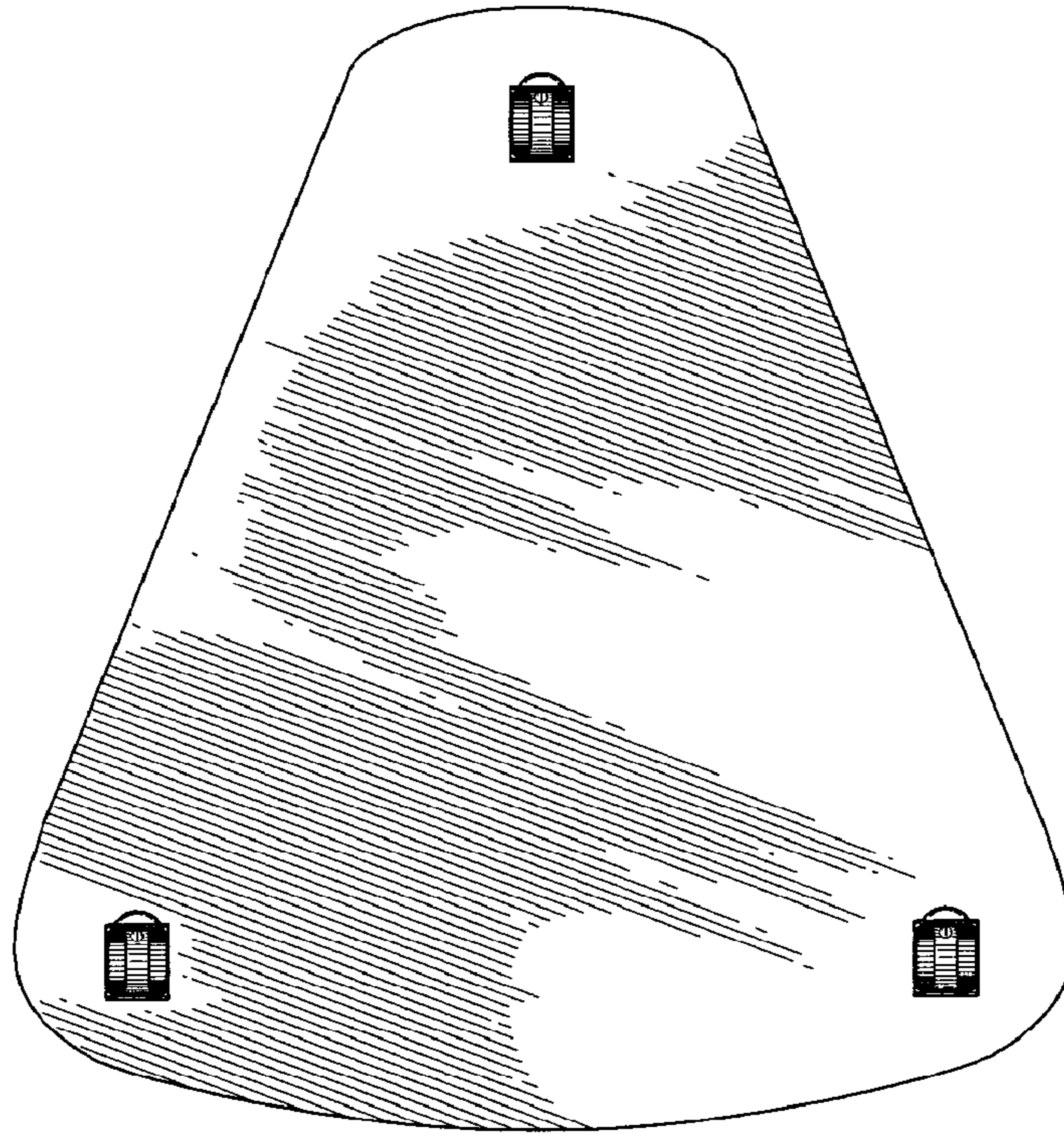


Fig. 6

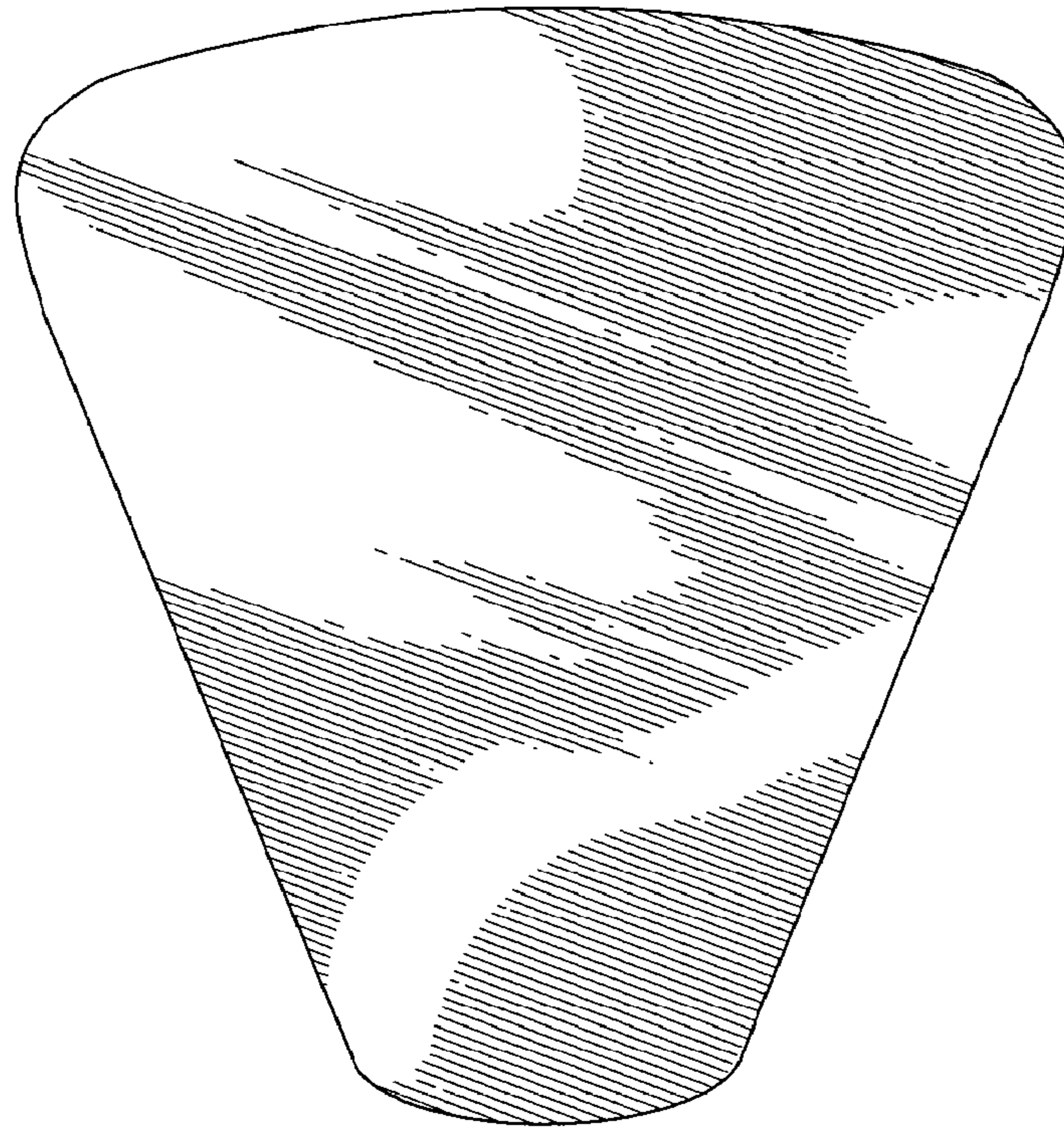


Fig. 7