



US00D583164S

(12) **United States Design Patent**
Jennings

(10) **Patent No.:** **US D583,164 S**
(45) **Date of Patent:** **** Dec. 23, 2008**

(54) **LAP DESK**

(75) Inventor: **Don Micheal Jennings**, Arlington, TX
(US)

(73) Assignee: **Creative Essentials, LLC**, Arlington,
TX (US)

(**) Term: **14 Years**

(21) Appl. No.: **29/306,972**

(22) Filed: **Apr. 21, 2008**

(51) **LOC (8) Cl.** **06-06**

(52) **U.S. Cl.** **D6/406.6**

(58) **Field of Classification Search** D6/406.1-406.6,
D6/429, 426, 440, 451, 489, 510, 511; D7/552.1,
D7/552.2, 554.1, 554.4, 550.1, 554.2, 554.3,
D7/566; 211/133.1, 85.31, 126.8, 126, 16,
211/133.5; 108/43, 157.1, 157.13; 434/432;
D14/458; D12/425

See application file for complete search history.

(56) **References Cited**

U.S. PATENT DOCUMENTS

3,407,757	A	10/1968	Warner	
4,052,944	A	10/1977	Jennings	
5,090,334	A	2/1992	Sutton	
D342,170	S *	12/1993	Palmer D12/425
D344,435	S *	2/1994	Whall D7/554.3
D411,388	S *	6/1999	Sacco et al. D6/406.6
D413,209	S	8/1999	Jarke	
6,041,715	A	3/2000	Jarke et al.	

D433,580	S	11/2000	Jarke et al.	
D467,933	S *	12/2002	Hovsepian D14/458
D575,077	S *	8/2008	Kessels D6/406.3

* cited by examiner

Primary Examiner—Charles A Rademaker

Assistant Examiner—Charles D Hanson

(74) *Attorney, Agent, or Firm*—Locke Lord Bissell & Liddell,
LLP

(57) **CLAIM**

The ornamental design for a lap desk, as shown and described.

DESCRIPTION

FIG. 1 is a perspective view of a lap desk, showing my new design;

FIG. 2 is a top plan view thereof;

FIG. 3 is a sectional view taken generally along sectional lines 3—3 of FIG. 2;

FIG. 4 is a bottom plan view thereof;

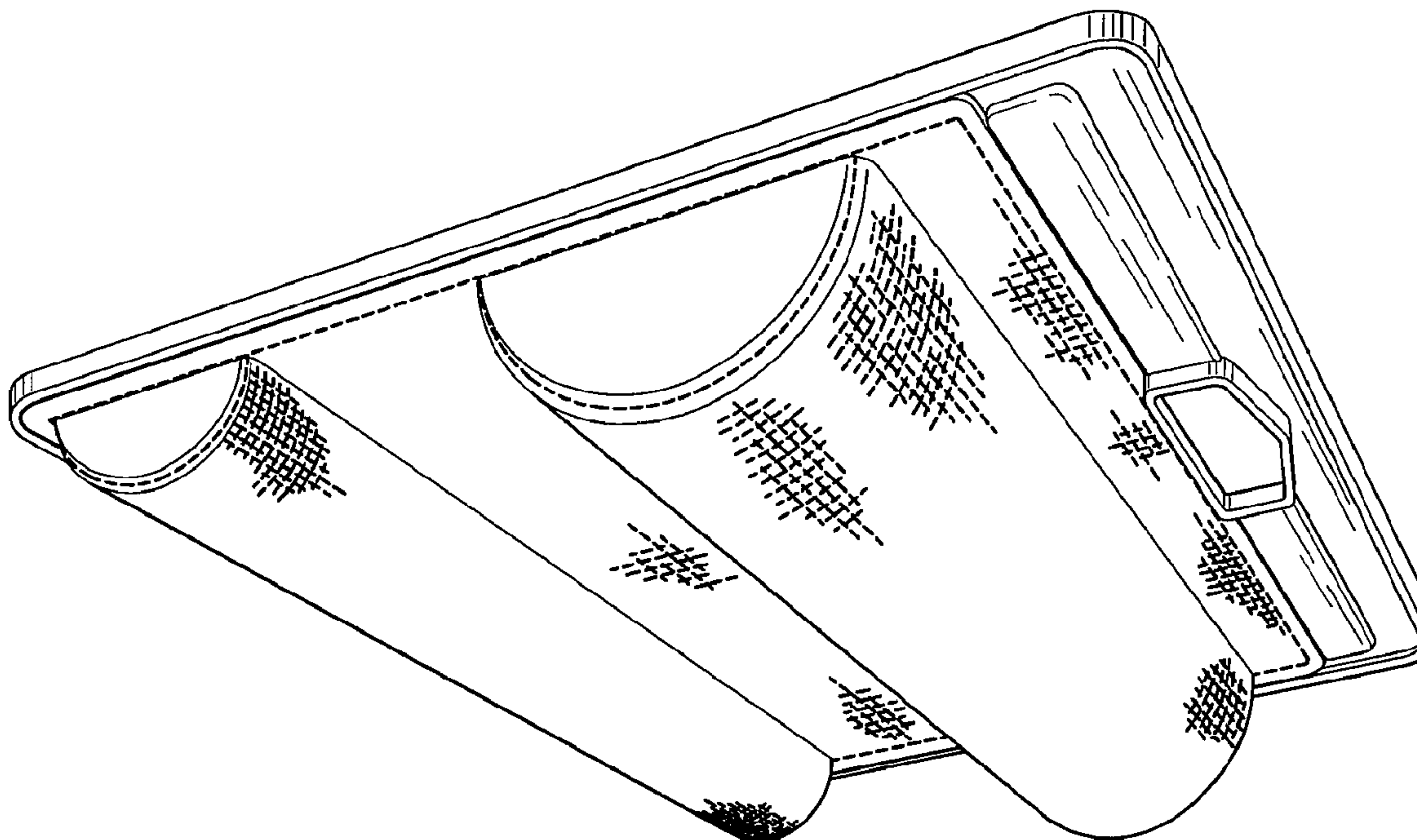
FIG. 5 is a rear elevational view thereof;

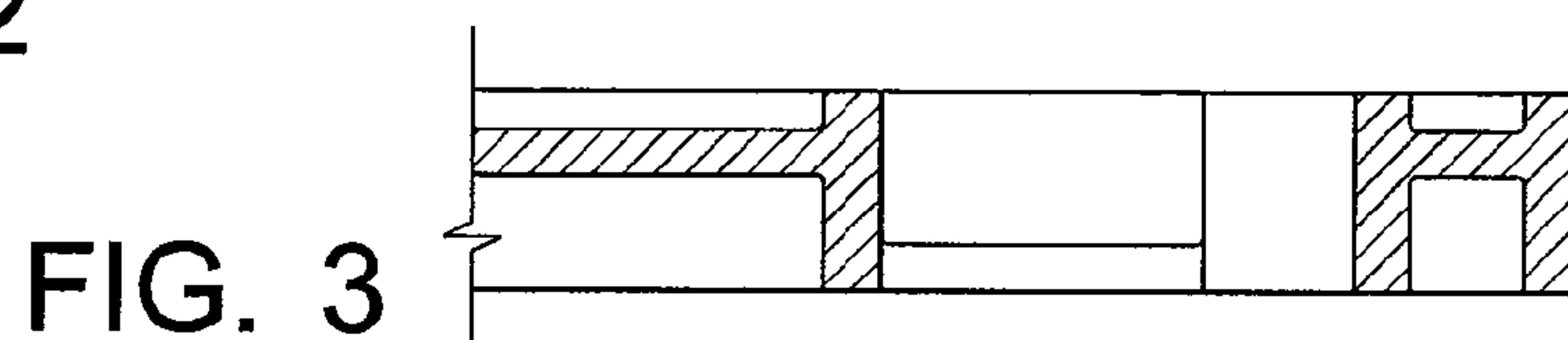
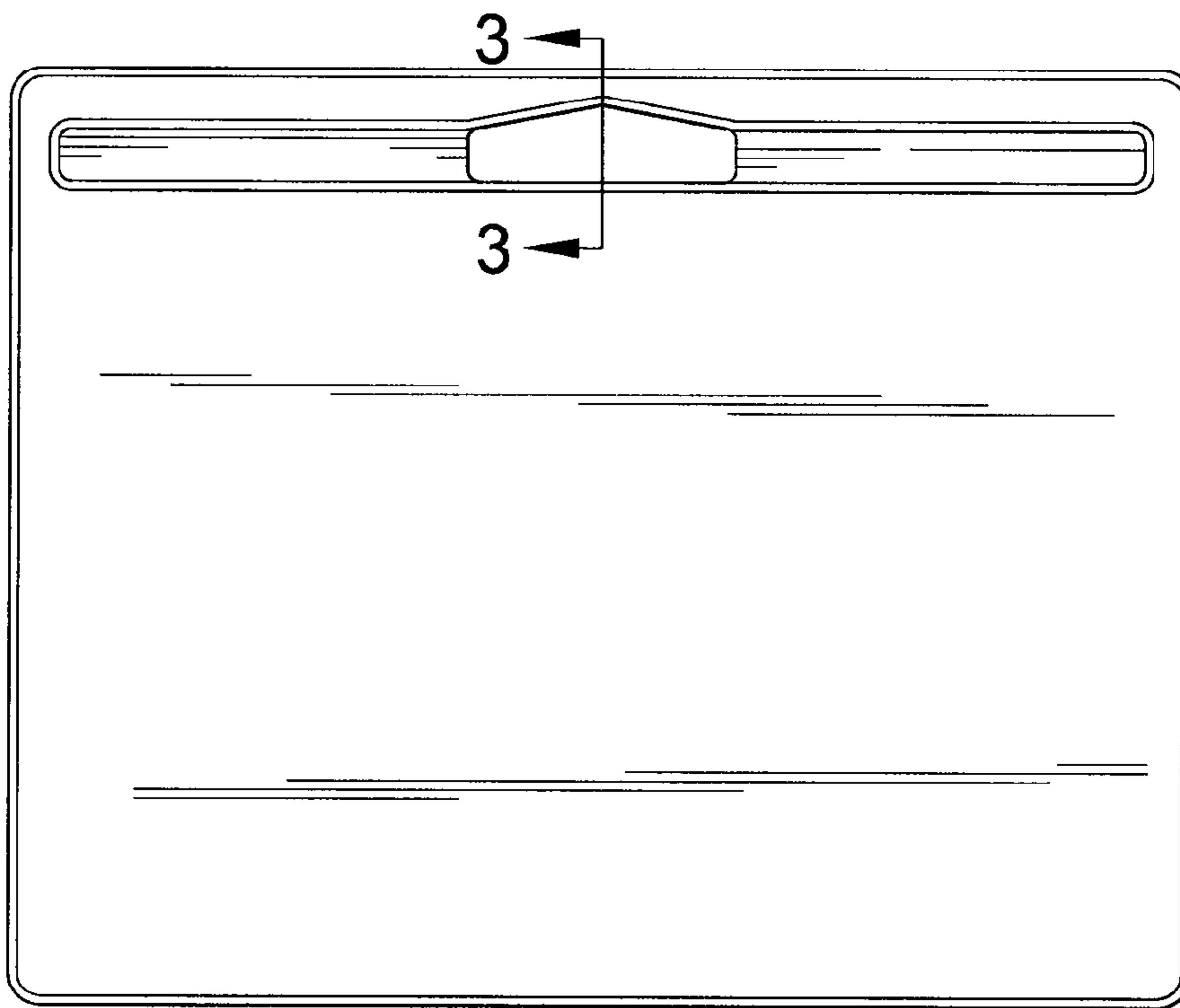
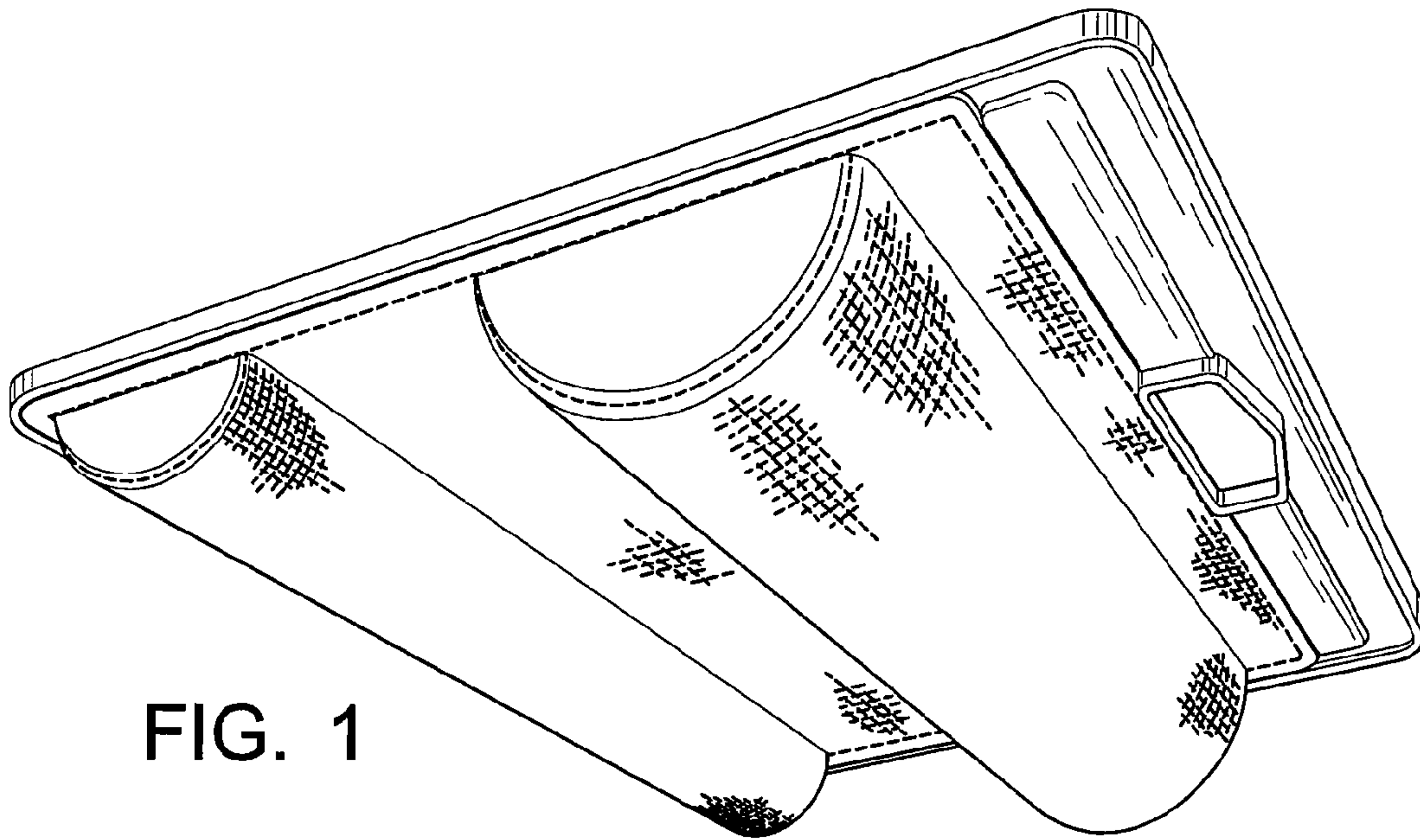
FIG. 6 is a left side elevational view thereof, the right side elevational view being a mirror image thereof; and,

FIG. 7 is a front elevational view thereof.

The broken lines shown in the drawings are included for the purpose of illustrating stitching. The textures shown in the drawings are applied throughout the areas indicated.

1 Claim, 2 Drawing Sheets





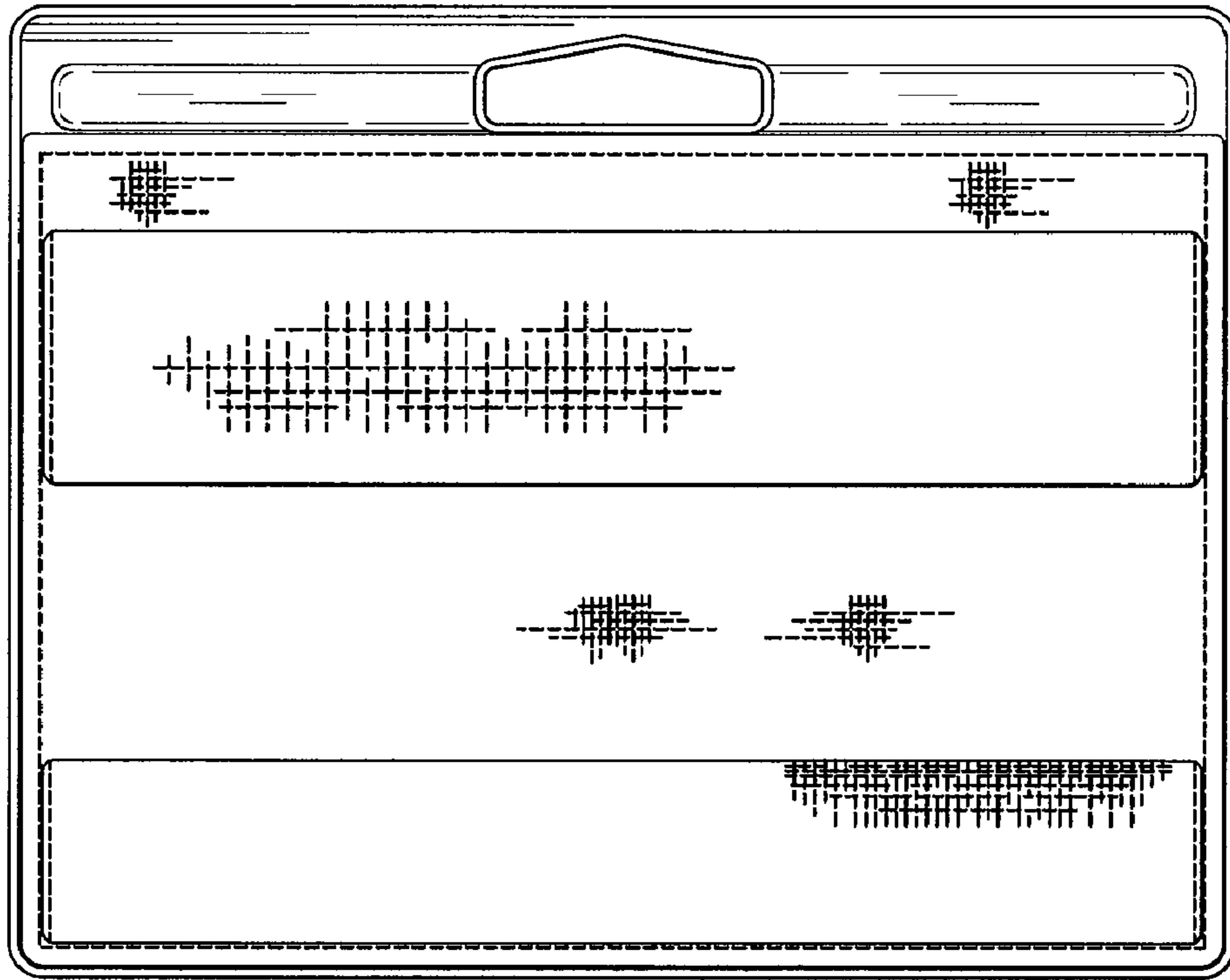


FIG. 4

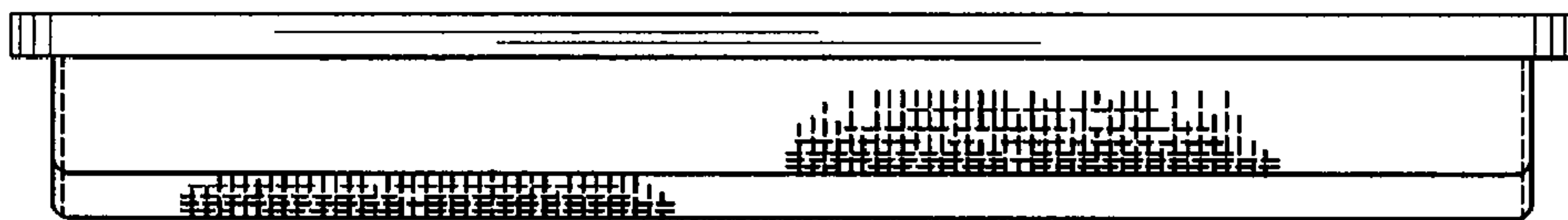


FIG. 5

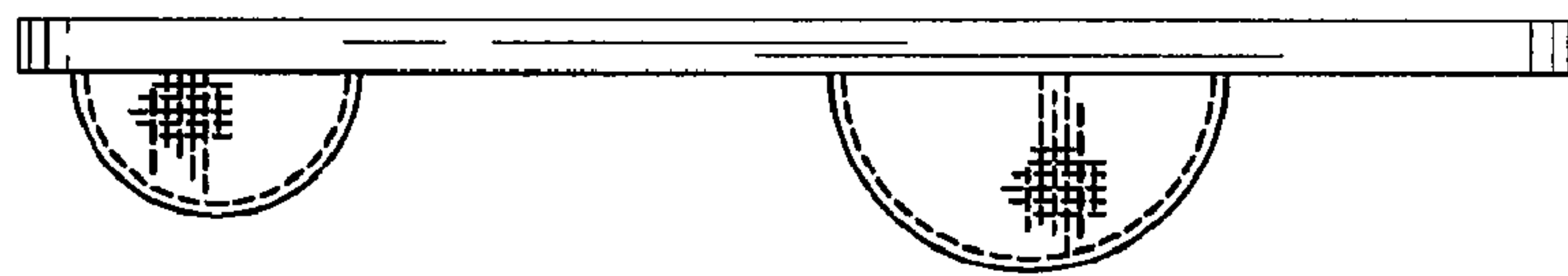


FIG. 6

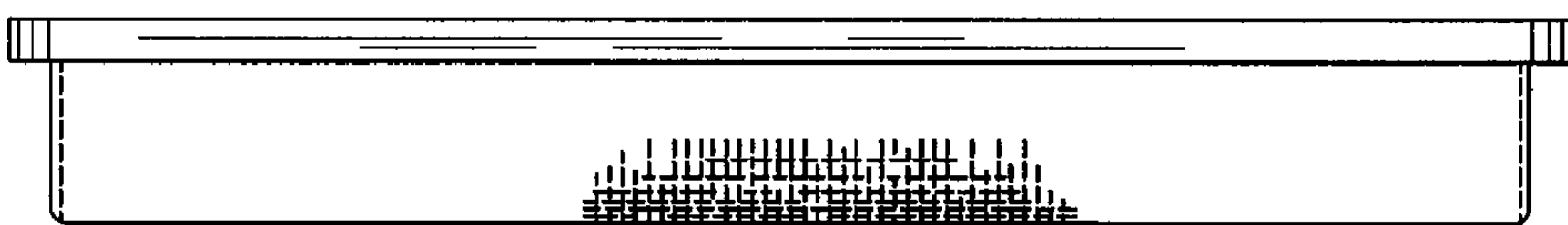


FIG. 7