



US00D583163S

(12) **United States Design Patent**
Jennings

(10) **Patent No.:** **US D583,163 S**
(45) **Date of Patent:** **** Dec. 23, 2008**

- (54) **LAP DESK**
- (75) Inventor: **Don Micheal Jennings**, Arlington, TX (US)
- (73) Assignee: **Creative Essentials, LLC**, Arlington, TX (US)
- (**) Term: **14 Years**
- (21) Appl. No.: **29/295,718**
- (22) Filed: **Oct. 4, 2007**
- (51) **LOC (8) Cl.** **06-06**
- (52) **U.S. Cl.** **D6/406.6**
- (58) **Field of Classification Search** D6/406.1-406.6, D6/429, 426, 440, 451, 489, 510, 511; D7/552.1, D7/552.2, 554.1, 554.4, 550.1, 554.2, 554.3, D7/566; 211/133.1, 85.31, 126.8, 126, 16, 211/133.5; 108/43, 157.1, 157.13; 434/432
See application file for complete search history.

- 6,044,758 A 4/2000 Drake
- D426,409 S * 6/2000 Clark et al. D6/511
- 6,234,085 B1 5/2001 Ramundo
- D443,999 S * 6/2001 Cable D6/406.4
- D452,867 S 1/2002 Goto
- 6,353,530 B1 3/2002 Zarek et al.
- 6,496,360 B1 12/2002 Cordes et al.
- 6,529,369 B1 3/2003 Zarek et al.
- 6,663,072 B1 12/2003 Ritchey et al.
- 6,675,721 B2 1/2004 Zeiders
- D488,816 S 4/2004 Tyler et al.
- 6,757,159 B2 6/2004 Zarek et al.
- 6,894,894 B2 5/2005 Zarek et al.
- D512,245 S 12/2005 Bean et al.
- 7,121,214 B1 10/2006 Toltzman et al.

* cited by examiner

Primary Examiner—Charles A Rademaker
Assistant Examiner—Charles D Hanson
(74) *Attorney, Agent, or Firm*—Locke Lord Bissell & Liddell, LLP

(56) **References Cited**
U.S. PATENT DOCUMENTS

- 1,364,022 A 12/1920 Bauer
- 4,052,944 A 10/1977 Jennings
- D276,732 S * 12/1984 Marquez D19/52
- D312,358 S * 11/1990 Horne D12/426.1
- 5,090,334 A 2/1992 Sutton
- 5,127,339 A 7/1992 Hood, Jr.
- D335,226 S * 5/1993 Horne D12/426.1
- D335,227 S * 5/1993 Lapsker et al. D6/449
- D354,636 S * 1/1995 Cable D6/406.4
- 5,460,102 A 10/1995 Pasmanick
- D371,644 S * 7/1996 Lillelund et al. D30/133
- D376,948 S 12/1996 Sullins et al.
- 5,598,786 A 2/1997 Patterson
- D390,718 S 2/1998 Howland et al.
- D418,327 S 1/2000 Sullins et al.

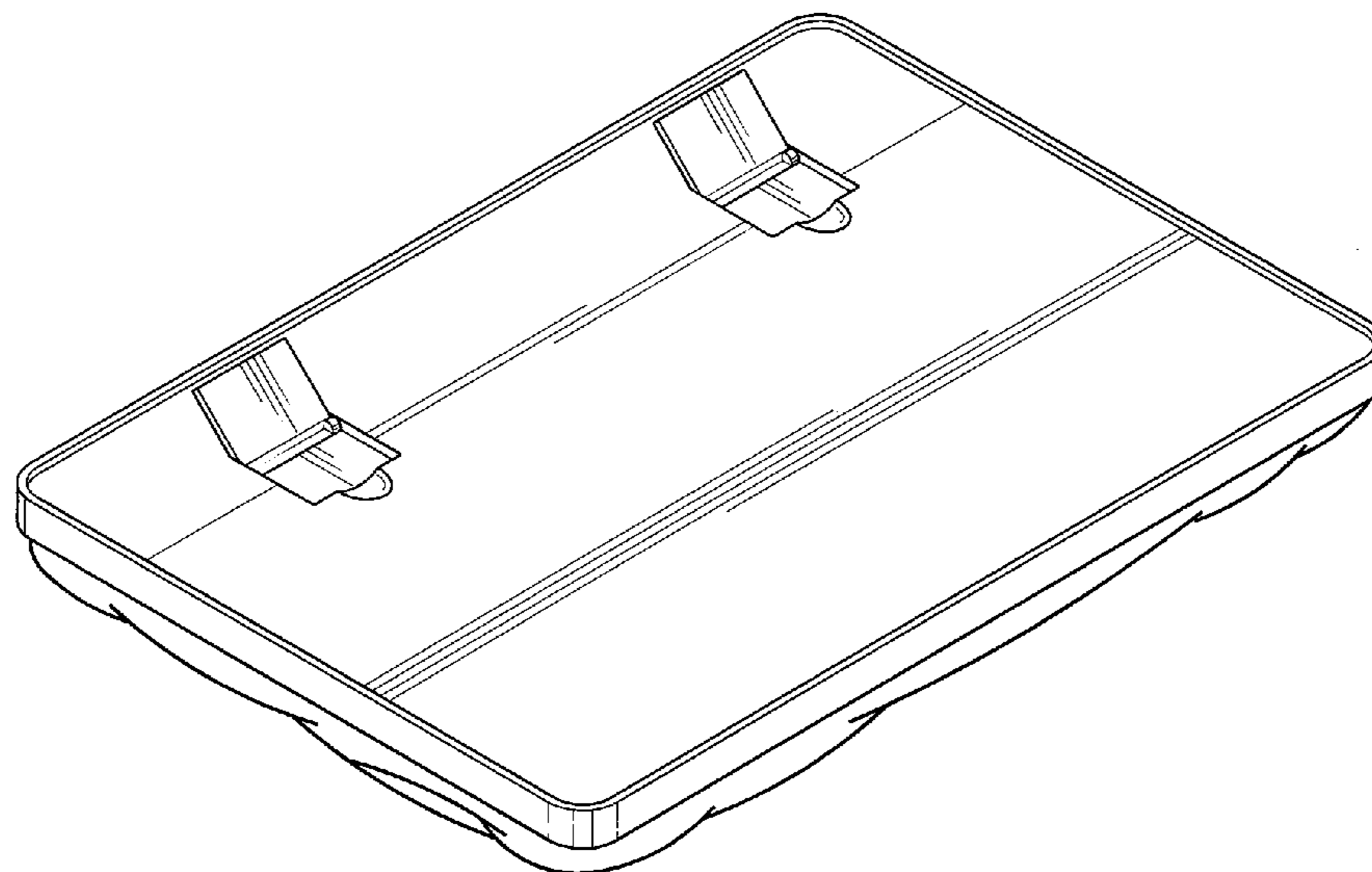
(57) **CLAIM**

The ornamental design for a lap desk, as shown and described.

DESCRIPTION

FIG. 1 is a perspective view of a lap desk, showing my new design;
FIG. 2 is a top plan view thereof;
FIG. 3 is a bottom plan view thereof;
FIG. 4 is a front elevational view thereof;
FIG. 5 is a left side elevational view thereof, the right side elevational view being a mirror image thereof; and,
FIG. 6 is a rear elevational view thereof.

1 Claim, 2 Drawing Sheets



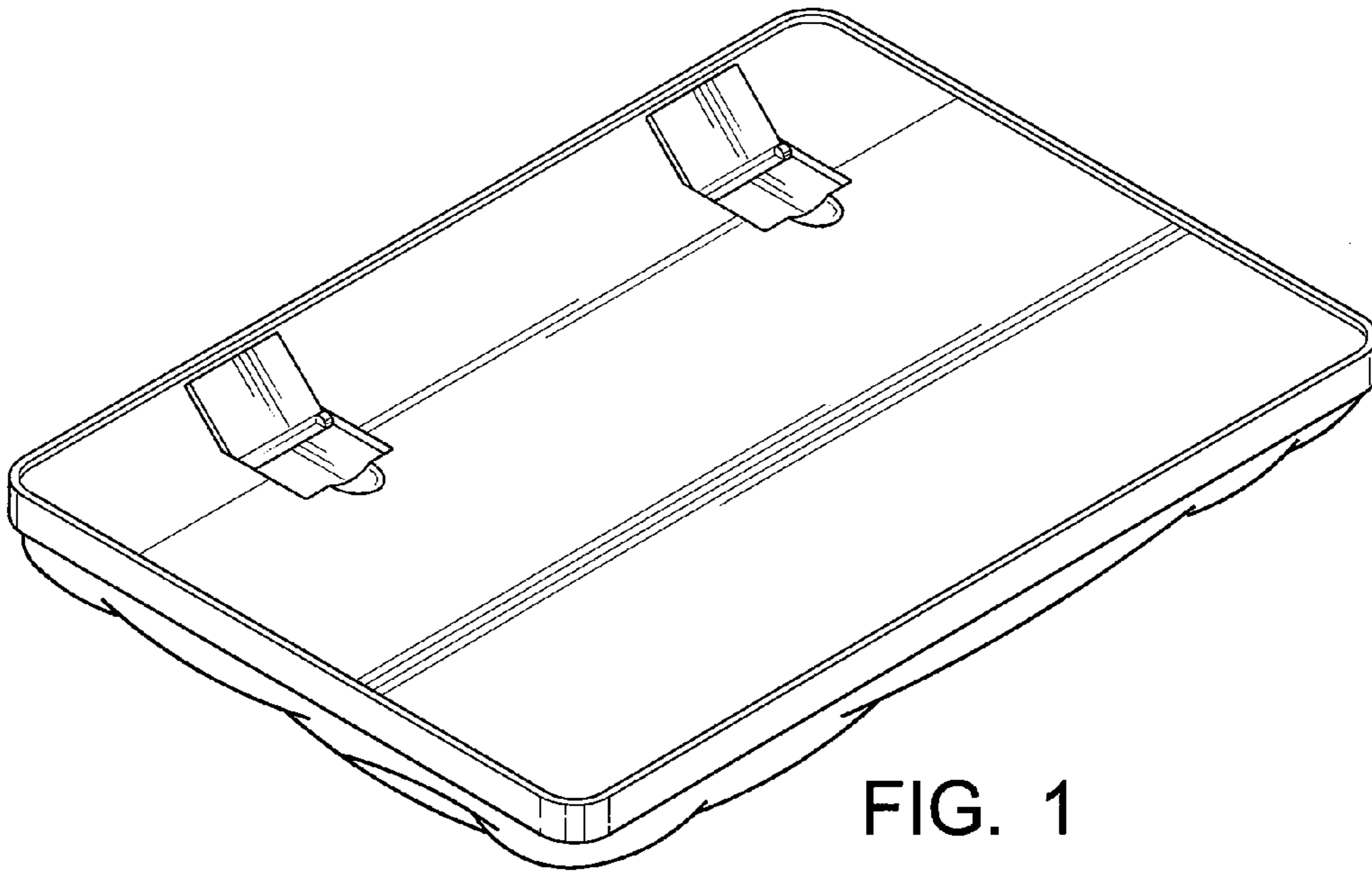


FIG. 1

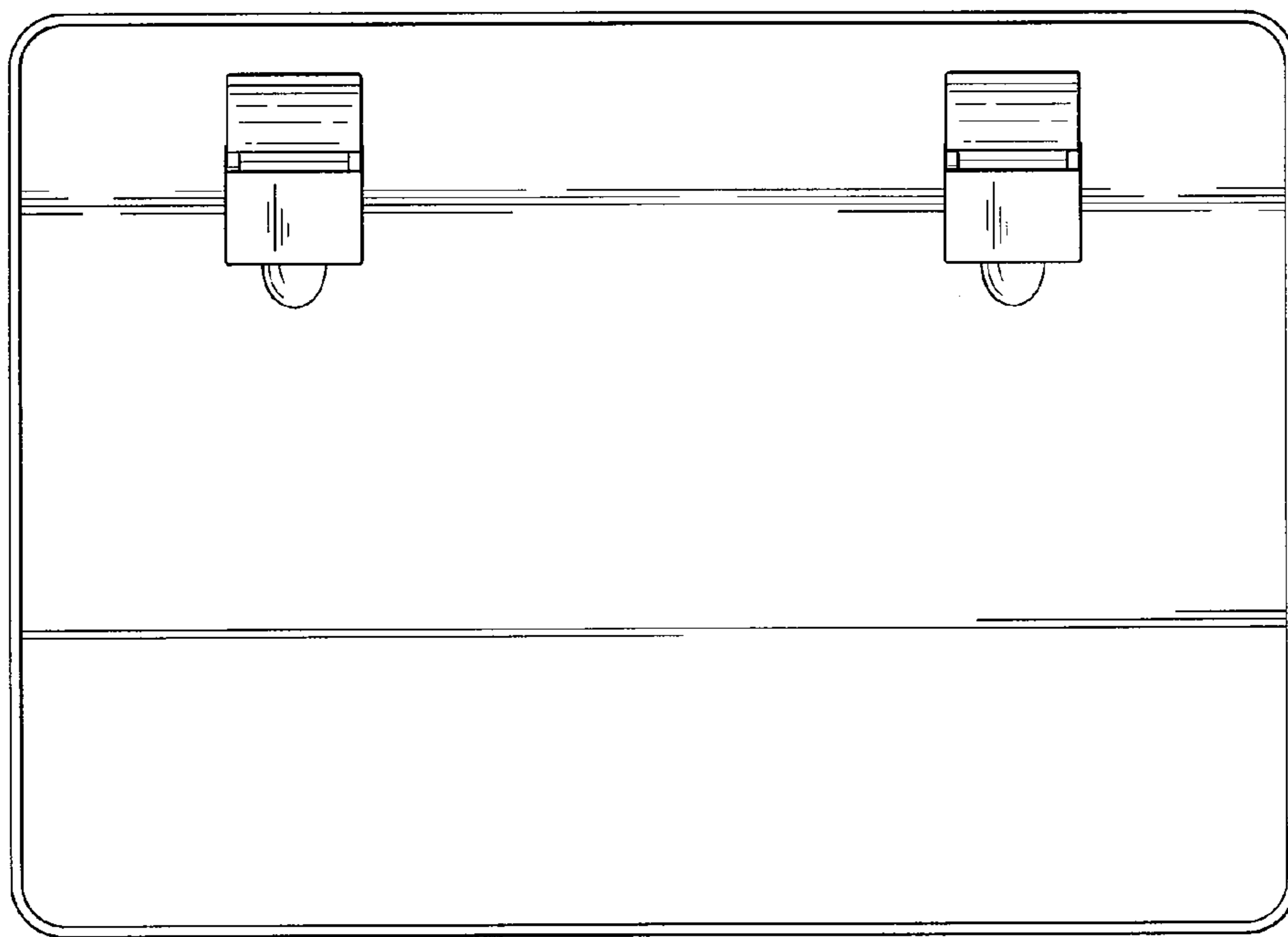


FIG. 2

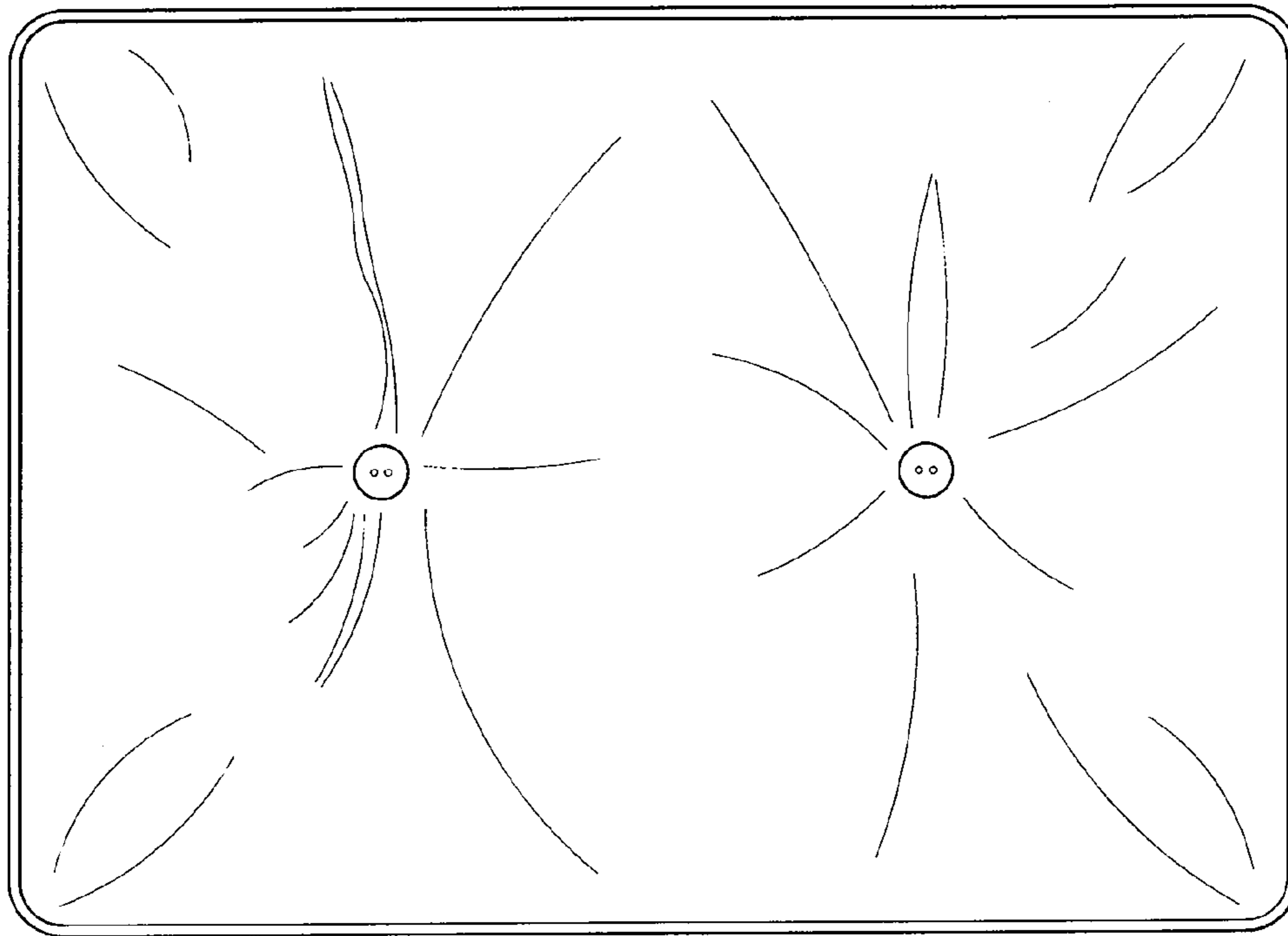


FIG. 3

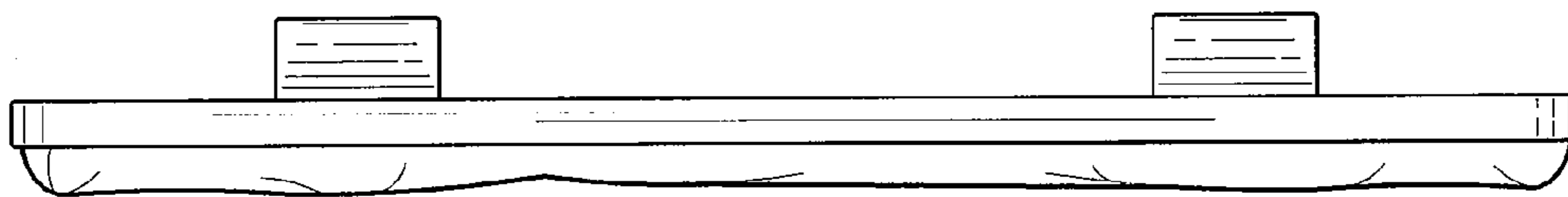


FIG. 4

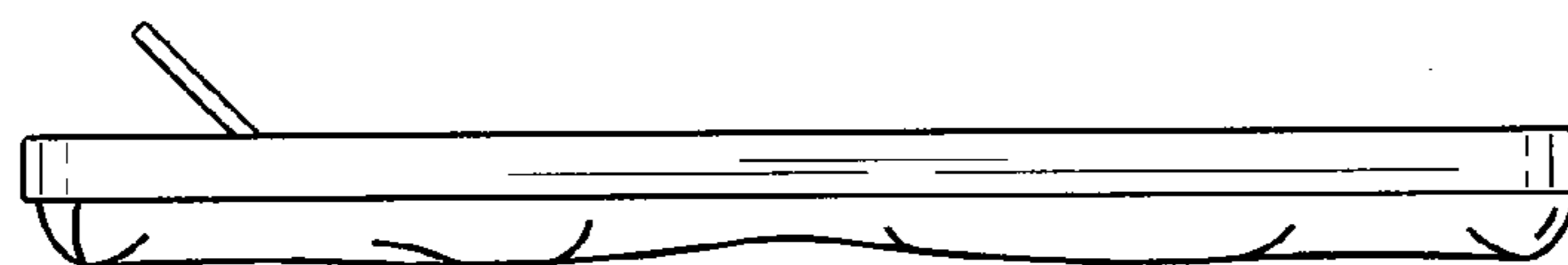


FIG. 5

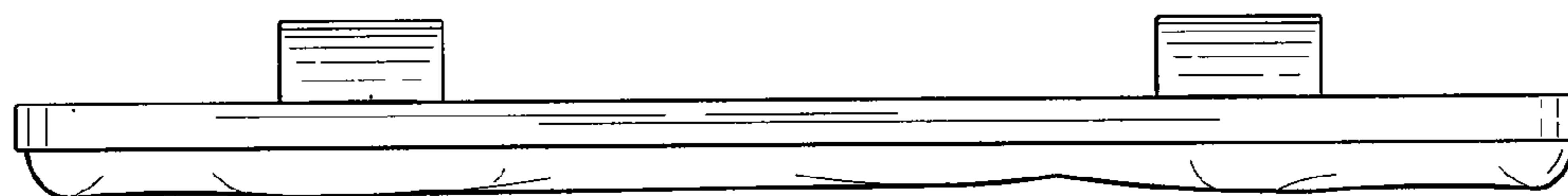


FIG. 6