



US00D583161S

(12) **United States Design Patent**
Huang

(10) **Patent No.:** **US D583,161 S**

(45) **Date of Patent:** **** Dec. 23, 2008**

(54) **CHAIR**

(76) **Inventor:** **William W. Huang**, 5353 Jillson St.,
Commerce, CA (US) 90040

(**) **Term:** **14 Years**

(21) **Appl. No.:** **29/317,942**

(22) **Filed:** **May 9, 2008**

(51) **LOC (8) Cl.** **06-01**

(52) **U.S. Cl.** **D6/366**

(58) **Field of Classification Search** D6/334-336,
D6/356, 364, 365, 366, 367, 368, 374, 379,
D6/380, 498, 500-502; 297/411.27, 411.28,
297/452.21, 452.24, 452.29, 452.32, 452.37,
297/452.48

See application file for complete search history.

(56) **References Cited**

U.S. PATENT DOCUMENTS

D330,810 S * 11/1992 Stafford D6/366
D369,688 S * 5/1996 Dammerman D6/366
D496,535 S * 9/2004 Goodworth D6/366

D557,027 S * 12/2007 Hara D6/366
D570,126 S * 6/2008 Zhang D6/366
D572,924 S * 7/2008 Huang D6/366

* cited by examiner

Primary Examiner—Mimosa De
(74) *Attorney, Agent, or Firm*—Jen-Feng Lee, Esq.

(57) **CLAIM**

I claim the ornamental design for a chair, as shown and described.

DESCRIPTION

FIG. 1 shows the perspective view of a chair showing my new design,

FIG. 2 shows the front view thereof,

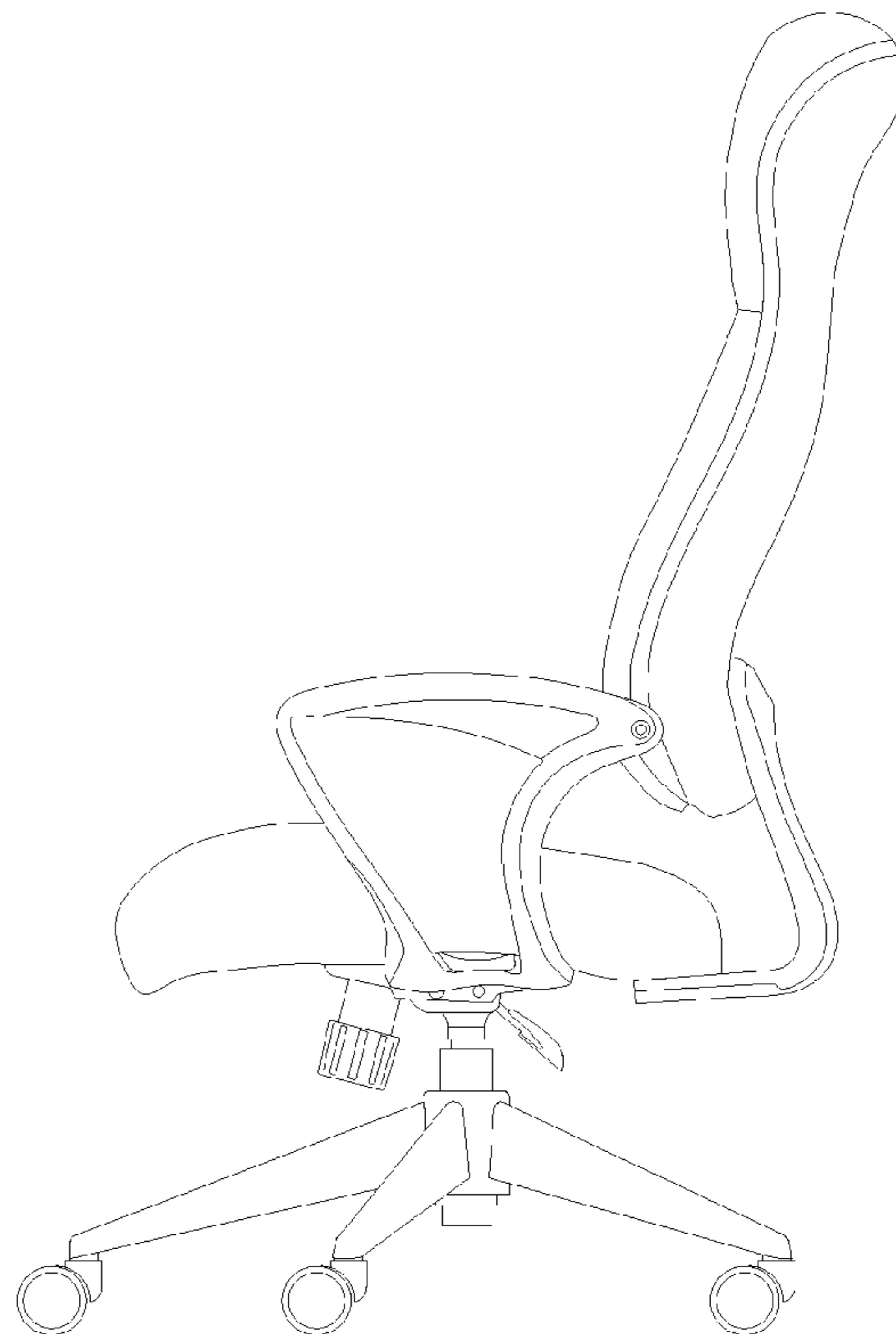
FIG. 3 shows the left side view thereof,

FIG. 4 shows the right side view thereof,

FIG. 5 shows the rear view thereof; and,

FIG. 6 shows the top plan view thereof.

1 Claim, 6 Drawing Sheets



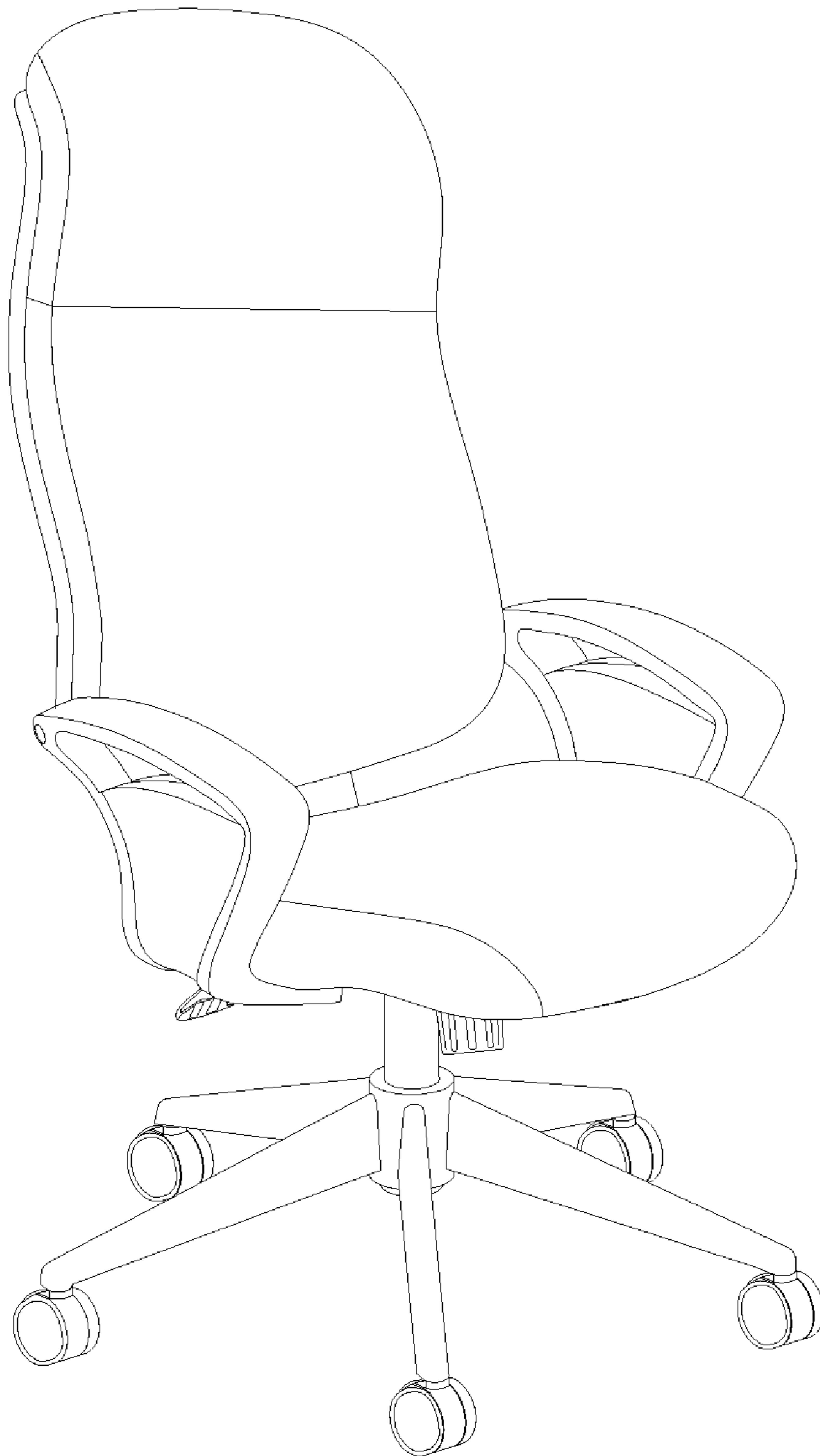


Figure 1

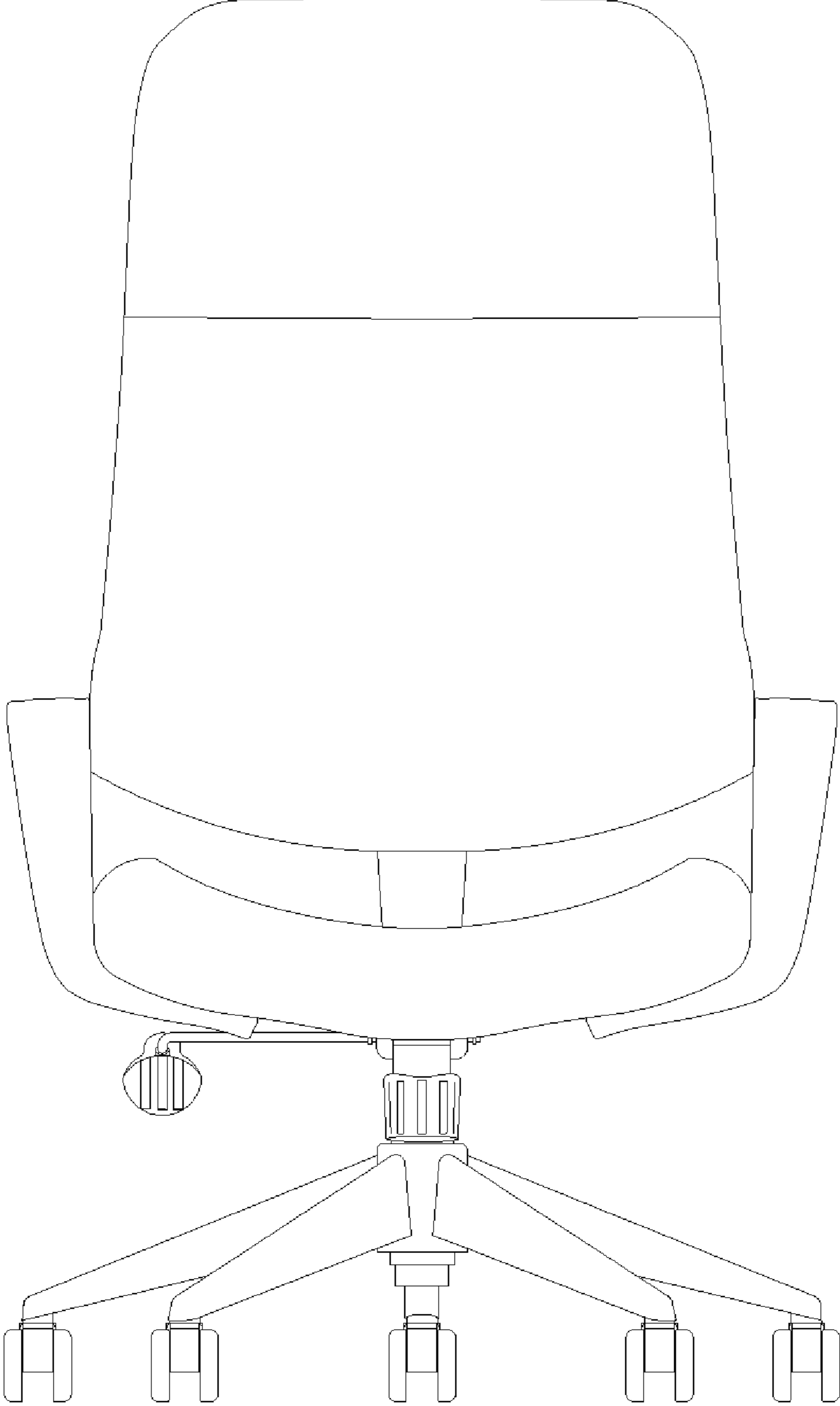


Figure 2

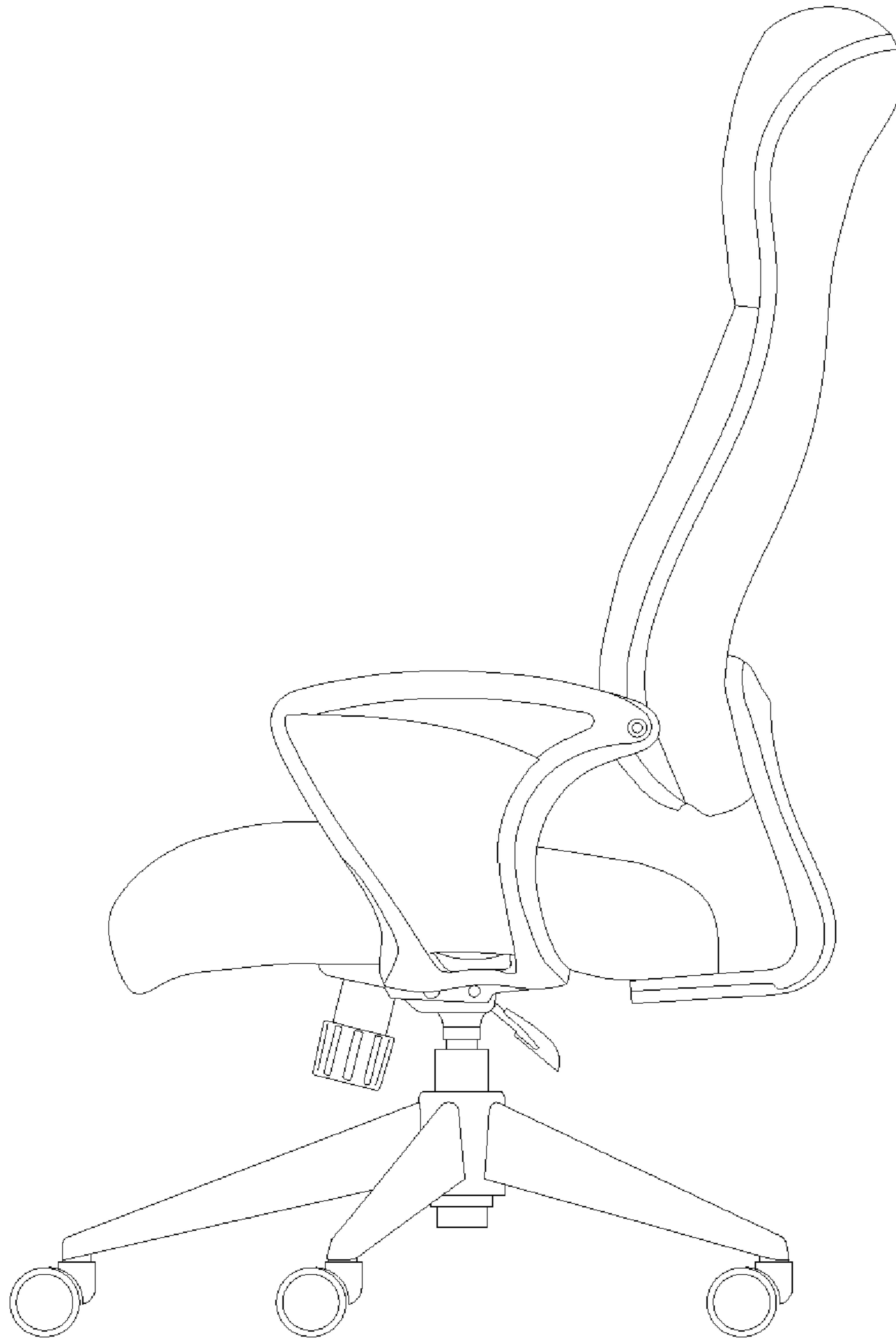


Figure 3

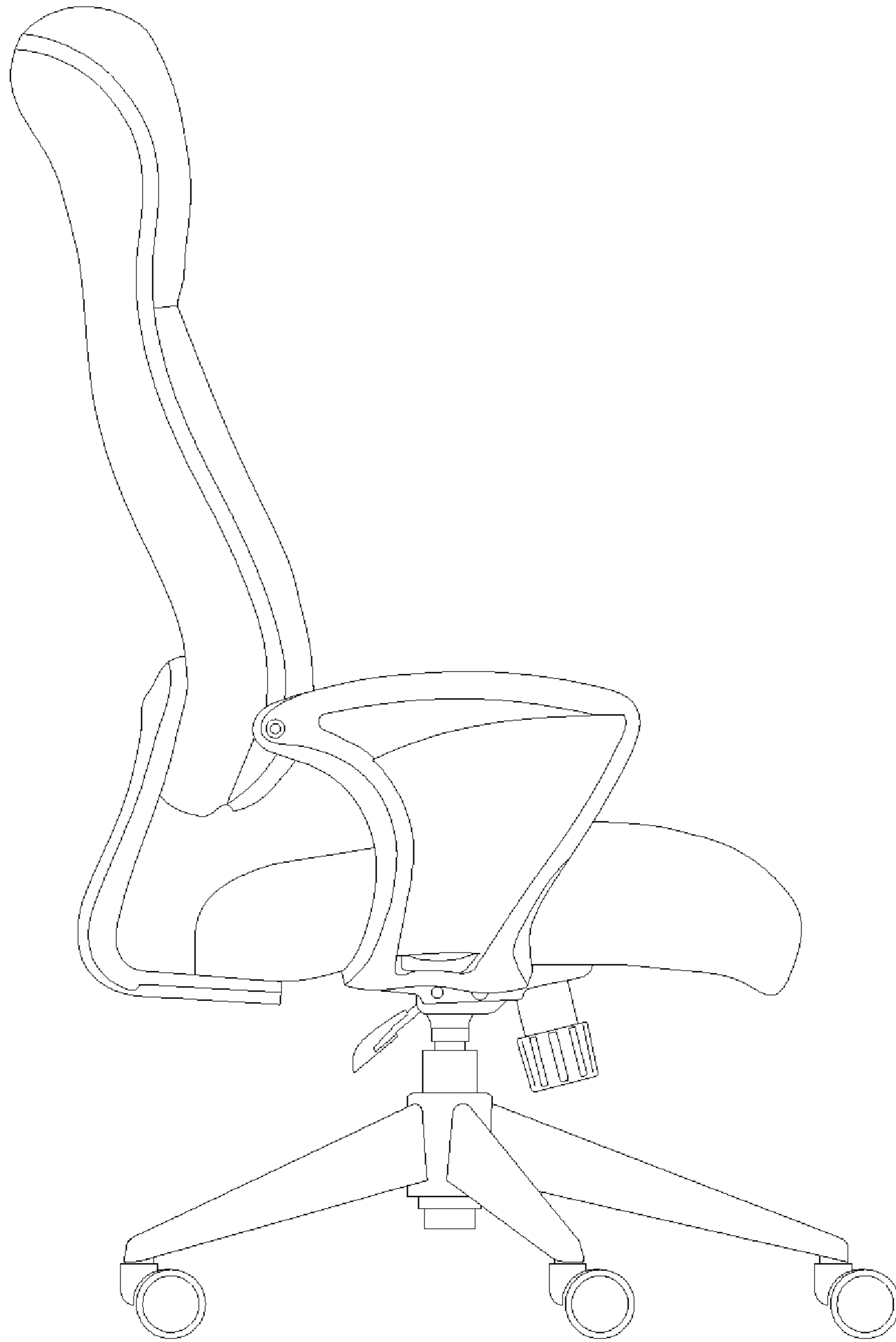


Figure 4

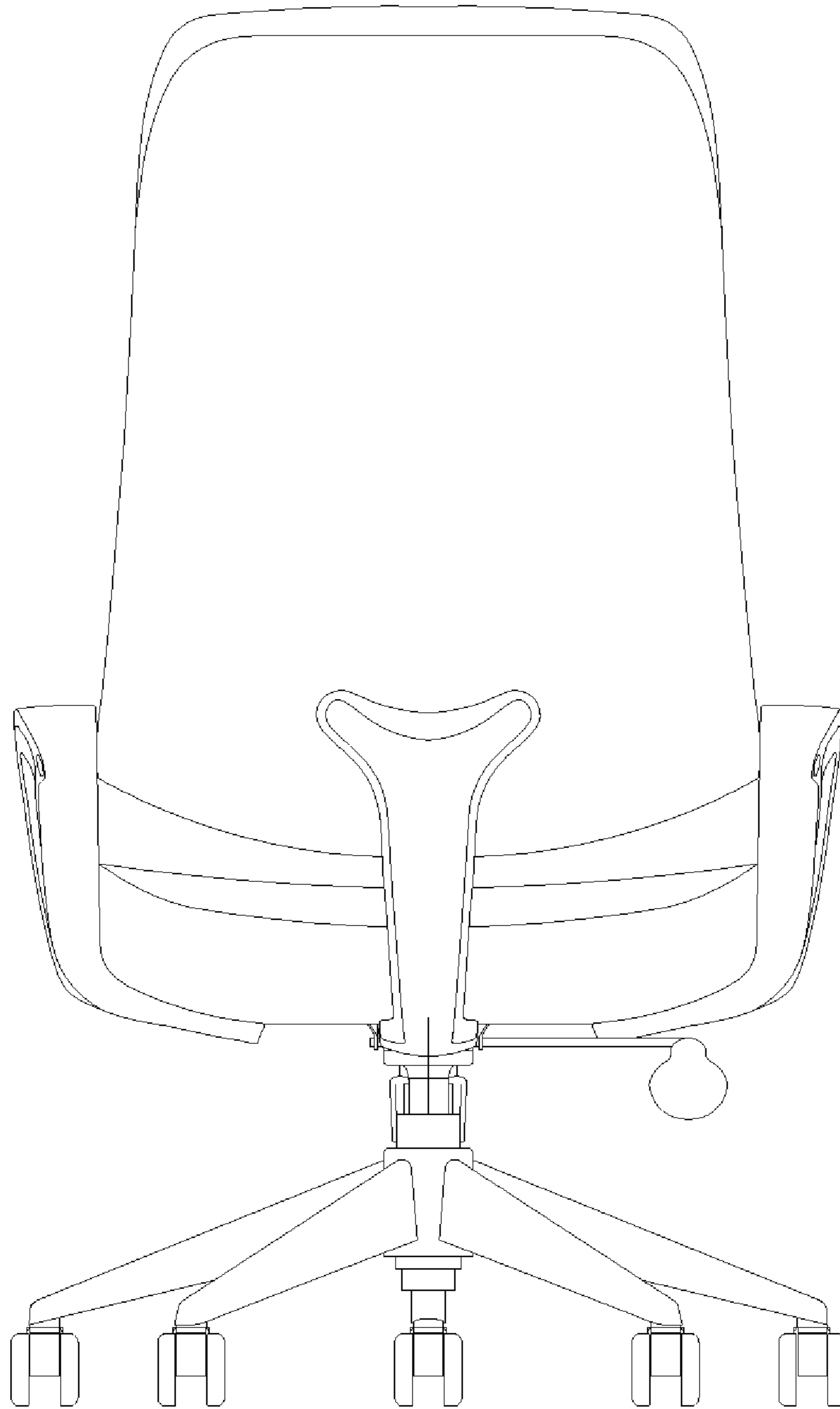


Figure 5

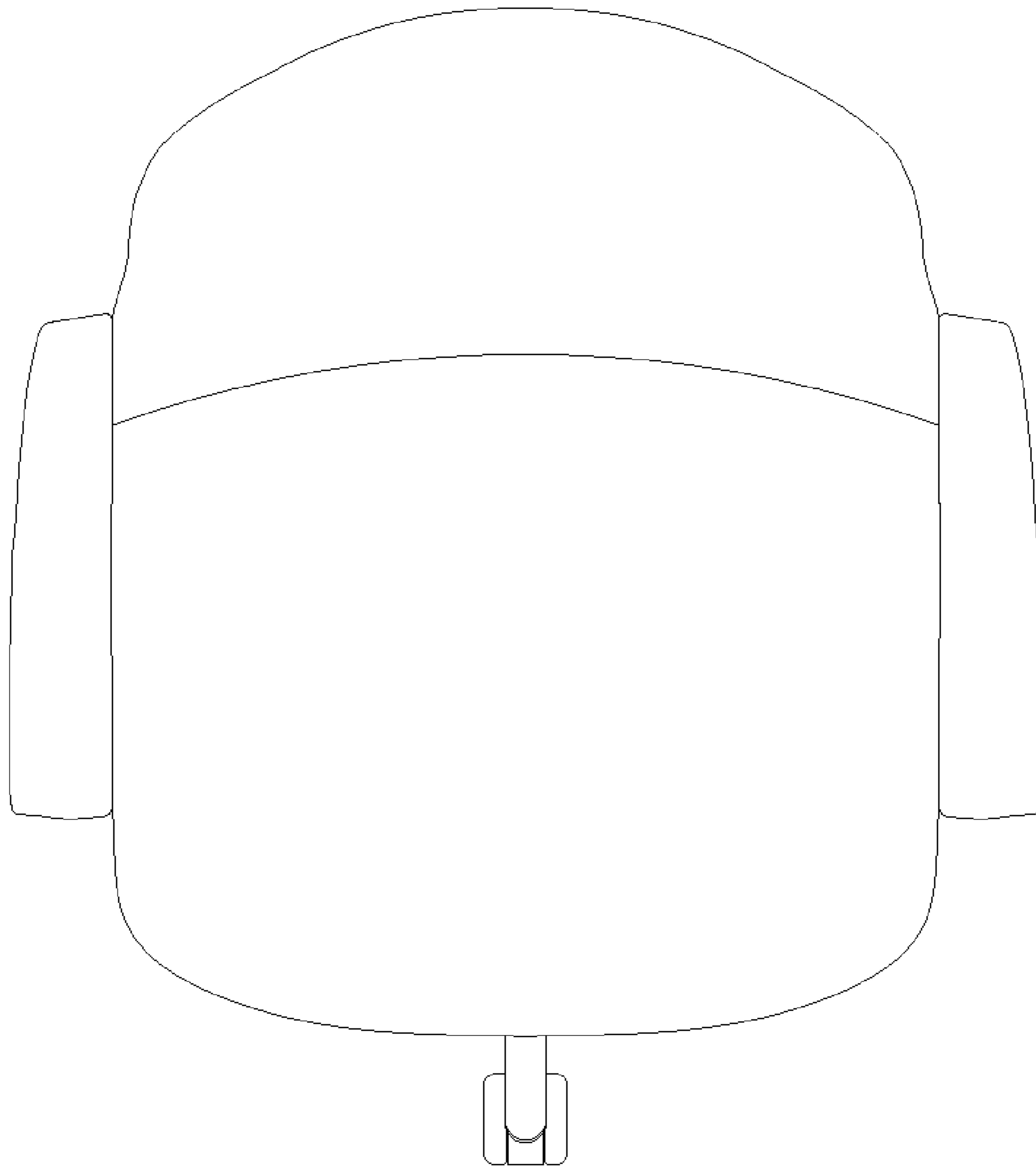


Figure 6