



US00D583158S

(12) **United States Design Patent**
Chiu et al.

(10) **Patent No.:** **US D583,158 S**

(45) **Date of Patent:** **** Dec. 23, 2008**

(54) **SUSTAINABLE FRAME**

(76) Inventors: **Po-Sen Chiu**, 7F., No. 158, Gancheng Rd., Banciao City, Taipei County (TW);
Ching-Hui Yen, 7F., No. 158, Gancheng Rd., Banciao City, Taipei County (TW)

(**) Term: **14 Years**

(21) Appl. No.: **29/274,177**

(22) Filed: **Apr. 3, 2007**

(51) **LOC (8) Cl.** **06-04**

(52) **U.S. Cl.** **D6/304**

(58) **Field of Classification Search** D6/449,
D6/304, 466, 441, 462, 397, 509; D14/449,
D14/447, 251, 239, 224, 451, 452, 432; 248/146,
248/149, 121, 300; D8/355

See application file for complete search history.

(56) **References Cited**

U.S. PATENT DOCUMENTS

- D364,757 S * 12/1995 Jaeger D6/449
- D462,359 S * 9/2002 Scharer et al. D14/452
- D472,556 S * 4/2003 Scharer et al. D14/452
- D549,232 S * 8/2007 Li et al. D14/447

- D557,265 S * 12/2007 Brown D14/447
- D562,114 S * 2/2008 Chiu et al. D8/363
- 2007/0045494 A1 * 3/2007 Teng 248/300

* cited by examiner

Primary Examiner—Caron Veynar

Assistant Examiner—Sydney R Buffalow

(74) *Attorney, Agent, or Firm*—Rosenberg, Klein & Lee

(57) **CLAIM**

The ornamental design for a “a sustainable frame,” as shown and described.

DESCRIPTION

FIG. 1 is a perspective view of a sustainable frame showing our new design;

FIG. 2 is a front view thereof;

FIG. 3 is a rear view thereof;

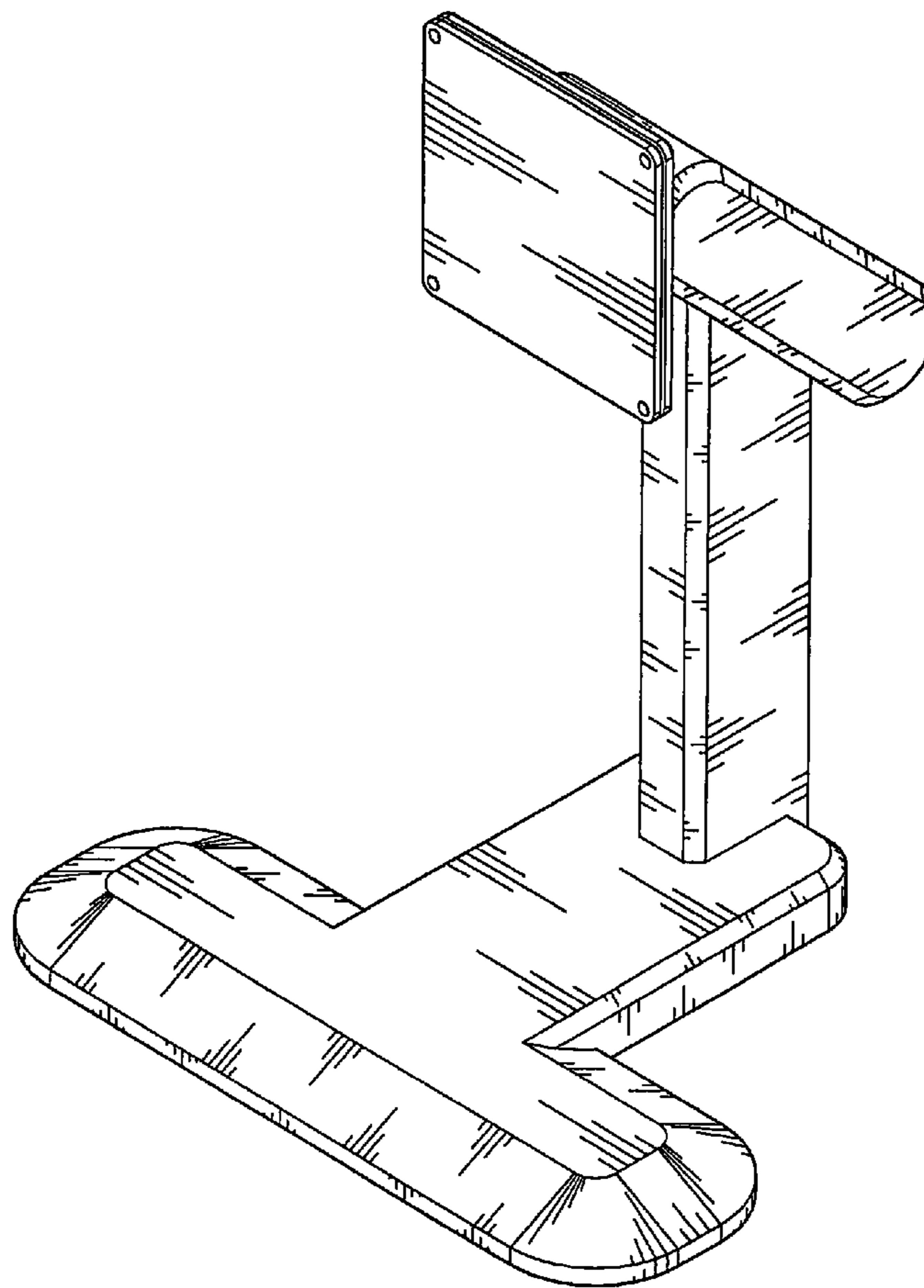
FIG. 4 is a left side view thereof;

FIG. 5 is a right side view thereof;

FIG. 6 is a top view thereof; and,

FIG. 7 is a bottom view thereof.

1 Claim, 7 Drawing Sheets



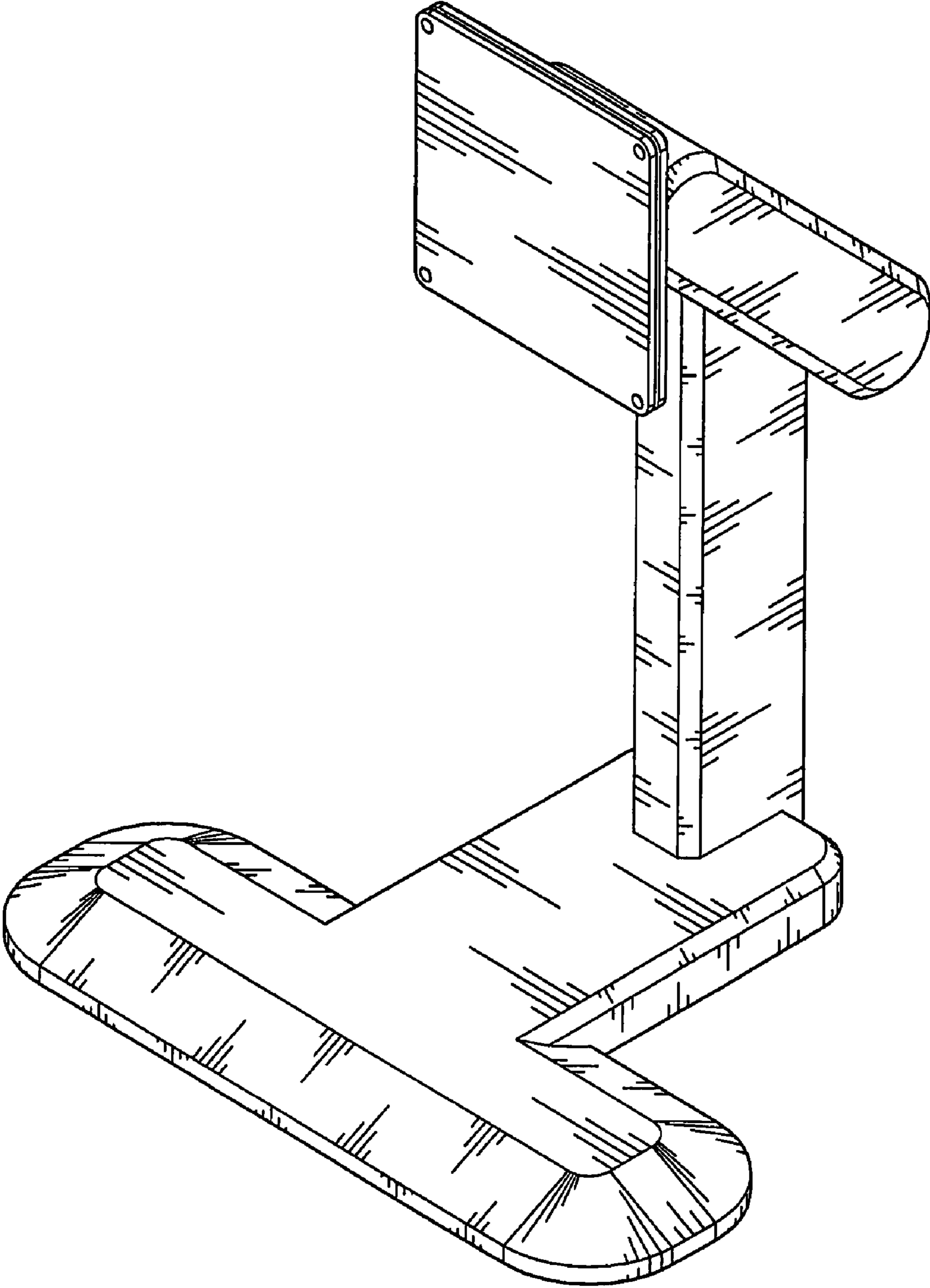


FIG. 1

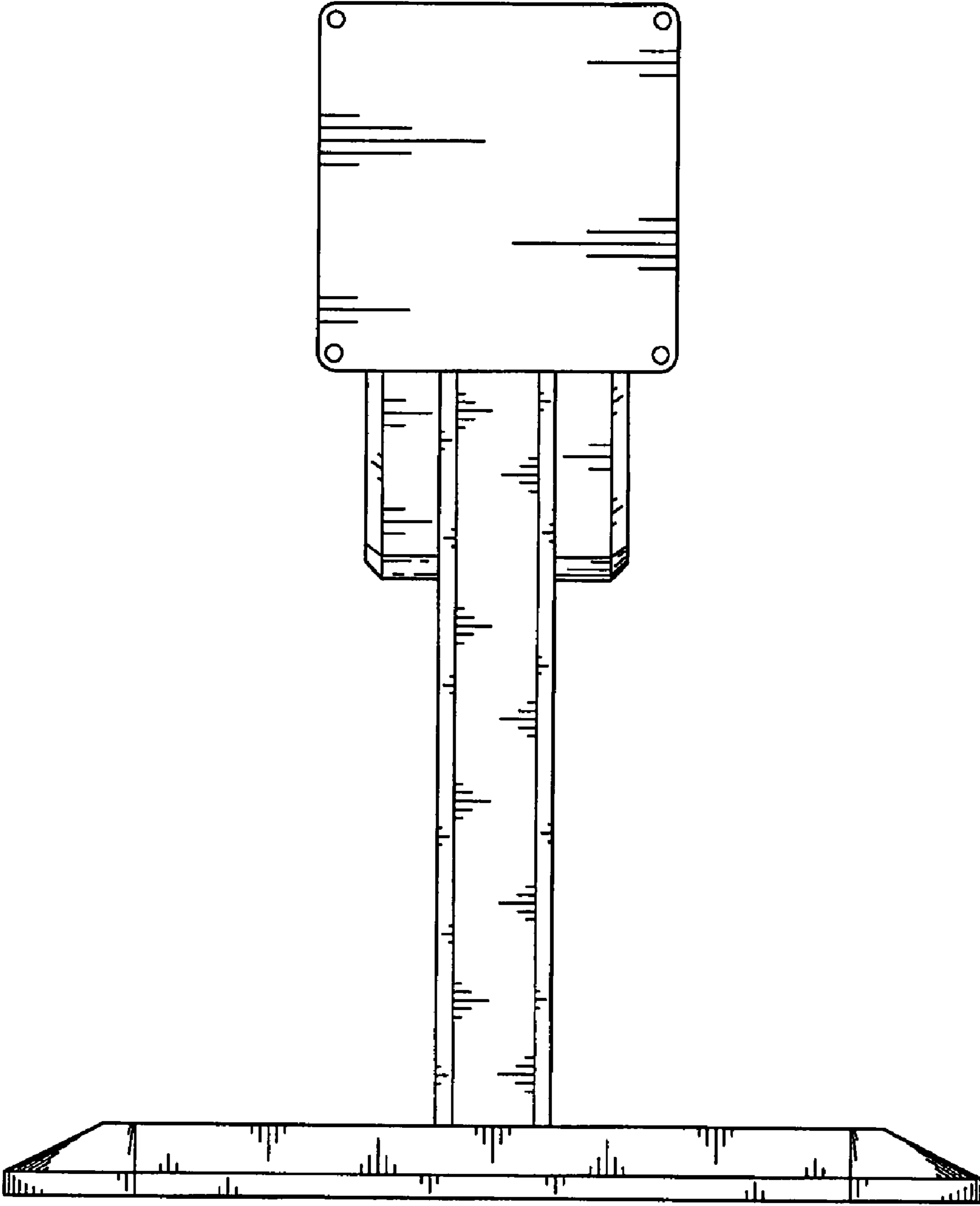


FIG. 2

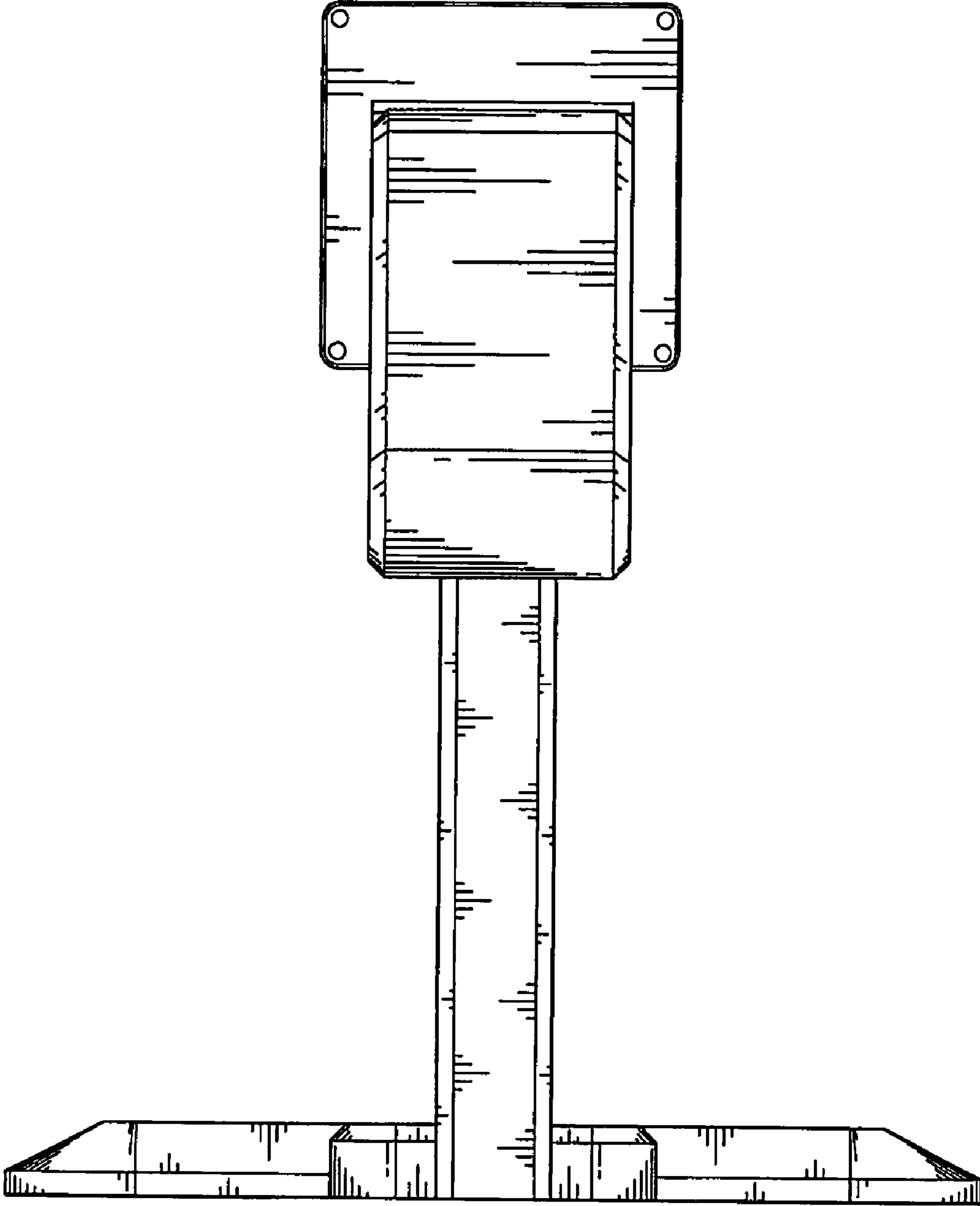


FIG. 3

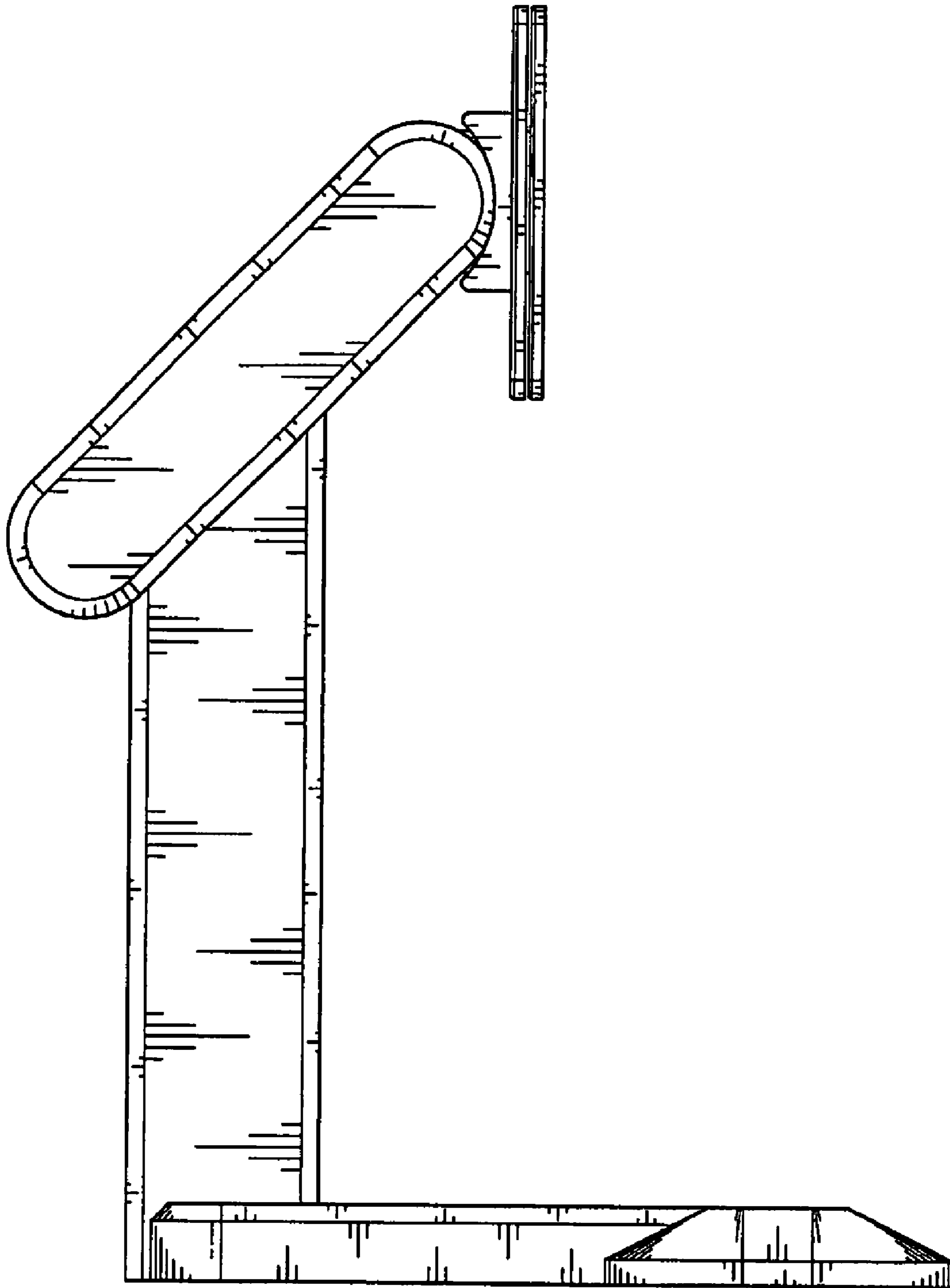


FIG. 4

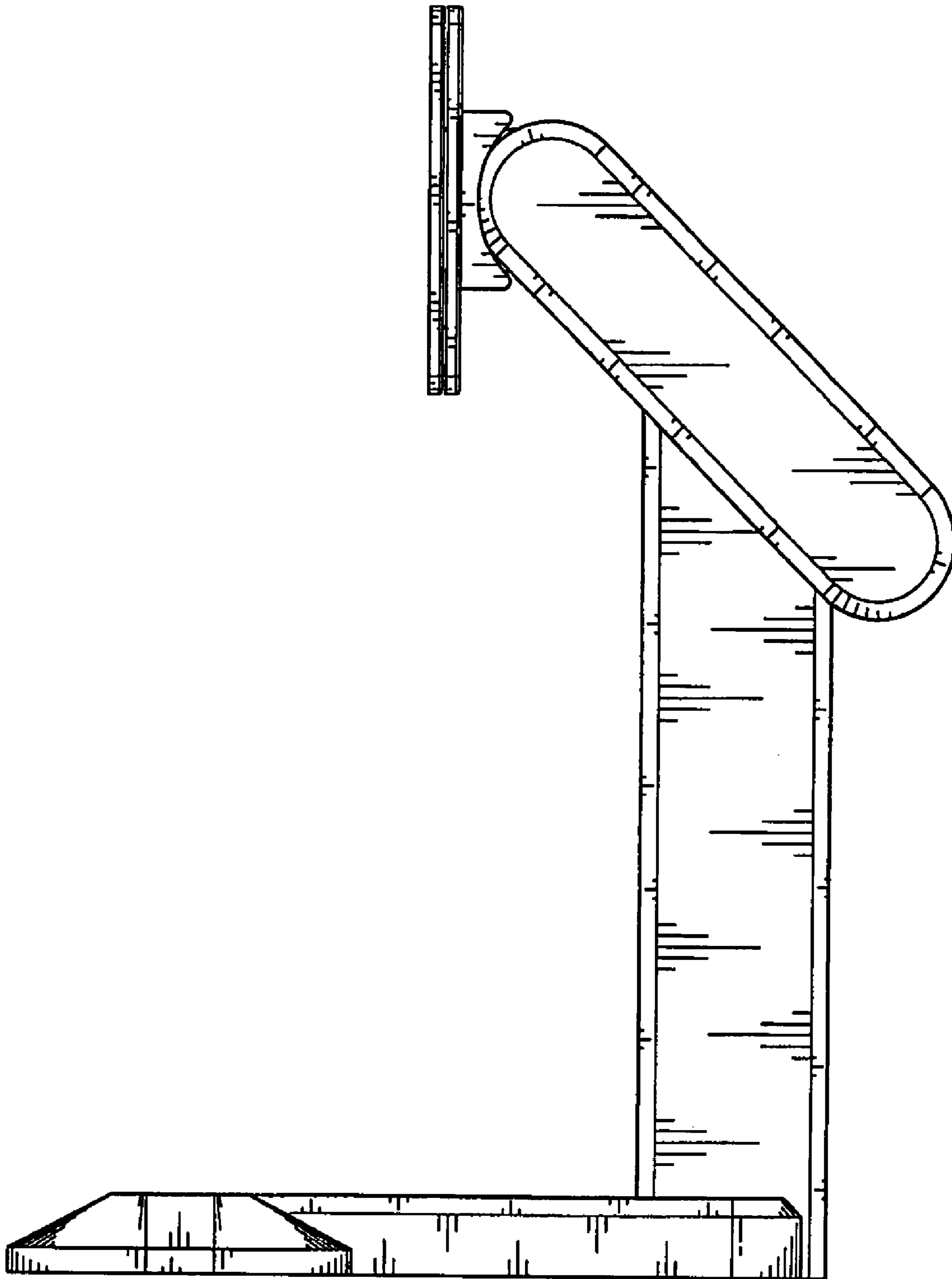


FIG. 5

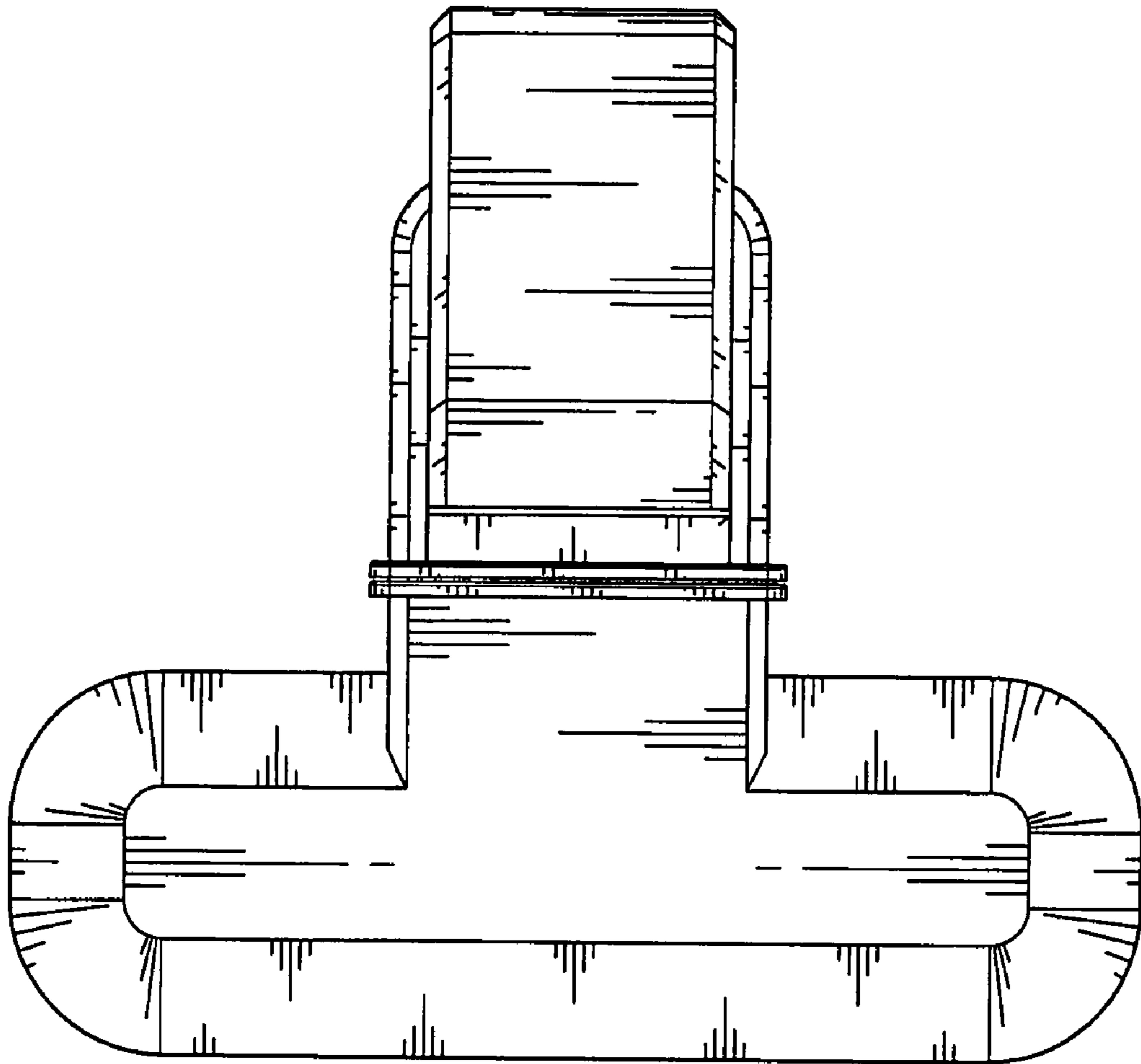


FIG. 6

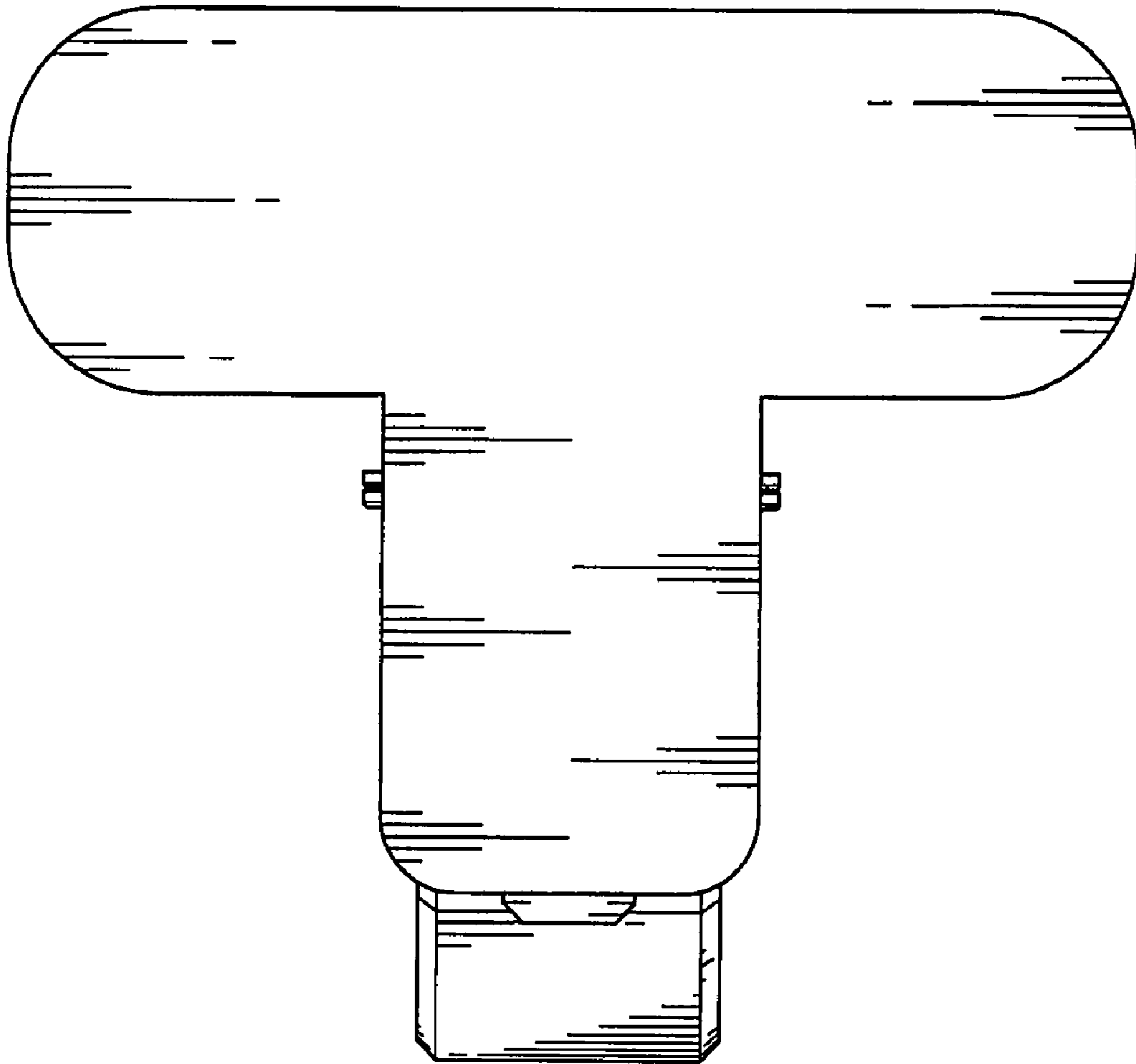


FIG. 7