



US00D583153S

(12) **United States Design Patent**
Wu

(10) **Patent No.:** **US D583,153 S**
(45) **Date of Patent:** **** Dec. 23, 2008**

(54) **LEATHER HANDLE**

(75) Inventor: **Chen-Chuan Wu**, hsin Chuang, Taipei
Hsien (TW)

(73) Assignee: **Hersun Plastic Co., Ltd**, Taipei (TW)

(**) Term: **14 Years**

(21) Appl. No.: **29/276,029**

(22) Filed: **Jan. 12, 2007**

(51) **LOC (8) Cl.** **03-01**

(52) **U.S. Cl.** **D3/318**

(58) **Field of Classification Search** D3/318,
D3/279, 282, 324, 328; D8/302, 306, 316,
D8/317; 190/18 A, 39, 102-103, 111, 115;
16/110.1, 110.3, 113.1

See application file for complete search history.

(56) **References Cited**

U.S. PATENT DOCUMENTS

D460,265 S *	7/2002	Chang	D3/318
D471,715 S *	3/2003	Wu	D3/318
D504,773 S *	5/2005	Lu	D3/318
6,918,475 B2 *	7/2005	Lin et al.	190/115
D528,302 S *	9/2006	Moon	D3/318
D552,850 S *	10/2007	Wu	D3/318

D553,363 S *	10/2007	Chen	D3/318
D553,364 S *	10/2007	Moon	D3/318
7,278,182 B2 *	10/2007	Wu	16/113.1
D554,372 S *	11/2007	Scicluna et al.	D3/318
D572,905 S *	7/2008	Wu	D3/318

* cited by examiner

Primary Examiner—Holly H. Baynham

Assistant Examiner—Sheryl Lane

(74) *Attorney, Agent, or Firm*—Ming Chow; Sinorica, LLC

(57) **CLAIM**

The ornamental design of a leather handle, as shown and described.

DESCRIPTION

FIG. 1 is a perspective view of leather handle showing my design;

FIG. 2 is a front elevational view thereof;

FIG. 3 is a rear elevational view thereof;

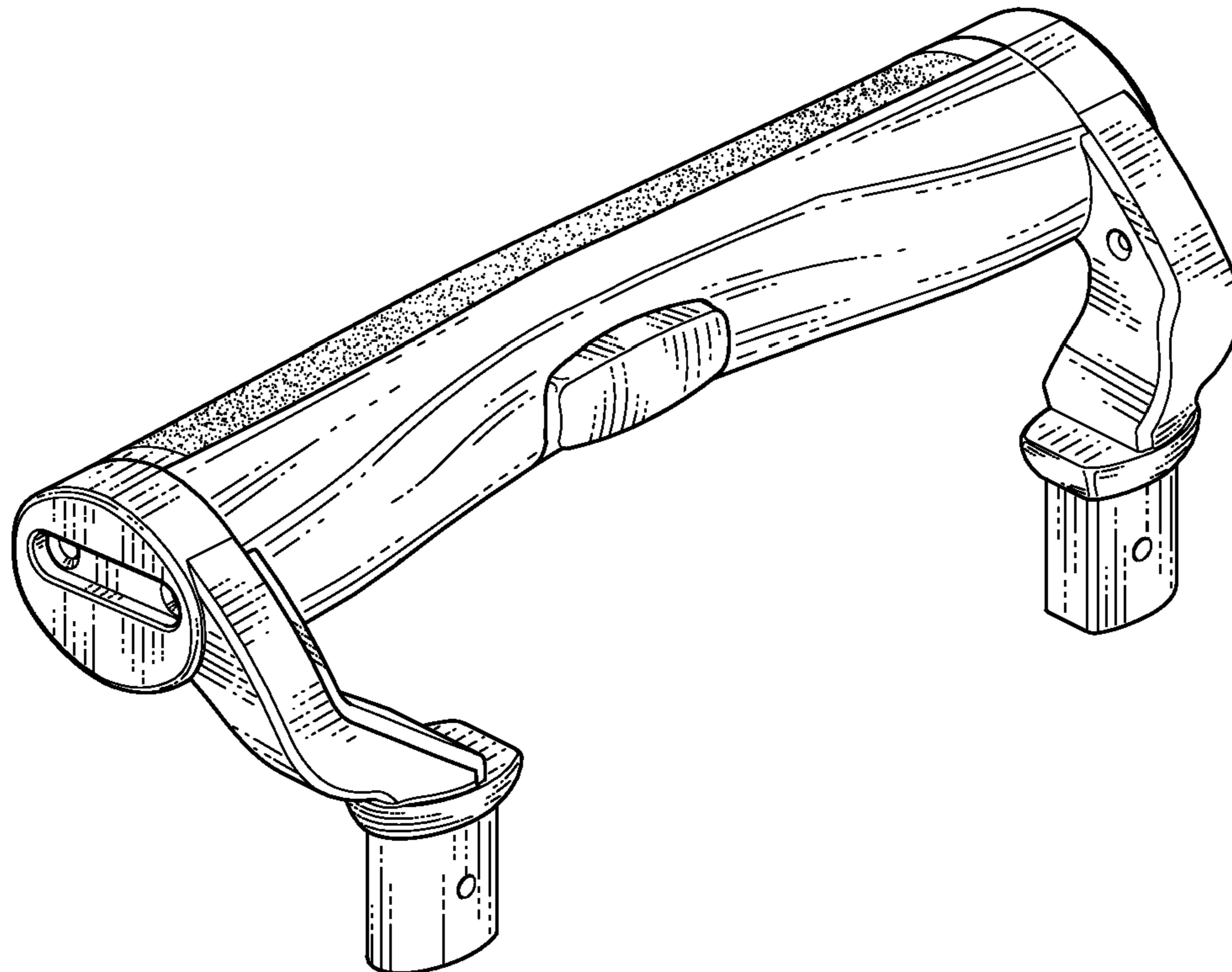
FIG. 4 is a left elevational view thereof;

FIG. 5 is a right elevational view thereof;

FIG. 6 is a top elevational view thereof; and,

FIG. 7 is a bottom elevational view thereof.

1 Claim, 4 Drawing Sheets



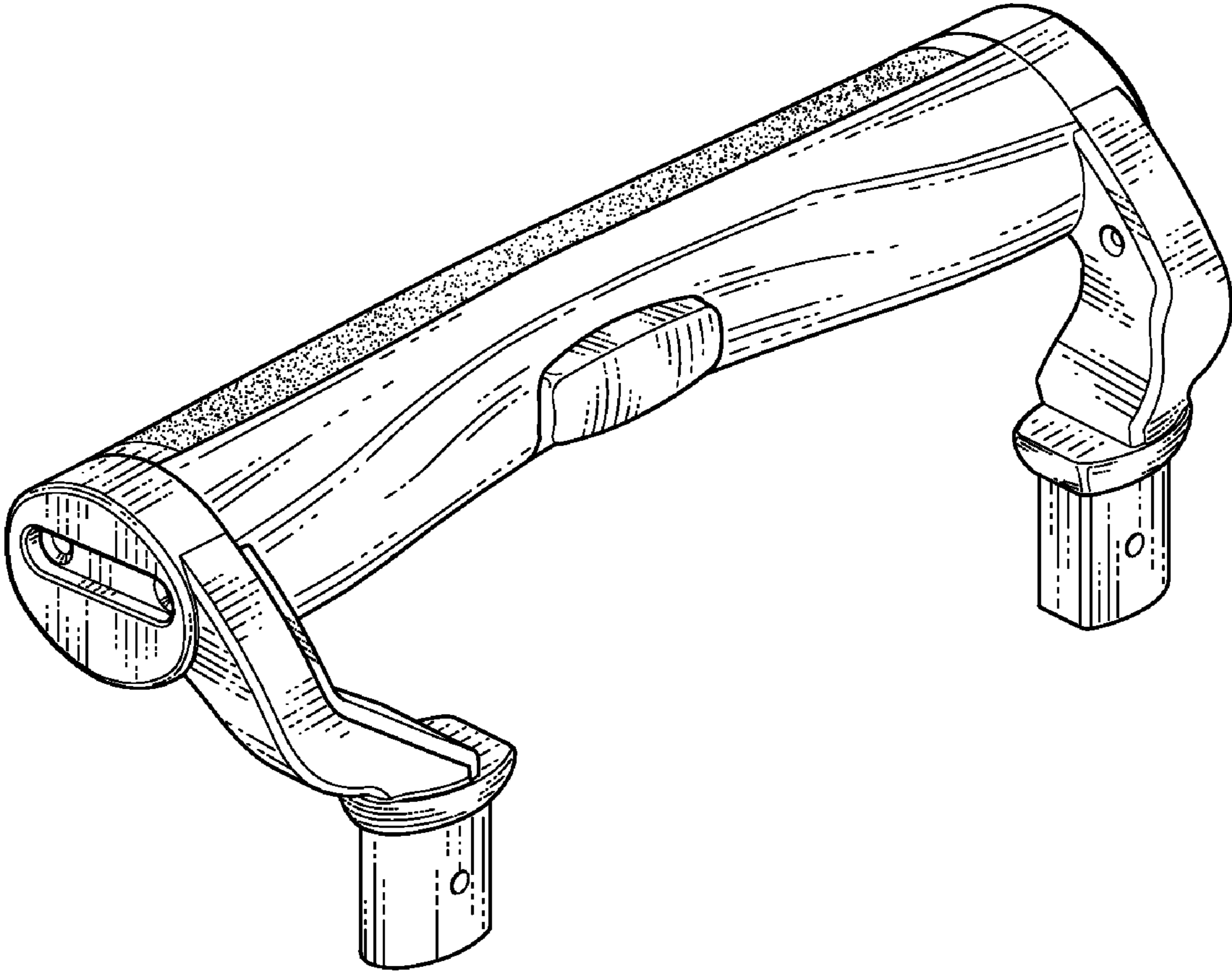


FIG. 1

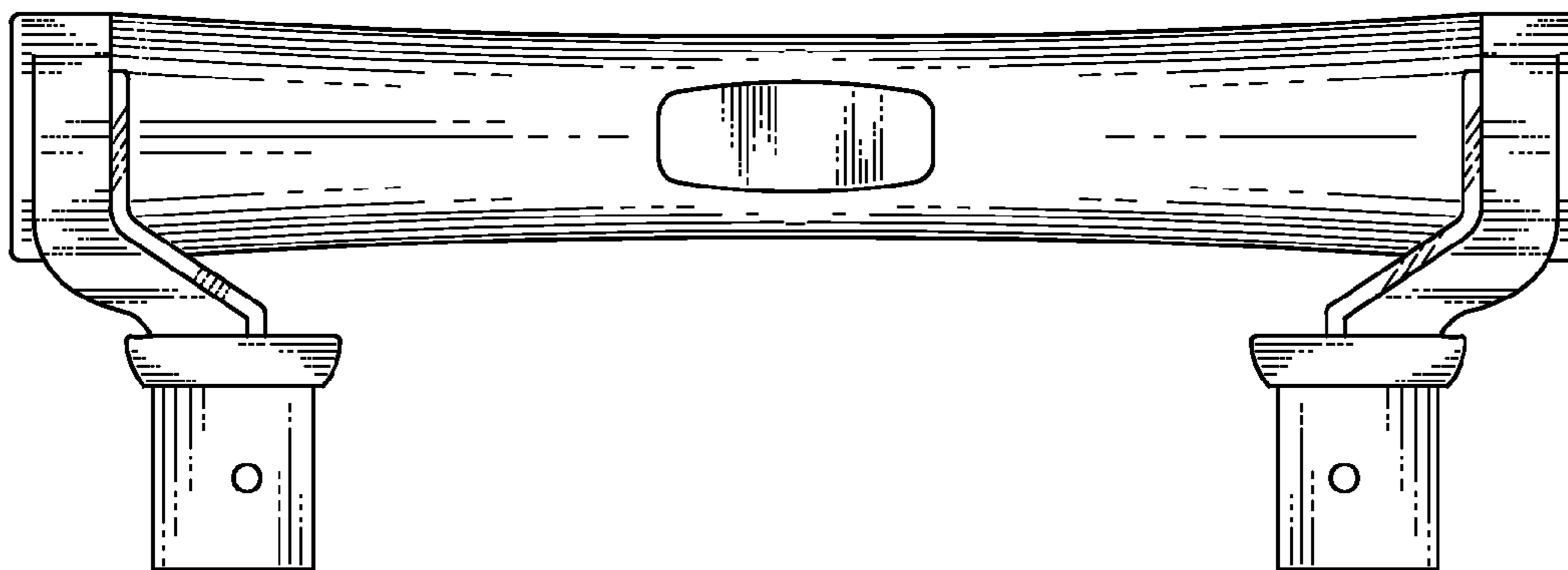


FIG. 2

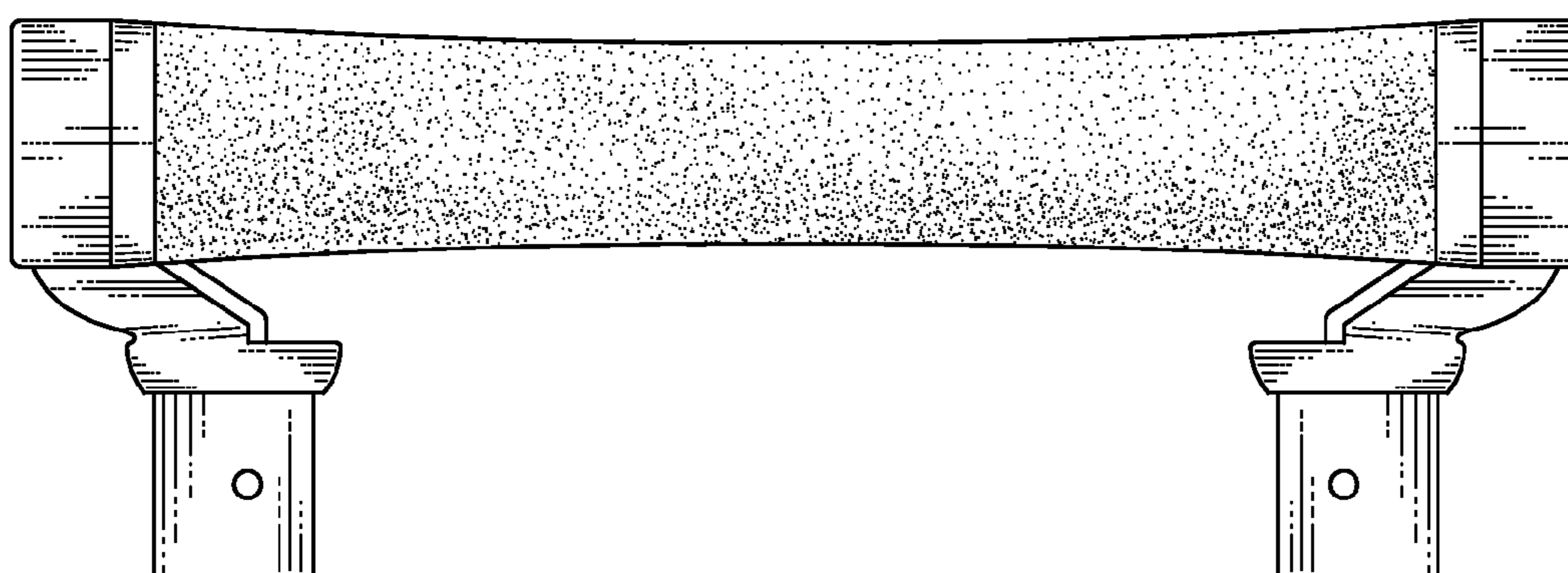


FIG. 3

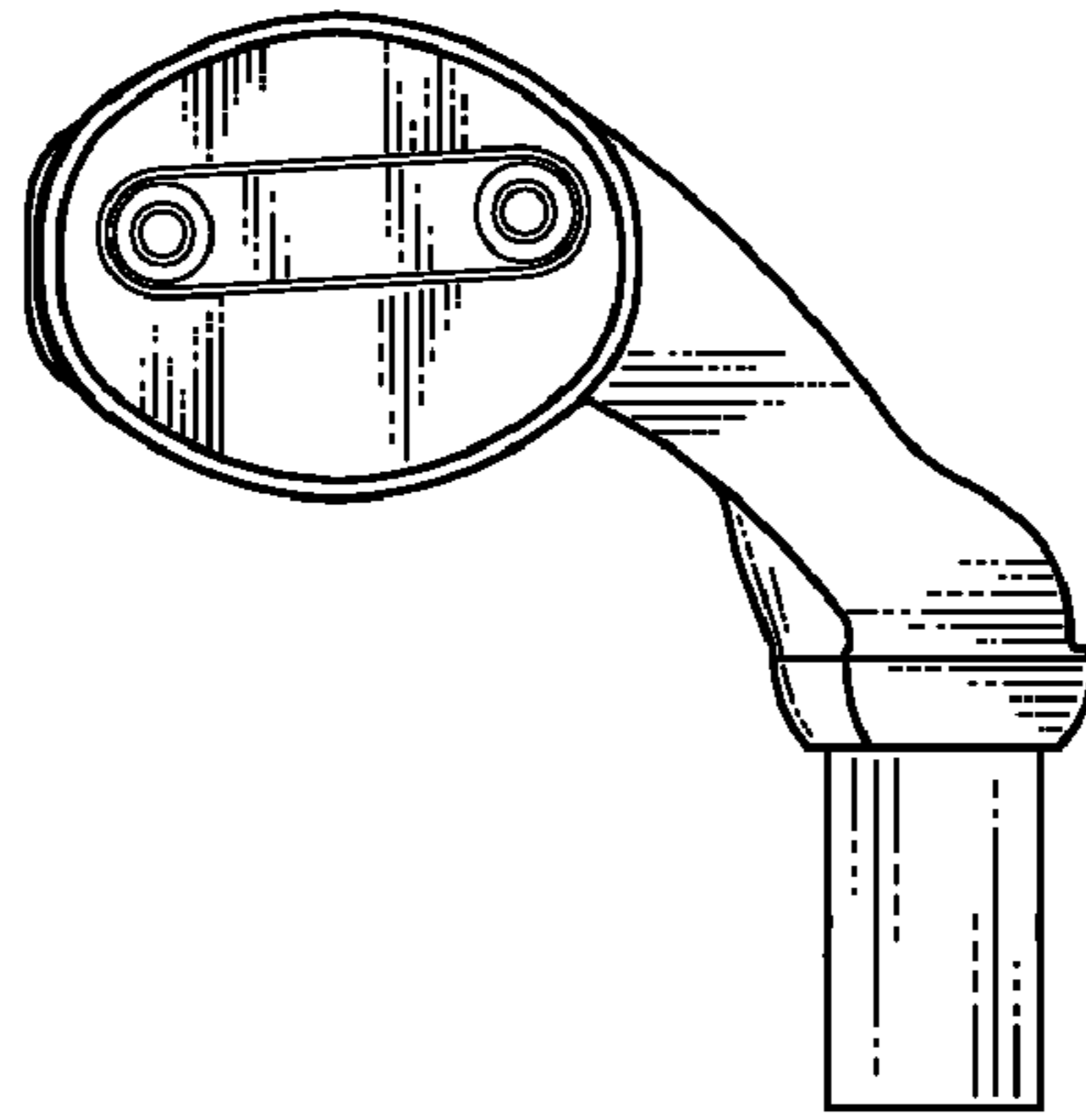


FIG. 4

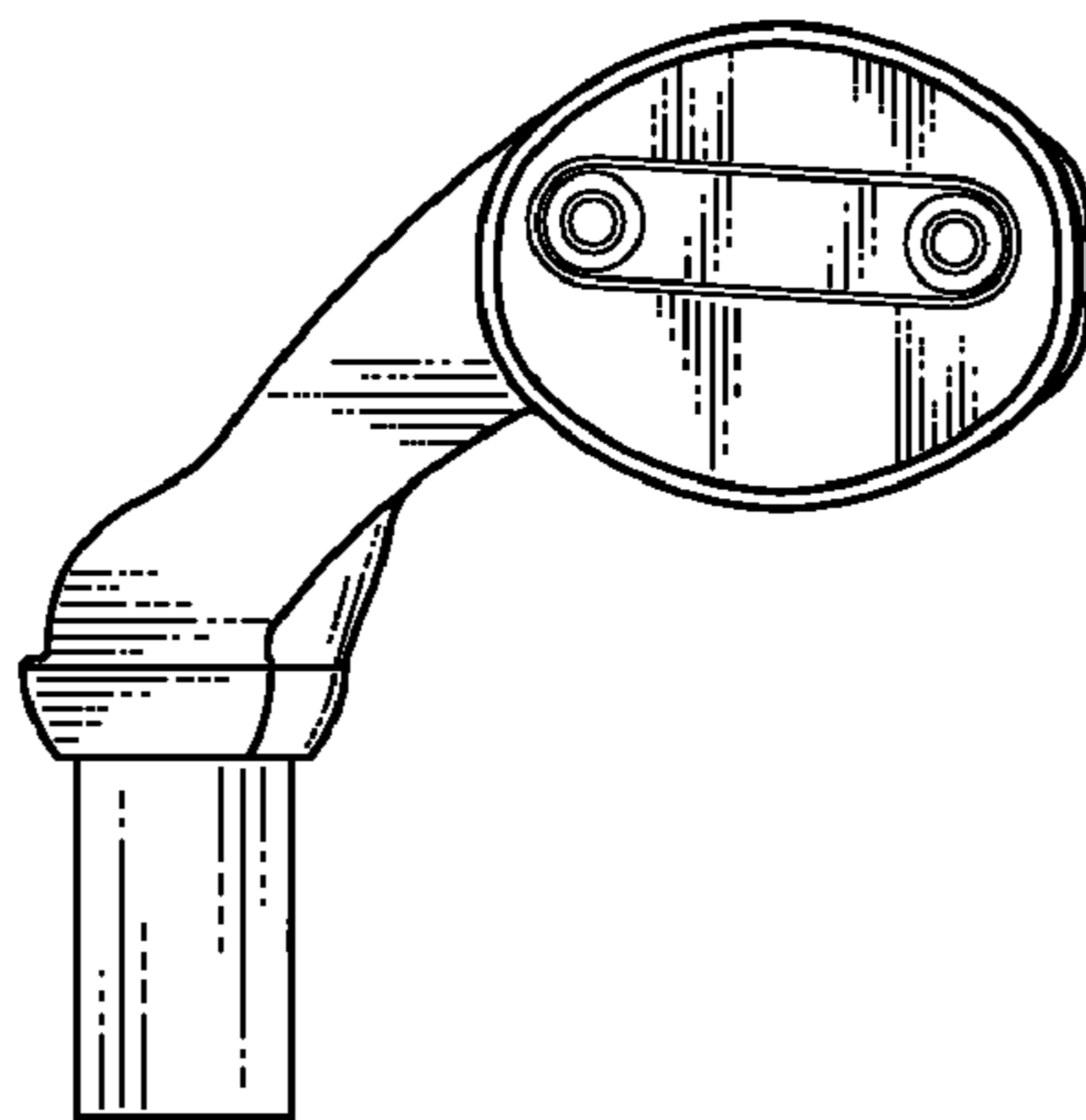


FIG. 5

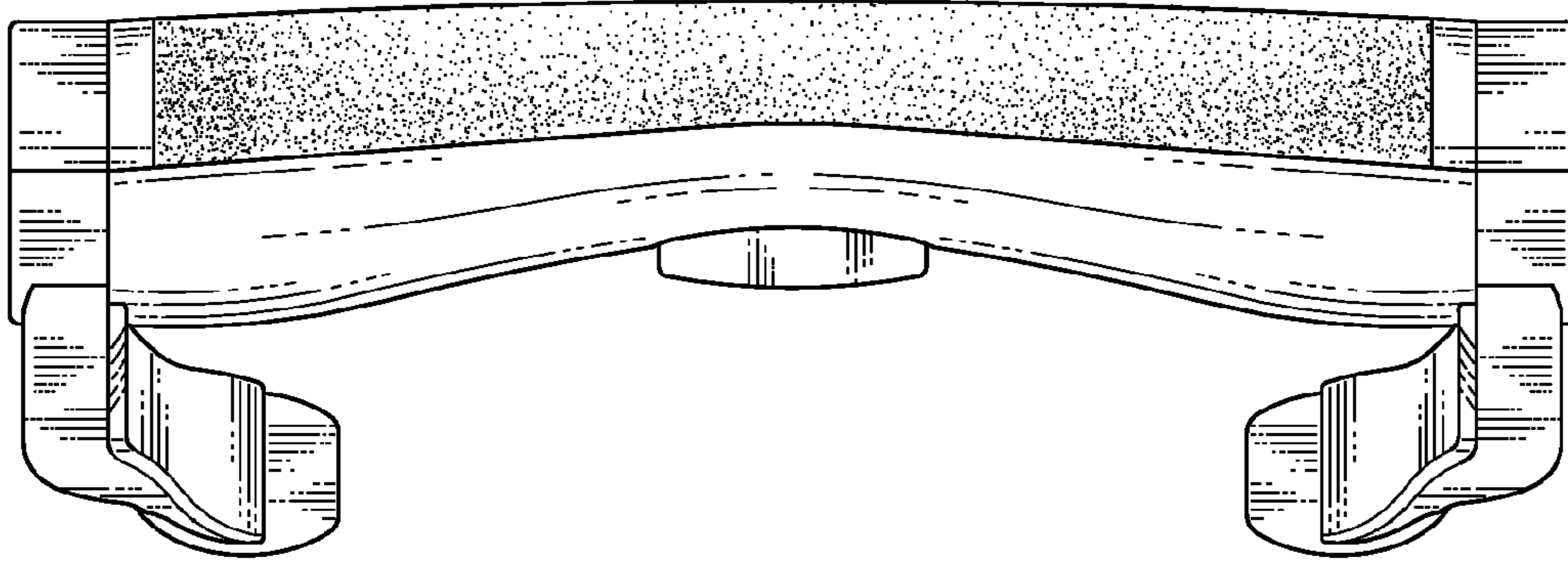


FIG. 6

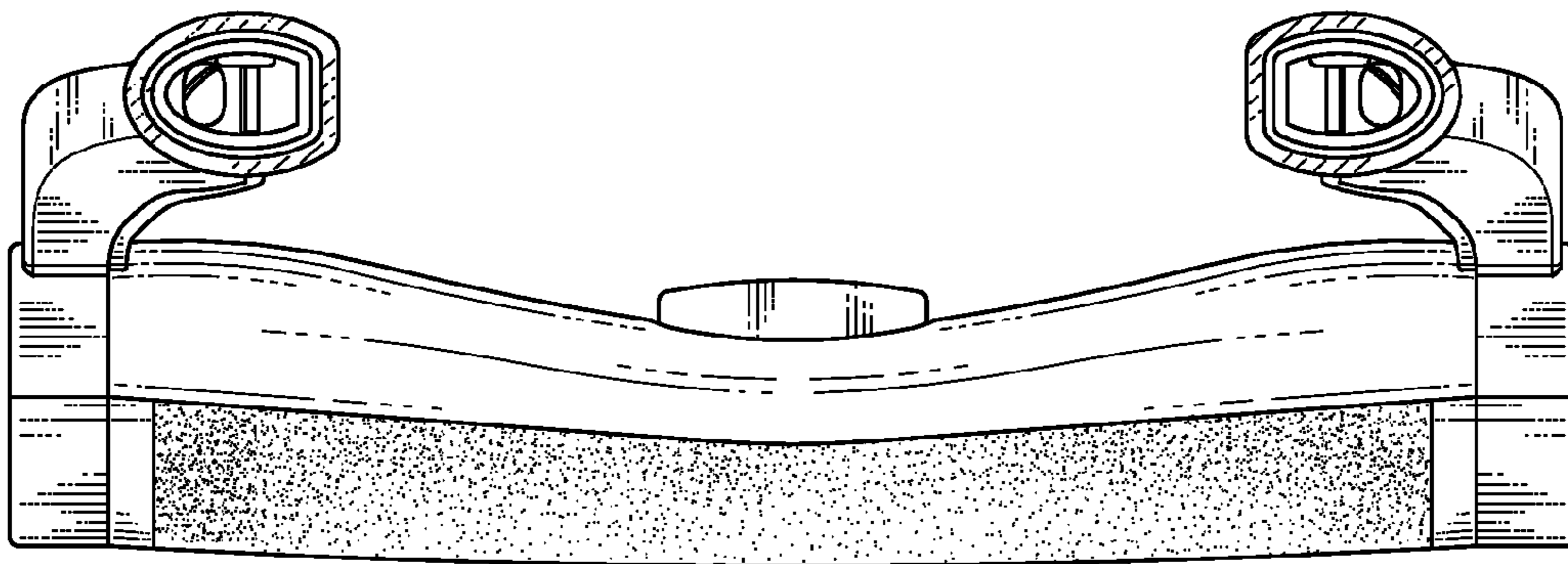


FIG. 7