



US00D583152S

(12) **United States Design Patent**
Keeney

(10) **Patent No.:** **US D583,152 S**
(45) **Date of Patent:** **** Dec. 23, 2008**

(54) **TRANSPARENT COMPARTMENTALIZED LUGGAGE INSERT WITH REMOVABLE SECTION**

(76) Inventor: **Linda T. Keeney**, 14820 Greenwood Ave. N., Shoreline, WA (US) 98133

(**) Term: **14 Years**

(21) Appl. No.: **29/284,606**

(22) Filed: **Sep. 12, 2007**

(51) **LOC (8) Cl.** **03-01**

(52) **U.S. Cl.** **D3/301; D3/319**

(58) **Field of Classification Search** D3/203.6–203.8, D3/273, 276, 283–285, 289, 301, 303, 318–319, D3/901; D28/73; 190/109–110, 903; 132/286, 132/293–294, 312; 150/112–113, 117, 131
See application file for complete search history.

(56) **References Cited**

U.S. PATENT DOCUMENTS

D158,378 S *	5/1950	Handlen	D3/270
2,556,066 A *	6/1951	Cline	190/111
D182,212 S *	2/1958	Weiner	D3/319
3,533,459 A *	10/1970	Ody	150/113
D265,149 S *	6/1982	Romano	D3/319
D292,645 S *	11/1987	Young	D3/245
4,953,674 A *	9/1990	Landes	190/108
D328,184 S *	7/1992	Krugman	D3/285
D344,407 S *	2/1994	Derrickson	D3/303

5,329,947 A *	7/1994	Shikler	132/304
D391,081 S *	2/1998	Godshaw	D3/319
D408,146 S *	4/1999	Briganti	D3/319
D412,267 S *	7/1999	Anderson	D7/605
D516,870 S *	3/2006	Martinez et al.	D7/607
D522,811 S *	6/2006	Martinez et al.	D7/607
2003/0019502 A1 *	1/2003	Terzian	132/294

* cited by examiner

Primary Examiner—T. Chase Nelson

Assistant Examiner—Roselynn Cody

(74) *Attorney, Agent, or Firm*—David L. Tingey

(57) **CLAIM**

I claim the ornamental design for a transparent compartmentalized luggage insert with removable section, as shown and described.

DESCRIPTION

FIG. 1 is a perspective view of the transparent compartmentalized luggage insert with removable section. The removable section is shown outside the luggage insert.

FIG. 2 is a front view thereof.

FIG. 3 is a back view thereof.

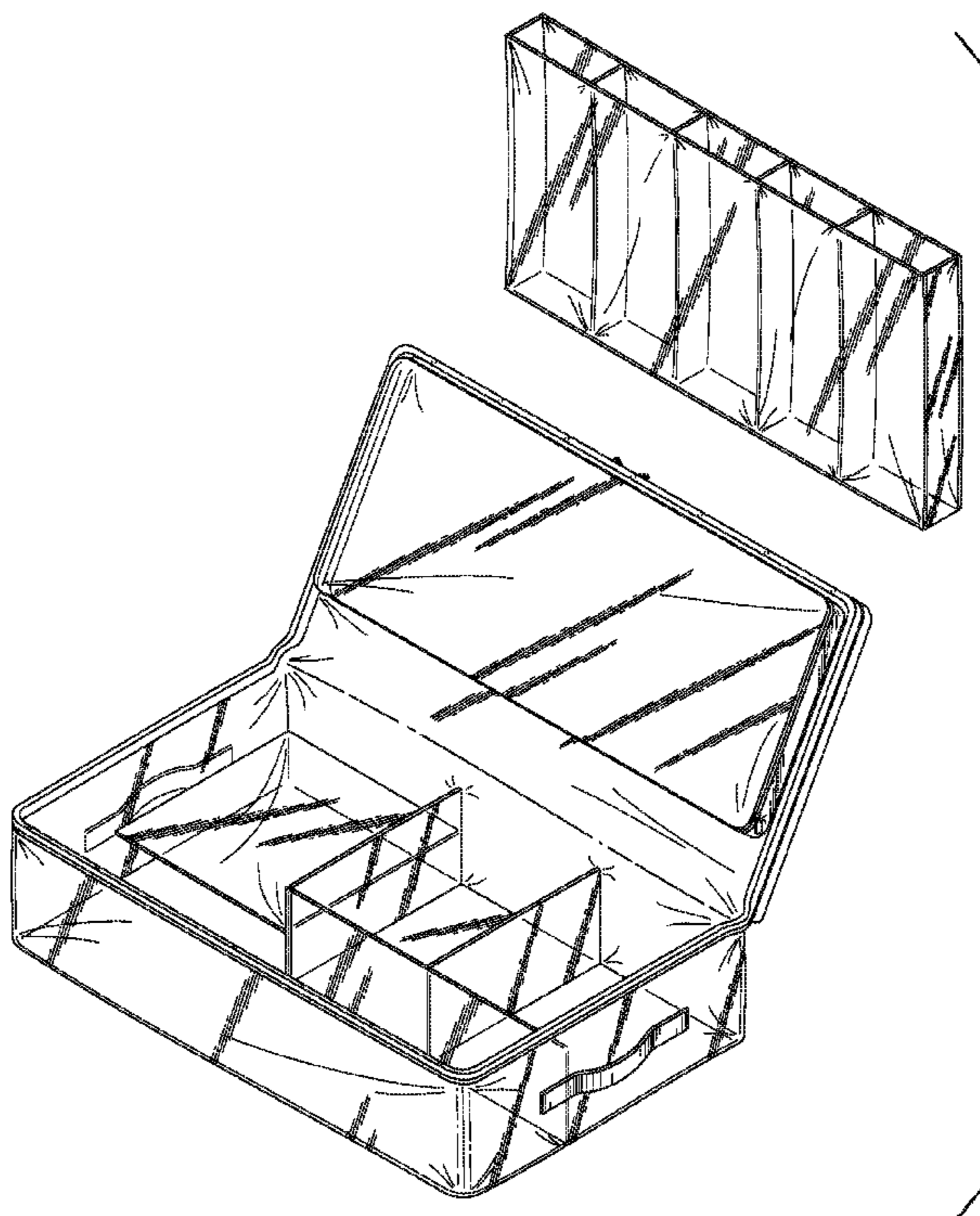
FIG. 4 is a left side view thereof.

FIG. 5 is a right side view thereof.

FIG. 6 is a top view thereof; and,

FIG. 7 is a bottom view thereof.

1 Claim, 7 Drawing Sheets



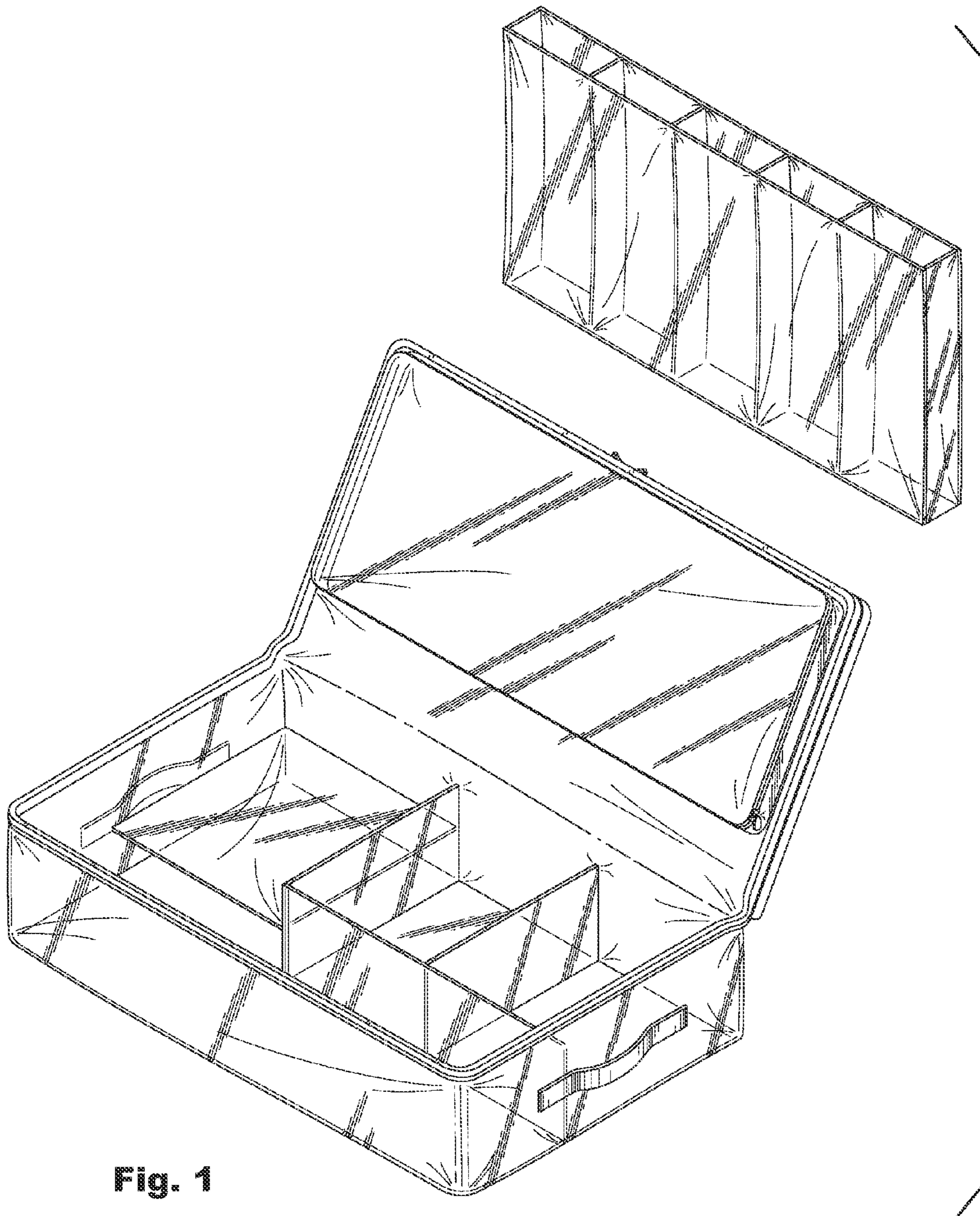


Fig. 1

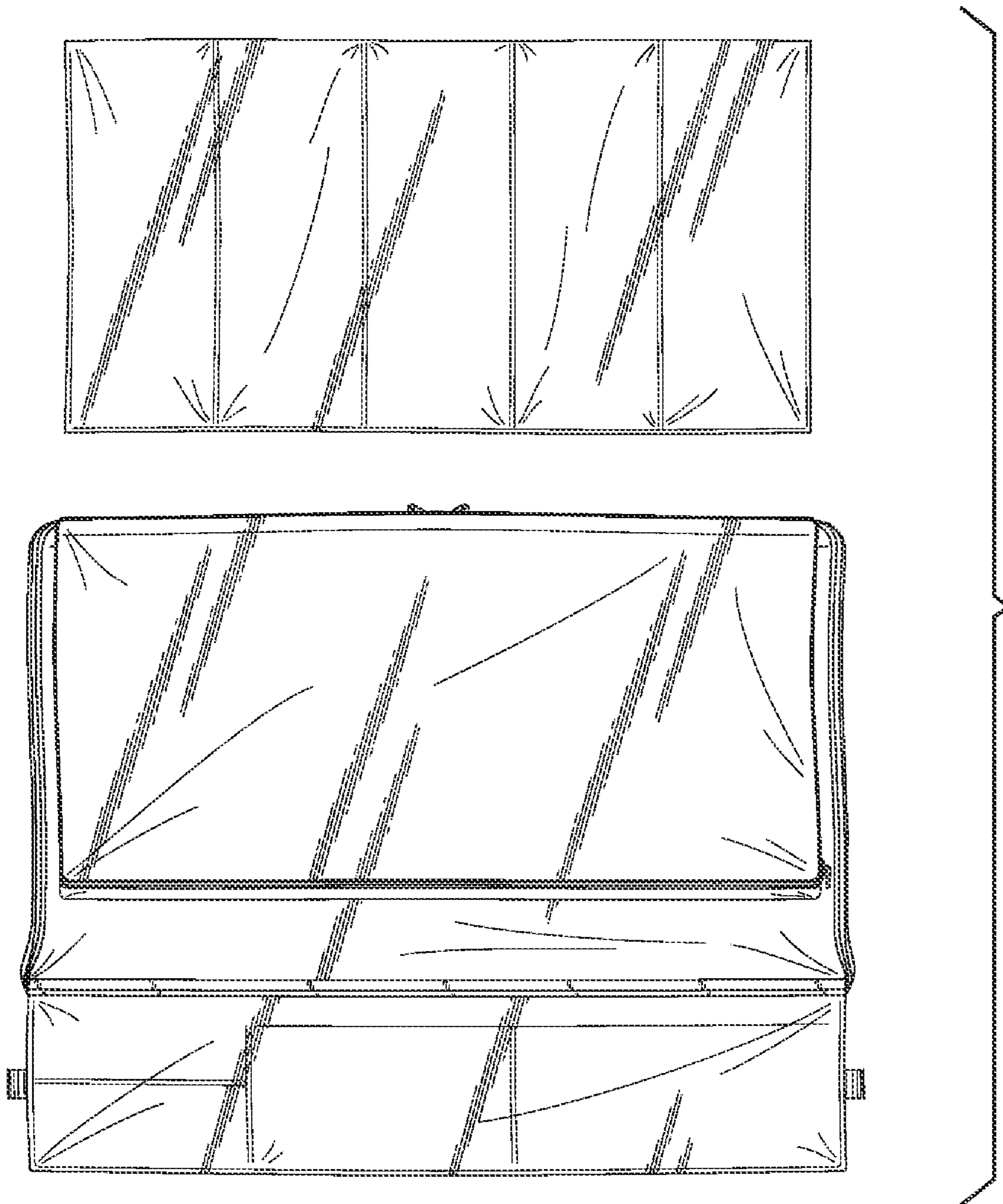


Fig. 2

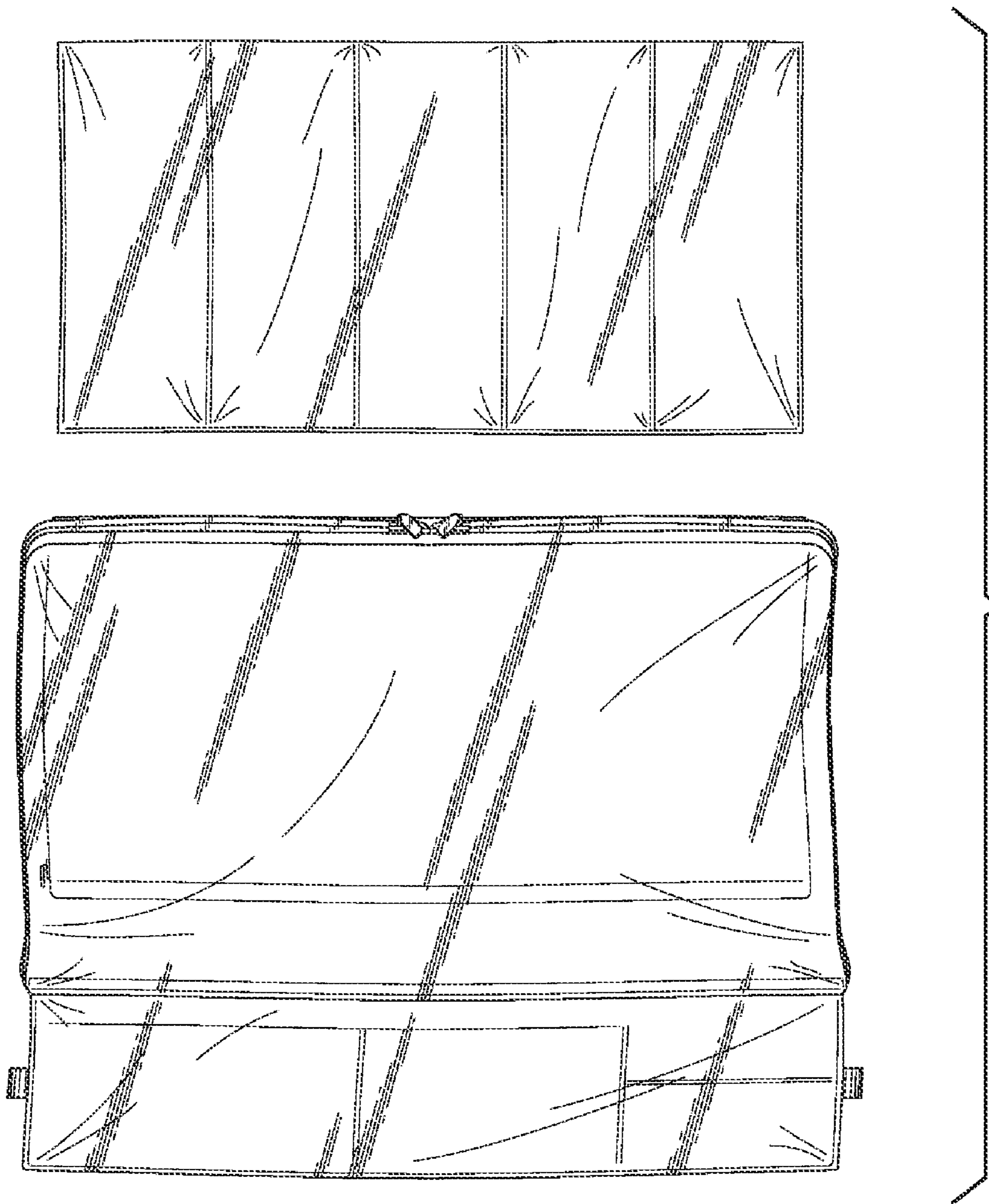


Fig. 3

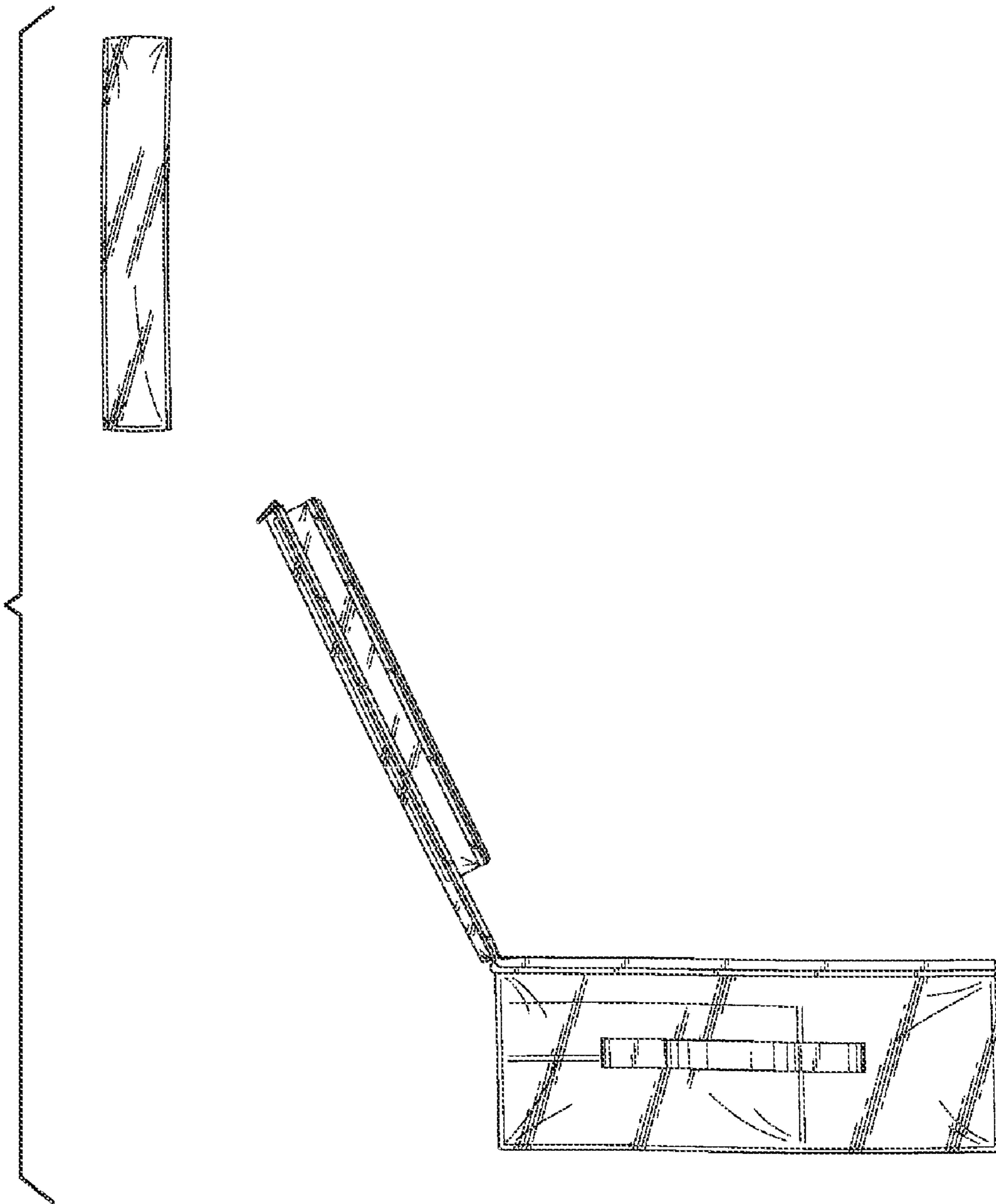


Fig. 4

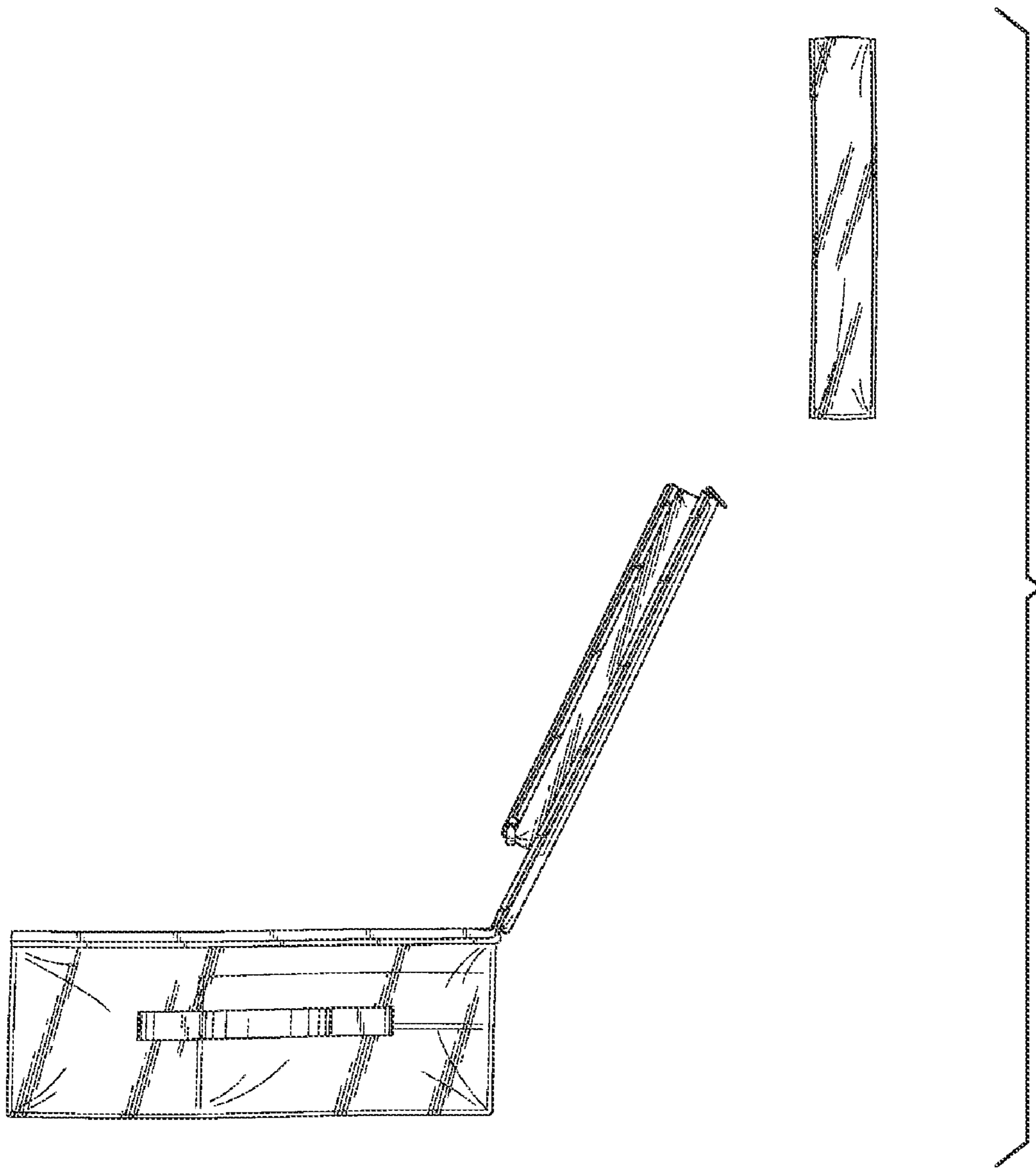


Fig. 5

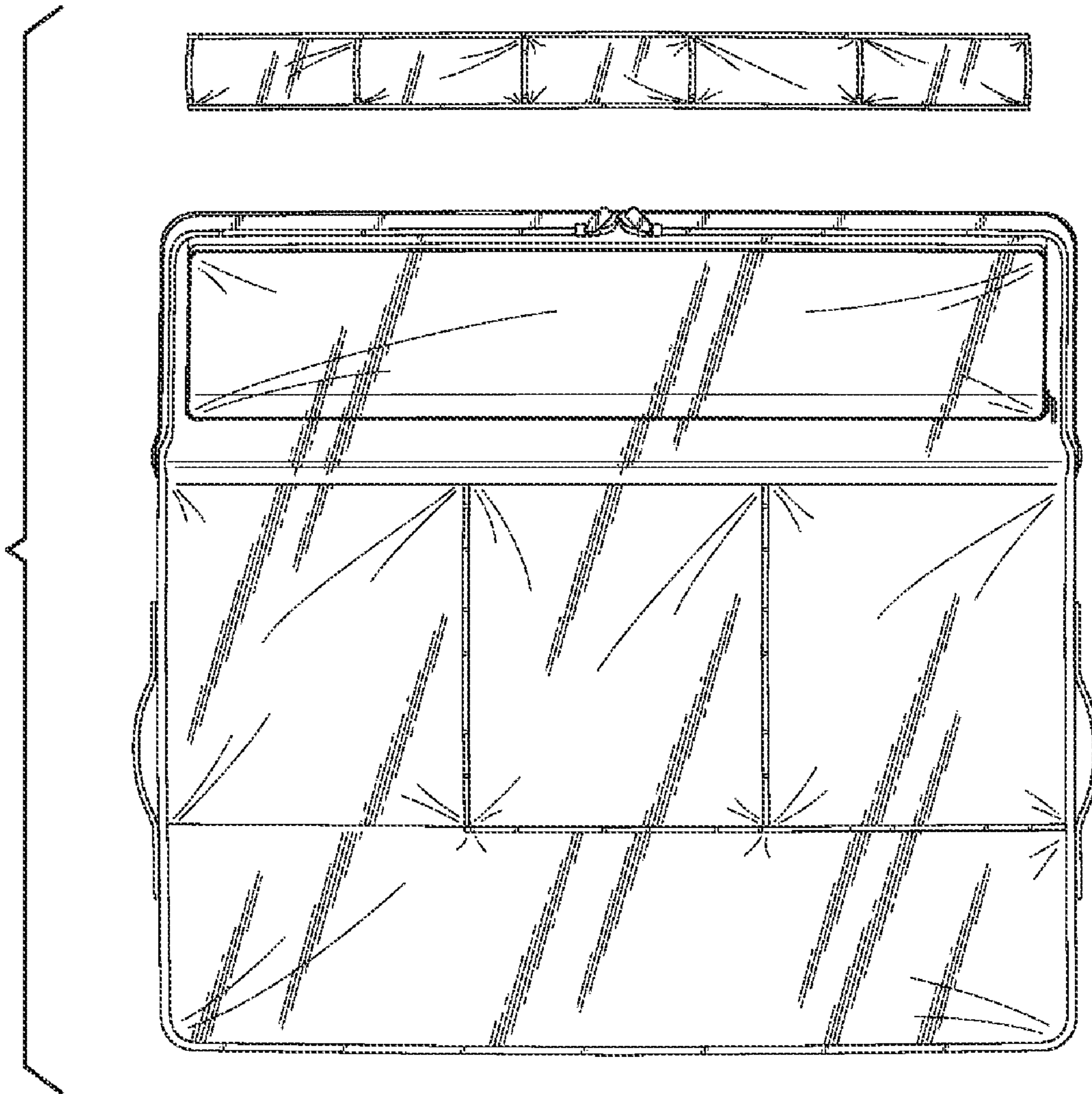


Fig. 6

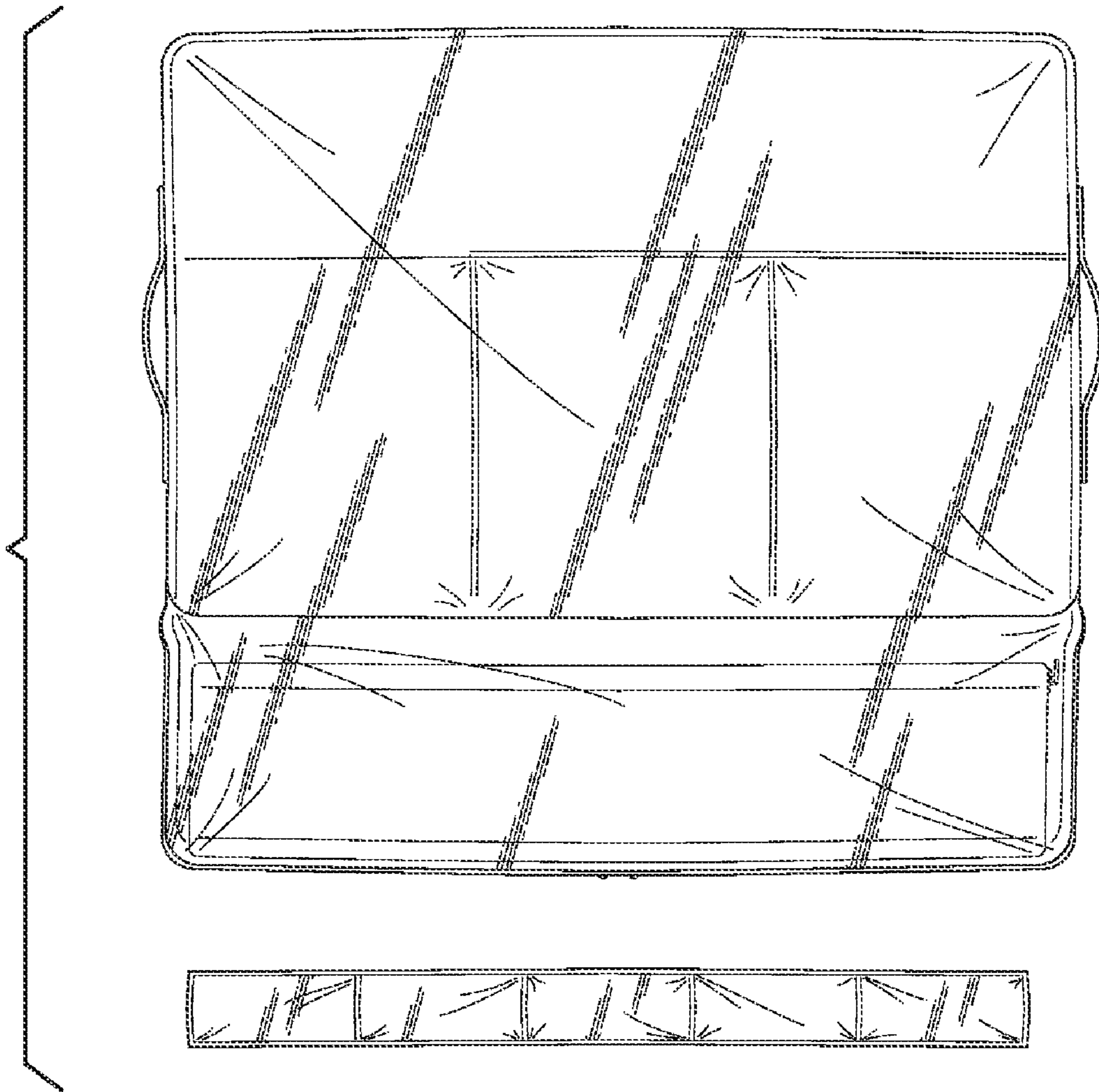


Fig. 7