



US00D583151S

(12) **United States Design Patent**
Chung et al.

(10) **Patent No.:** **US D583,151 S**

(45) **Date of Patent:** **** Dec. 23, 2008**

(54) **THREE-SWINGABLE-WHEEL PUSH-PULL LUGGAGE**

D474,024 S * 5/2003 Santy D3/318

* cited by examiner

(76) Inventors: **Kyong Soo Chung**, 6435 Florin Perkins Rd., Sacramento, CA (US) 95828; **Hyo Soon Chung**, 6435 Florin Perkins Rd., Sacramento, CA (US) 95828

Primary Examiner—Holly H Baynham

(74) *Attorney, Agent, or Firm*—Invent Capture, LLC; Samuel S. Cho

(**) Term: **14 Years**

(57) **CLAIM**

(21) Appl. No.: **29/273,853**

The ornamental design for a three-swingable-wheel push-pull luggage, as shown and described.

(22) Filed: **Mar. 15, 2007**

DESCRIPTION

(51) **LOC (8) Cl.** **03-01**

This application is related to U.S. Ser. No. 29/272,414 filed on Feb. 8, 2007 and U.S. Ser. No. 29/273,852 filed on Mar. 15, 2007.

(52) **U.S. Cl.** **D3/279**

(58) **Field of Classification Search** D3/279, D3/318, 272–273; D8/375; 190/18 A, 115, 190/127, 39, 44–46, 37, 31 R, 25
See application file for complete search history.

FIG. 1 is a side view of the three-swingable-wheel push-pull luggage, which is tilted backward when placed on a flat surface. A user holding a handle of the three-swingable-wheel push-pull luggage, shown in broken lines, is merely illustrative and does not form any part of the claimed design.

(56) **References Cited**

U.S. PATENT DOCUMENTS

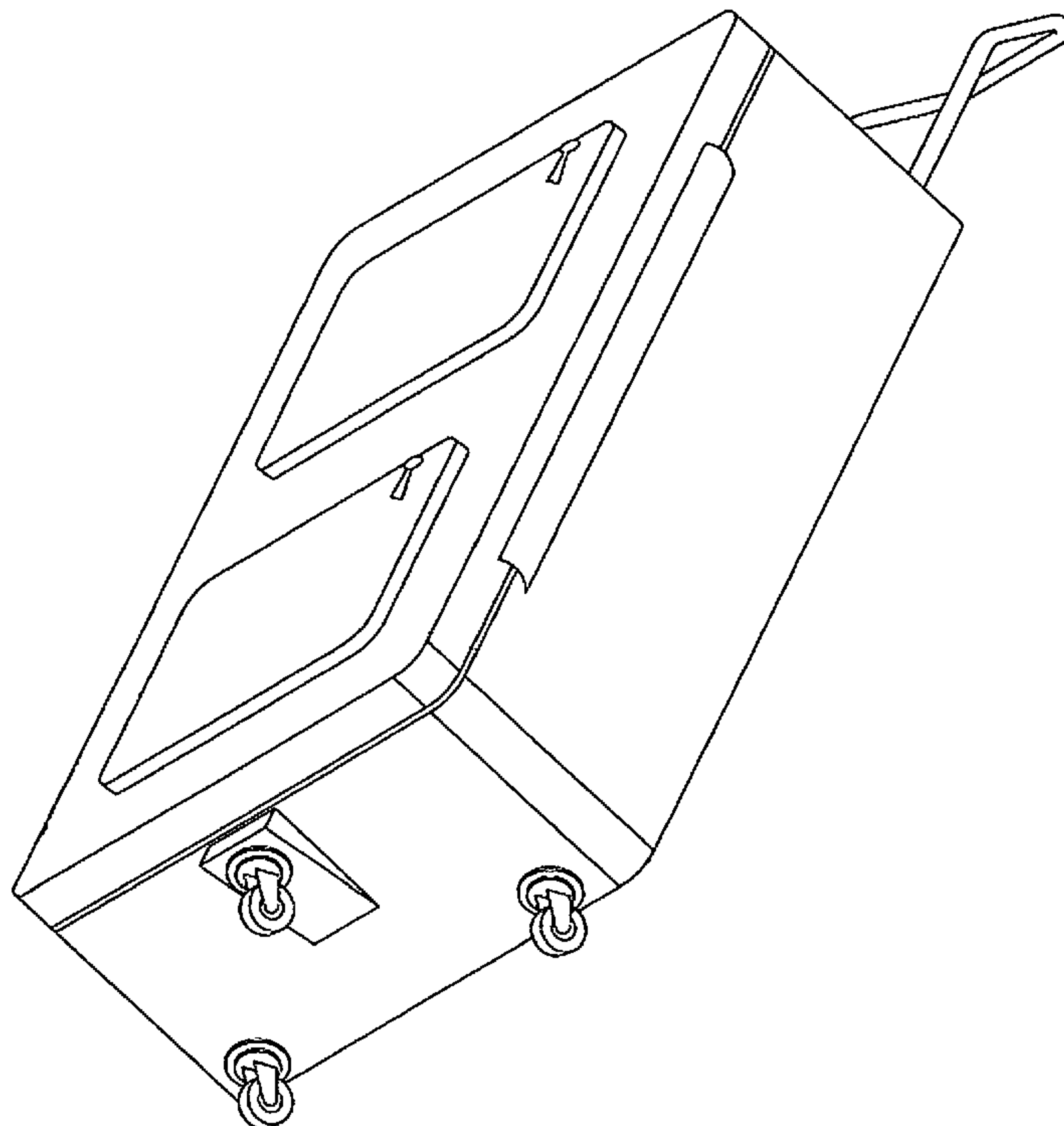
D292,749	S	*	11/1987	Allen	D3/279
D329,139	S	*	9/1992	Oltrogge	D3/279
D352,170	S	*	11/1994	Bialo	D3/279
5,379,870	A	*	1/1995	Sadow	190/18 A
D375,628	S	*	11/1996	Williamson	D3/279
5,573,089	A	*	11/1996	Liang	190/18 A
5,758,752	A	*	6/1998	King et al.	190/18 A
D410,777	S	*	6/1999	Pizzi et al.	D3/279
6,193,033	B1	*	2/2001	Sadow et al.	190/18 A
6,237,734	B1	*	5/2001	Chen	190/18 A
6,302,250	B1	*	10/2001	Sadow et al.	190/18 A

FIG. 2 is a bottom view of the three-swingable-wheel push-pull luggage with a front swingable wheel and a pair of rear swingable wheels.

FIG. 3 is a diagonally-upward view of the three-swingable-wheel push-pull luggage with a front swingable wheel attached to a triangular neck element and a pair of rear swingable wheels; and,

FIG. 4 is a fragmented enlarged view of a lower portion of the three-swingable-wheel push-pull luggage.

1 Claim, 3 Drawing Sheets



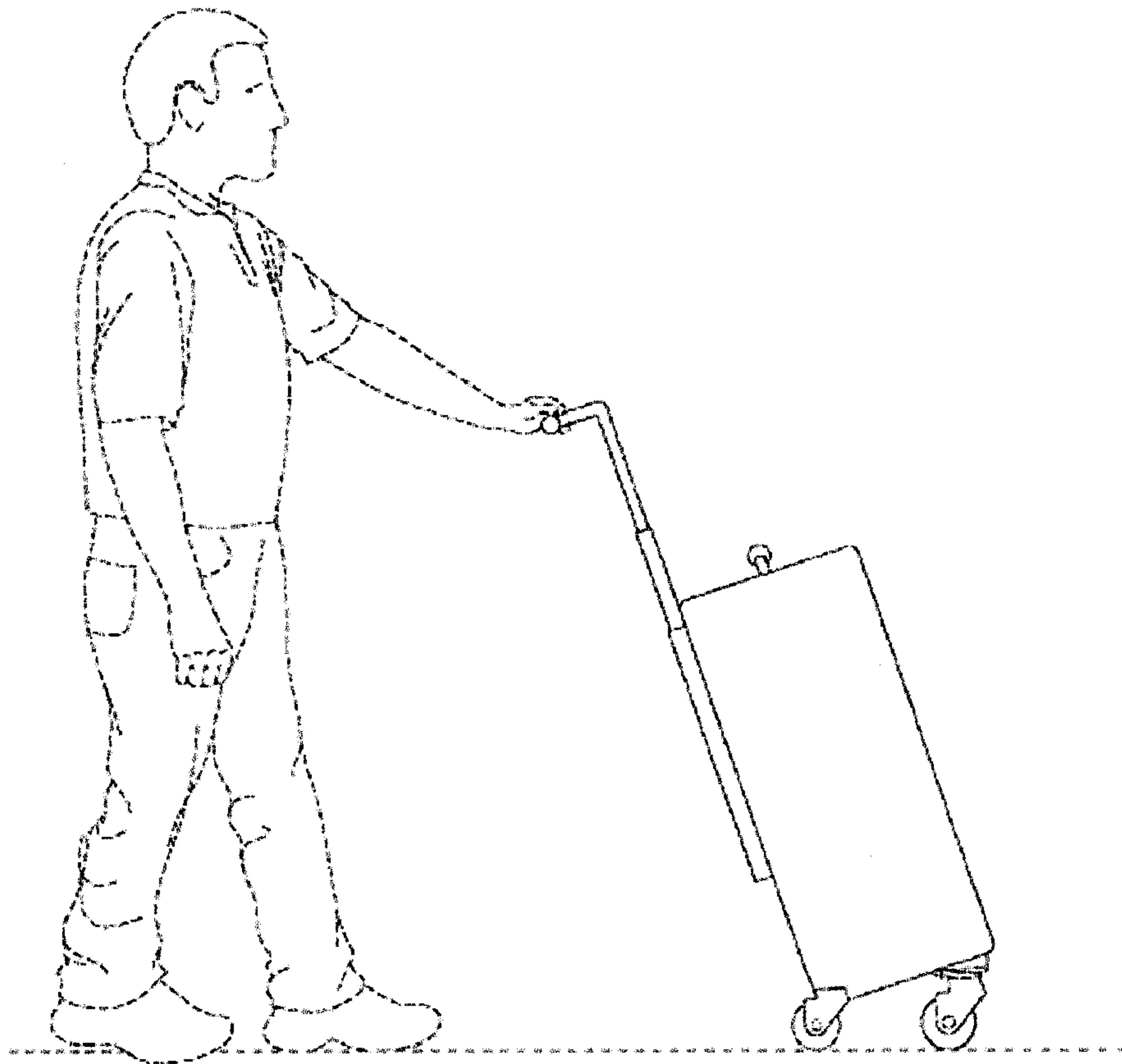


Figure 1

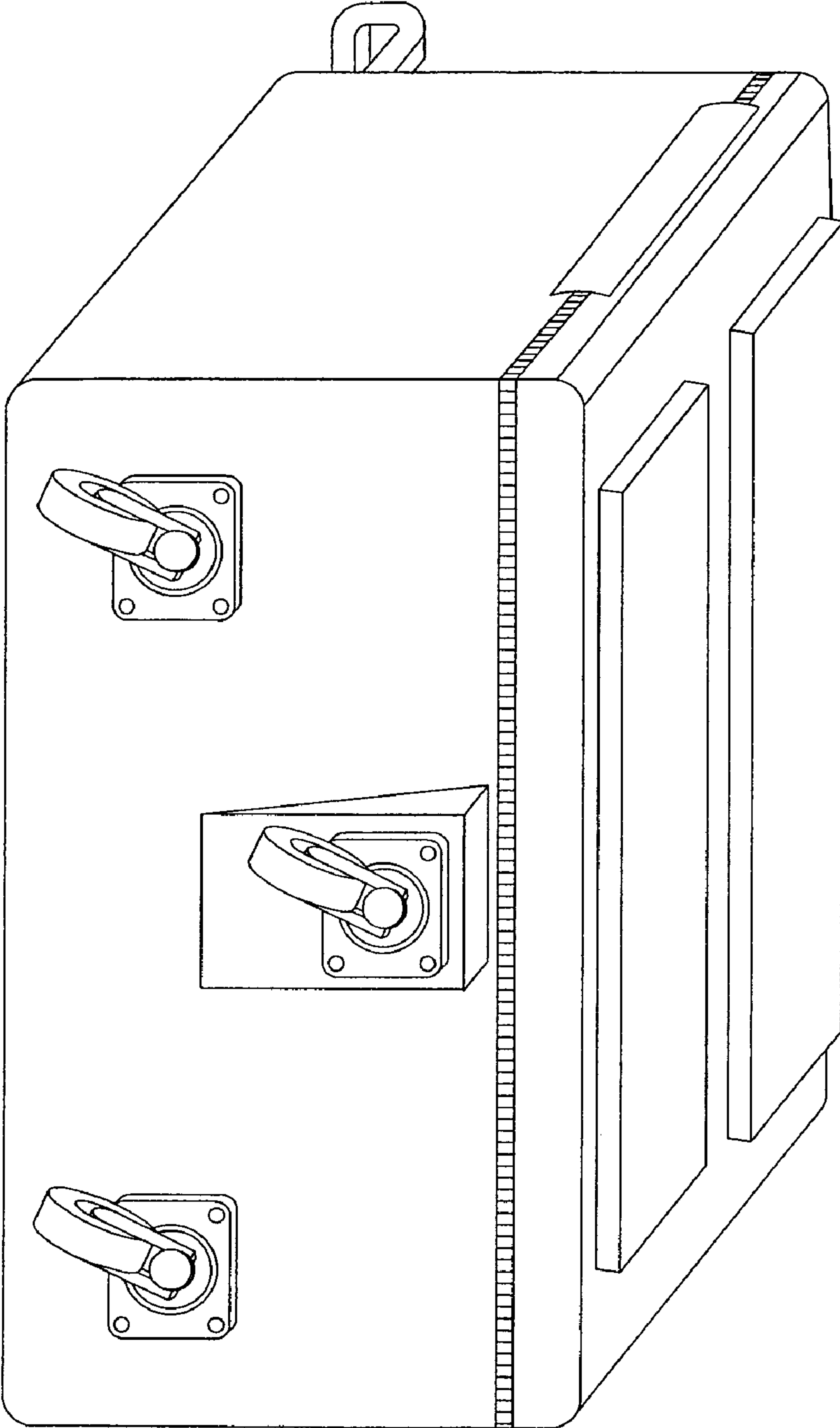


Figure 2

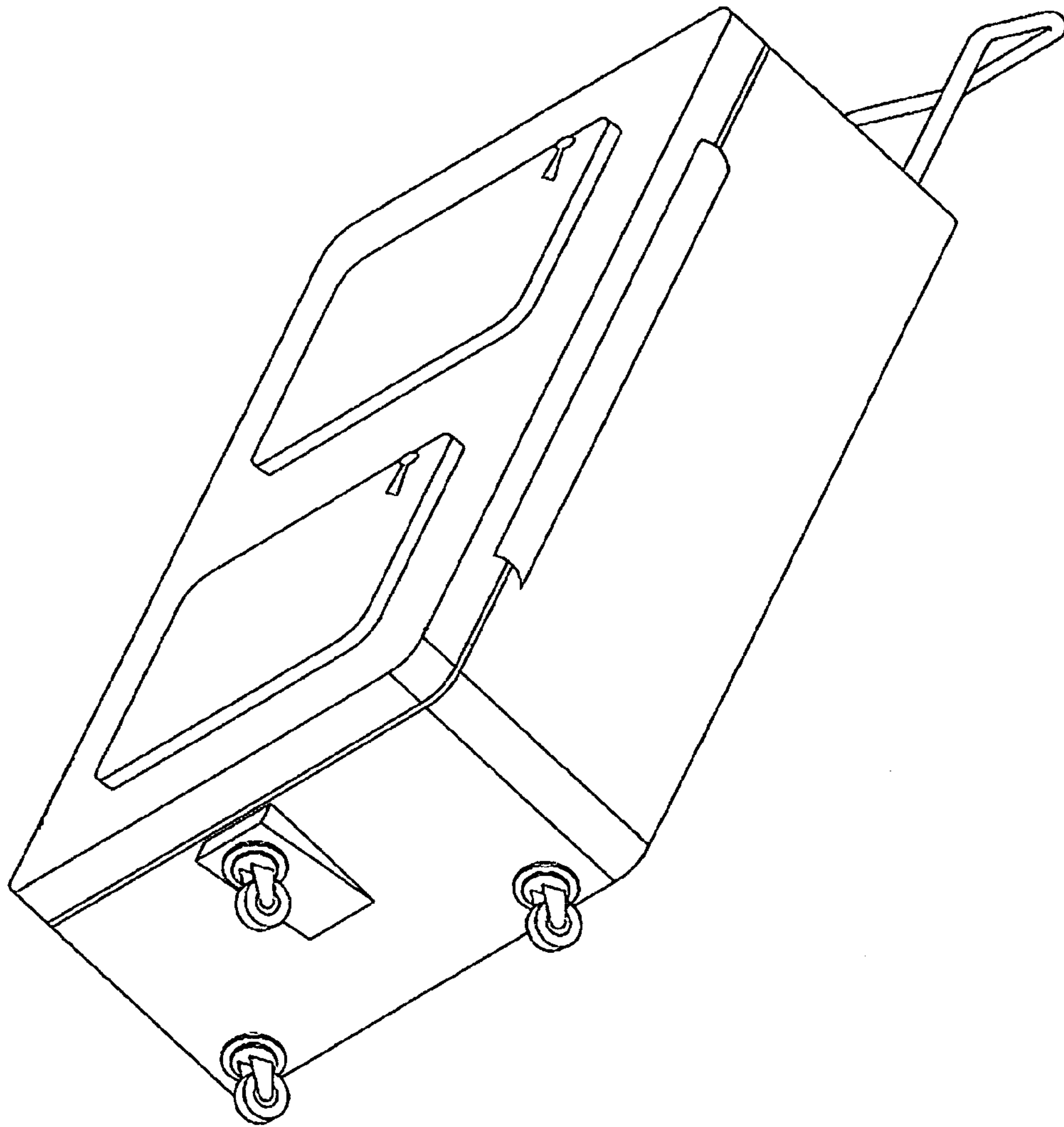


Figure 3

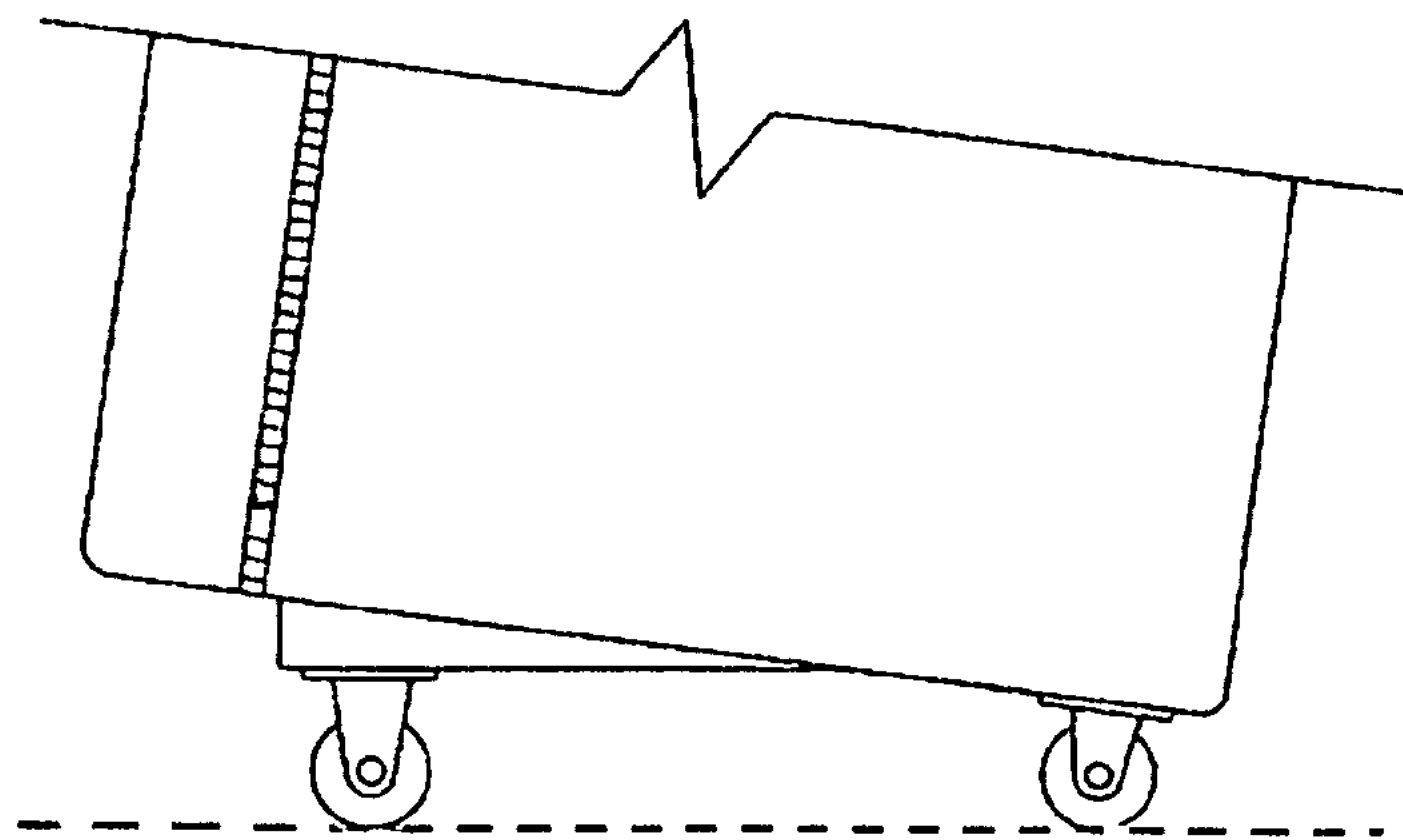


Figure 4