



US00D583150S

(12) **United States Design Patent**  
**Chung et al.**

(10) **Patent No.:** **US D583,150 S**  
(45) **Date of Patent:** **\*\* Dec. 23, 2008**

(54) **FOUR-SWINGABLE-WHEEL PUSH-PULL LUGGAGE**

D479,042 S \* 9/2003 Szyf et al. .... D3/279

\* cited by examiner

(76) Inventors: **Kyong Soo Chung**, 6435 Florin Perkins Rd., Sacramento, CA (US) 95828; **Hyo Soon Chung**, 6435 Florin Perkins Rd., Sacramento, CA (US) 95828

*Primary Examiner*—Holly H Baynham  
(74) *Attorney, Agent, or Firm*—Invent Capture, LLC.; Samuel S. Cho

(\*\*) Term: **14 Years**

(57) **CLAIM**

(21) Appl. No.: **29/273,852**

The ornamental design for a four-swingable-wheel push-pull luggage, as shown and described.

(22) Filed: **Mar. 15, 2007**

**DESCRIPTION**

(51) **LOC (8) Cl.** ..... **03-01**

This application is related to U.S. patent application Ser. No. 29/272,414 filed on Feb. 8, 2007 and U.S. patent application Ser. No. 29/273,853 filed on Mar. 15, 2007.

(52) **U.S. Cl.** ..... **D3/279**

(58) **Field of Classification Search** ..... D3/318,  
D3/279, 272–273; 190/18 A, 115, 127, 39,  
190/44–46, 37, 31 R, 25; D8/375

FIG. 1 is a side view of the four-swingable-wheel push-pull luggage, which is tilted backward when placed on a flat surface. A user holding a handle of the four-swingable-wheel push-pull luggage, shown in broken lines, is merely illustrative and does not form any part of the claimed design.

See application file for complete search history.

FIG. 2 is a bottom view of the four-swingable-wheel push-pull luggage with a pair of front swingable wheels and a pair of rear swingable wheels.

(56) **References Cited**

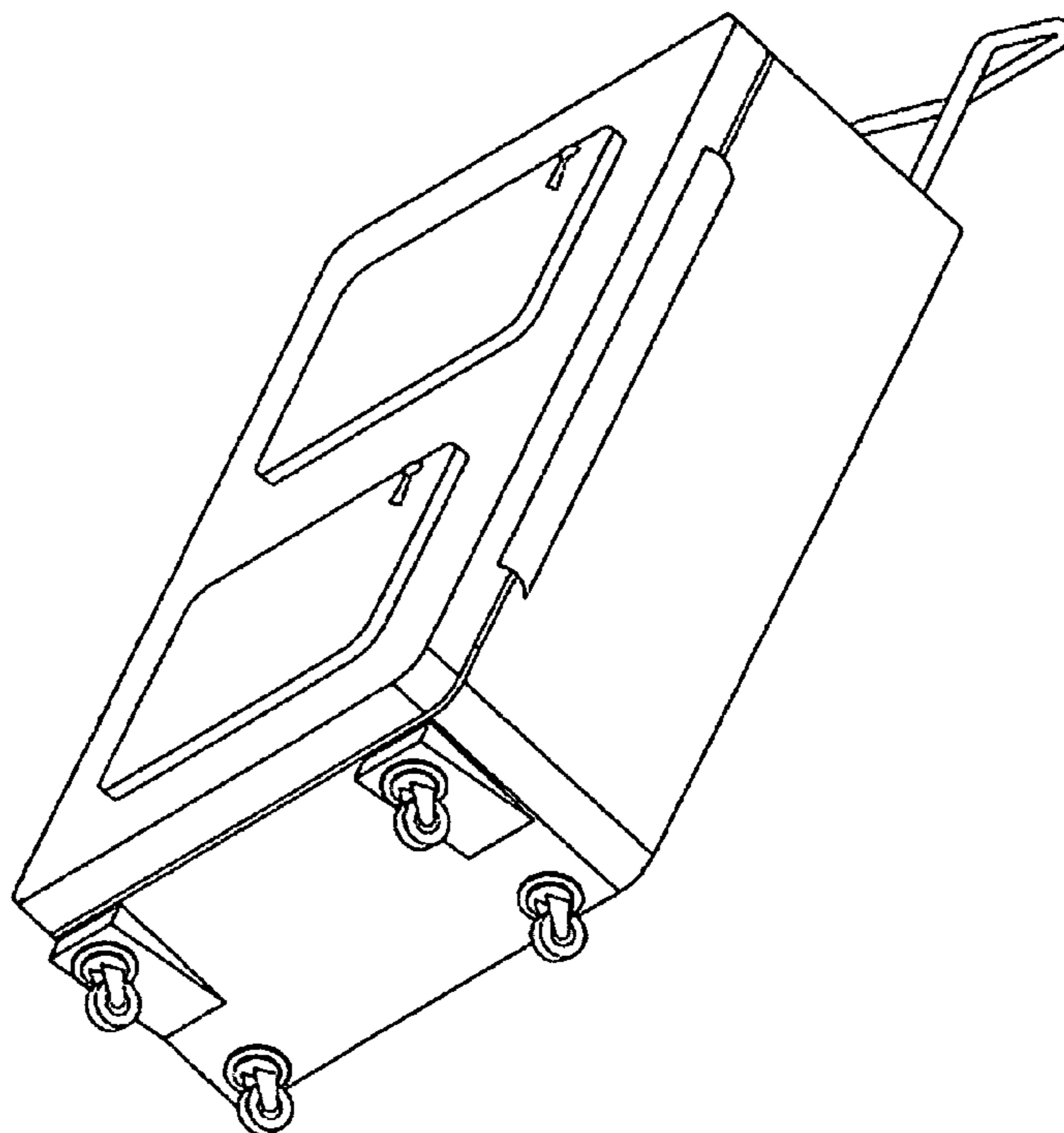
**U.S. PATENT DOCUMENTS**

- D292,749 S \* 11/1987 Allen ..... D3/279
- D329,139 S \* 9/1992 Oltrogge ..... D3/279
- D352,170 S \* 11/1994 Bialo ..... D3/279
- D375,628 S \* 11/1996 Williamson ..... D3/279
- 5,573,089 A \* 11/1996 Liang ..... 190/18 A
- 5,758,752 A \* 6/1998 King et al. .... 190/18 A
- D410,777 S \* 6/1999 Pizzi et al. .... D3/279
- 6,193,033 B1 \* 2/2001 Sadow et al. .... 190/18 A
- 6,237,734 B1 \* 5/2001 Chen ..... 190/18 A
- 6,302,250 B1 \* 10/2001 Sadow et al. .... 190/18 A
- D474,024 S \* 5/2003 Santy ..... D3/318

FIG. 3 is a diagonally-upward view of the four-swingable-wheel push-pull luggage with a pair of rear swingable wheels and a pair of front swingable wheels attached to a pair of triangular neck elements; and,

FIG. 4 is a fragmented enlarged view of the four-swingable-wheel push-pull luggage.

**1 Claim, 3 Drawing Sheets**



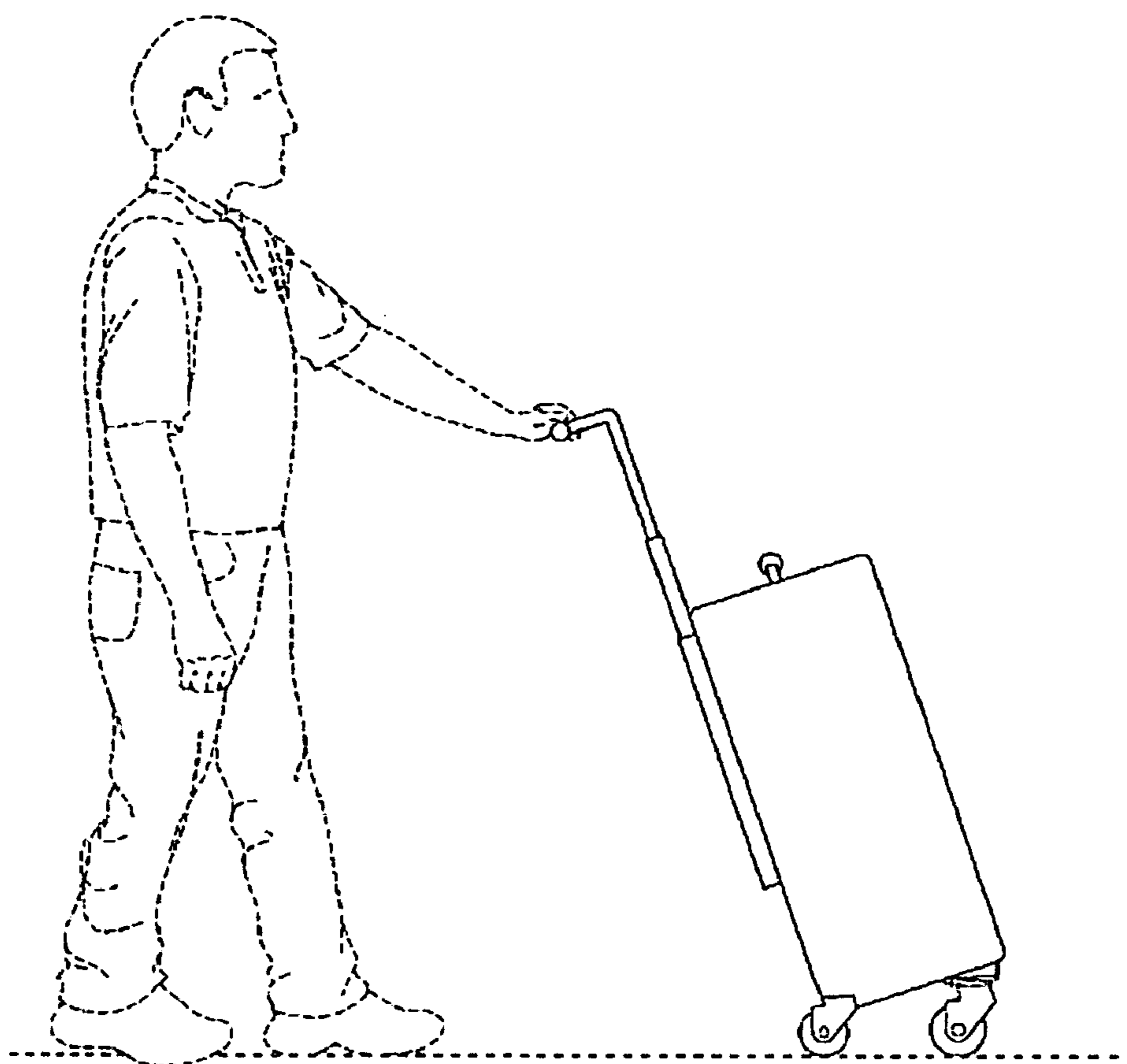


Figure 1

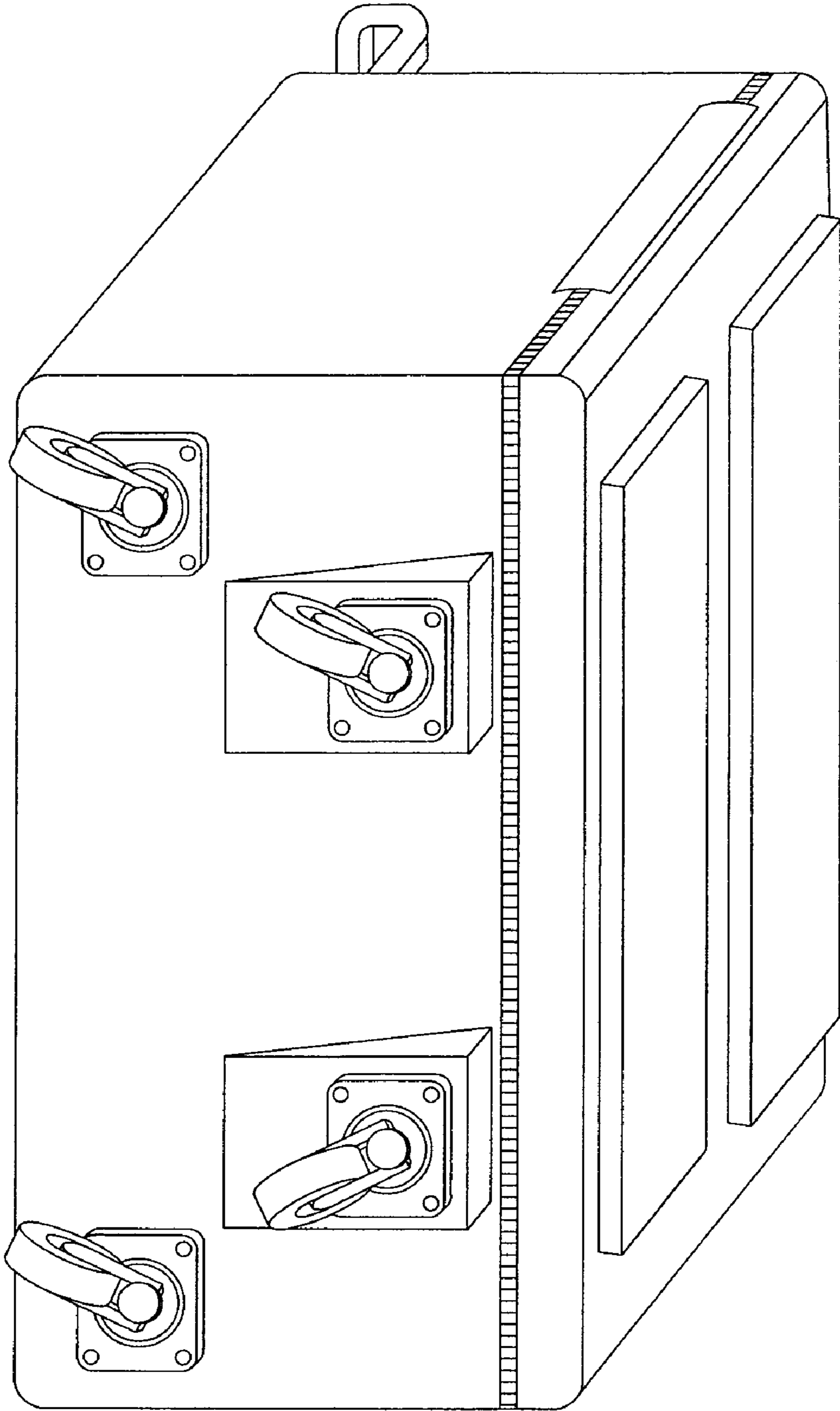


Figure 2

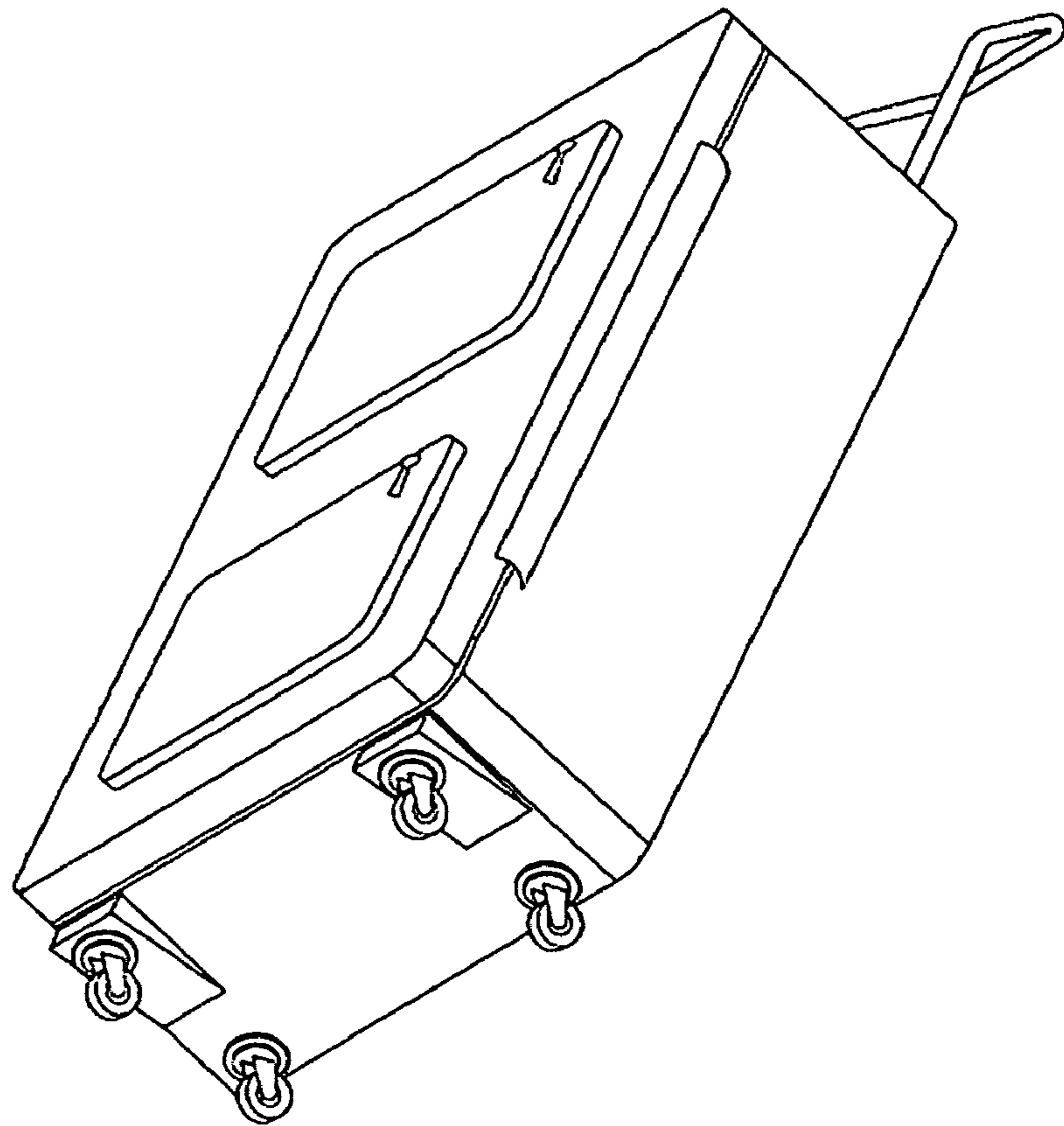


Figure 3

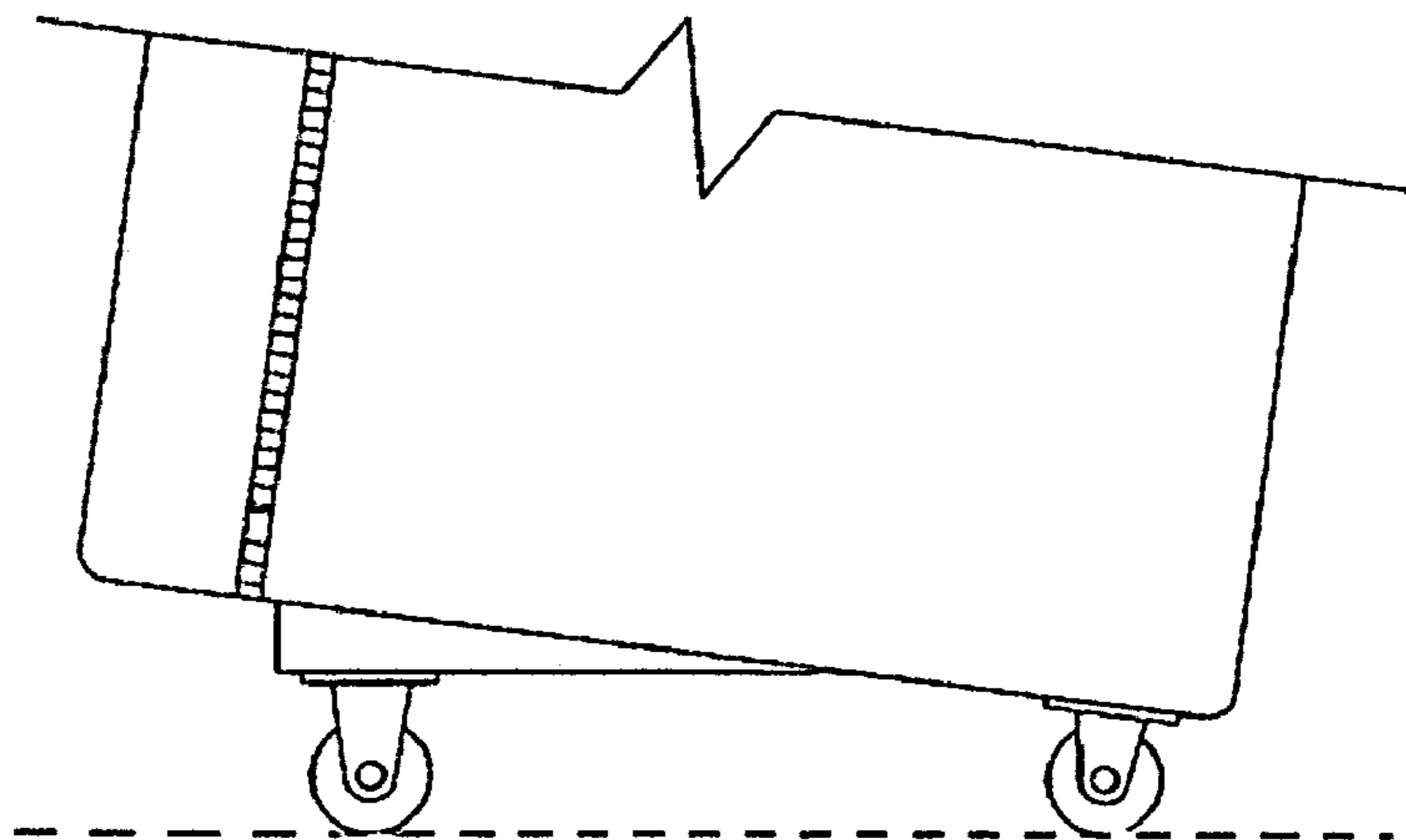


Figure 4