



US00D583145S

(12) **United States Design Patent**
Muncy et al.

(10) **Patent No.:** **US D583,145 S**

(45) **Date of Patent:** **** Dec. 23, 2008**

(54) **MEDIA PLAYER CASE**

(76) Inventors: **Jeff Muncy**, 6533 Peach Ave., Van Nuys,
CA (US) 91406; **Joy Kovalski**, 1725
Club View Dr., Los Angeles, CA (US)
95124

(**) Term: **14 Years**

(21) Appl. No.: **29/321,287**

(22) Filed: **Jul. 14, 2008**

(51) **LOC (8) Cl.** **03-01**

(52) **U.S. Cl.** **D3/218**

(58) **Field of Classification Search** D3/218,
D3/201, 215, 226, 269, 271, 272-273; 206/305,
206/320; 455/90, 92, 42; 379/455; 224/901,
224/904, 682-683, 666; D14/496, 156, 138
See application file for complete search history.

(56) **References Cited**

U.S. PATENT DOCUMENTS

D175,212 S	7/1955	Emery	
D202,627 S	10/1965	Warhaftig	
D325,671 S	4/1992	Carranza	
D340,959 S	11/1993	Warble	
D362,542 S	9/1995	Richards et al.	
D451,563 S	12/2001	Smith	
D460,255 S	7/2002	Hillman	
D493,158 S	7/2004	Yang	
D531,797 S	11/2006	Briggs	
D542,524 S *	5/2007	Richardson et al. D3/218
D547,056 S	7/2007	Griffin et al.	

D547,738 S	7/2007	Liang et al.	
D553,852 S *	10/2007	Brandenburg D3/218
D556,448 S *	12/2007	Brandenburg D3/218
D557,205 S *	12/2007	Kim D3/218
D565,839 S	4/2008	Allen	
D566,962 S *	4/2008	Griffin et al. D3/218
D568,042 S	5/2008	Cerullo	

* cited by examiner

Primary Examiner—Catherine R Oliver

(74) *Attorney, Agent, or Firm*—Aka Chan LLP

(57) **CLAIM**

The ornamental design for a media player case, as shown and described.

DESCRIPTION

FIG. 1 shows a perspective view of a design for a media player case.

FIG. 2 shows a perspective view of the design with an open cover.

FIG. 3 shows a front view of the design with a closed cover.

FIG. 4 shows a front view of the design with an open cover.

FIG. 5 shows a rear view of the design.

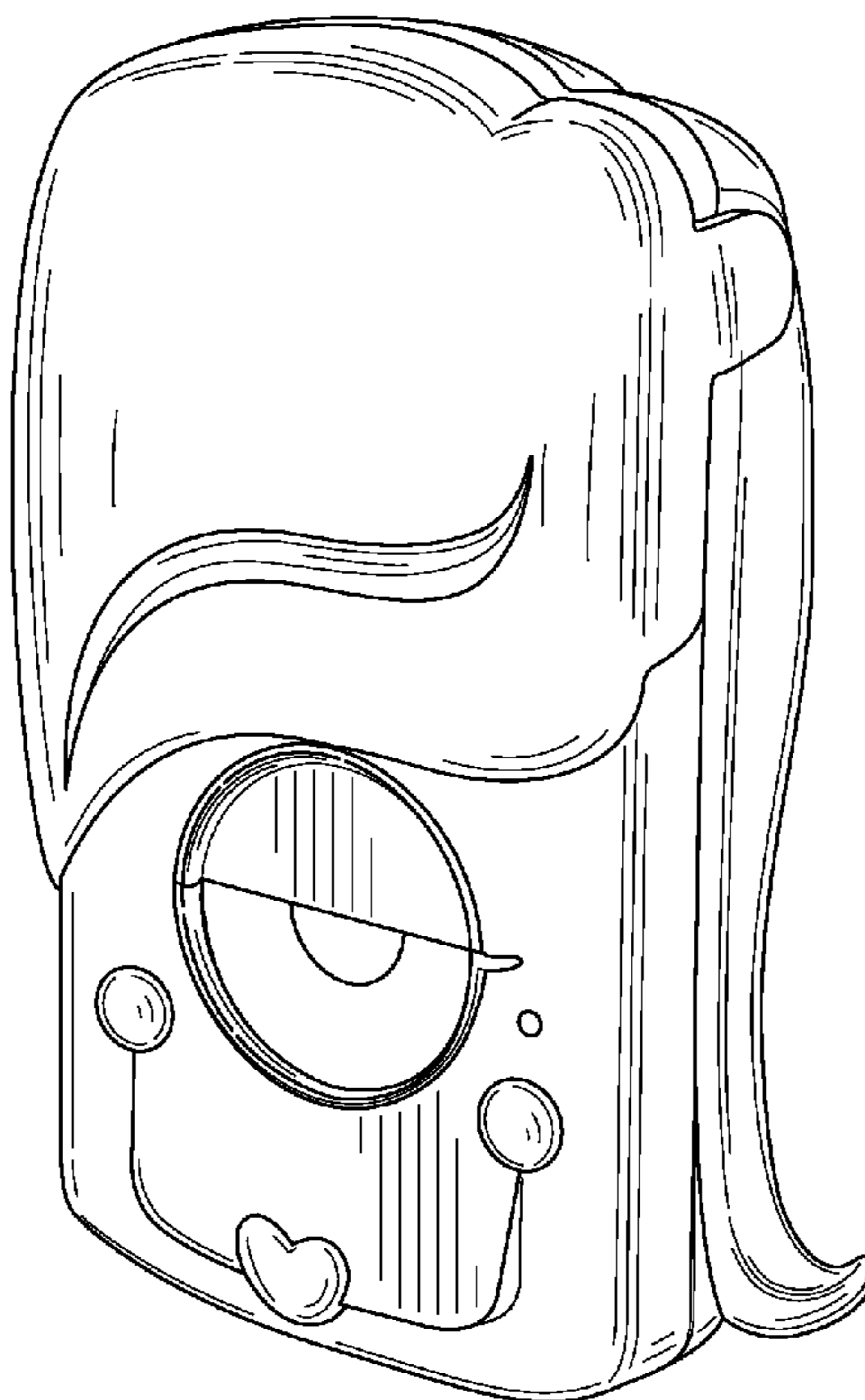
FIG. 6 shows a rear perspective view of the design.

FIG. 7 shows a right side view of the design; and,

FIG. 8 shows a left side view of the design.

The broken-line features in the figures are for illustrative purposes only and form no part of the claimed design.

1 Claim, 7 Drawing Sheets



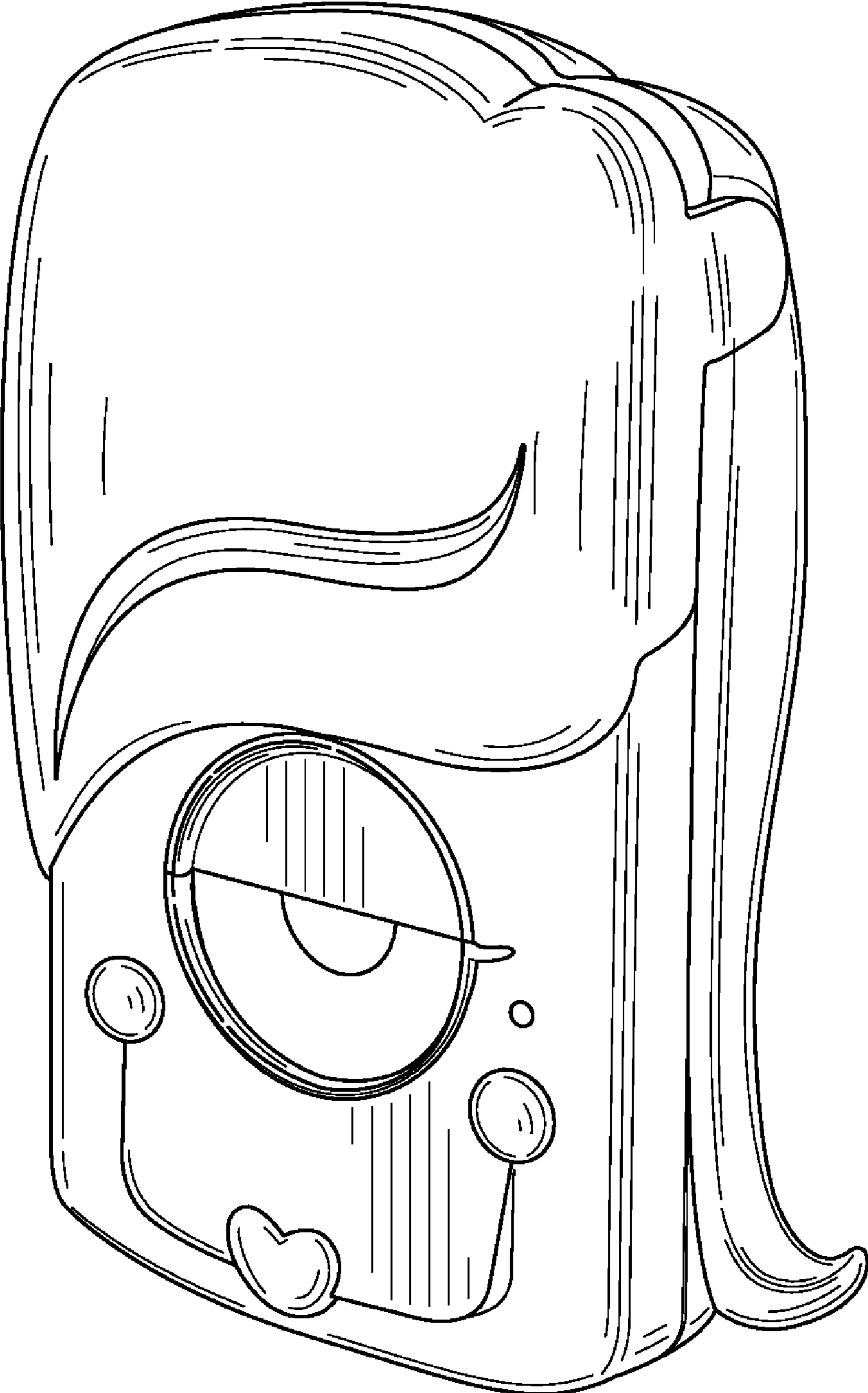


FIG. 1

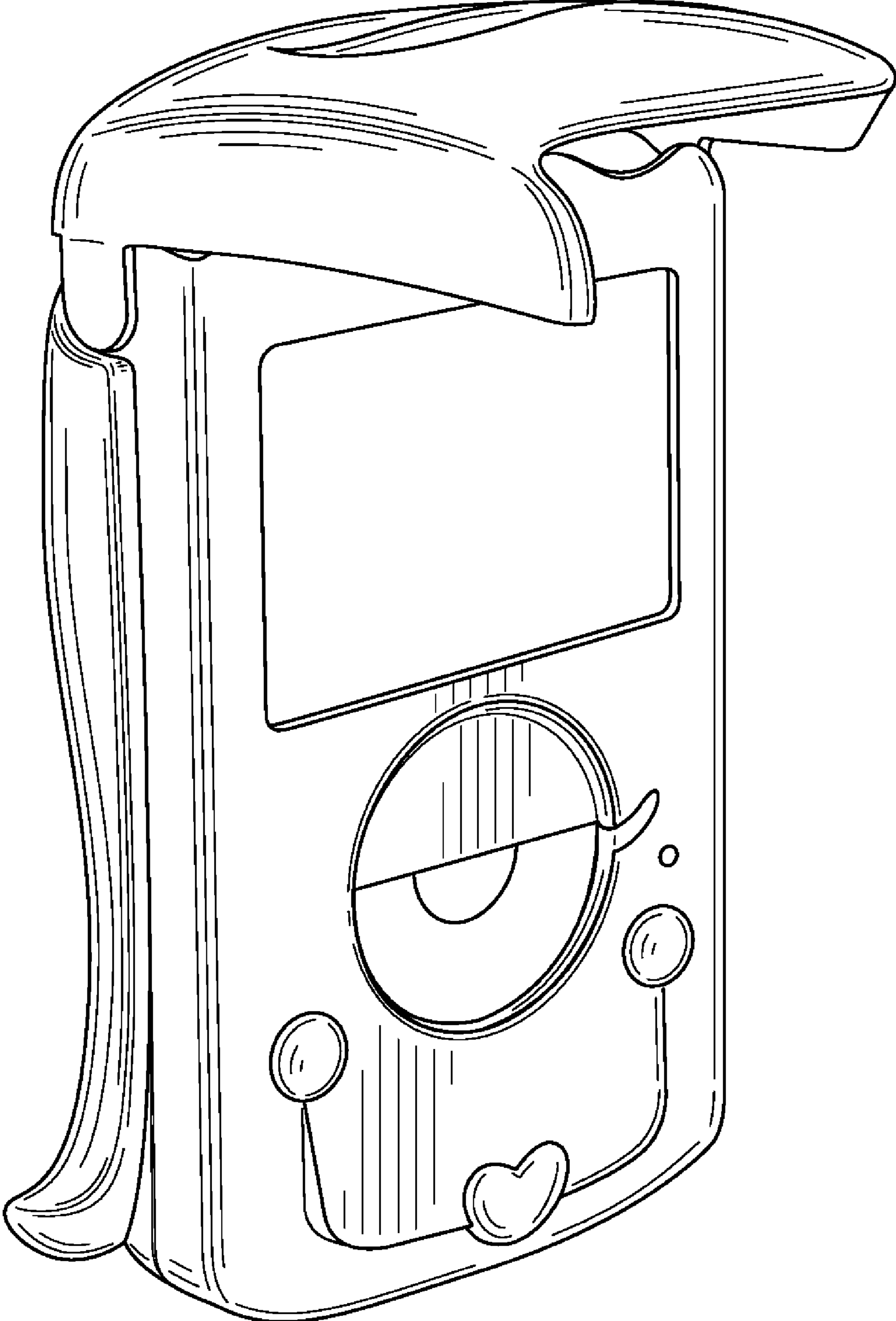


FIG. 2

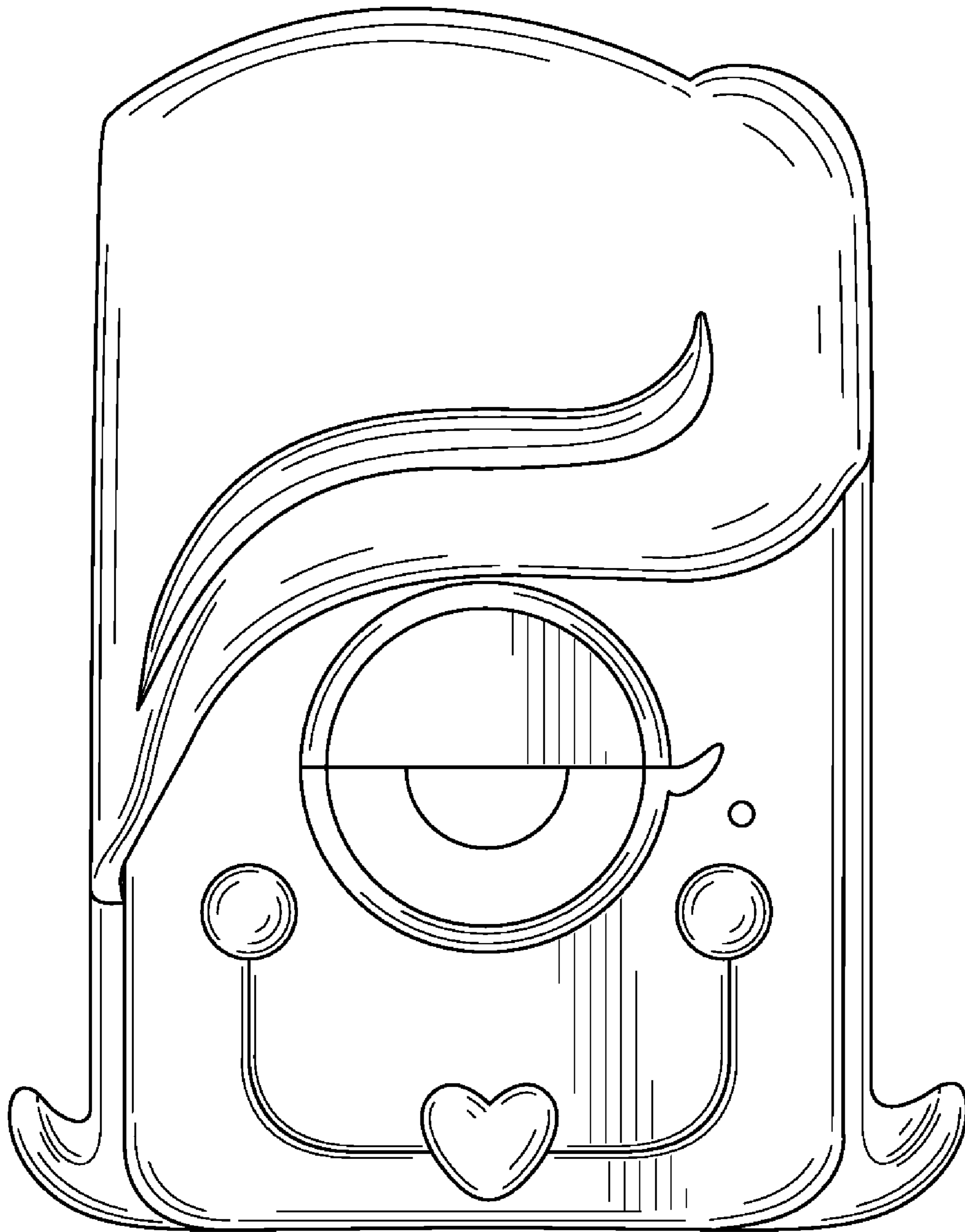


FIG. 3

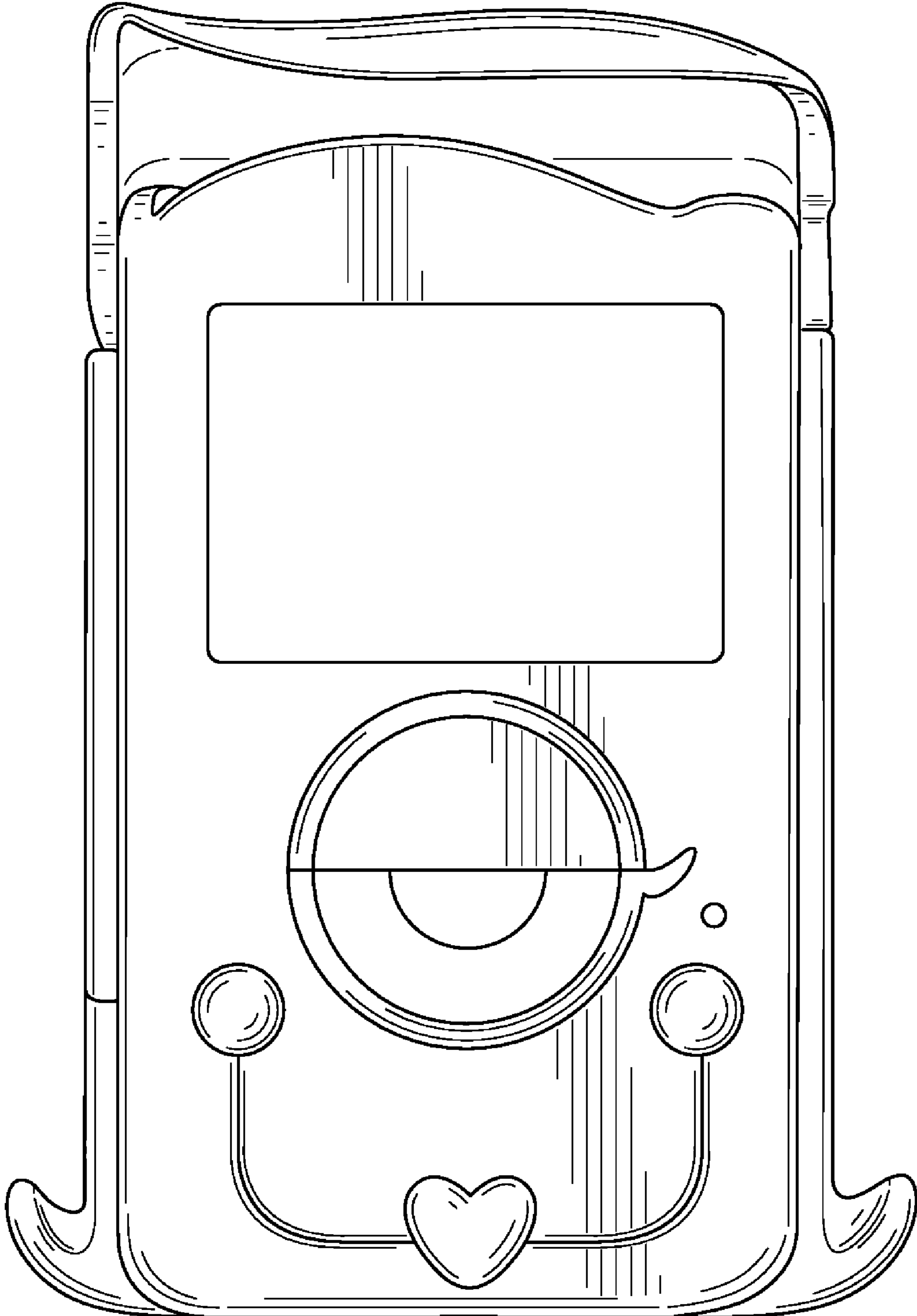


FIG. 4

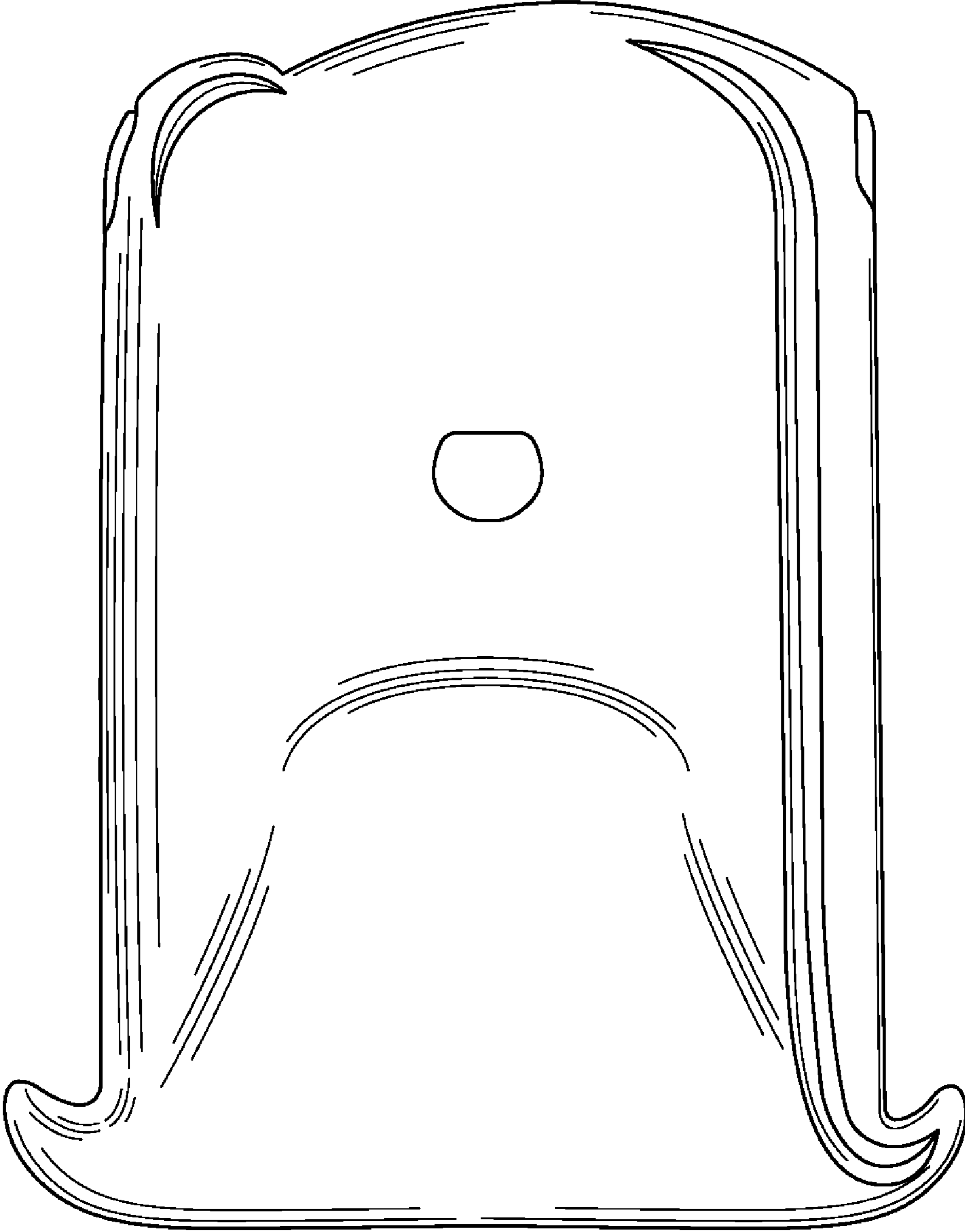


FIG. 5

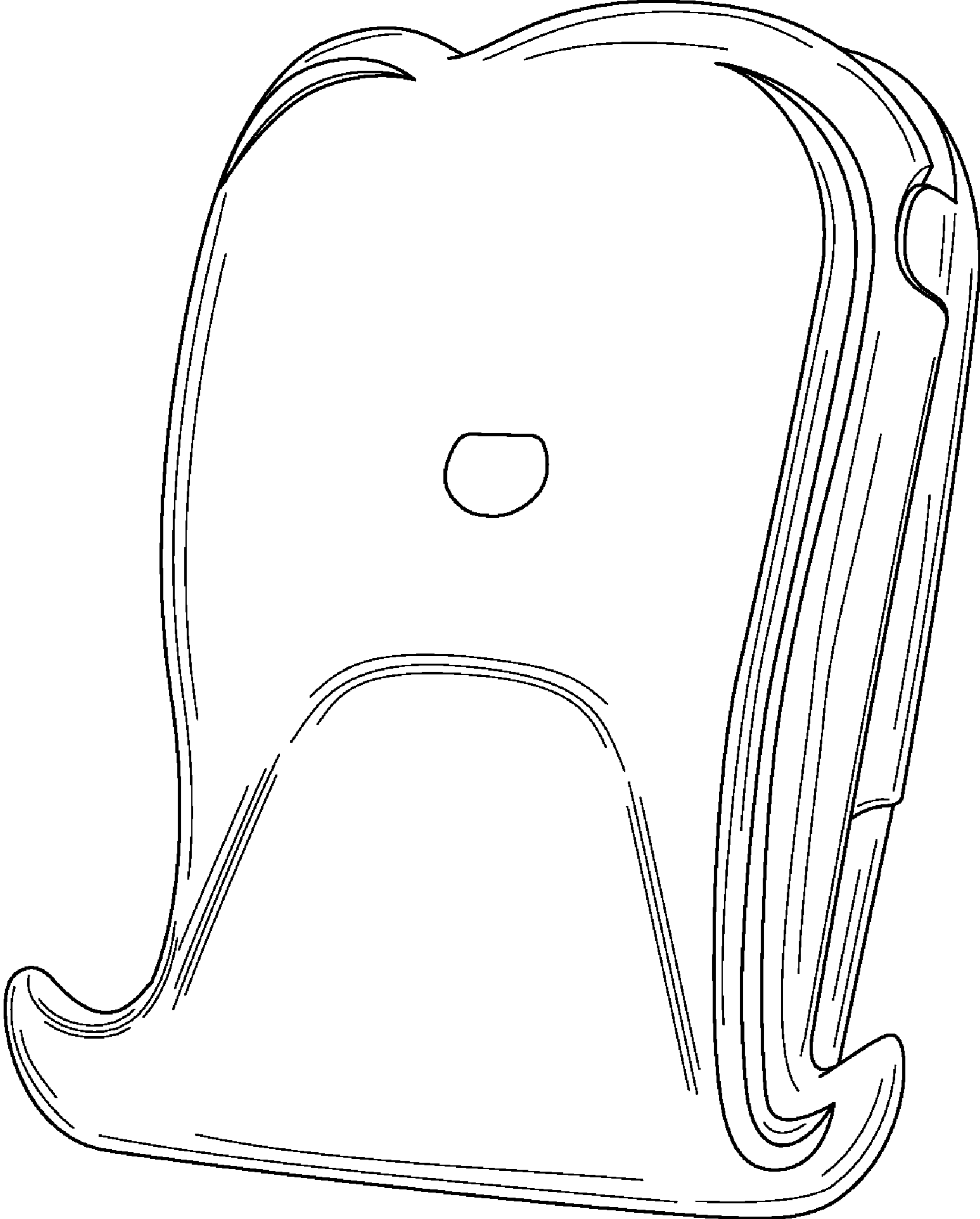


FIG. 6

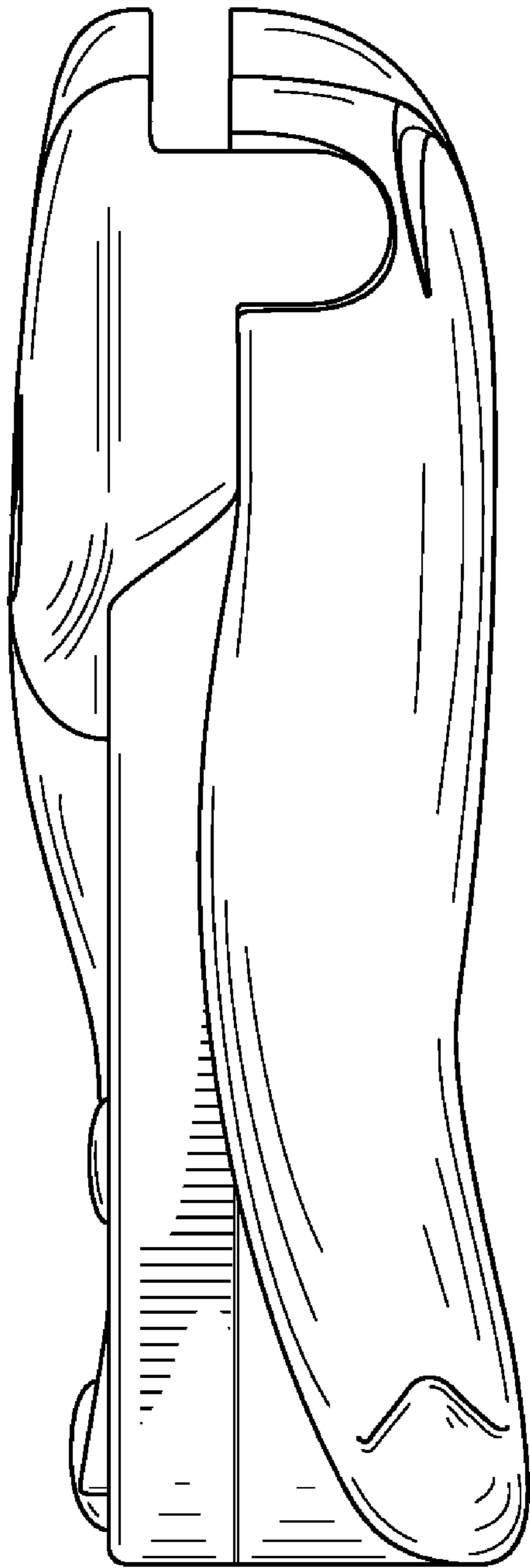


FIG. 7



FIG. 8