



US00D583143S

(12) **United States Design Patent**
Vejnar

(10) **Patent No.:** **US D583,143 S**
(45) **Date of Patent:** **** Dec. 23, 2008**

(54) **UTILITY HOUSING WITH RECEPTACLES FOR HANDHELD COMPUTER, LASER MEASURING DEVICE, AND CAMERA**

(76) Inventor: **Mark Willard Vejnar**, 6684 Lookout Ter., Riverside, CA (US) 92505

(**) Term: **14 Years**

(21) Appl. No.: **29/237,786**

(22) Filed: **Sep. 7, 2005**

(51) **LOC (8) Cl.** **03-01**

(52) **U.S. Cl.** **D3/201; D3/315**

(58) **Field of Classification Search** D3/201, D3/215, 218, 304-315, 901, 905; 206/557-566, 206/502, 1.7; 220/570-575, 656-659, DIG. 12-14; D7/553.1, 363, 555, 547, 698; 294/3.5, 146, 294/172; 224/218-222, 267, 165, 930
See application file for complete search history.

(56) **References Cited**

U.S. PATENT DOCUMENTS

D178,123	S *	6/1956	Harke	D3/315
5,186,507	A *	2/1993	Neidfeld	294/3.5
5,662,240	A *	9/1997	Norris	220/574
D459,581	S *	7/2002	Krumes	D3/304
6,726,070	B2 *	4/2004	Lautner	224/221
6,923,485	B1 *	8/2005	Bauswell	294/3.5

* cited by examiner

Primary Examiner—Catherine R Oliver

(74) *Attorney, Agent, or Firm*—Robert S. Schlesinger

(57) **CLAIM**

I claim the ornamental design for a utility housing with receptacles for handheld computer, laser measuring device, and camera, as shown and described.

DESCRIPTION

FIG. 1 shows a perspective front view from the top and right side, of the utility housing with receptacles for handheld computer, laser measuring device, and camera, and showing my new design;

FIG. 2 shows a perspective front view from the right side thereof;

FIG. 3 shows a perspective front view from the top and left side thereof;

FIG. 4 shows a perspective left side view from the front thereof;

FIG. 5 shows front view thereof;

FIG. 6 shows a left side view thereof;

FIG. 7 shows a right side view thereof;

FIG. 8 shows a top view thereof;

FIG. 9 shows a bottom view thereof;

FIG. 10 shows a rear view thereof;

FIG. 11 shows a perspective rear view from the top thereof;

FIG. 12 shows a perspective rear view from the bottom right side thereof;

FIG. 13 shows a perspective rear view from the top right side thereof, and showing three instruments, a handheld computer, a laser measuring device, and a camera, each in their respective receptacle, with said instruments shown in dashed lines, as they are not a part of the claimed invention;

FIG. 14 shows a perspective rear view from top left side thereof, and showing the three aforementioned instruments each in their respective receptacle, with said instruments shown in dashed lines, as they are not a part of the claimed invention;

FIG. 15 shows a perspective front view from the top left side thereof, and showing the three aforementioned instruments each in their respective receptacle, and with said instruments shown in dashed lines, as they are not a part of the claimed invention;

FIG. 16 shows an exploded front view from the bottom left side thereof, and showing how the clamp for a handheld computer, and the two additional mounting screws for two other instruments, are attached;

FIG. 17 shows and exploded rear view from the bottom left side thereof, and showing how said clamp and two additional mounting screws are attached;

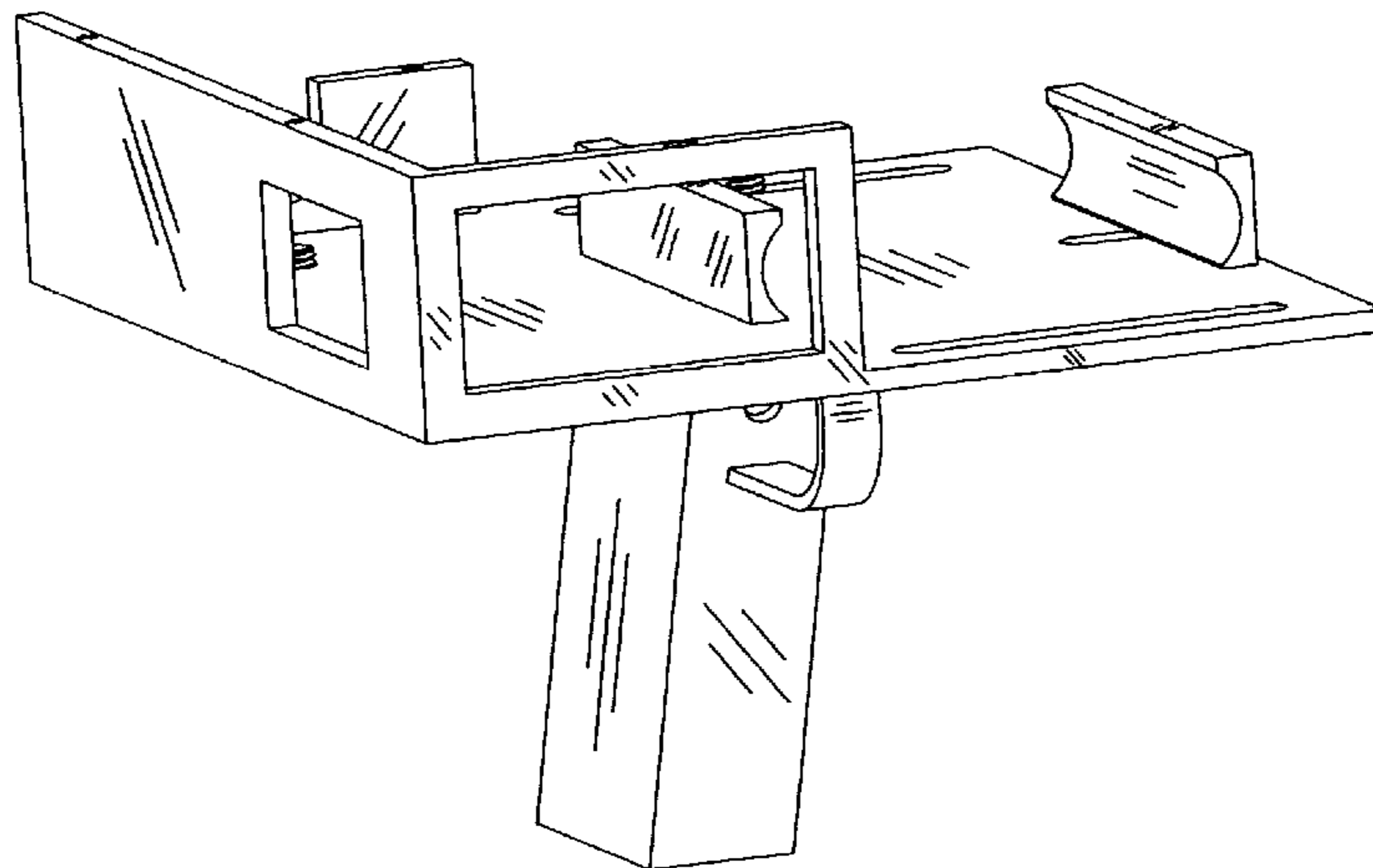


FIG. **18** shows an exploded perspective top view from the front and left side thereof, and showing with arrows how three instruments, a handheld computer, a laser measuring device, and a camera, each fit onto their respective receptacle, with said instruments shown in dashed lines, as they are not a part of the claimed invention;

FIG. **19** shows an exploded perspective top view from the rear and right side thereof, and showing with arrows how the aforementioned three instruments each fit onto their respective receptacle, with said instruments shown in dashed lines, as they are not a part of the claimed invention;

FIG. **20** shows perspective front view from the top and left side of the utility housing invention, but with an alternative instrument placement configuration, having the camera located near the front end, and the handheld computer located near the rear end of said invention; and,

FIG. **21** shows an exploded perspective front view from the top and right side thereof, and showing said alternative instrument placement configuration with arrows.

1 Claim, 21 Drawing Sheets

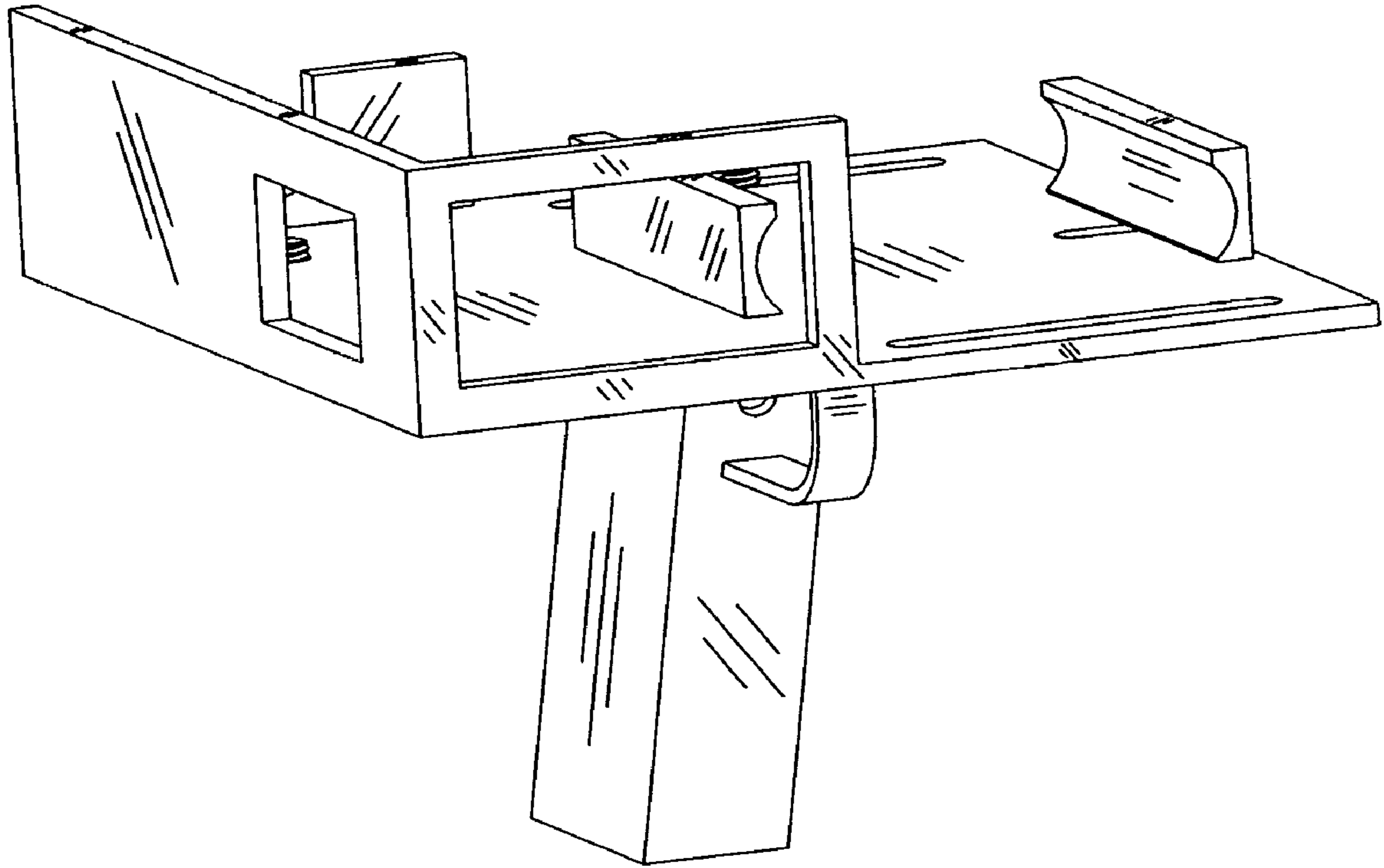


Fig. 1

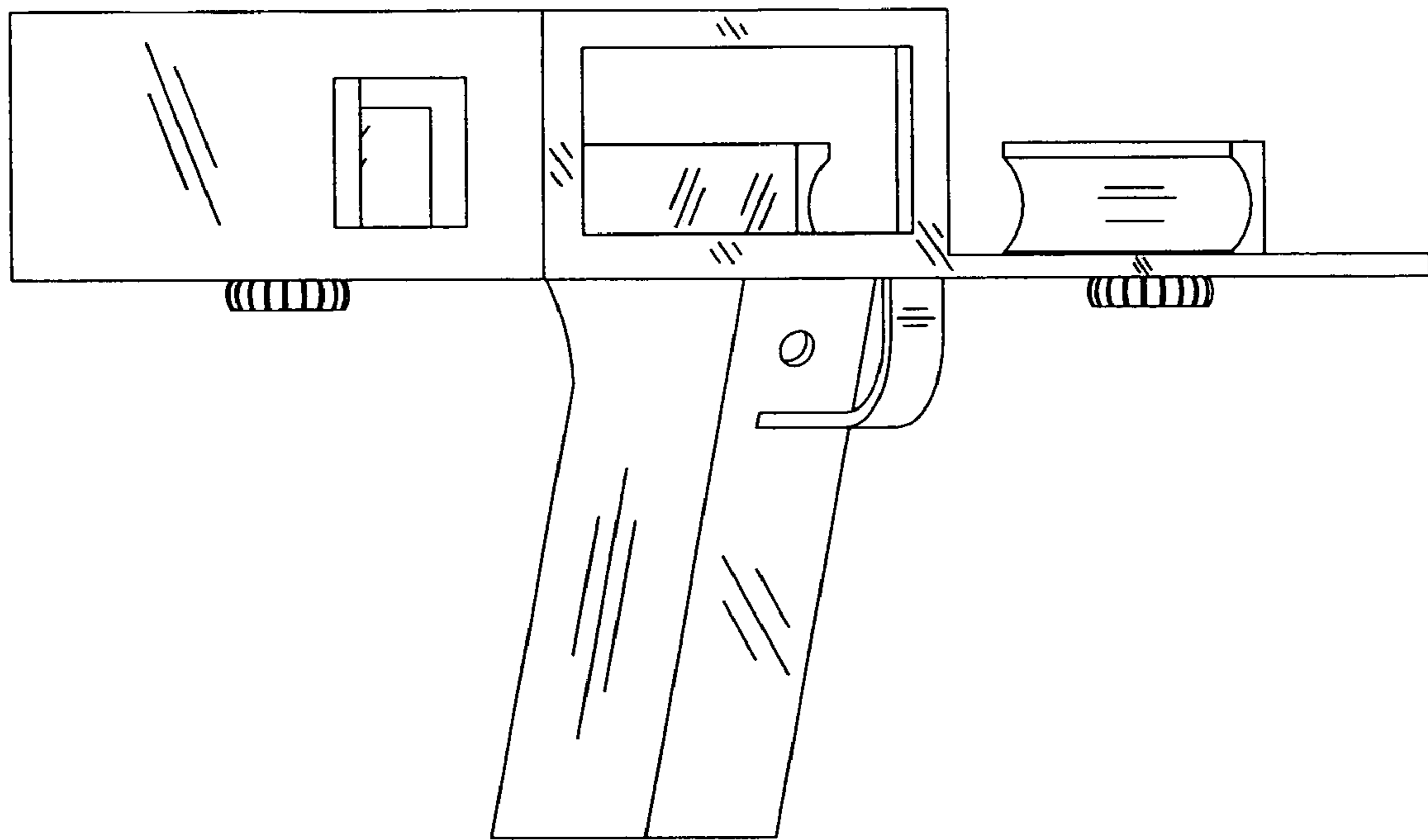


Fig. 2

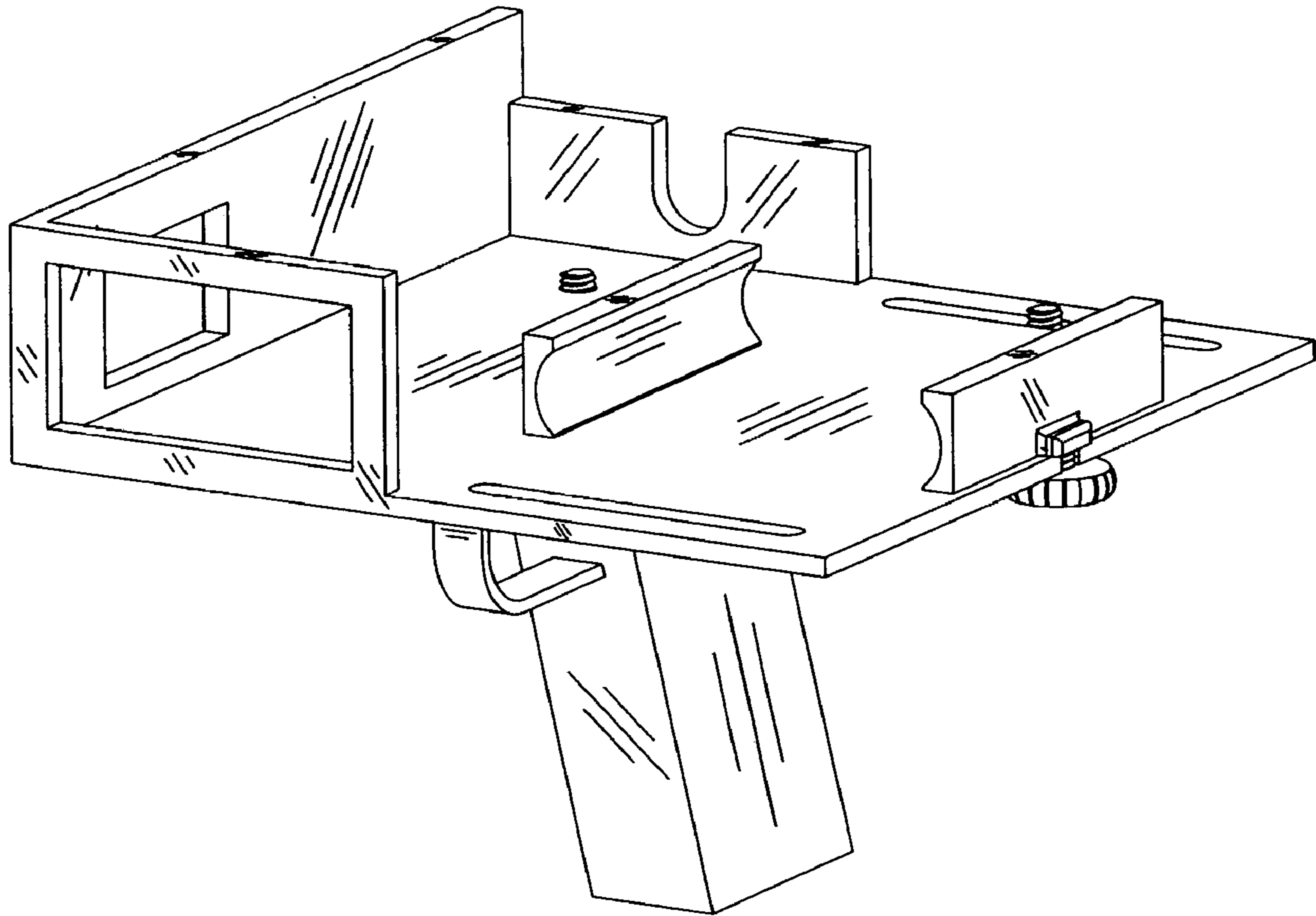


Fig. 3

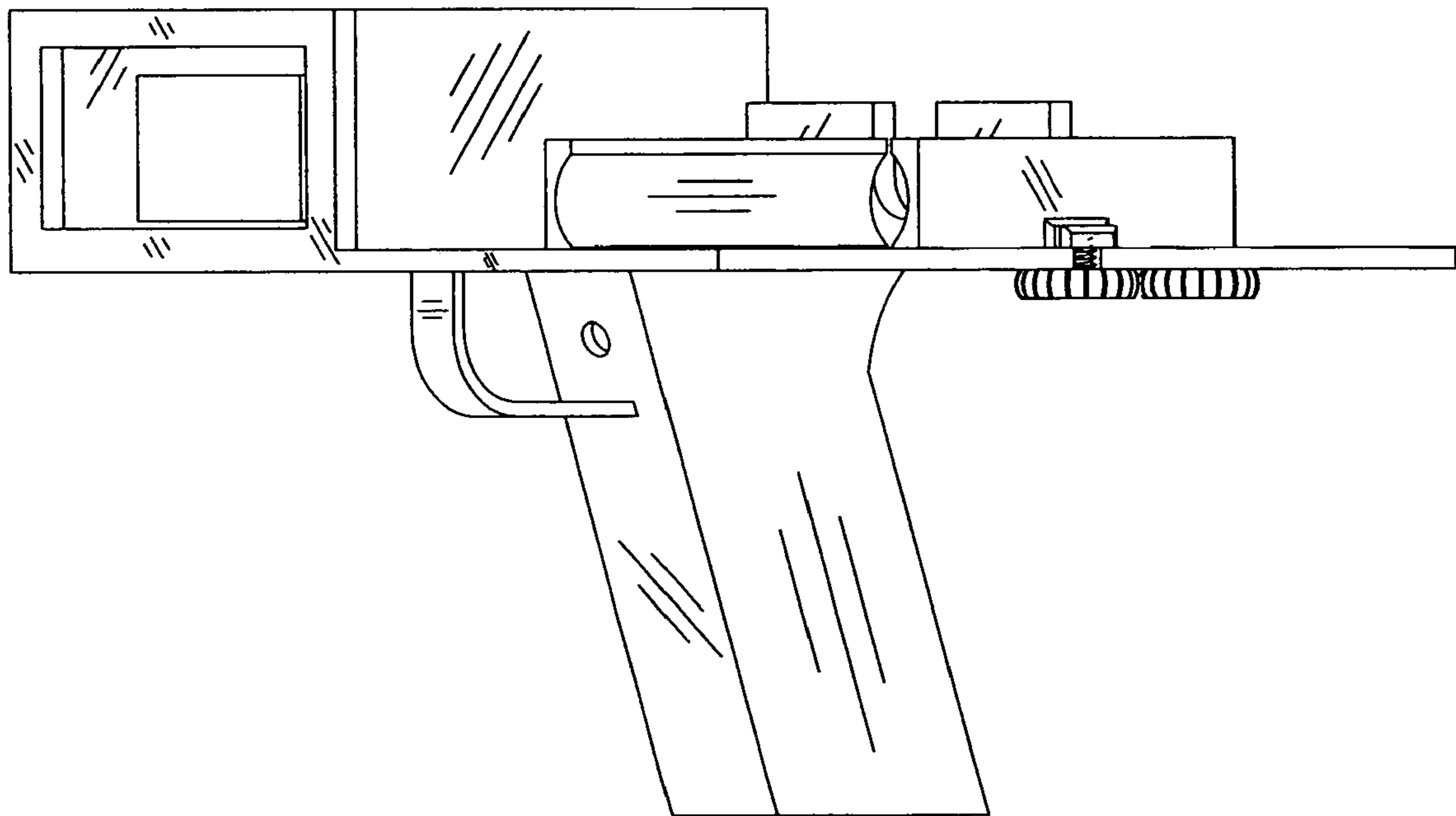


Fig. 4

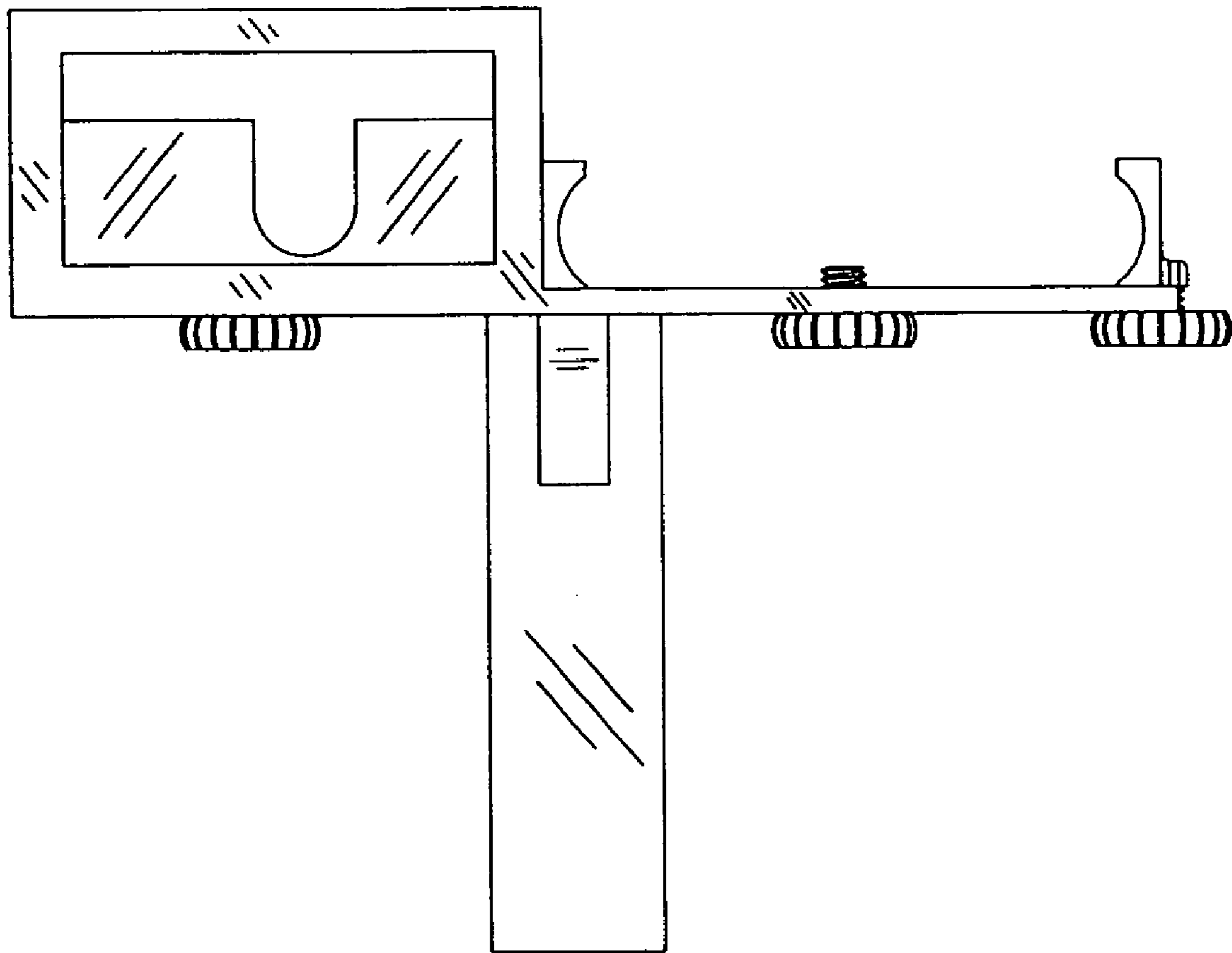


Fig. 5

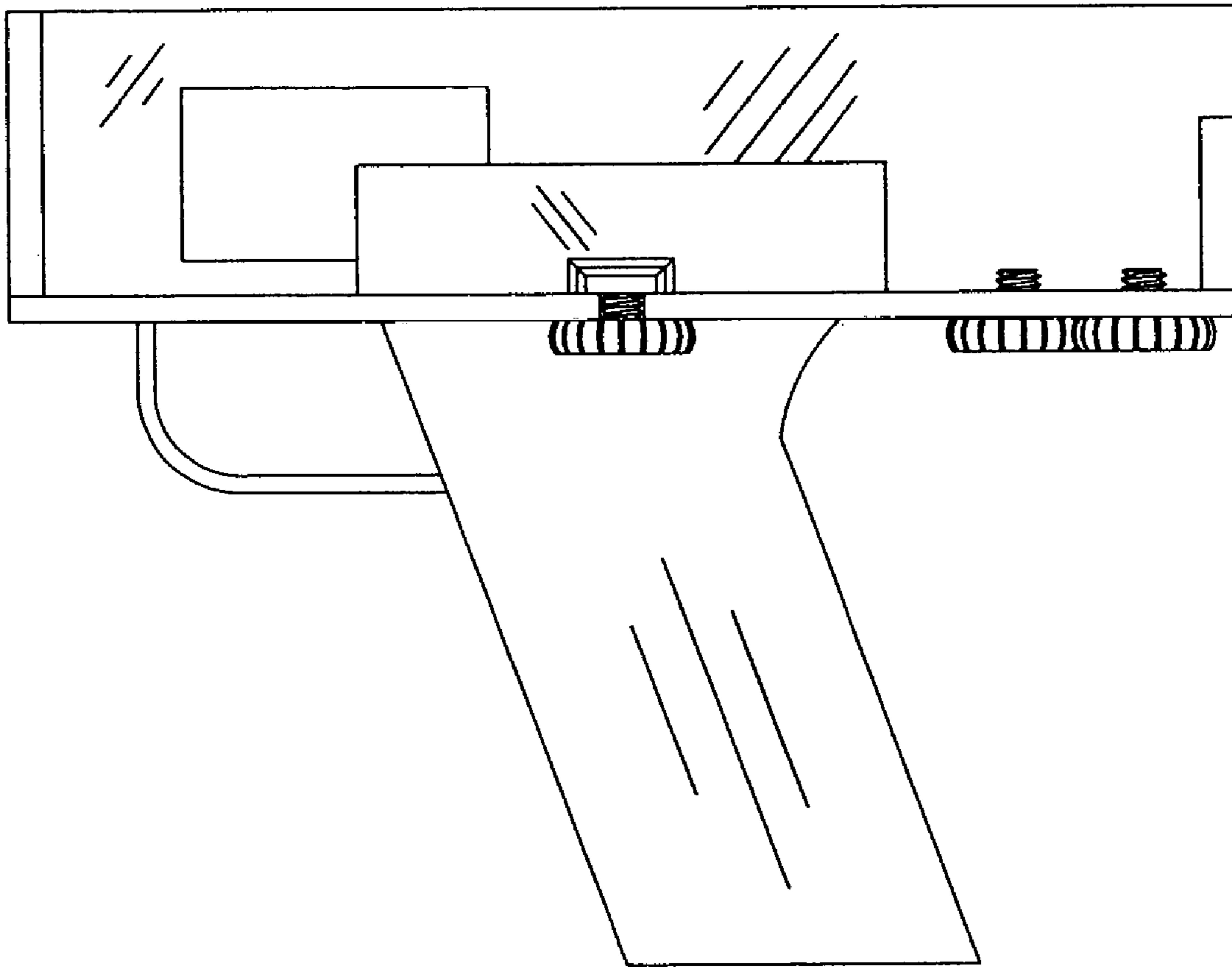


Fig. 6

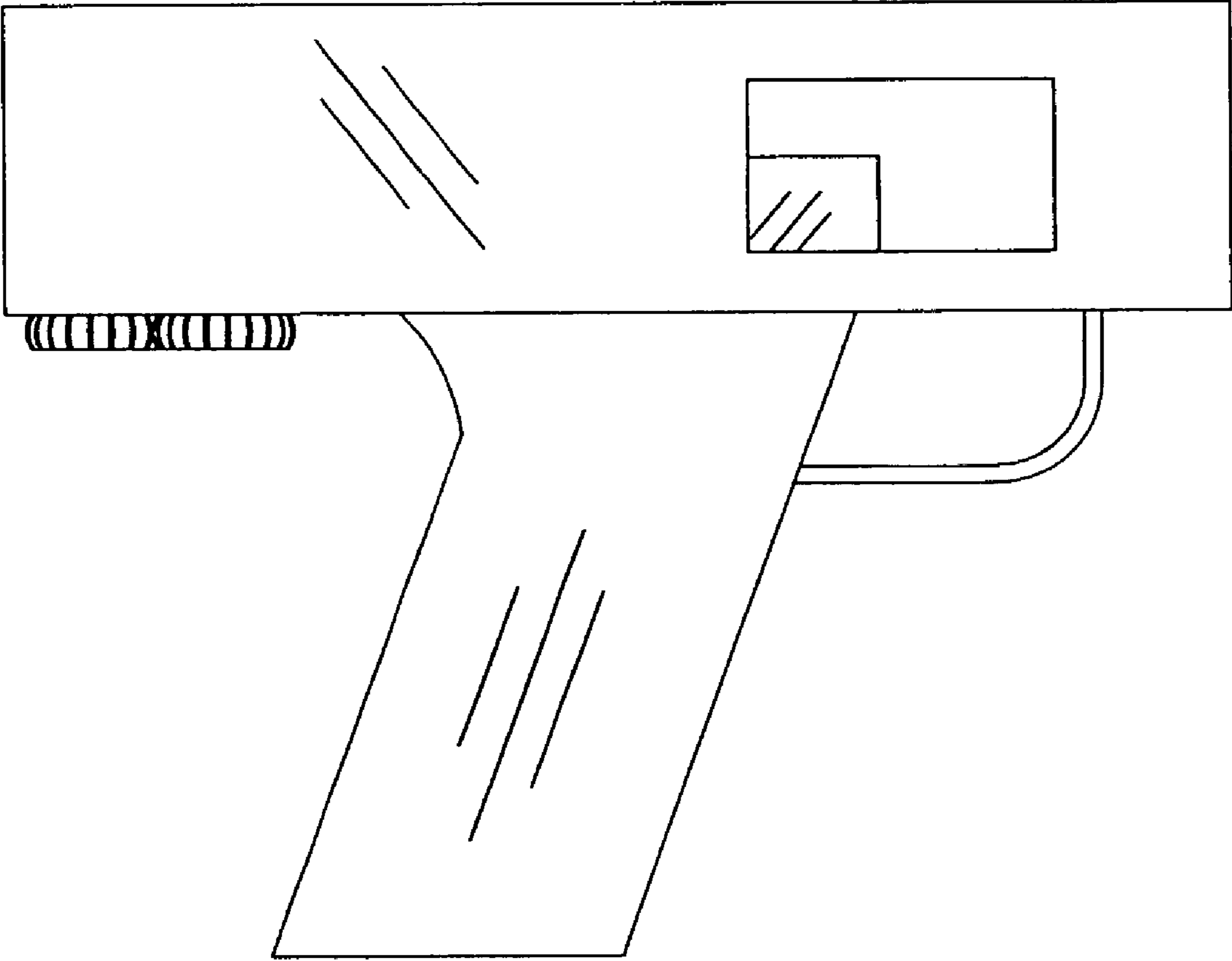


Fig. 7

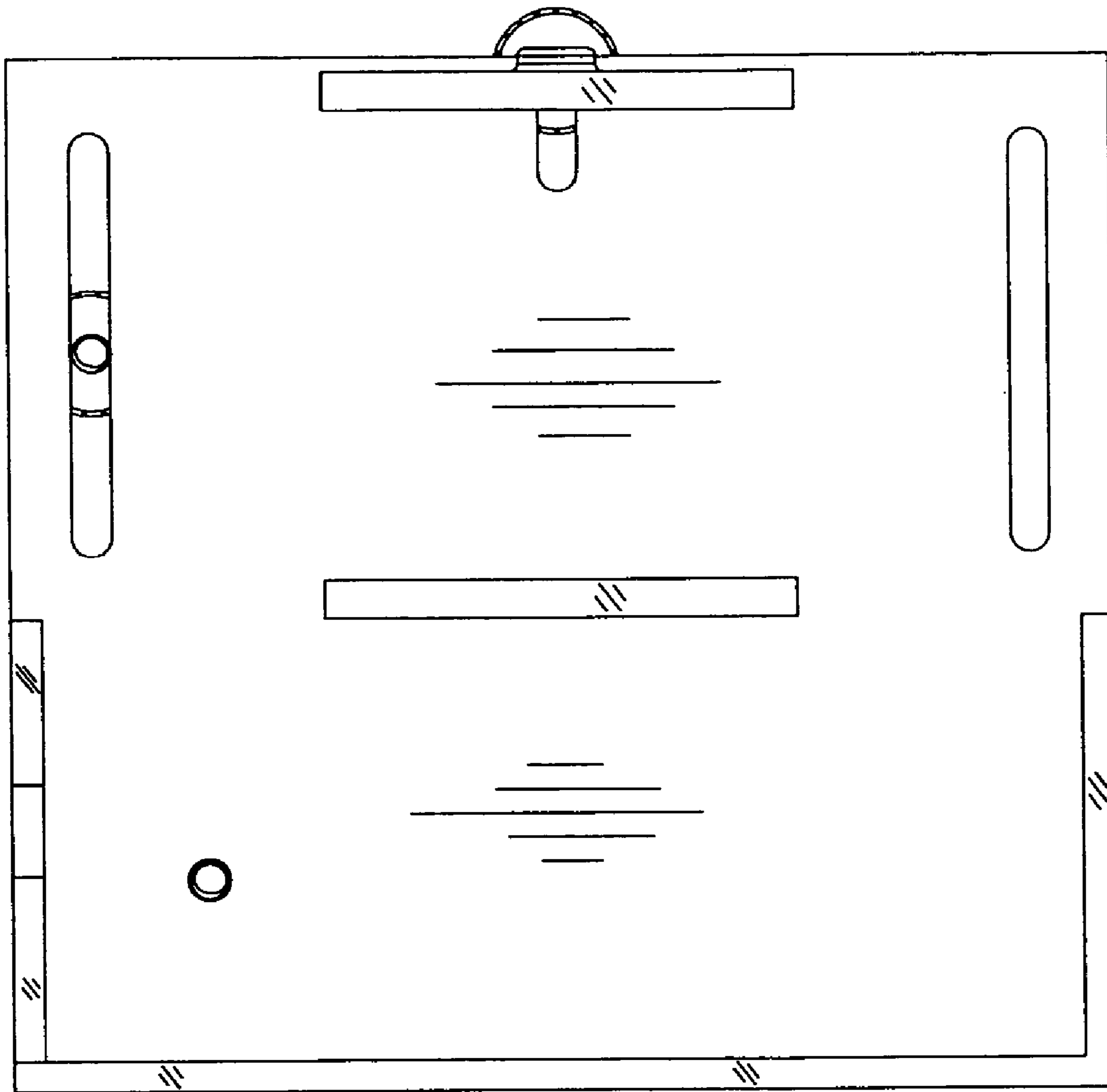


Fig. 8

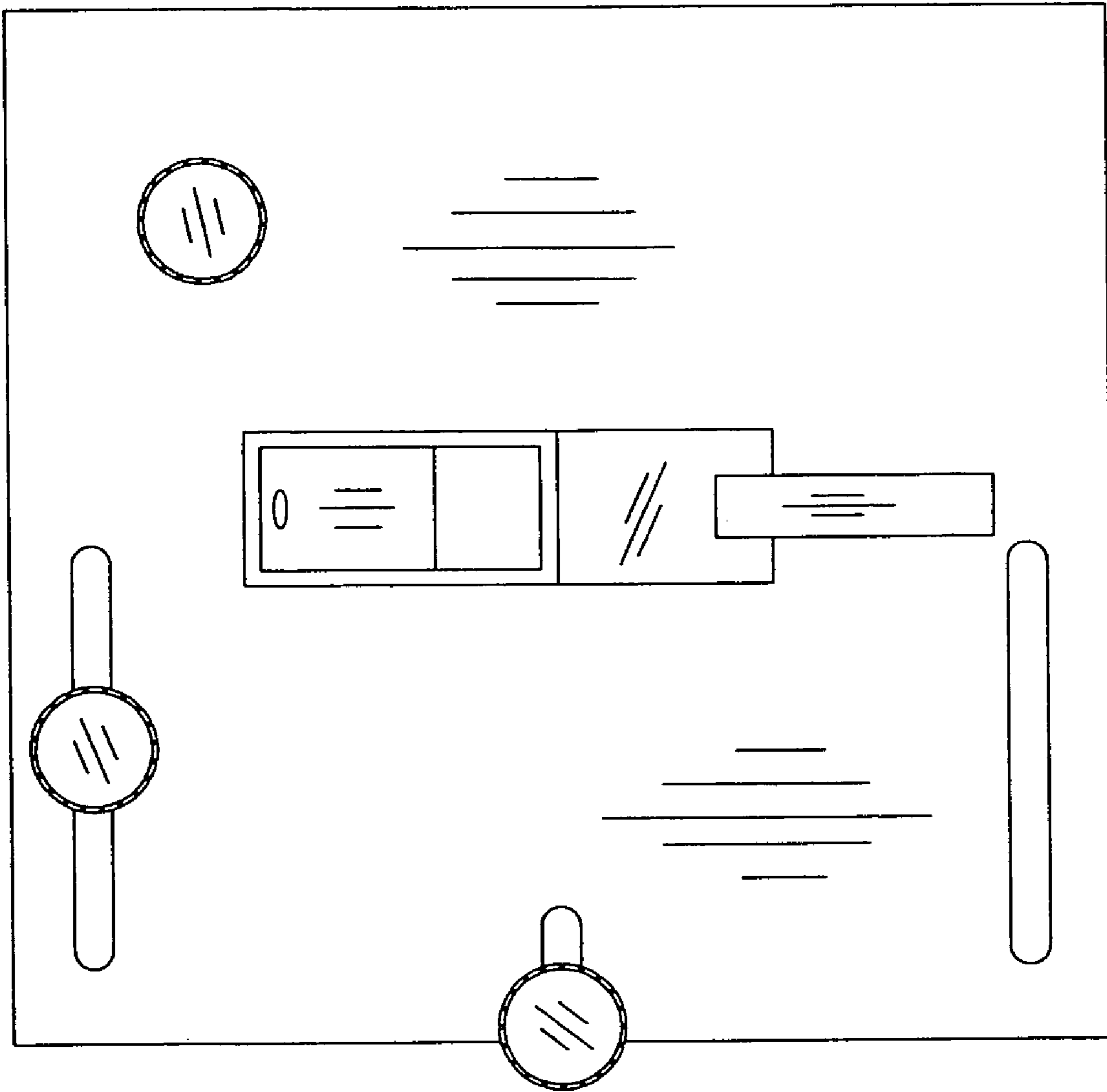


Fig. 9

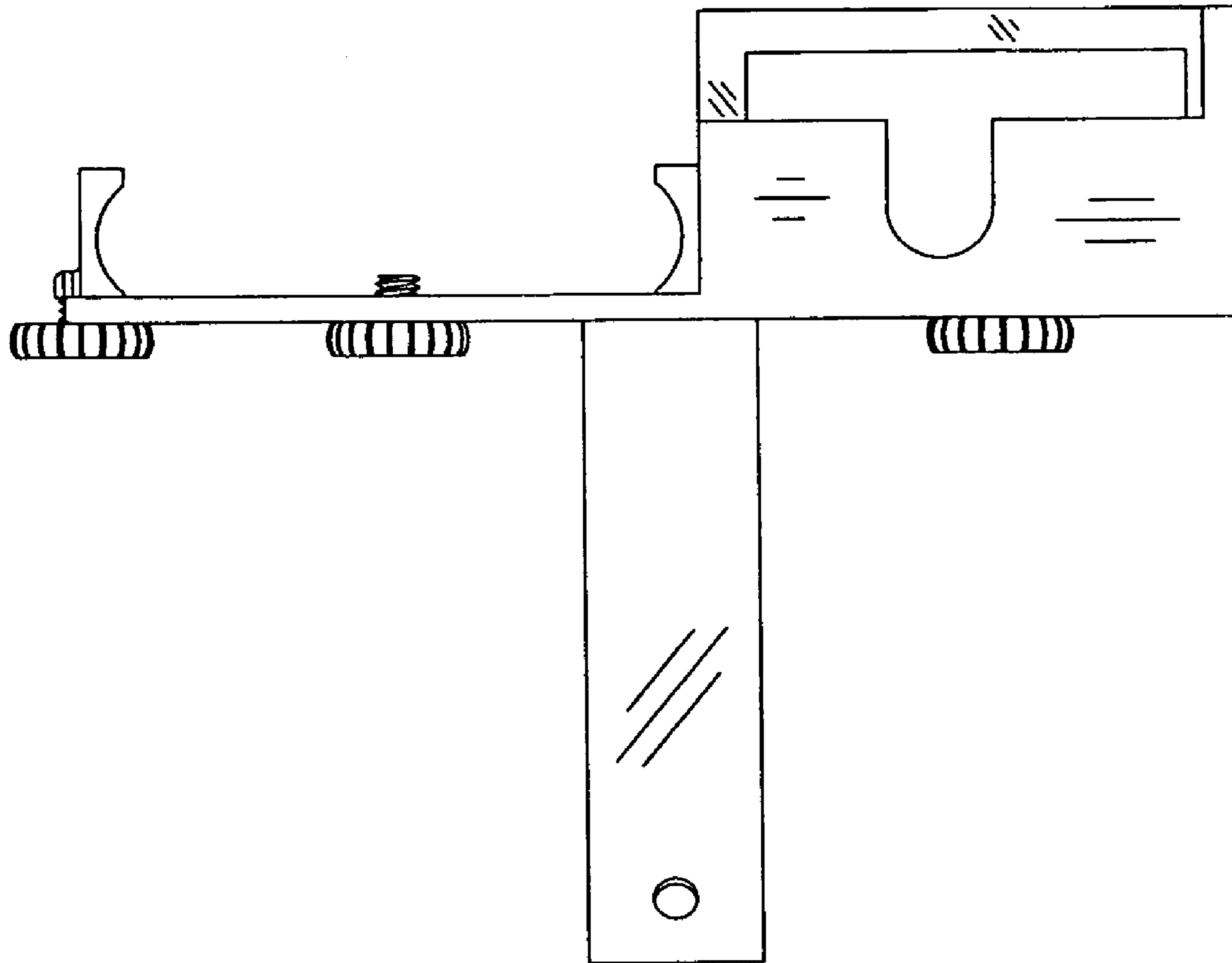


Fig. 10

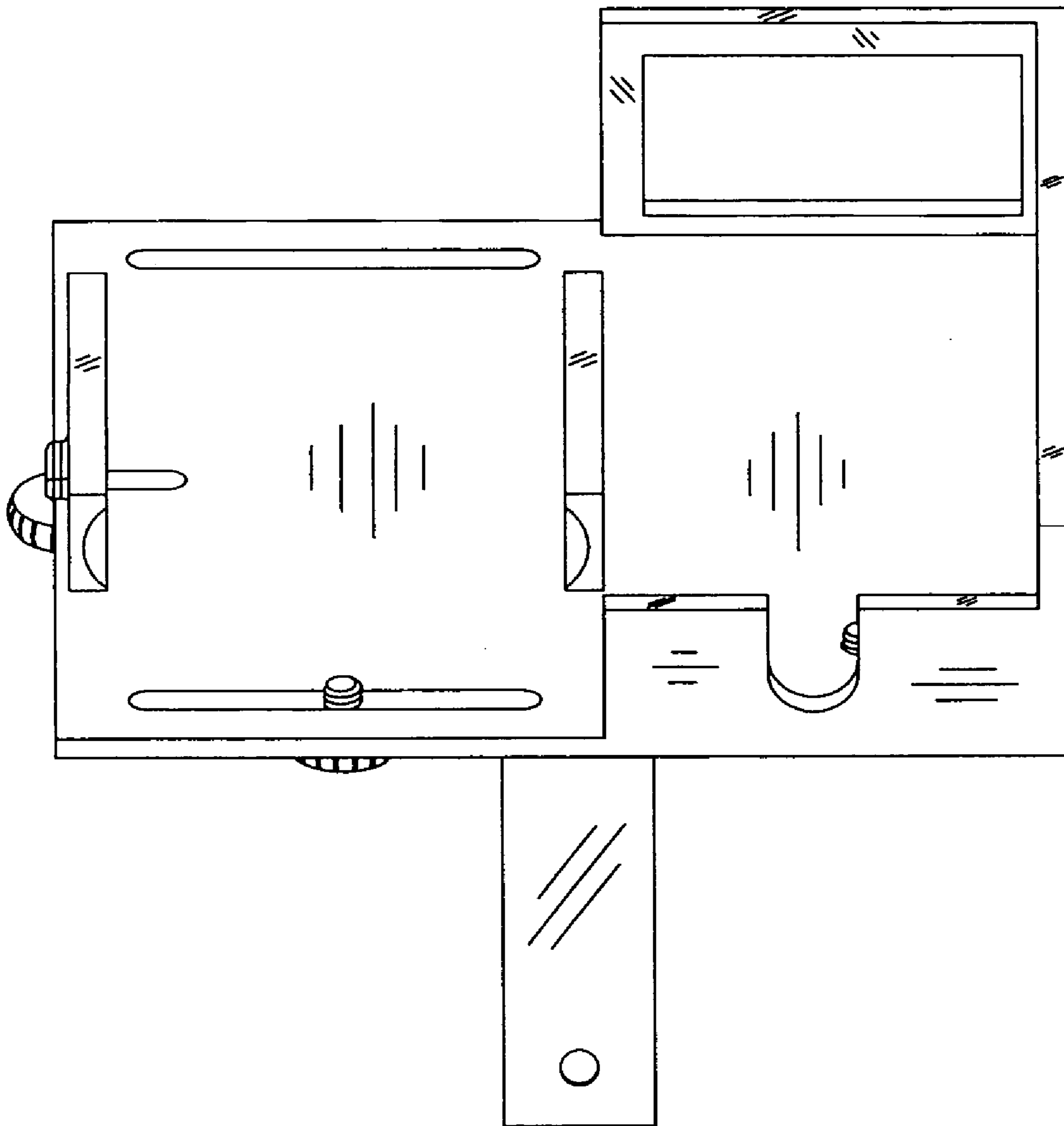


Fig. 11

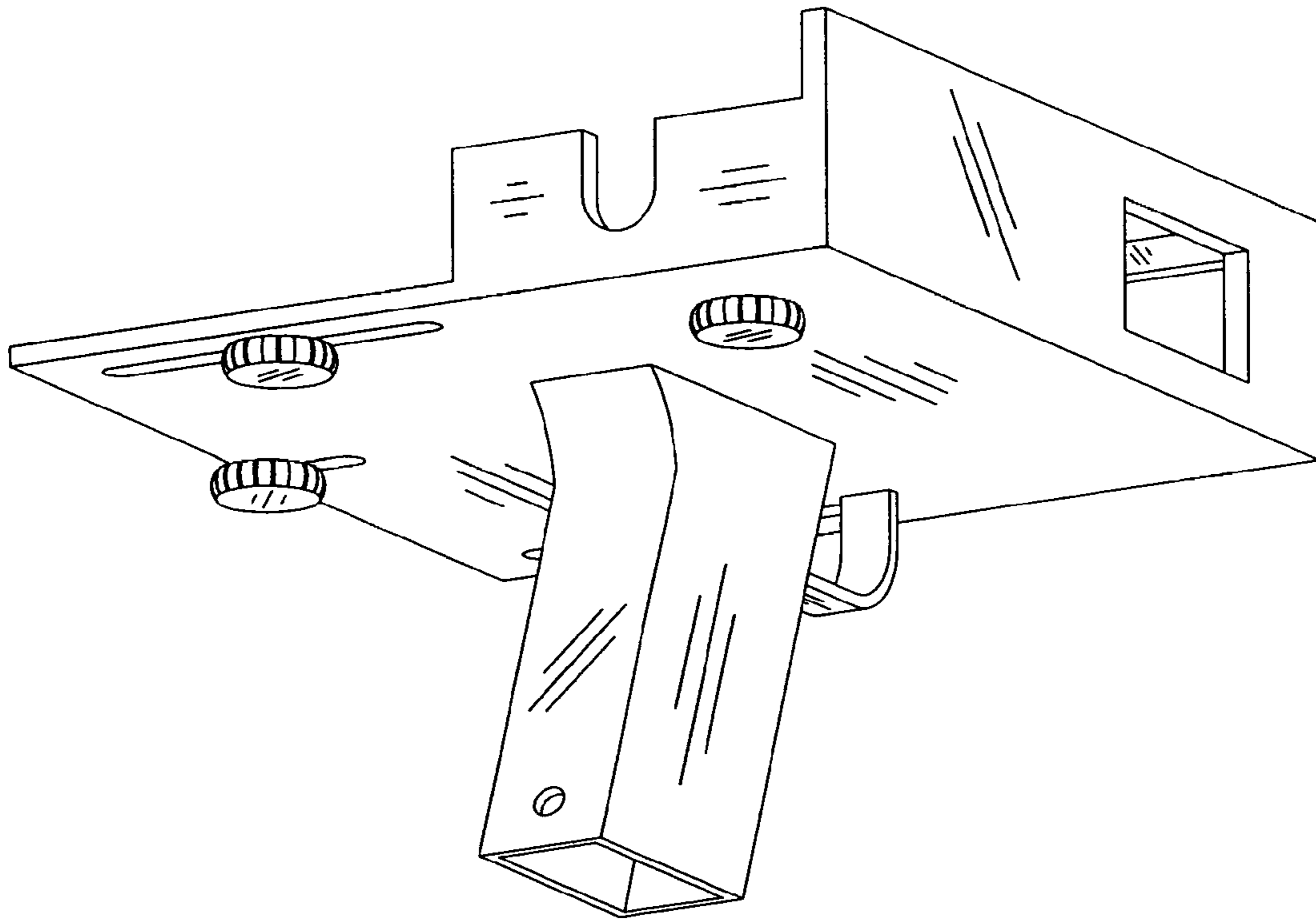


Fig. 12

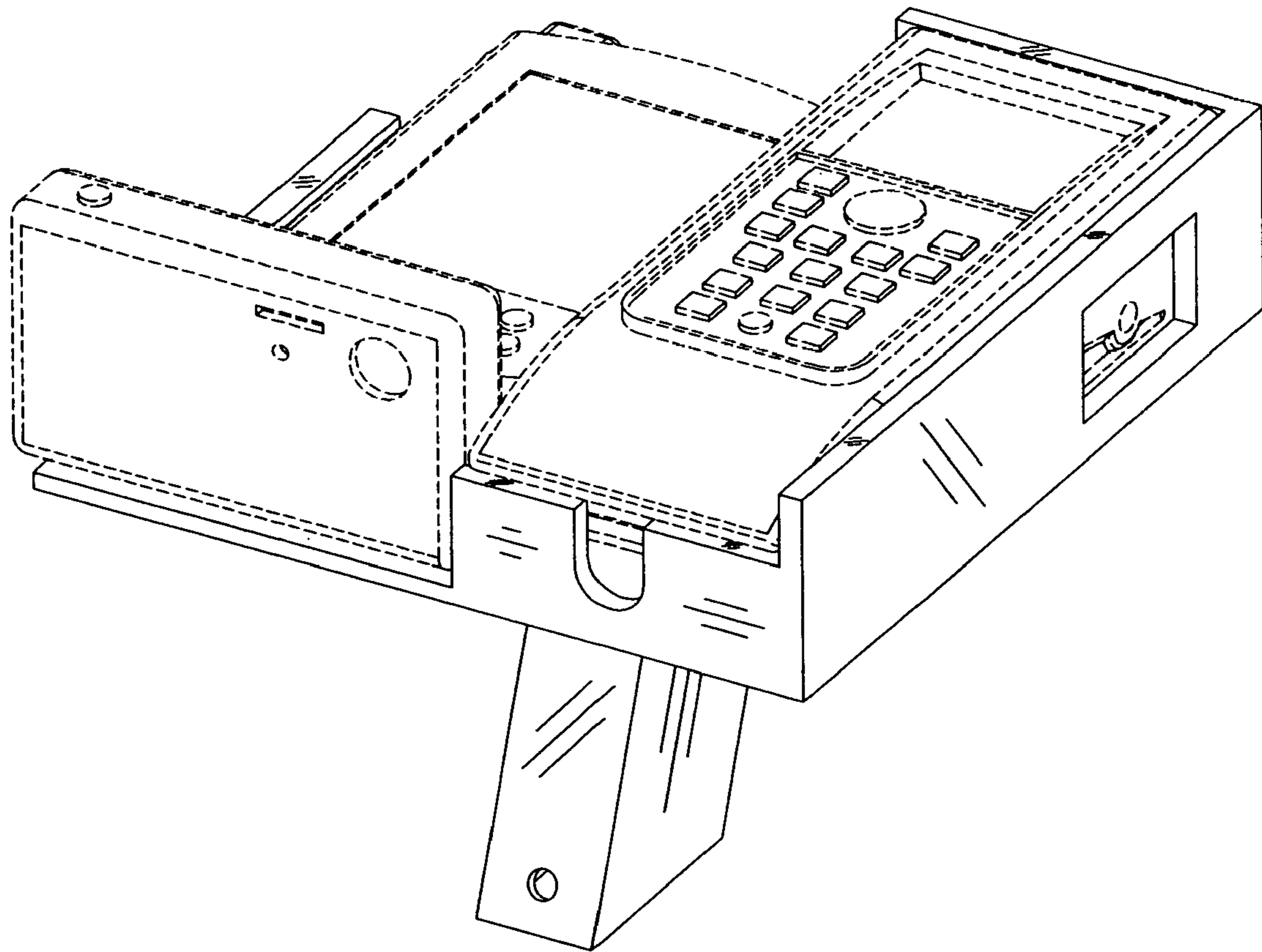


Fig. 13

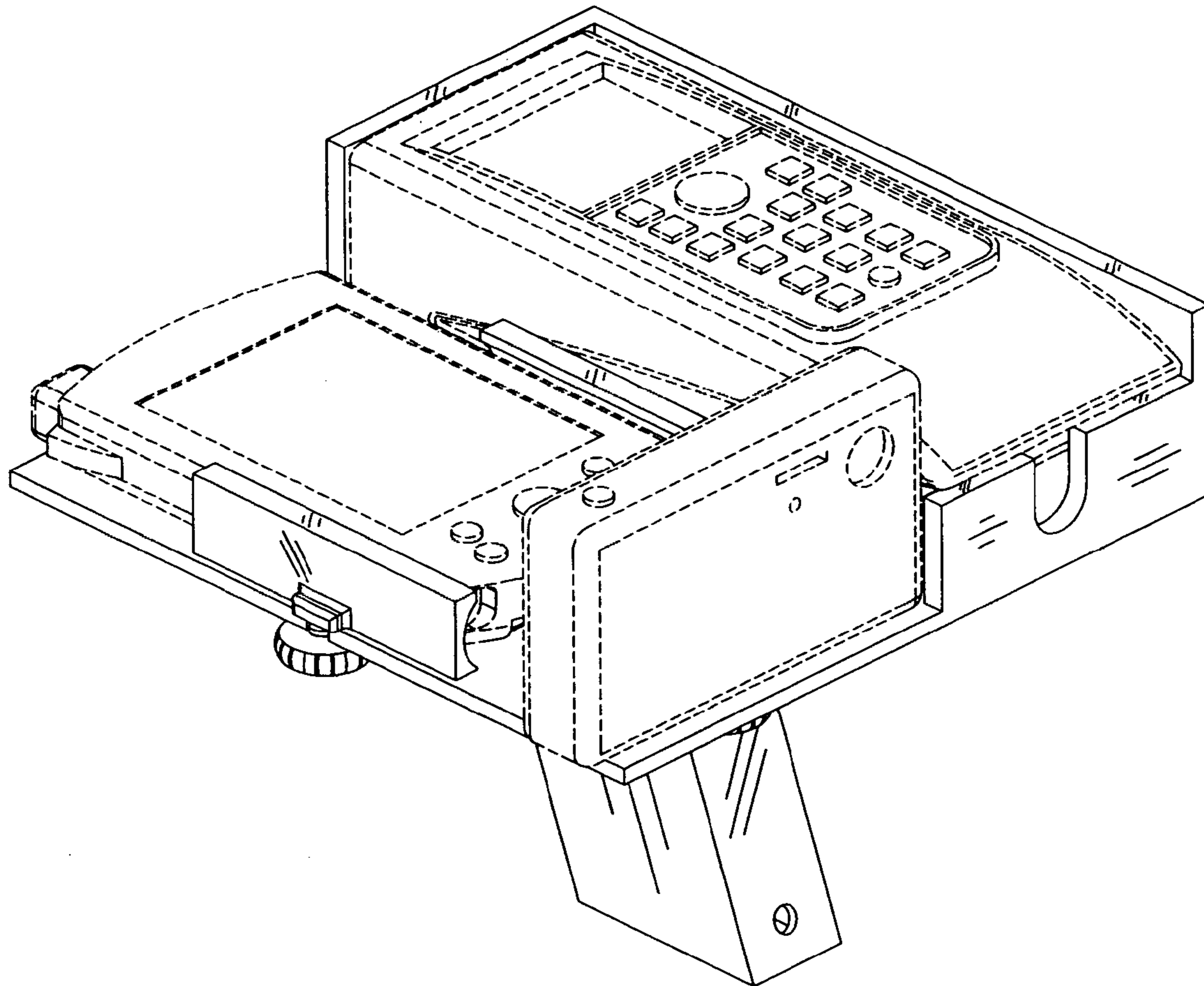


Fig. 14

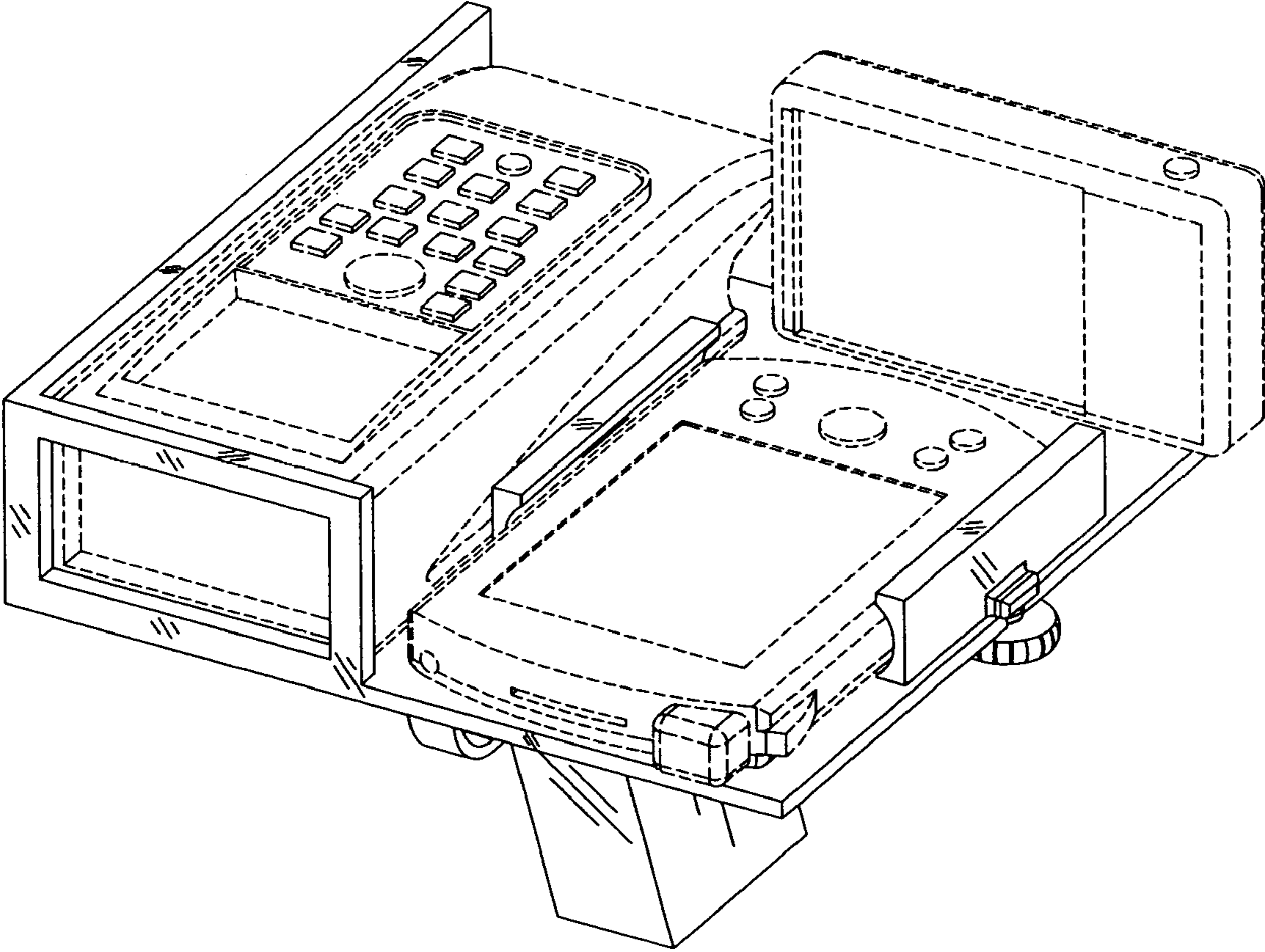


Fig. 15

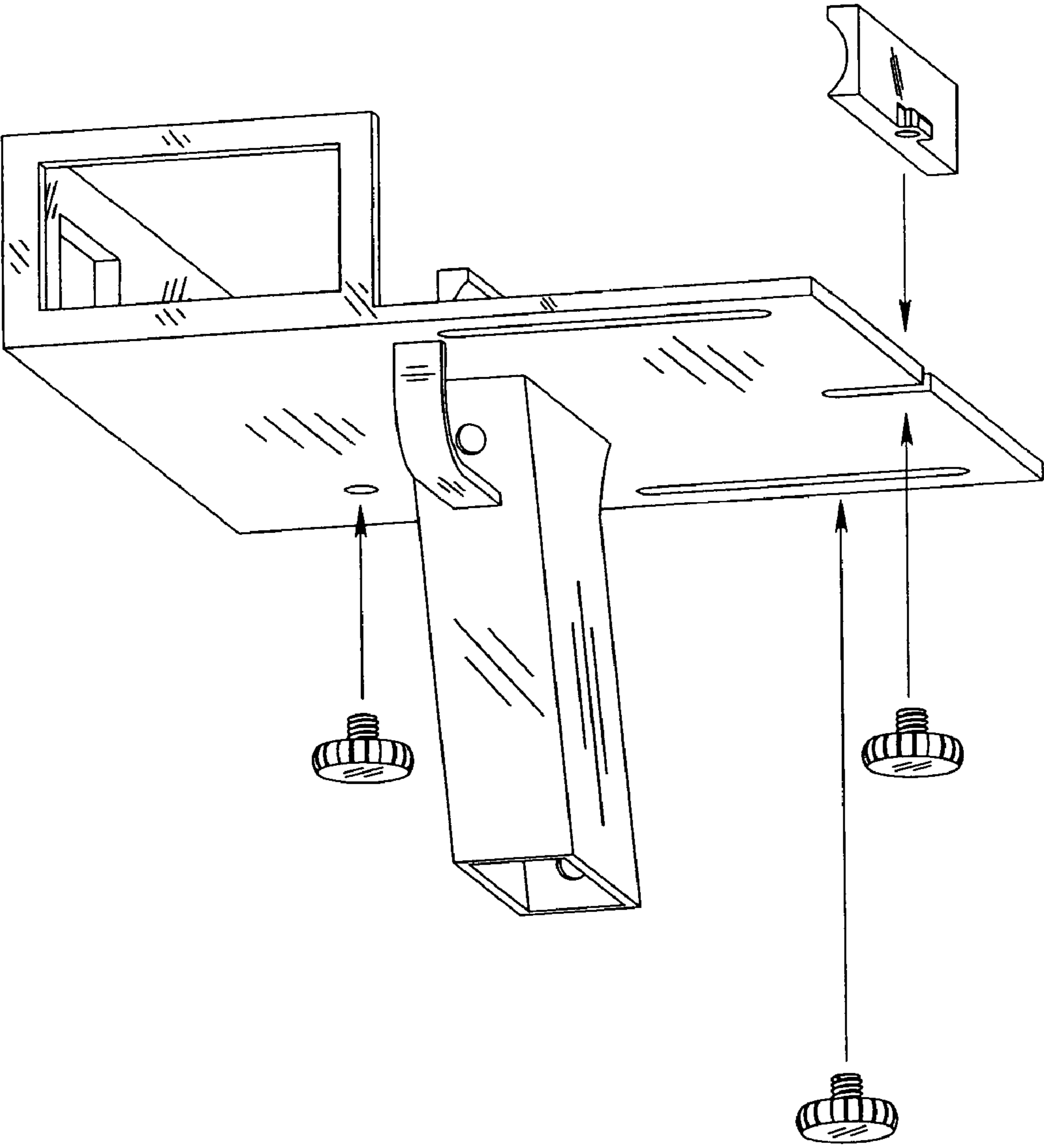


Fig. 16

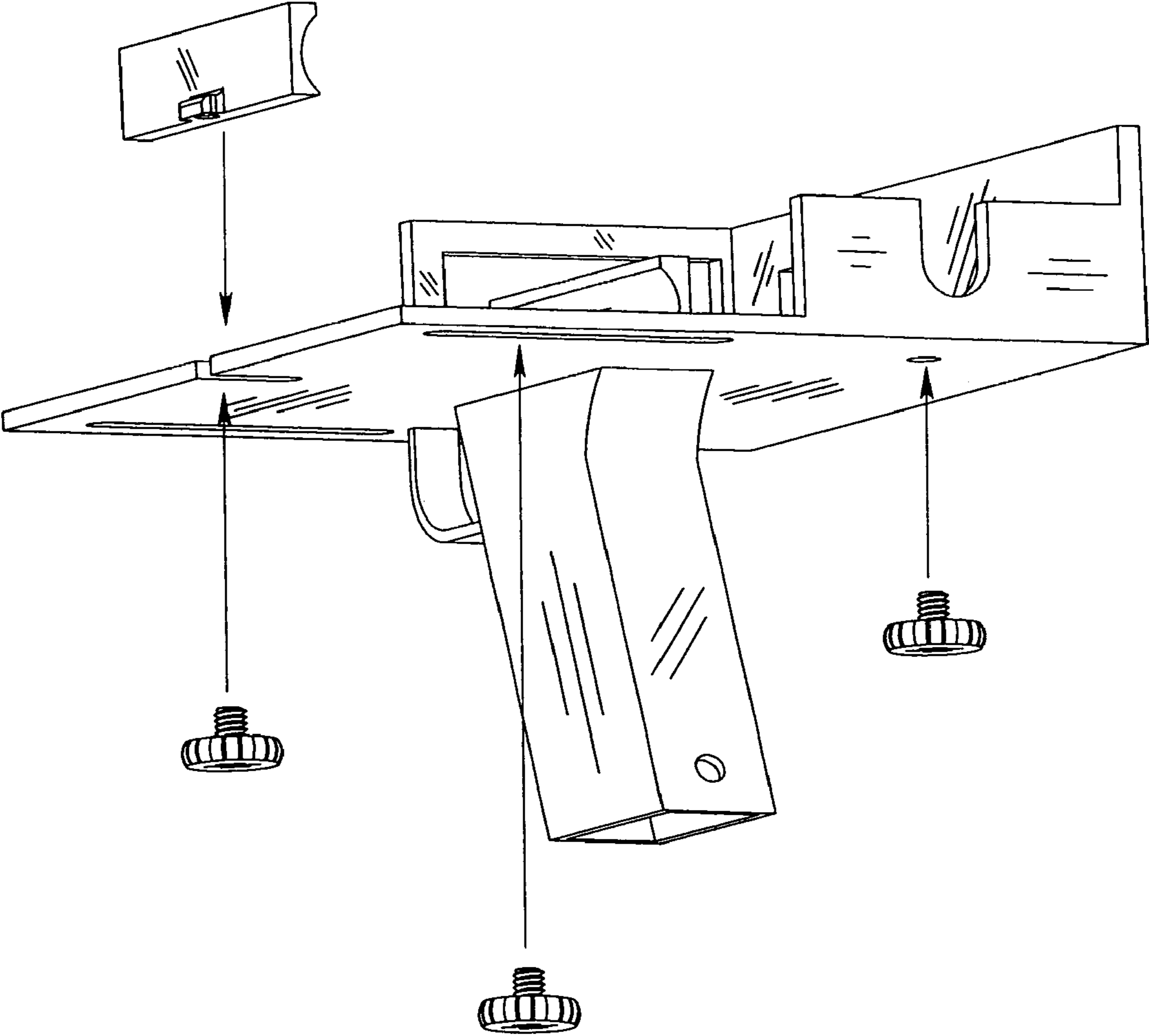


Fig. 17

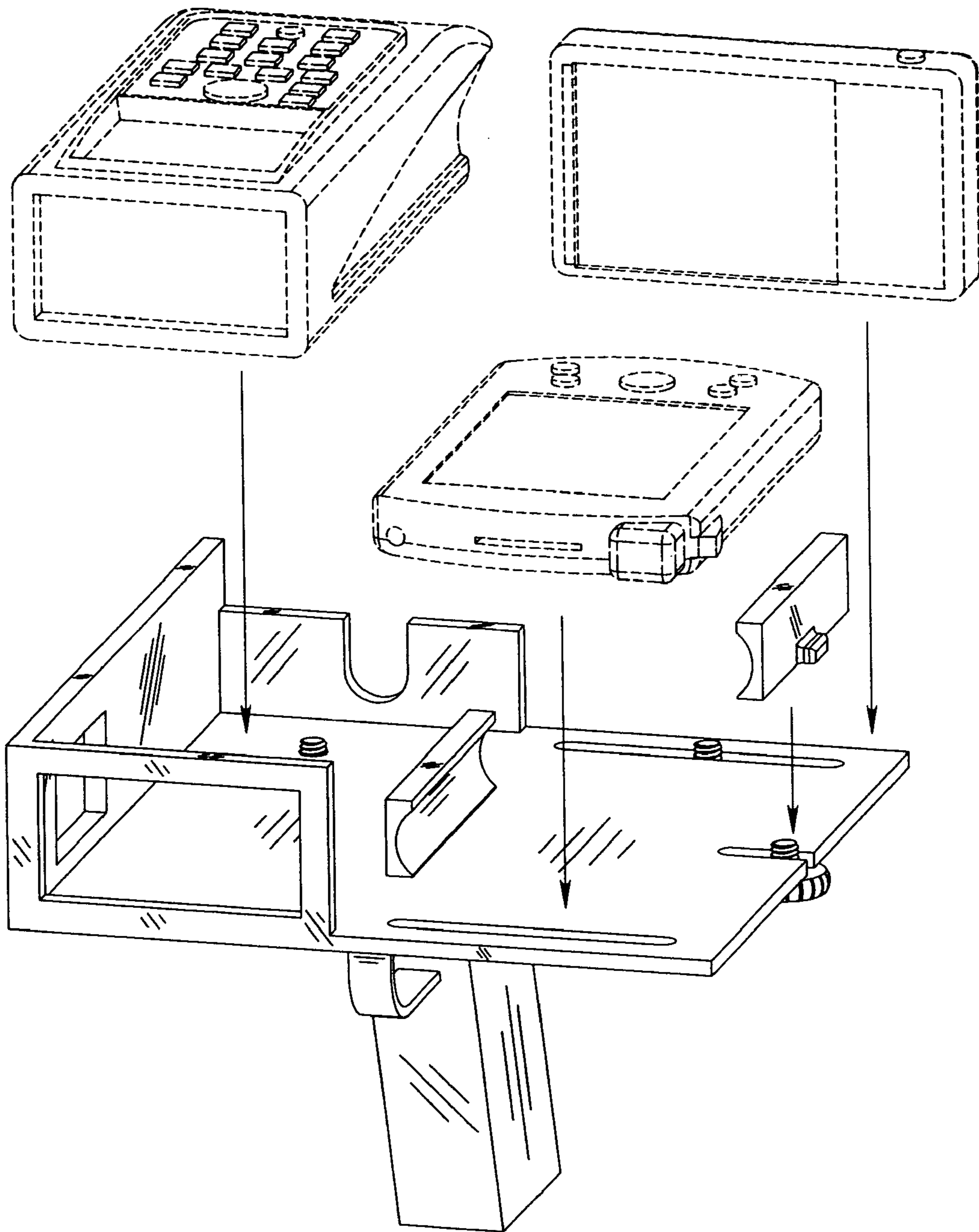


Fig. 18

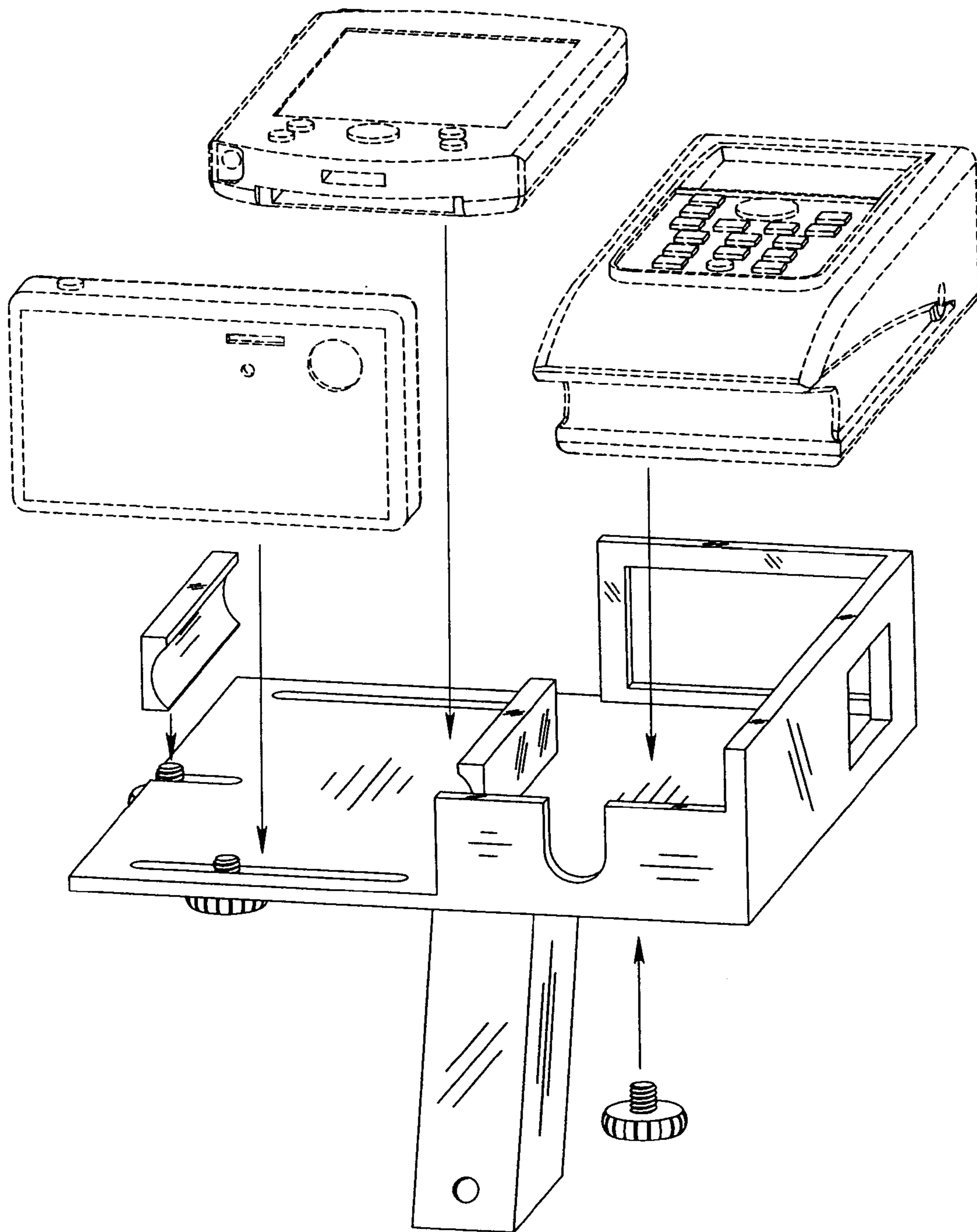


Fig. 19

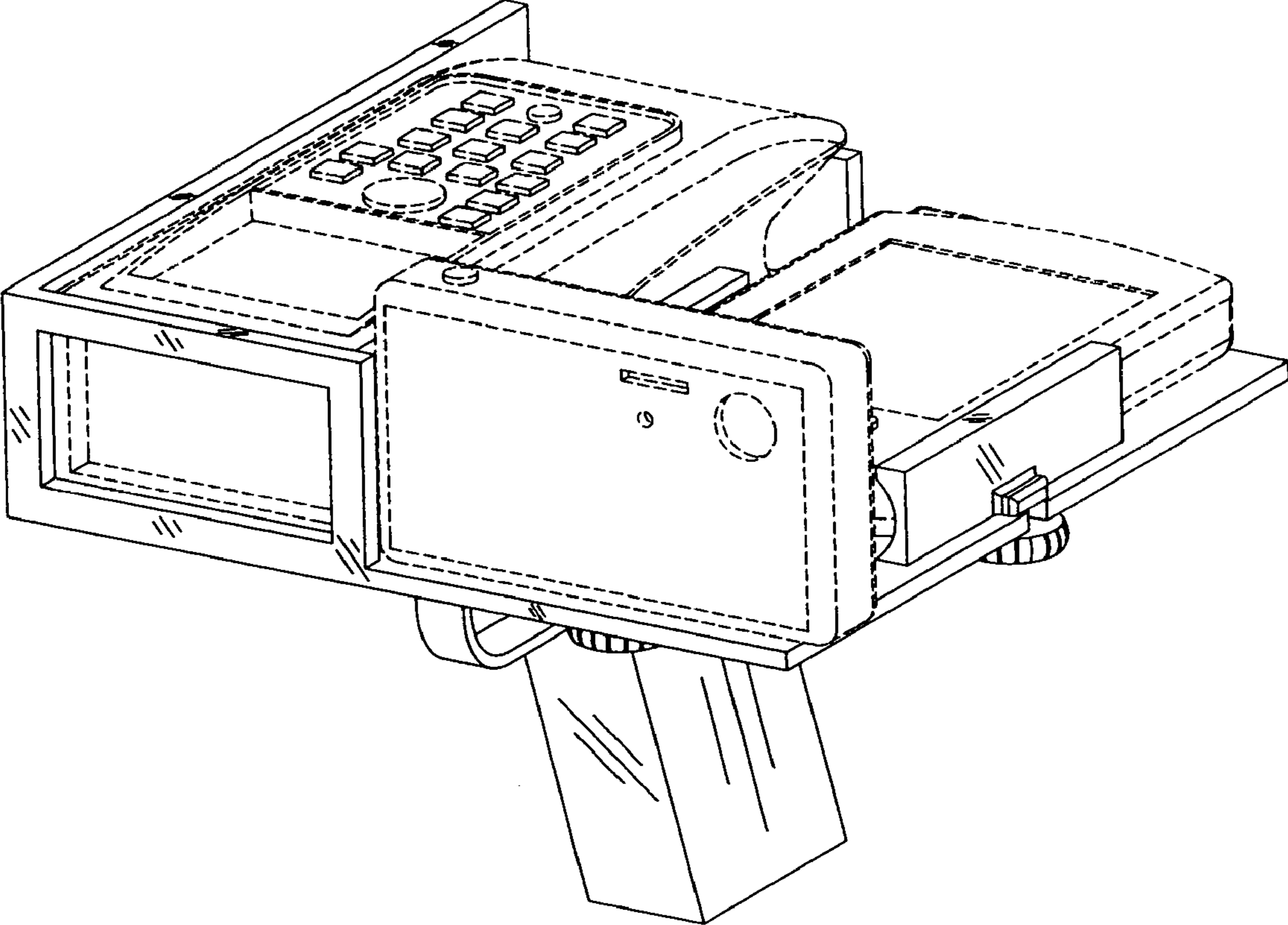


Fig. 20

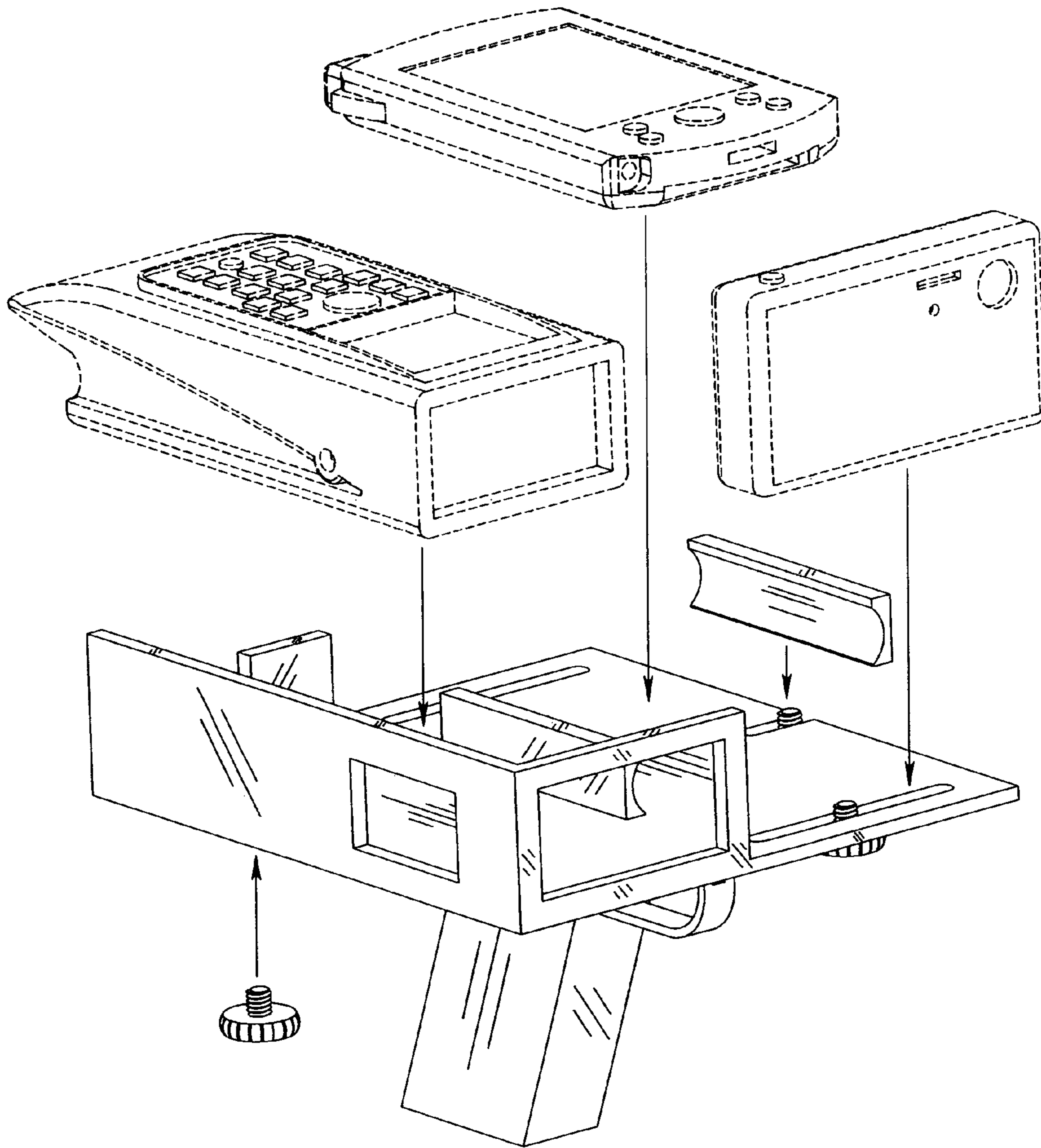


Fig. 21