



US00D583137S

(12) **United States Design Patent**
Ringholz

(10) **Patent No.:** **US D583,137 S**

(45) **Date of Patent:** **** Dec. 23, 2008**

(54) **FOOTWEAR OUTSOLE**

(75) Inventor: **Ryan Ringholz**, Mill Valley, CA (US)

(73) Assignee: **Deckers Outdoor Corporation**, Goleta, CA (US)

(**) Term: **14 Years**

(21) Appl. No.: **29/293,551**

(22) Filed: **Nov. 30, 2007**

(51) **LOC (8) Cl.** **02-04**

(52) **U.S. Cl.** **D2/953; D2/947; D2/952**

(58) **Field of Classification Search** D2/902,
D2/916, 947, 951, 952, 953, 954, 956, 957,
D2/958, 960; 36/103, 22 R, 25 R, 32 R
See application file for complete search history.

(56) **References Cited**

U.S. PATENT DOCUMENTS

126,823	A *	5/1872	Mills	12/21
1,872,641	A *	8/1932	Capezio	36/8.3
1,962,526	A *	6/1934	Riddell	36/59 R
1,979,391	A *	11/1934	Laybolt	36/32 R
1,988,281	A *	1/1935	Maccarone	12/146 BP
D151,043	S *	9/1948	Hubbard	D2/951
D257,699	S *	12/1980	Famolare, Jr.	D2/947
D257,700	S *	12/1980	Famolare, Jr.	D2/951
D262,159	S *	12/1981	Bartneck	D2/951
4,316,335	A *	2/1982	Giese et al.	36/129
D265,017	S *	6/1982	Vermonet	D2/953
D267,288	S *	12/1982	Davis	D2/951
D296,608	S *	7/1988	Maciel	D2/916
5,287,638	A *	2/1994	Preston	36/28
D388,593	S *	1/1998	Ferro	D2/947
D390,345	S *	2/1998	Aird et al.	D2/947
D395,336	S *	6/1998	Ball	D2/947
D404,549	S *	1/1999	Greenberg	D2/956
D418,281	S *	1/2000	Bray et al.	D2/919
D426,947	S *	6/2000	Pollastrelli	D2/956
D429,063	S *	8/2000	Rose	D2/961

D429,408	S *	8/2000	Gillespie	D2/951
D449,156	S *	10/2001	McClaskie	D2/960
D449,429	S *	10/2001	McClaskie	D2/960
D458,740	S *	6/2002	McClaskie	D2/957
D480,202	S *	10/2003	Schroeder et al.	D2/947

(Continued)

OTHER PUBLICATIONS

UGG Australia, Fall/Winter 1999, Byron, p. 12.
UGG Australia, Fall/Winter 1999, Roo, p. 16.

Primary Examiner—Celia A Murphy

(74) *Attorney, Agent, or Firm*—Greer, Burns & Crain, Ltd.

(57) **CLAIM**

The ornamental design for a footwear outsole, as shown and described.

DESCRIPTION

FIG. 1 is a front left perspective view of a footwear outsole showing my new design;

FIG. 2 is a left side elevational view thereof;

FIG. 3 is a right side elevational view thereof;

FIG. 4 is a front elevational view thereof;

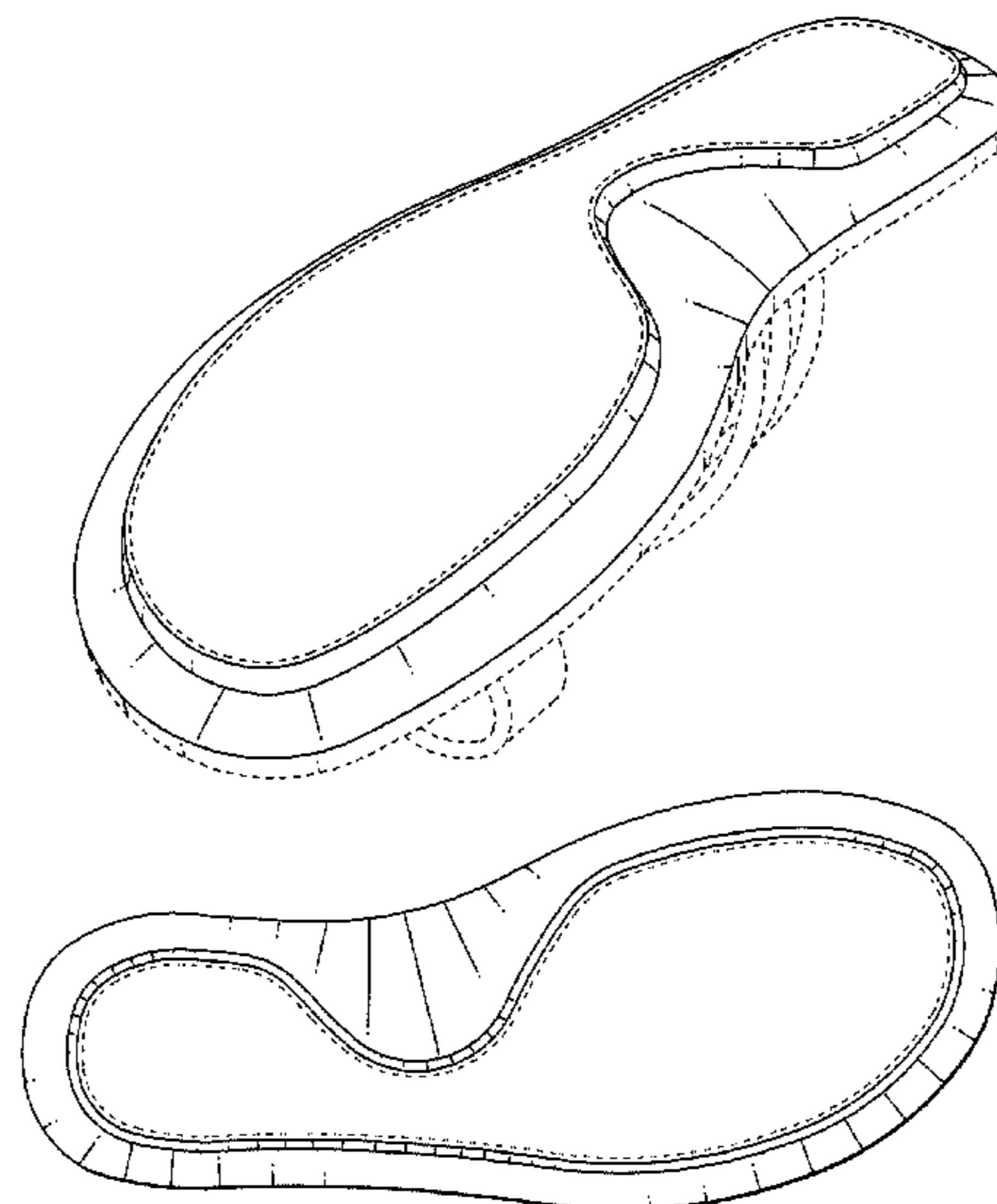
FIG. 5 is a rear elevational view thereof;

FIG. 6 is a top plan view thereof; and,

FIG. 7 is a bottom plan view thereof.

The broken lines forming the shoe upper in FIGS. 1–6 represent the portion of the design that forms no part of the claim. The broken lines immediately adjacent to the shaded portions around the outer periphery define the boundaries of the design, with the lines themselves forming no part of the claim. Further, the broken lines on the surface of the sole in FIGS. 1, 4, 5, and 7 define the interior boundaries of the design, with neither the lines themselves nor the area within them forming any part of the claim.

1 Claim, 3 Drawing Sheets



US D583,137 S

Page 2

U.S. PATENT DOCUMENTS

D485,972 S *	2/2004	Magro	D2/916	D517,291 S *	3/2006	Vasyli	D2/961
D489,166 S *	5/2004	McClaskie	D2/953	D528,749 S *	9/2006	Harper	D2/919
D492,096 S *	6/2004	Sanchez et al.	D2/896	D545,034 S *	6/2007	Amado et al.	D2/946
D498,902 S *	11/2004	Adams	D2/951	D545,532 S *	7/2007	Sawtelle et al.	D2/947
D501,293 S *	2/2005	Bizzo	D2/949	D554,836 S *	11/2007	Shaffer	D2/951
D503,521 S *	4/2005	Bizzo	D2/949	D561,435 S *	2/2008	McClaskie	D2/956
D503,847 S *	4/2005	Bizzo	D2/949	D563,083 S *	3/2008	Corbi Rico	D2/947
D513,358 S *	1/2006	Amado et al.	D2/961	D576,394 S *	9/2008	Heller	D2/951
D513,841 S *	1/2006	Corbi Rico	D2/956				

* cited by examiner

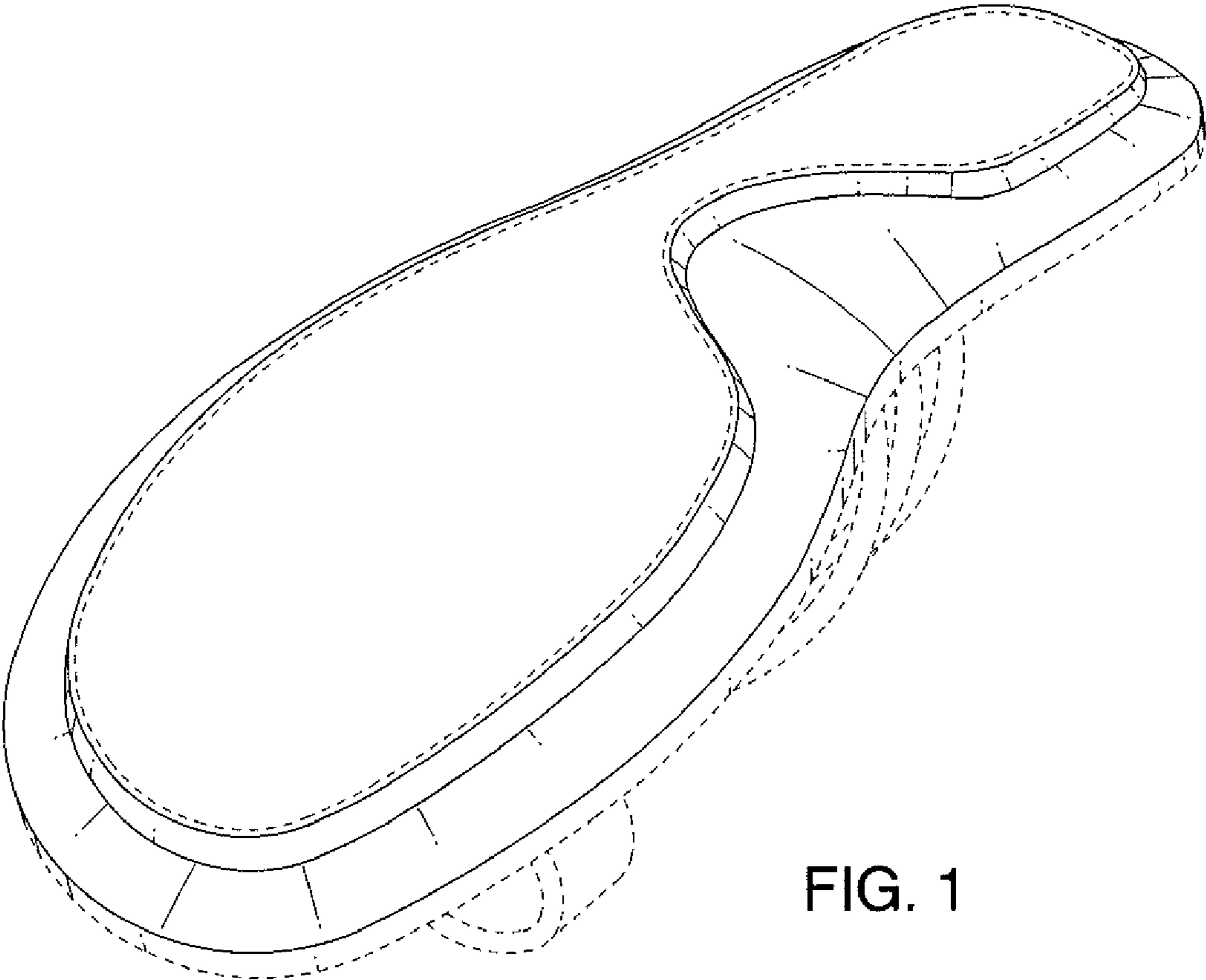


FIG. 1

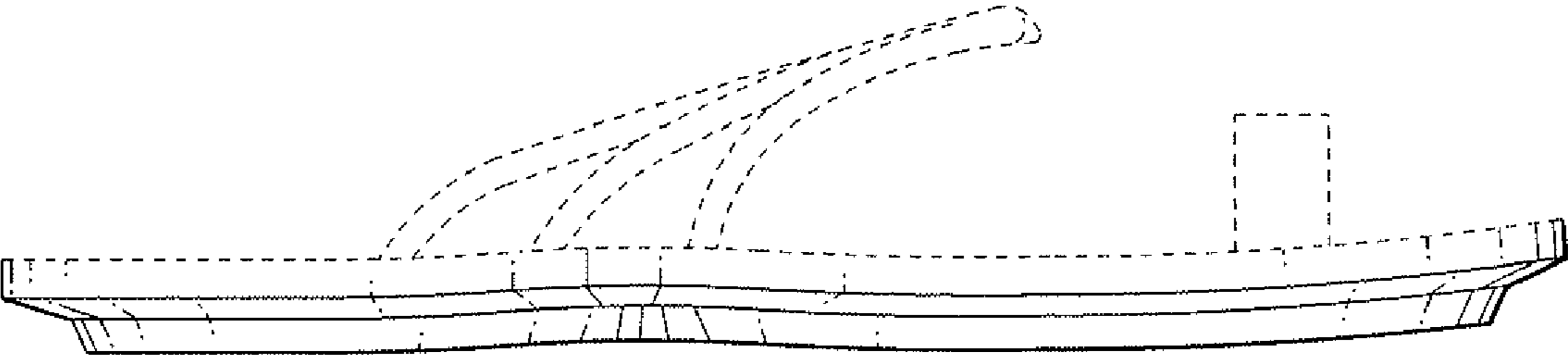


FIG. 2

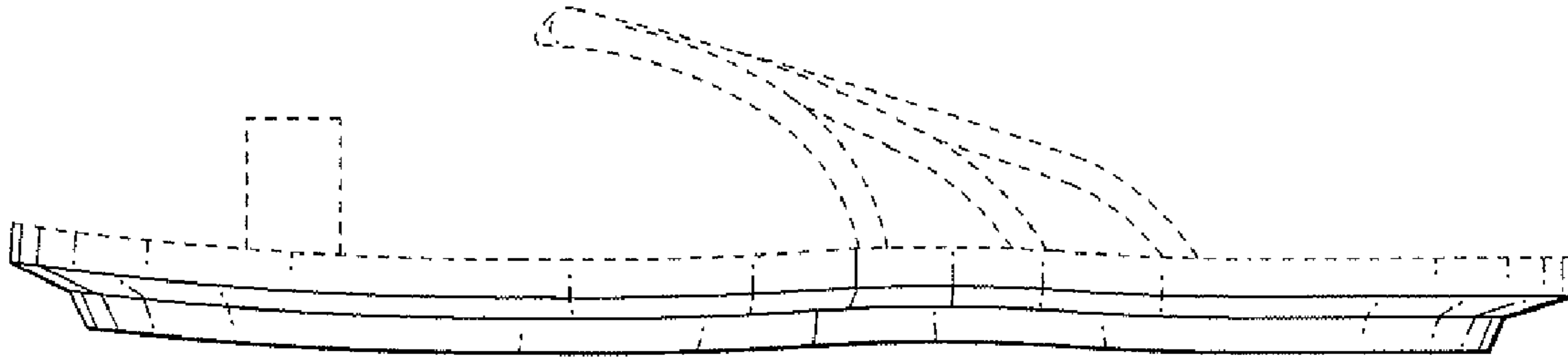


FIG. 3

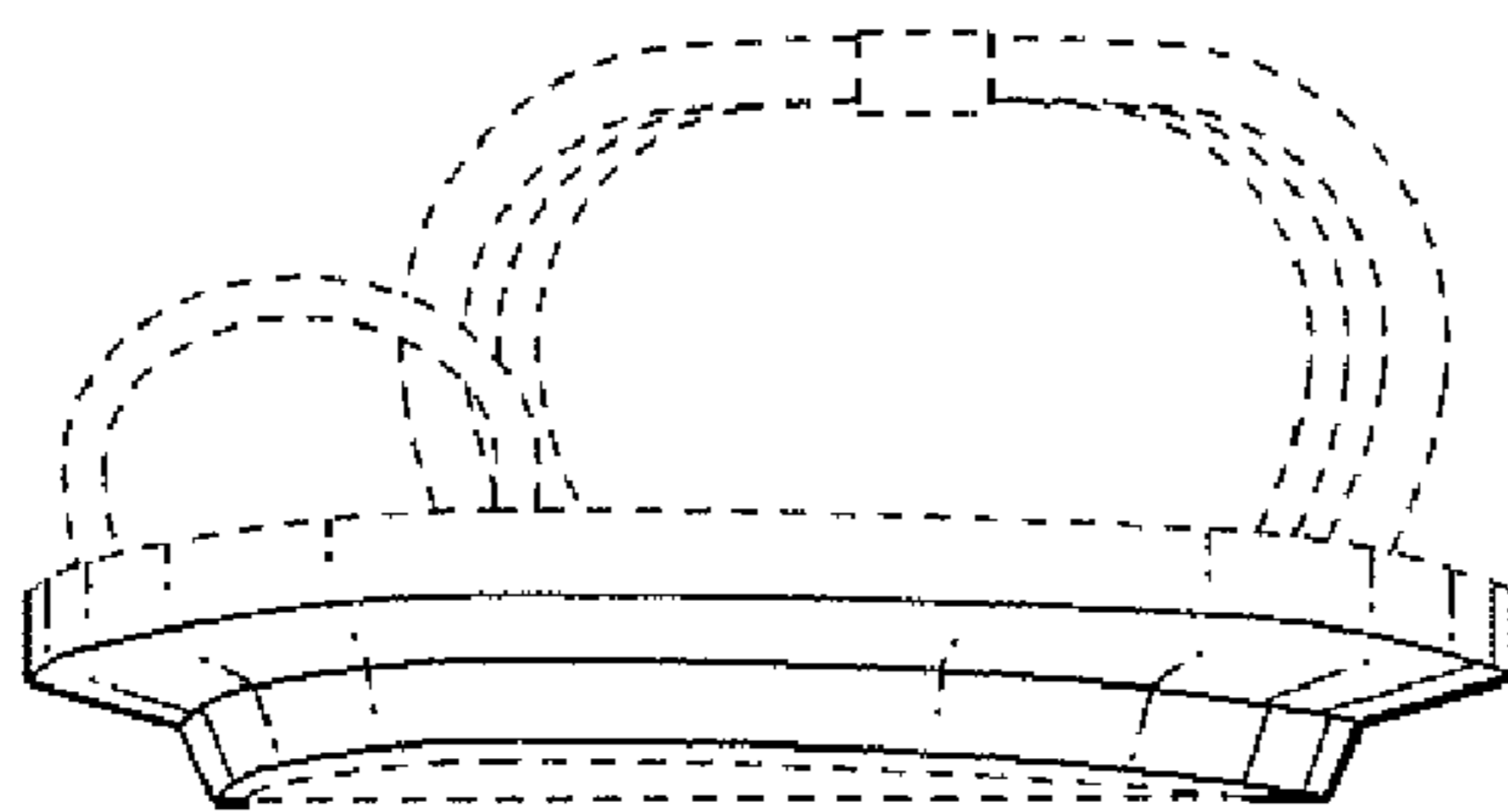


FIG. 4

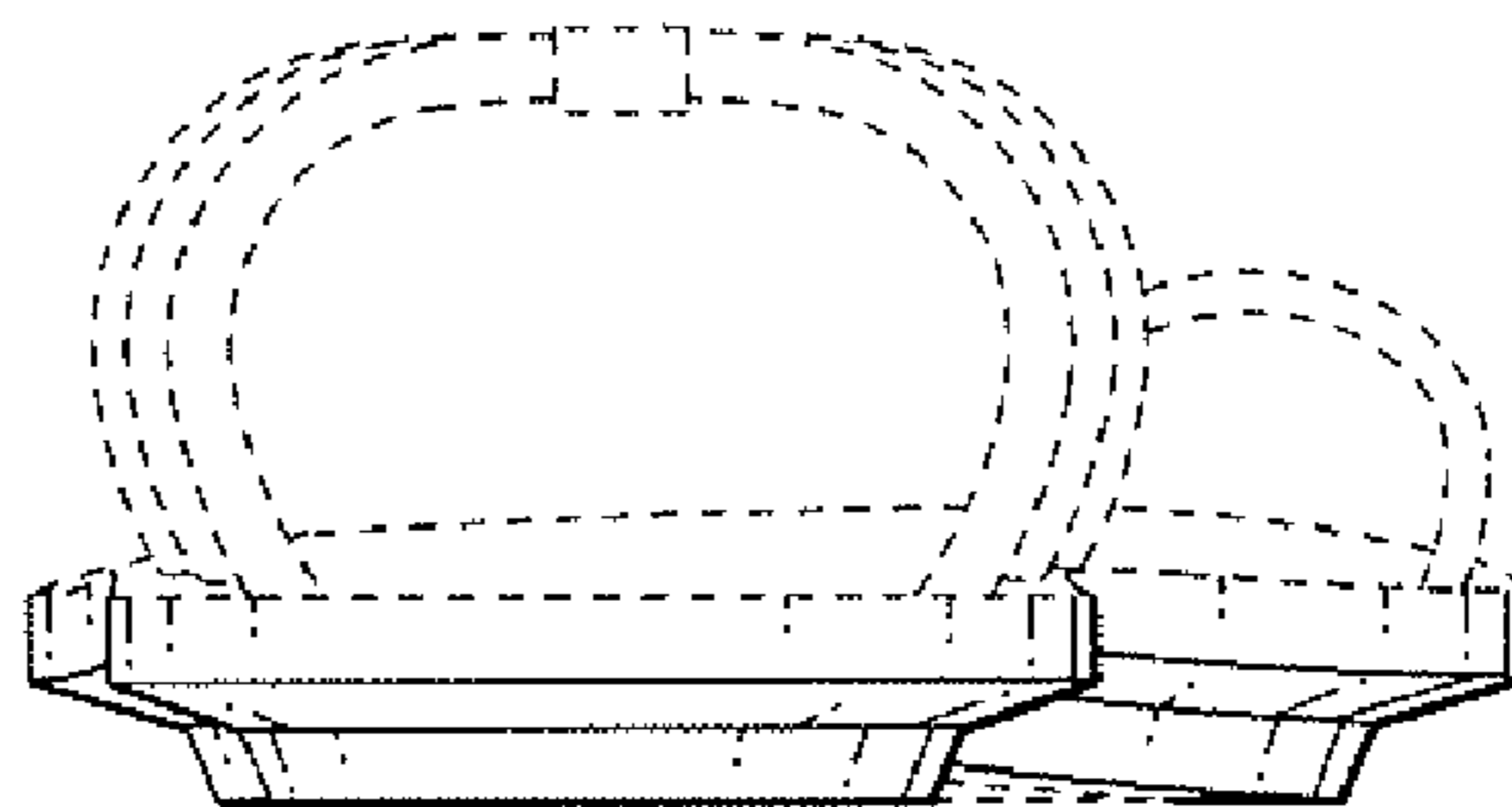


FIG. 5

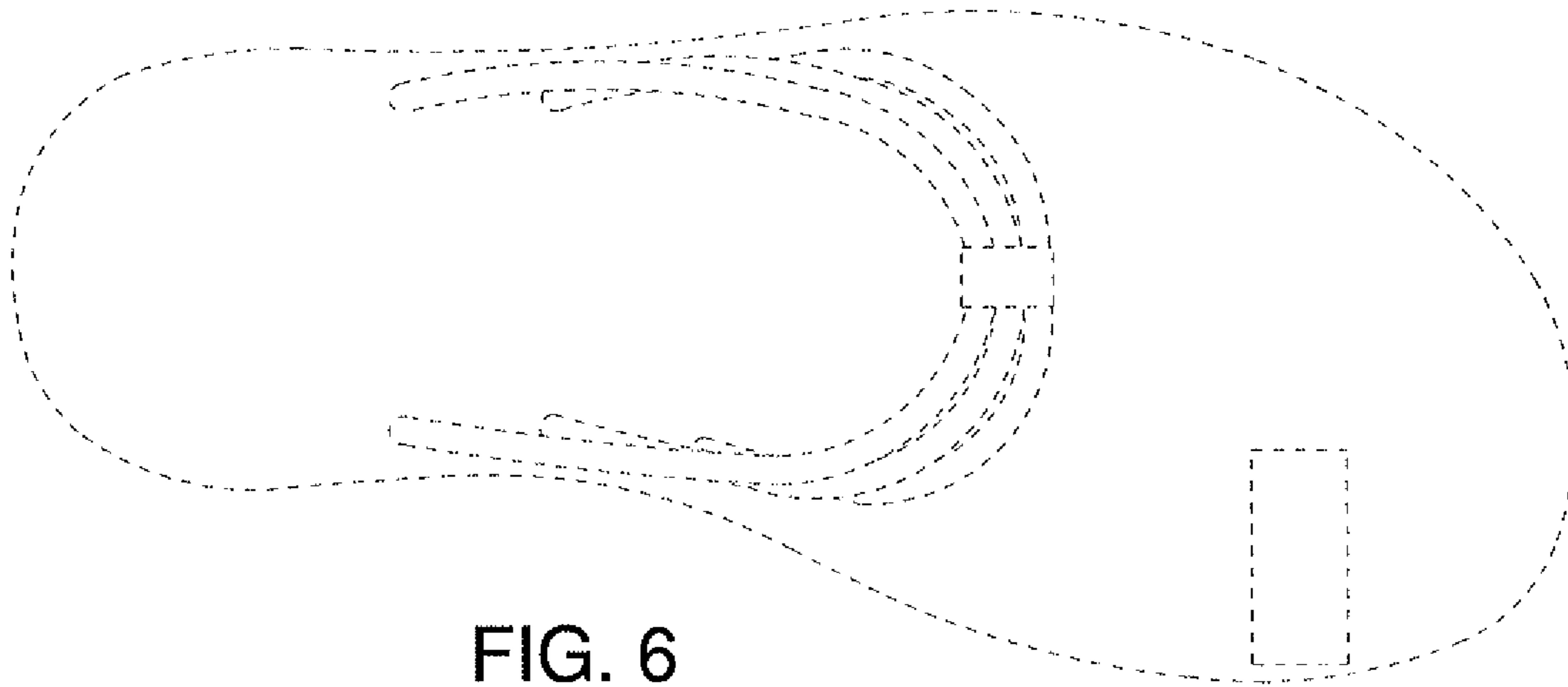


FIG. 6

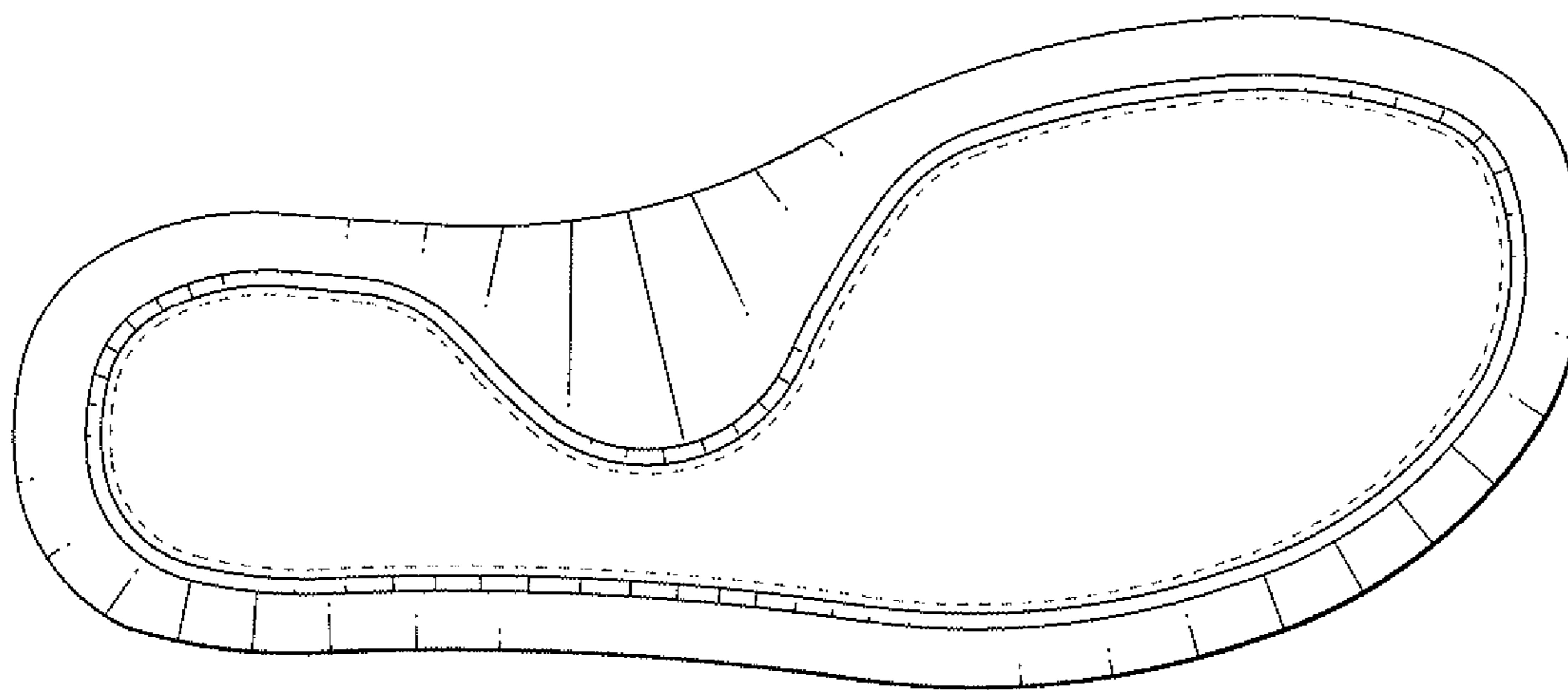


FIG. 7