



US00D583131S

(12) **United States Design Patent**
Miller

(10) **Patent No.:** **US D583,131 S**

(45) **Date of Patent:** **** Dec. 23, 2008**

(54) **AIRPLANE SHAPED SLIPPER**

(75) Inventor: **Jon Douglas Miller**, Parma, OH (US)

(73) Assignee: **Jon Miller**, Parma, OH (US)

(**) Term: **14 Years**

(21) Appl. No.: **29/318,581**

(22) Filed: **May 22, 2008**

(51) **LOC (8) Cl.** **02-04**

(52) **U.S. Cl.** **D2/898**

(58) **Field of Classification Search** D2/896,
D2/898, 900, 903, 919-923, 943, 952, 969;
36/45, 11.5, 8.1, 77 M, 77 R, 83, 7
See application file for complete search history.

(56) **References Cited**

U.S. PATENT DOCUMENTS

D178,503 S * 8/1956 Doherty D2/898
D258,698 S * 3/1981 Cohen D2/898
D283,462 S * 4/1986 Whitman D2/898

D446,910 S * 8/2001 Blanco D2/898
D452,604 S * 1/2002 Blanco D2/898

* cited by examiner

Primary Examiner—Stella M Reid
Assistant Examiner—Rsahida C McCoy

(57) **CLAIM**

The ornamental design for a airplane shaped slipper, as shown and described.

DESCRIPTION

FIG. 1 is a perspective view of a airplane shaped slipper, showing my new design;

FIG. 2 is a front elevational view of the invention;

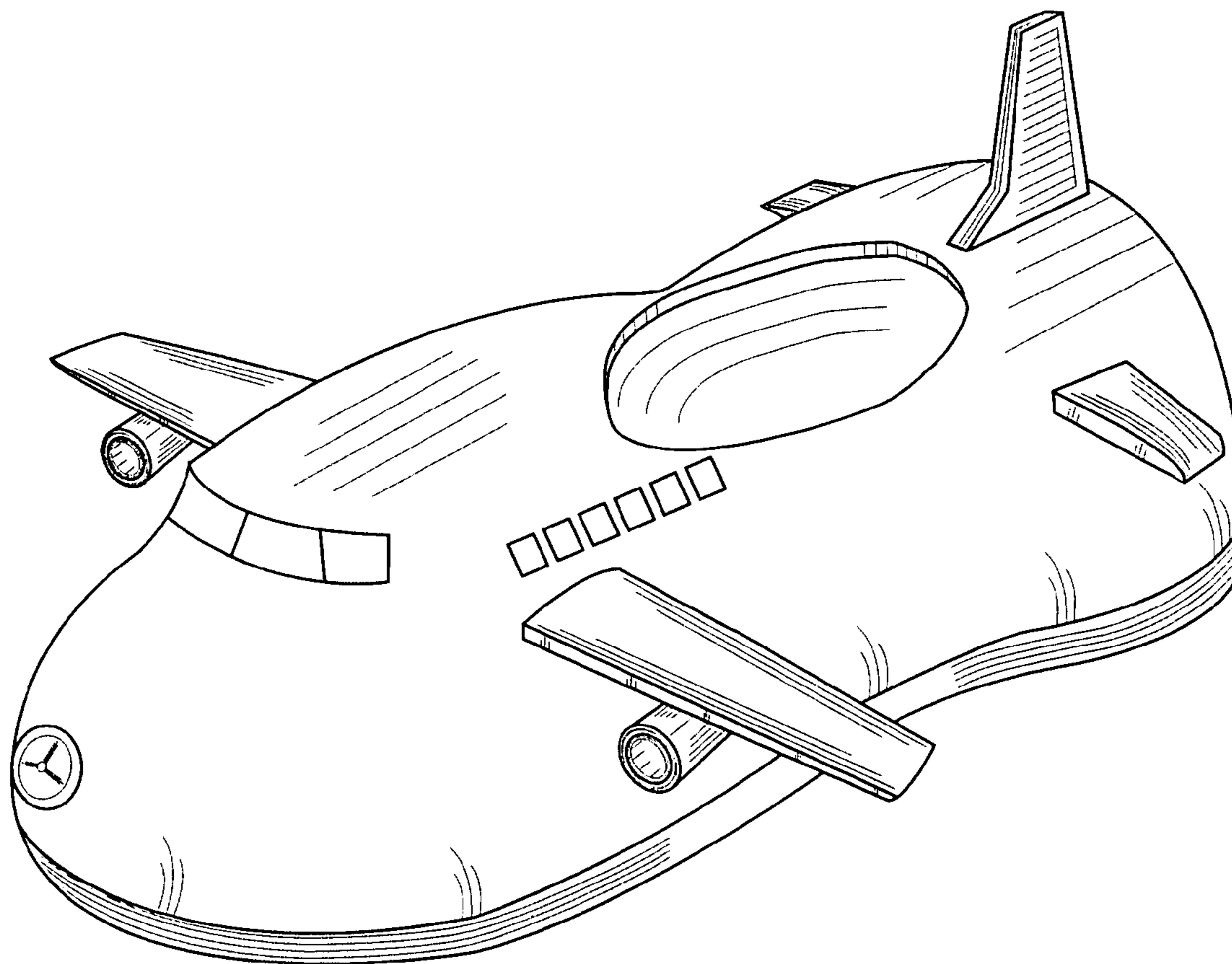
FIG. 3 is a rear elevational view of the invention;

FIG. 4 is a left-side elevational view of the invention, the right-side elevational view being a mirror image thereof;

FIG. 5 is a top plan view of the invention; and,

FIG. 6 is a bottom plan view of the invention.

1 Claim, 6 Drawing Sheets



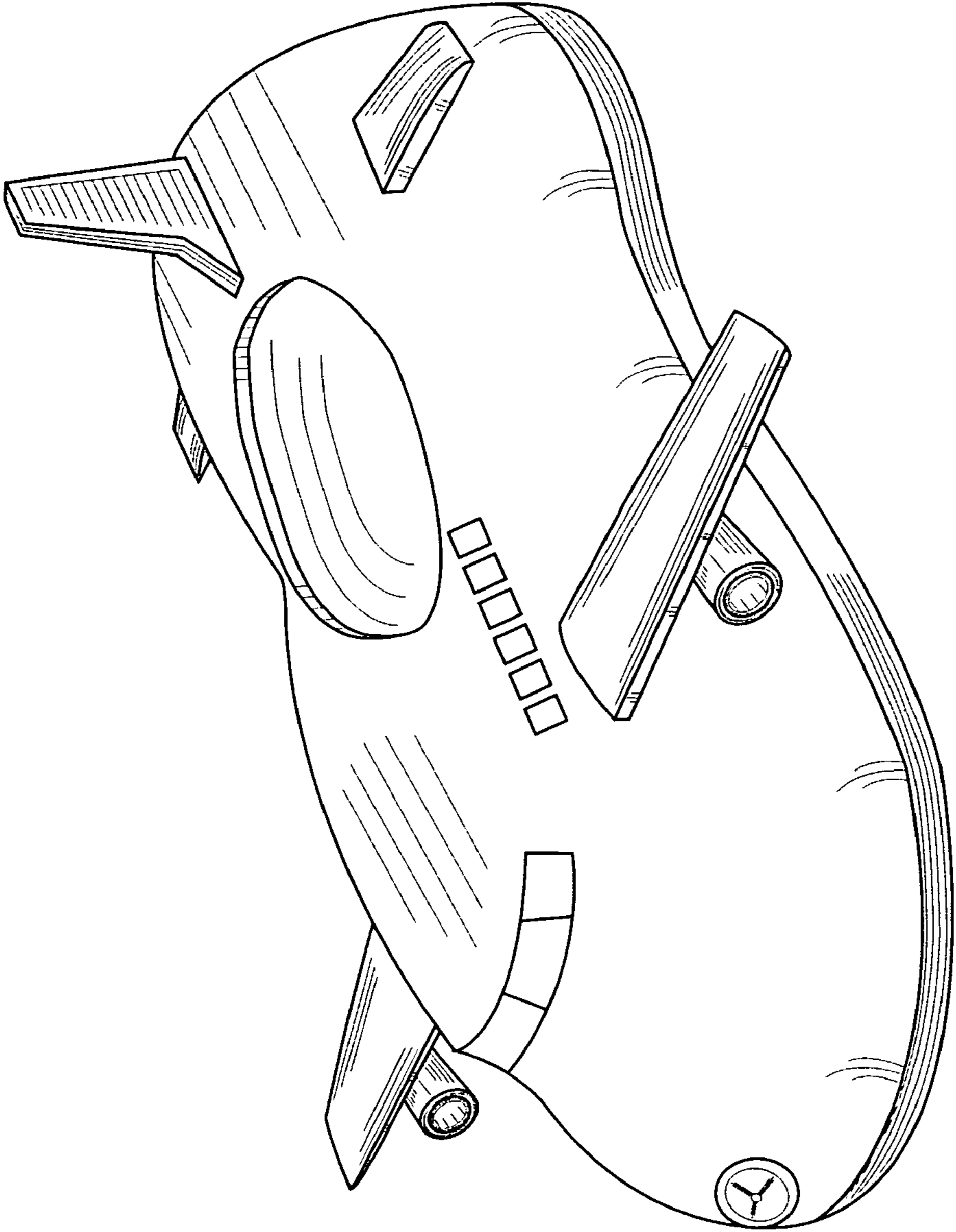


FIG. 1

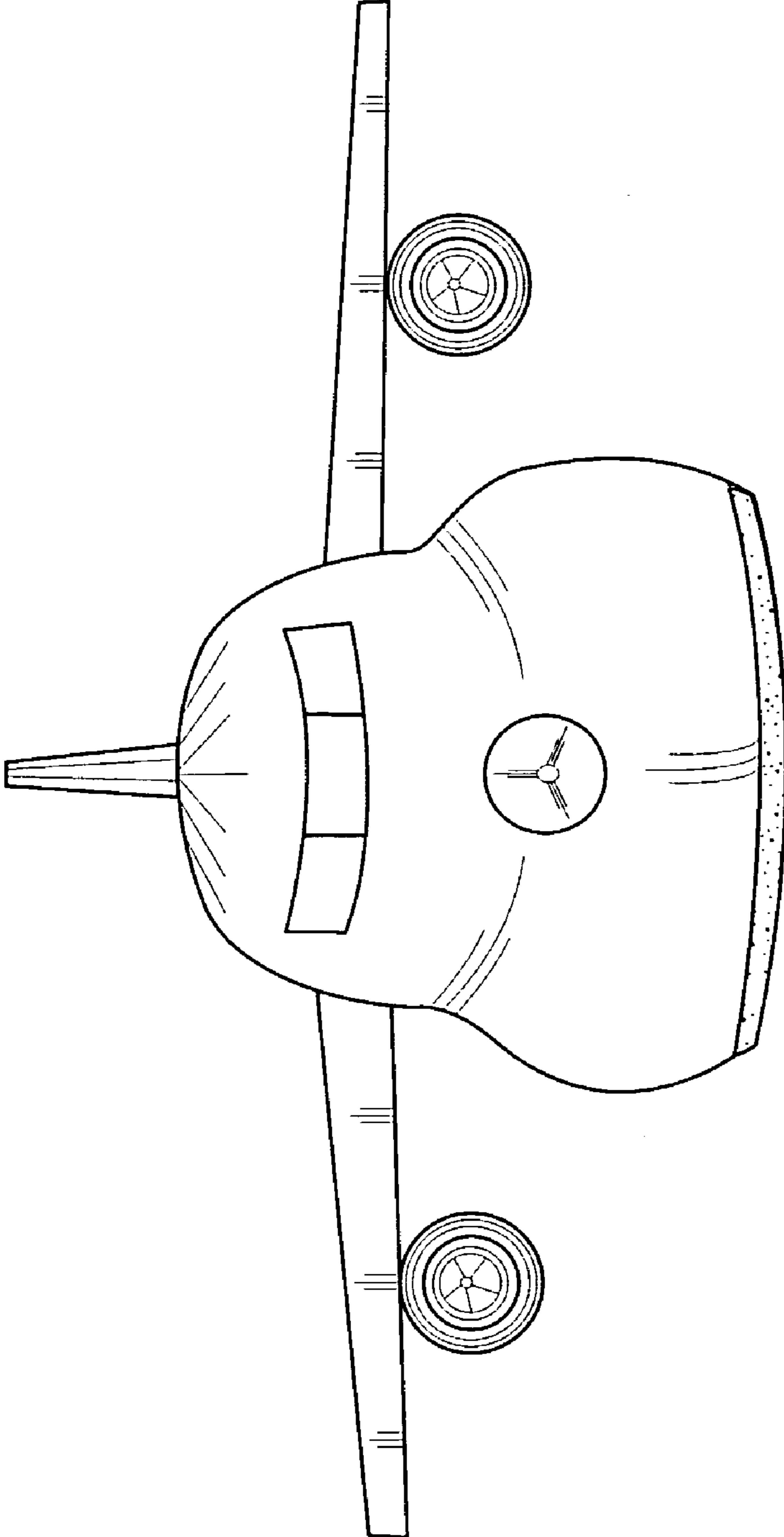


FIG. 2

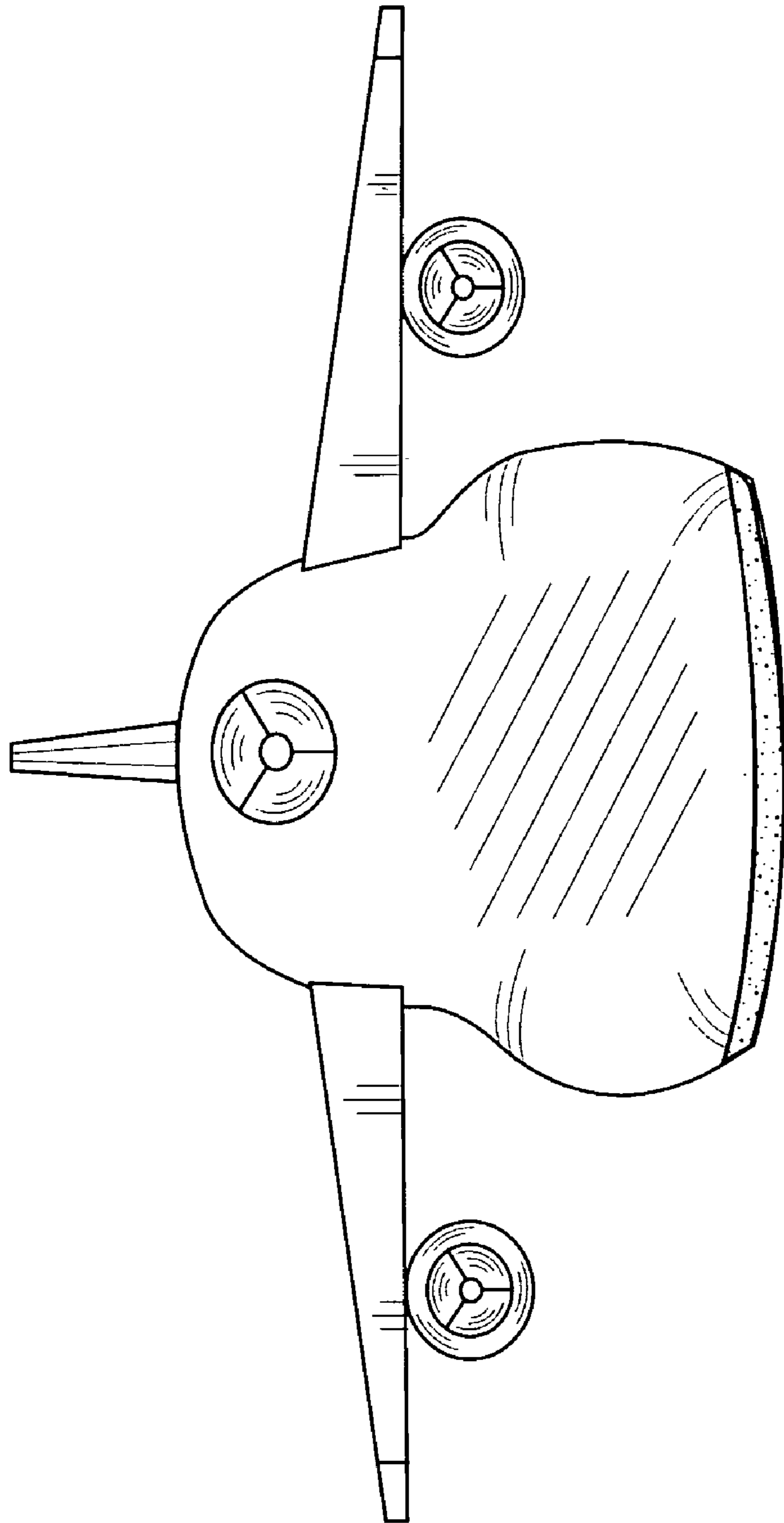


FIG. 3

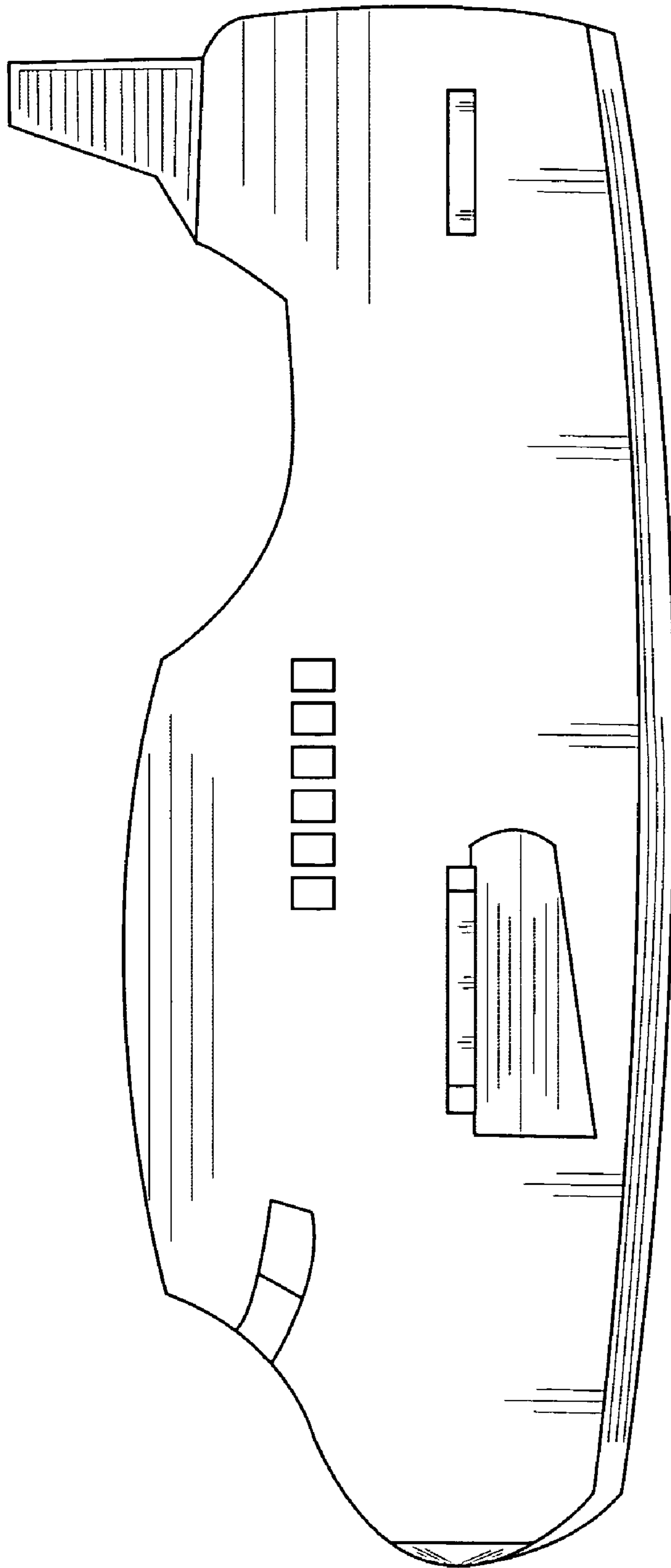


FIG. 4

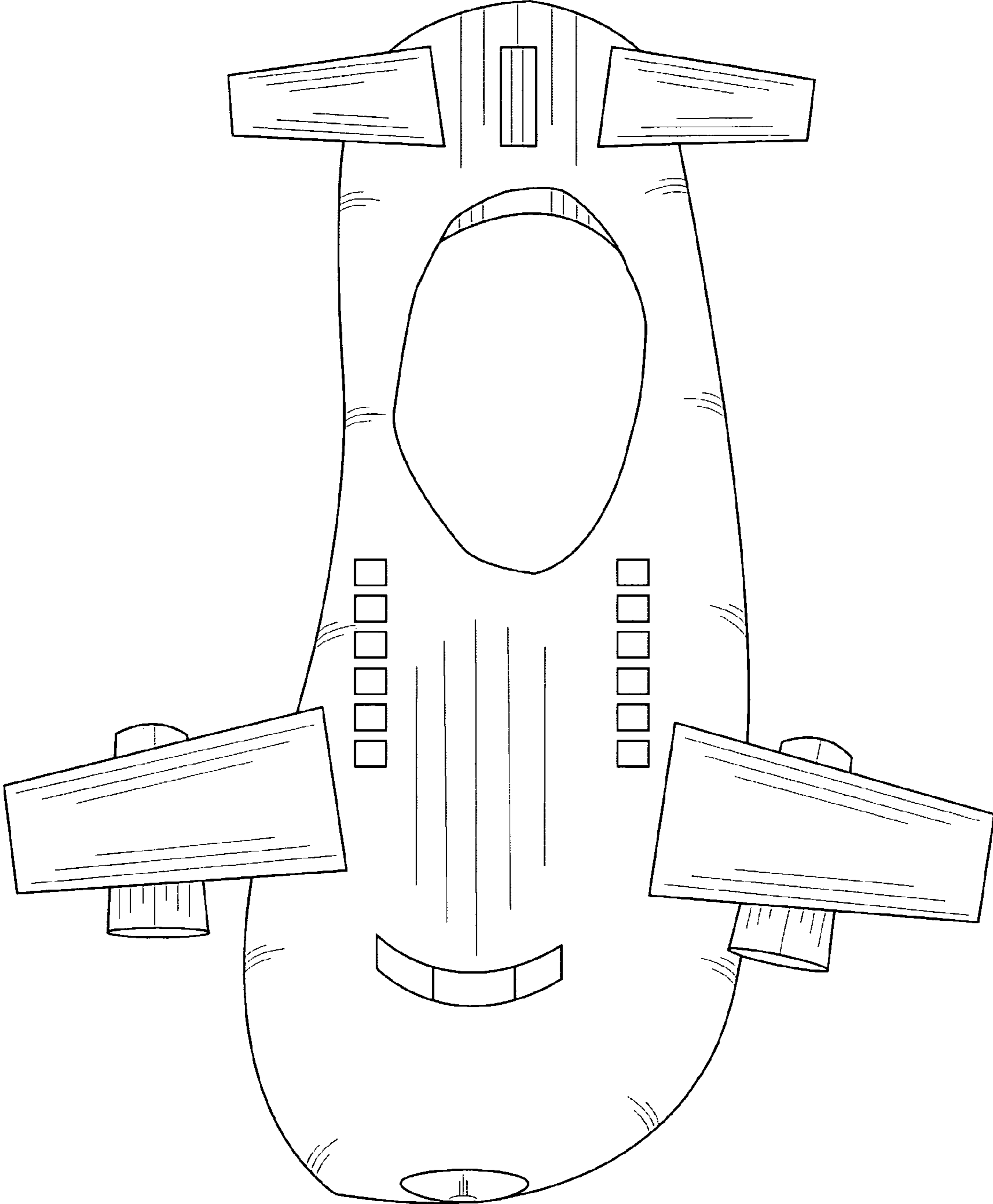


FIG. 5

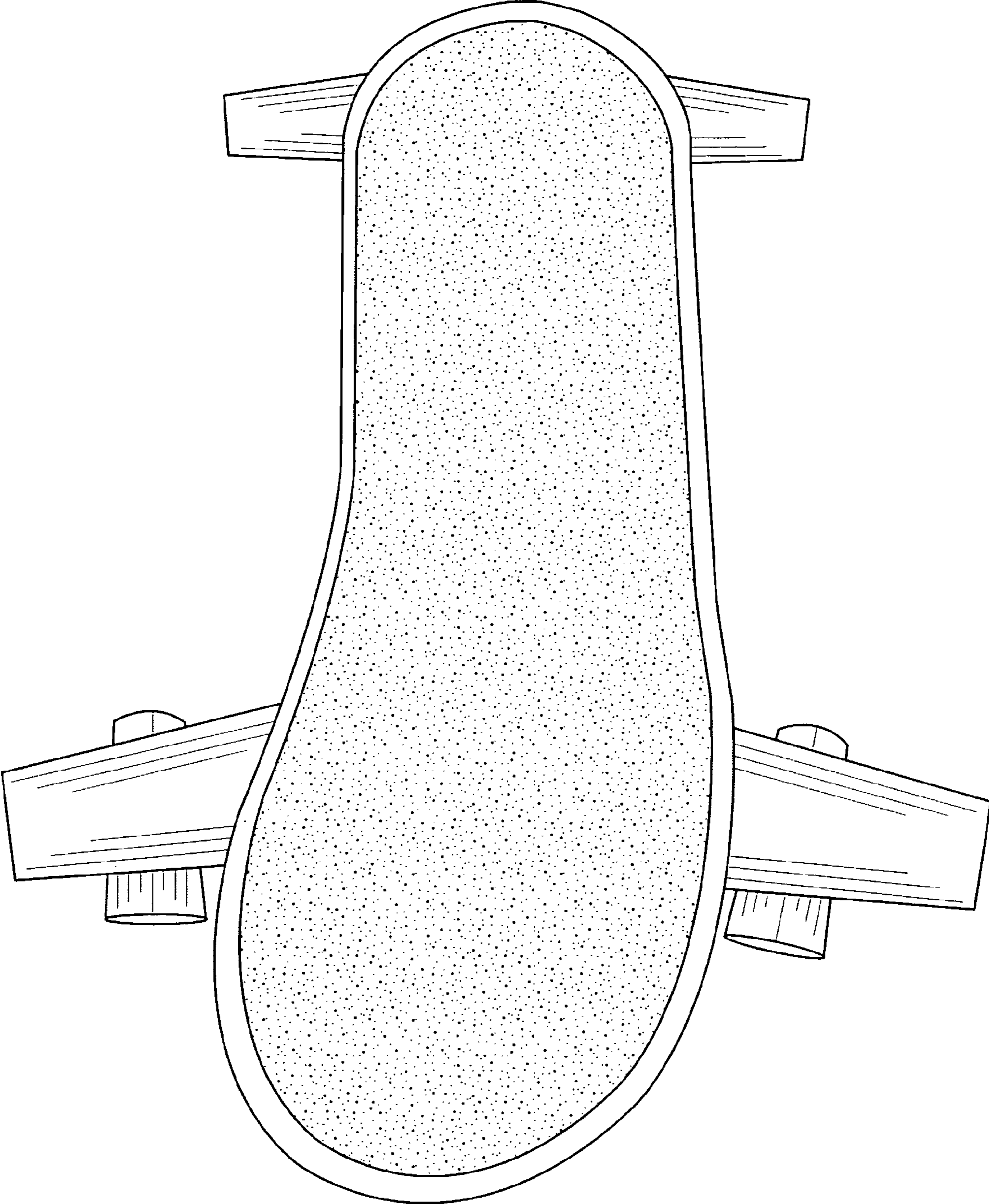


FIG. 6