



US00D583124S

(12) **United States Design Patent**  
**Stark**

(10) **Patent No.:** **US D583,124 S**

(45) **Date of Patent:** **\*\* Dec. 16, 2008**

(54) **FORKLIFT**

(75) Inventor: **Stefan Stark**, Ludwigsburg (DE)

(73) Assignee: **Dr. Ing. h.c. F. Porsche AG**, Weissach (DE)

(\*\*) Term: **14 Years**

(21) Appl. No.: **29/298,958**

(22) Filed: **Dec. 17, 2007**

(30) **Foreign Application Priority Data**

Jun. 15, 2007 (EP) ..... 740402

(51) **LOC (8) Cl.** ..... **12-05**

(52) **U.S. Cl.** ..... **D34/34**

(58) **Field of Classification Search** ..... D34/28,  
D34/34; 180/89.12, 299, 325, 43.12; 187/222,  
187/224

See application file for complete search history.

(56) **References Cited**

**U.S. PATENT DOCUMENTS**

3,243,194 A \* 3/1966 Trusock ..... 280/43.12

D222,670 S \* 11/1971 Goodacre et al. .... D34/34

4,047,698 A \* 9/1977 Ellis ..... 254/2 R  
4,287,959 A \* 9/1981 Inman ..... 180/12  
D348,759 S \* 7/1994 Bhambra ..... D34/34  
6,948,739 B2 \* 9/2005 Gallagher et al. .... 280/770  
D559,498 S \* 1/2008 Ruppert et al. .... D34/34  
2006/0232030 A1 \* 10/2006 Passari ..... 280/43.12

\* cited by examiner

*Primary Examiner*—Cynthia E Ramirez

(57) **CLAIM**

The ornamental design for a forklift, as shown and described.

**DESCRIPTION**

FIG. 1 is a perspective view, from the left-side, of the forklift showing my new design;

FIG. 2 is a perspective view, from the right-side, thereof;

FIG. 3 is a front view thereof;

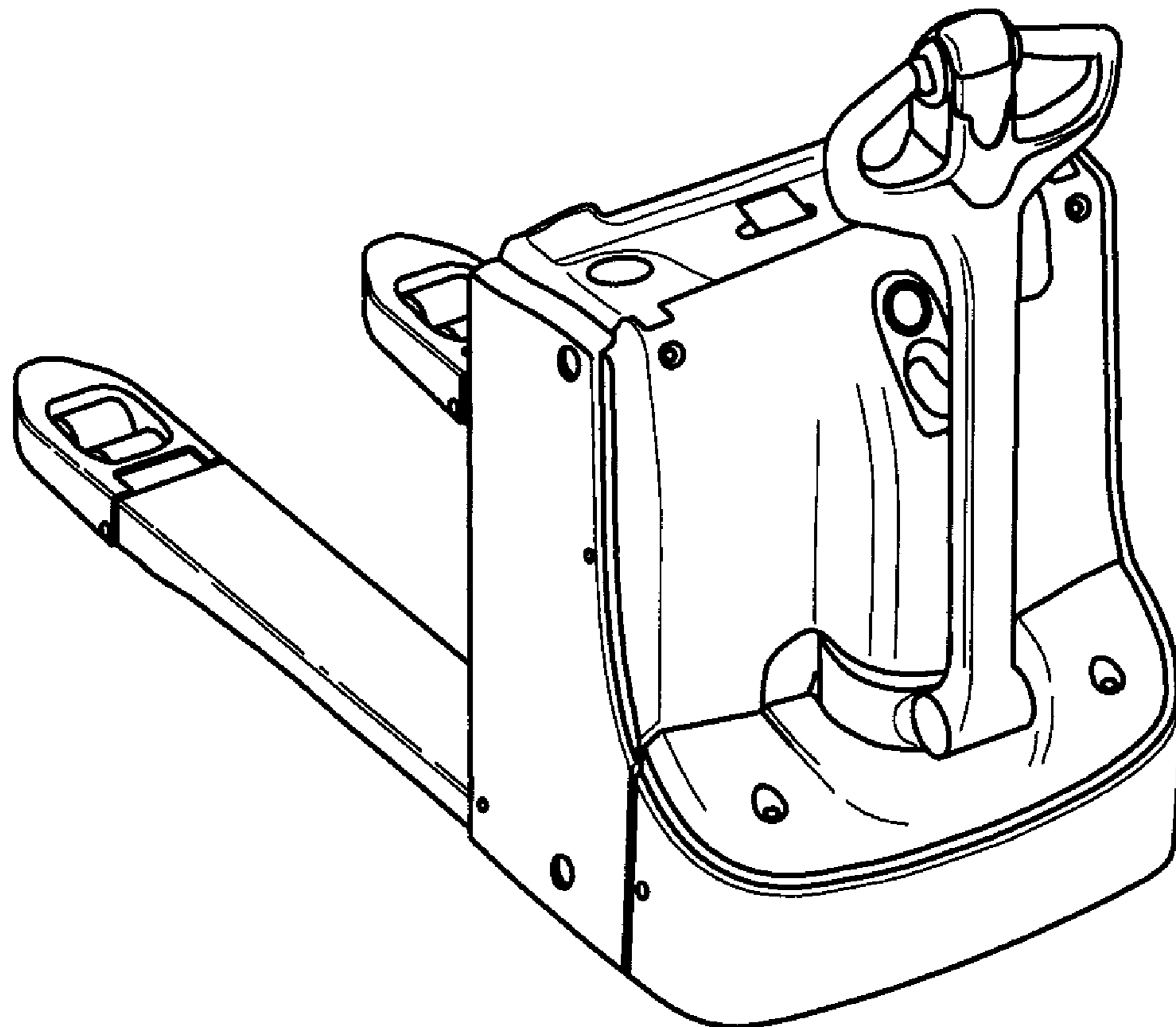
FIG. 4 is a rear view thereof;

FIG. 5 is a right-side view thereof;

FIG. 6 is a left-side view thereof; and,

FIG. 7 is a top, plan view thereof.

**1 Claim, 5 Drawing Sheets**



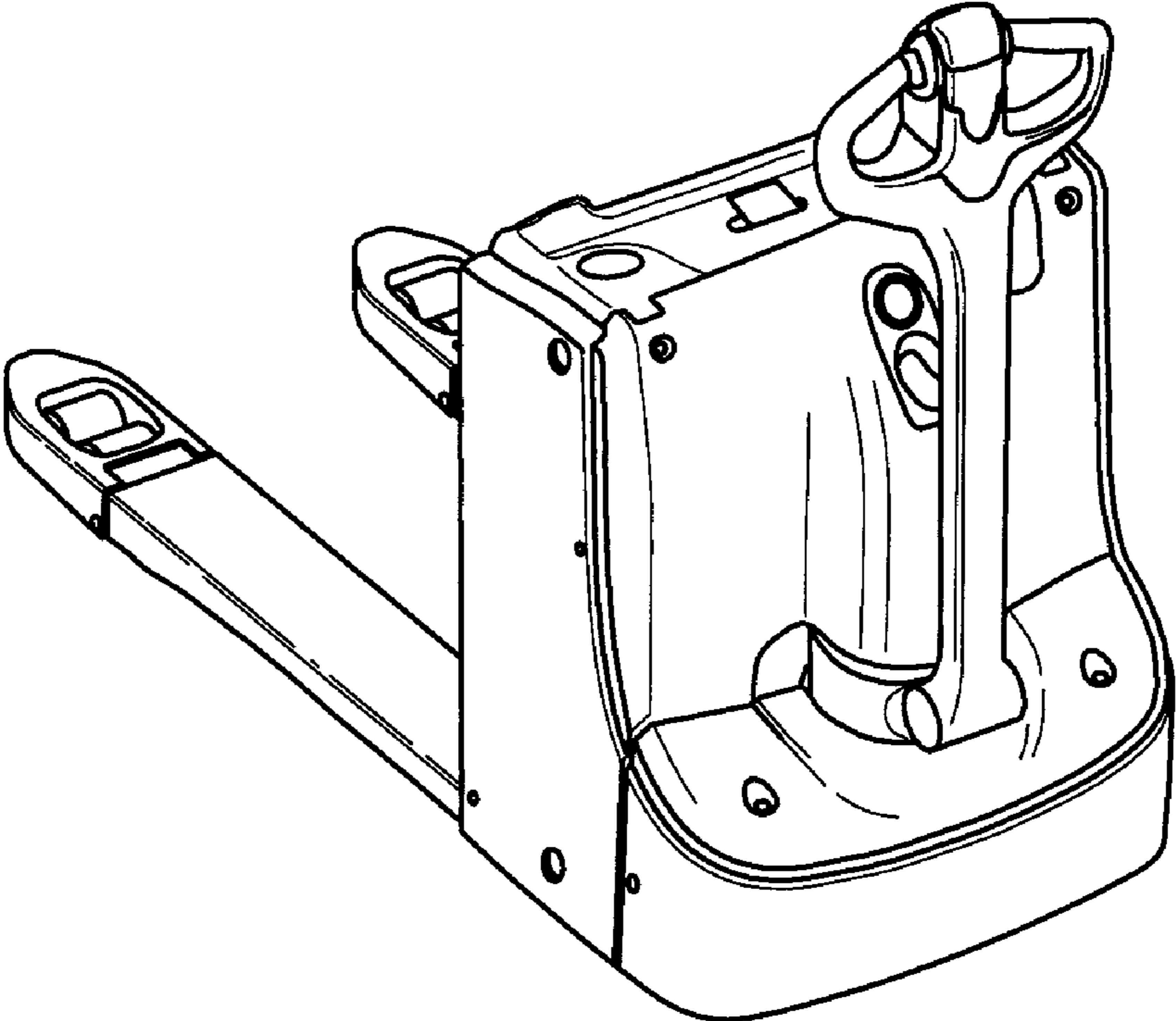


FIG. 1

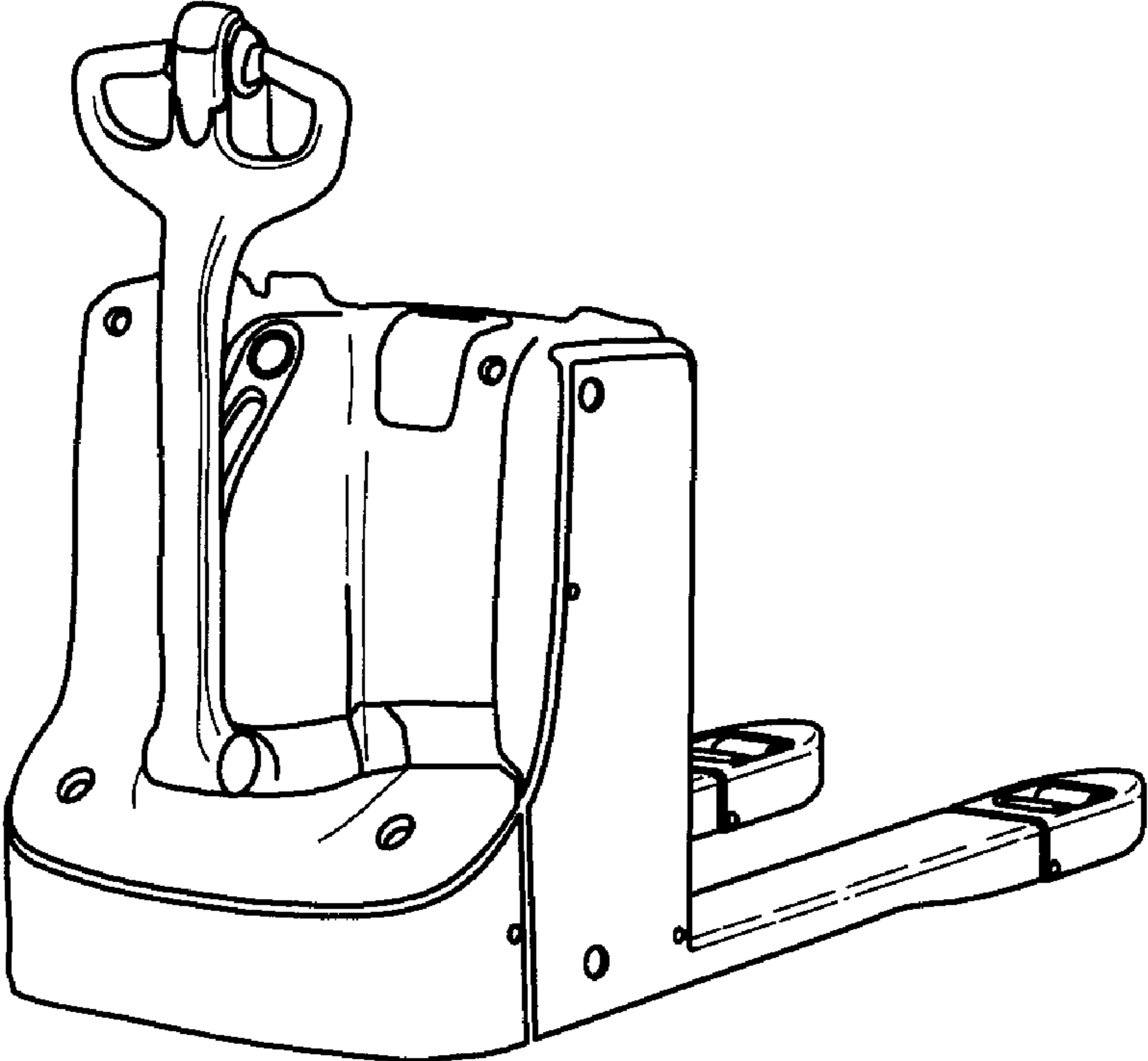


FIG. 2

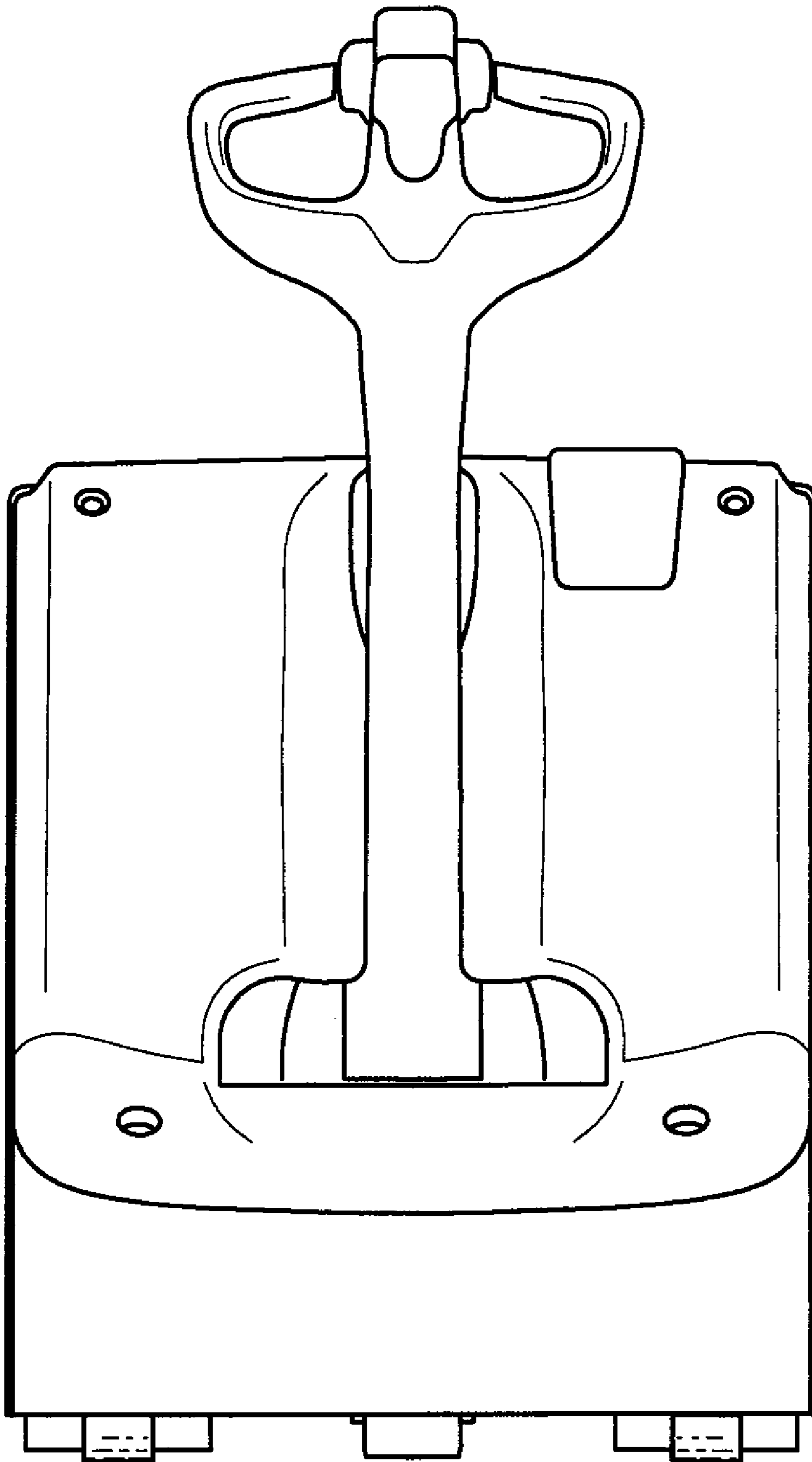
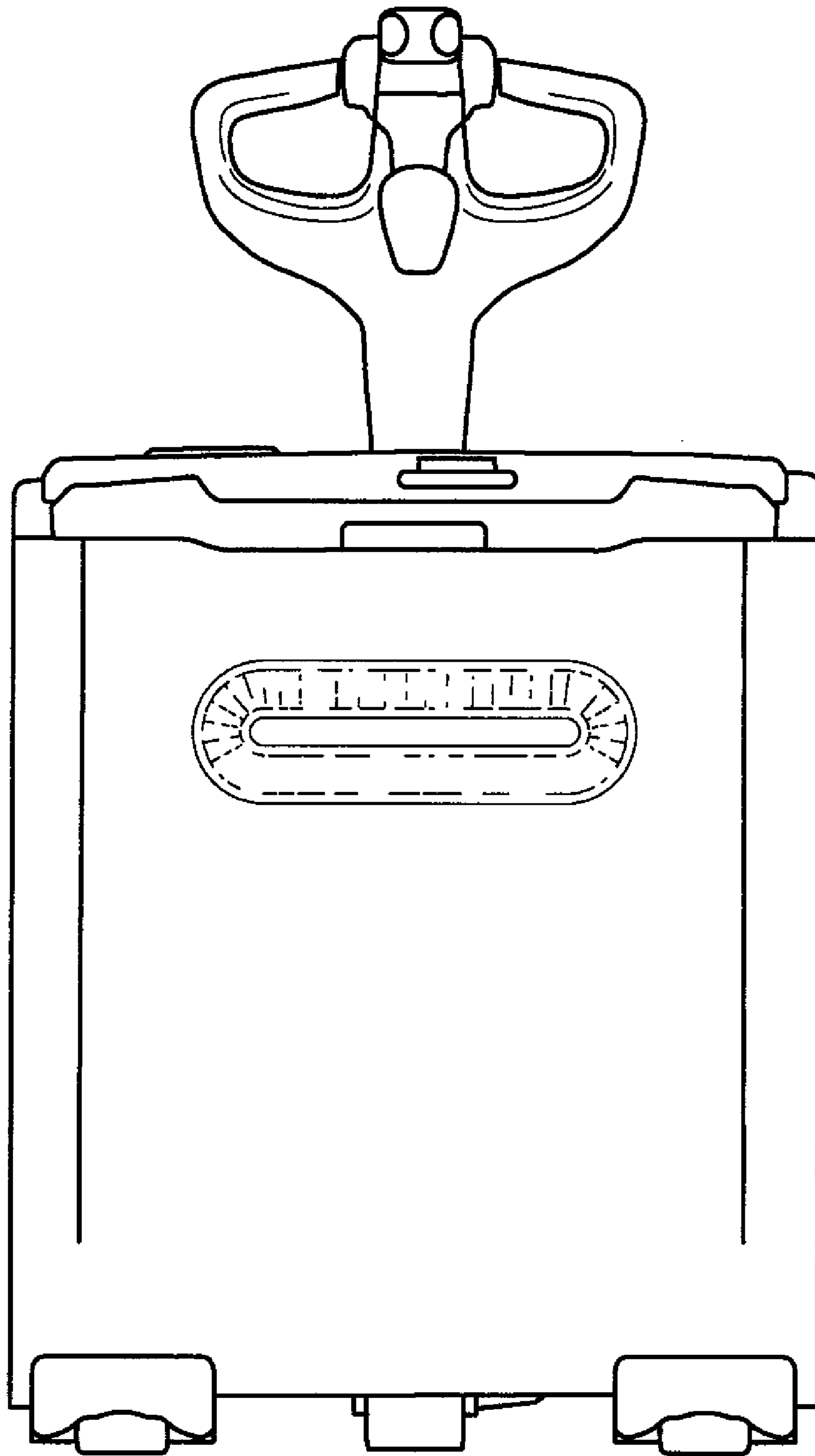


FIG. 3



**FIG. 4**

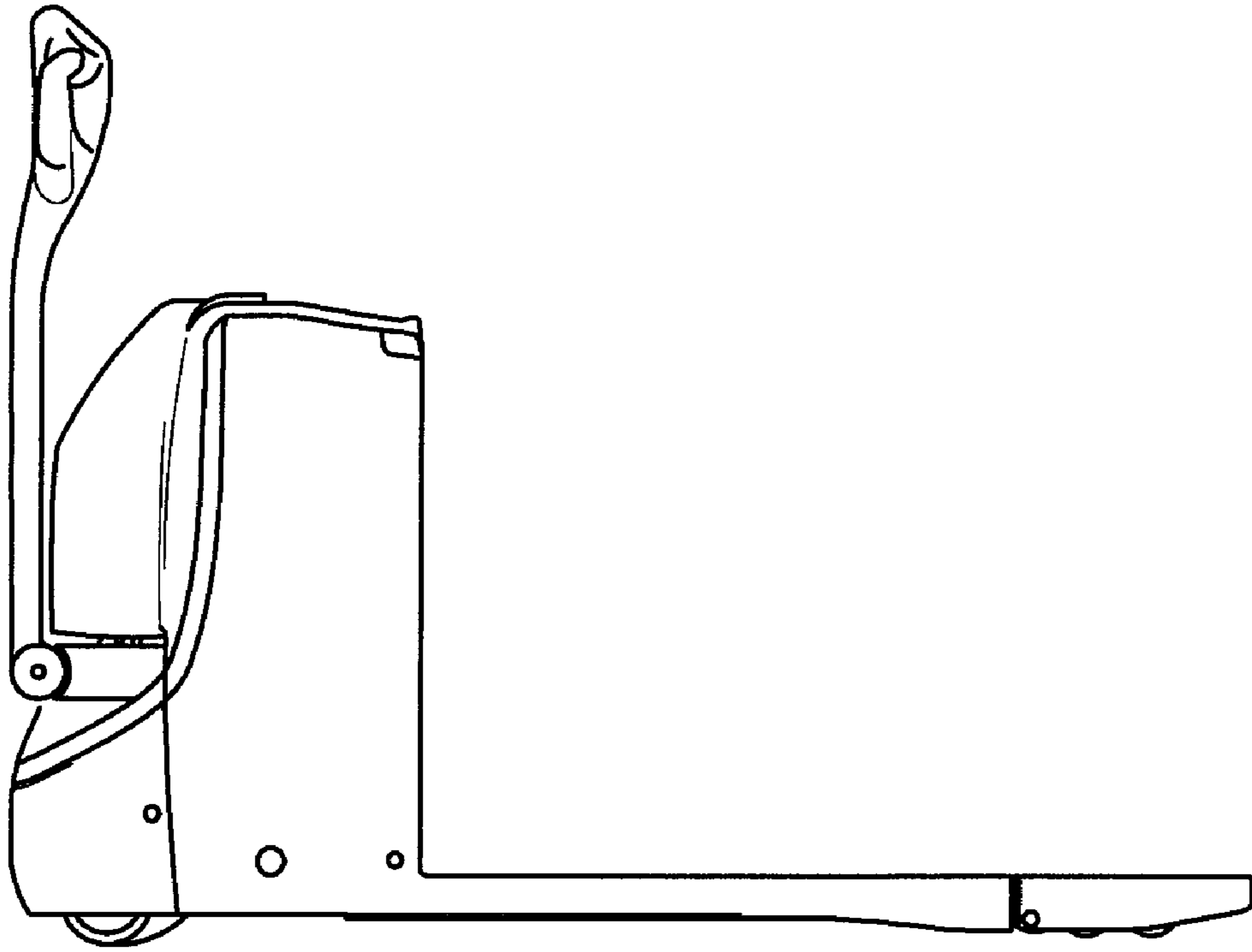


FIG. 5

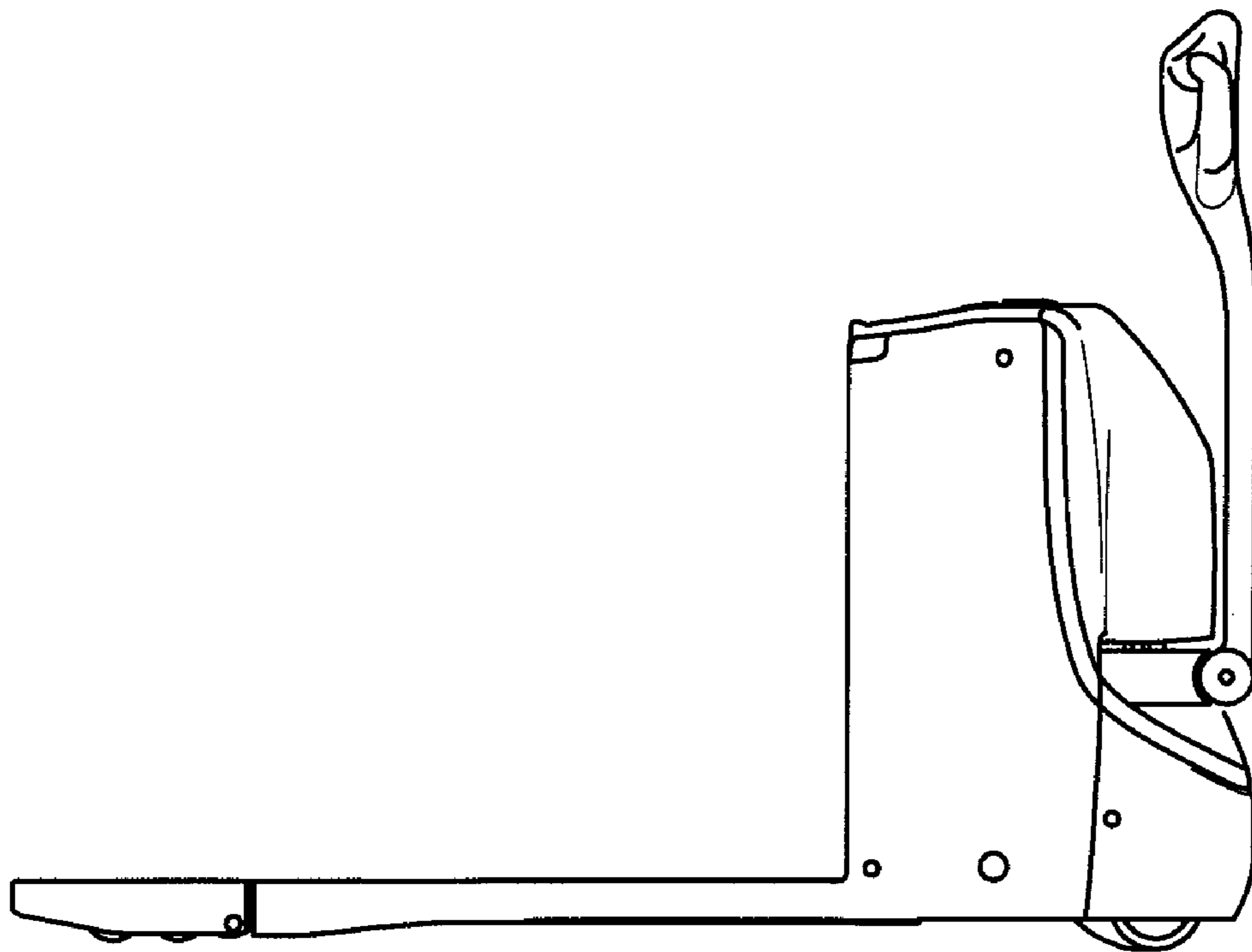


FIG. 6

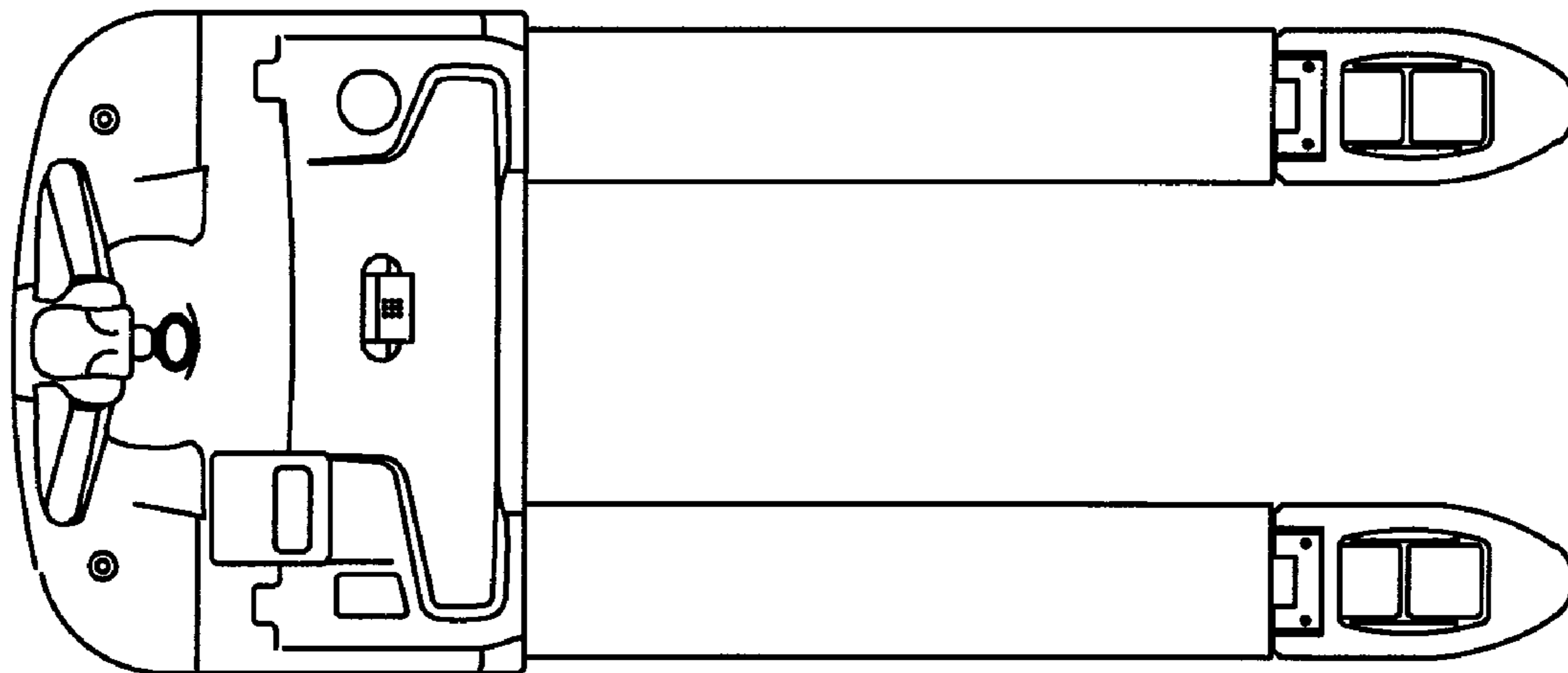


FIG. 7