



US00D583123S

(12) **United States Design Patent**
Cassin, III

(10) **Patent No.:** **US D583,123 S**

(45) **Date of Patent:** **** Dec. 16, 2008**

(54) **GROCERY CART TRAY**

(75) Inventor: **John W. Cassin, III**, Cincinnati, OH (US)

(73) Assignee: **The Kroger Co.**, Cincinnati, OH (US)

(**) Term: **14 Years**

(21) Appl. No.: **29/317,218**

(22) Filed: **Apr. 24, 2008**

(51) **LOC (8) Cl.** **12-02**

(52) **U.S. Cl.** **D34/27**

(58) **Field of Classification Search** D34/12-27;
280/33.994, 33.992; 296/100.16; D12/133

See application file for complete search history.

(56) **References Cited**

U.S. PATENT DOCUMENTS

D176,627	S	*	1/1956	Nash	D34/27
3,804,031	A	*	4/1974	Pitts	108/44
4,034,539	A		7/1977	Economy		
4,487,134	A		12/1984	Foote		
4,496,058	A		1/1985	Harris et al.		
4,643,280	A		2/1987	Hensley		
4,679,818	A	*	7/1987	Kakavas	280/33.992
4,848,117	A	*	7/1989	Welborn et al.	40/308
4,858,353	A		8/1989	Krebs et al.		
5,004,252	A		4/1991	Kraper		
5,186,558	A		2/1993	Sherman et al.		
5,347,115	A		9/1994	Sherman et al.		
D355,948	S	*	2/1995	Wu	D34/27

D356,200	S	*	3/1995	Kern et al.	D34/27
5,484,991	A		1/1996	Sherman et al.		
5,816,725	A		10/1998	Sherman et al.		
D411,904	S	*	7/1999	Risholm et al.	D34/27
6,189,788	B1		2/2001	Sherman et al.		
D484,664	S	*	12/2003	Arceta	D34/27
D548,921	S	*	8/2007	Gaddy	D34/27
D572,424	S	*	7/2008	Presnell et al.	D34/14
2002/0165778	A1		11/2002	O'Hagan et al.		
2006/0006229	A1		1/2006	Strom		
2008/0010873	A1		1/2008	Crum		

* cited by examiner

Primary Examiner—Cynthia E Ramirez

(74) *Attorney, Agent, or Firm*—Wood, Herron & Evans, LLP

(57) **CLAIM**

The ornamental design for a grocery cart tray, as shown and described.

DESCRIPTION

FIG. 1 is an isometric view of a grocery cart tray showing my design;

FIG. 2 is a top plan view of the grocery cart tray of FIG. 1;

FIG. 3 is a front elevational view thereof;

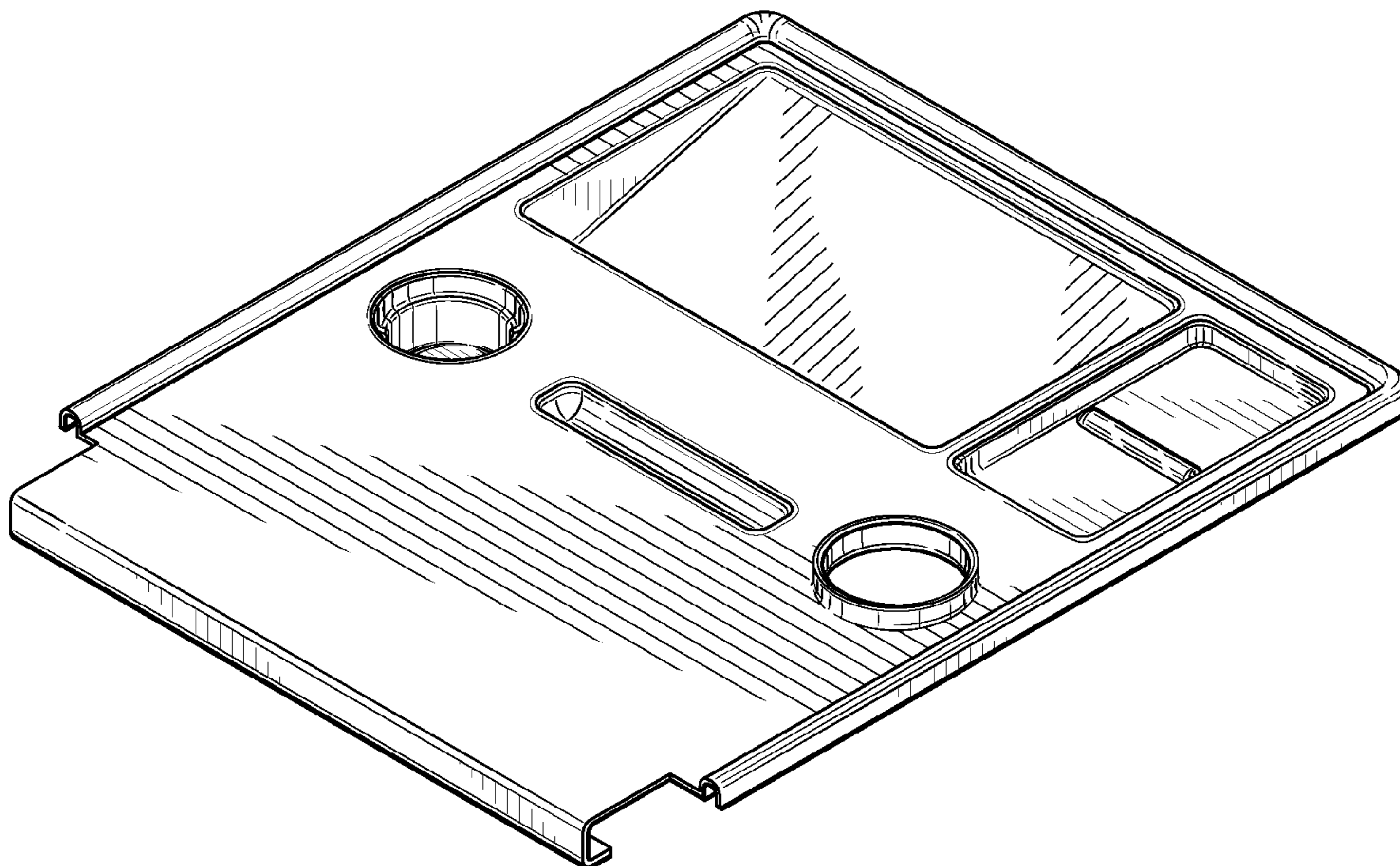
FIG. 4 is a right elevational view thereof;

FIG. 5 is a left side elevational view thereof;

FIG. 6 is a back plan view thereof; and,

FIG. 7 is a bottom plan view thereof.

1 Claim, 3 Drawing Sheets



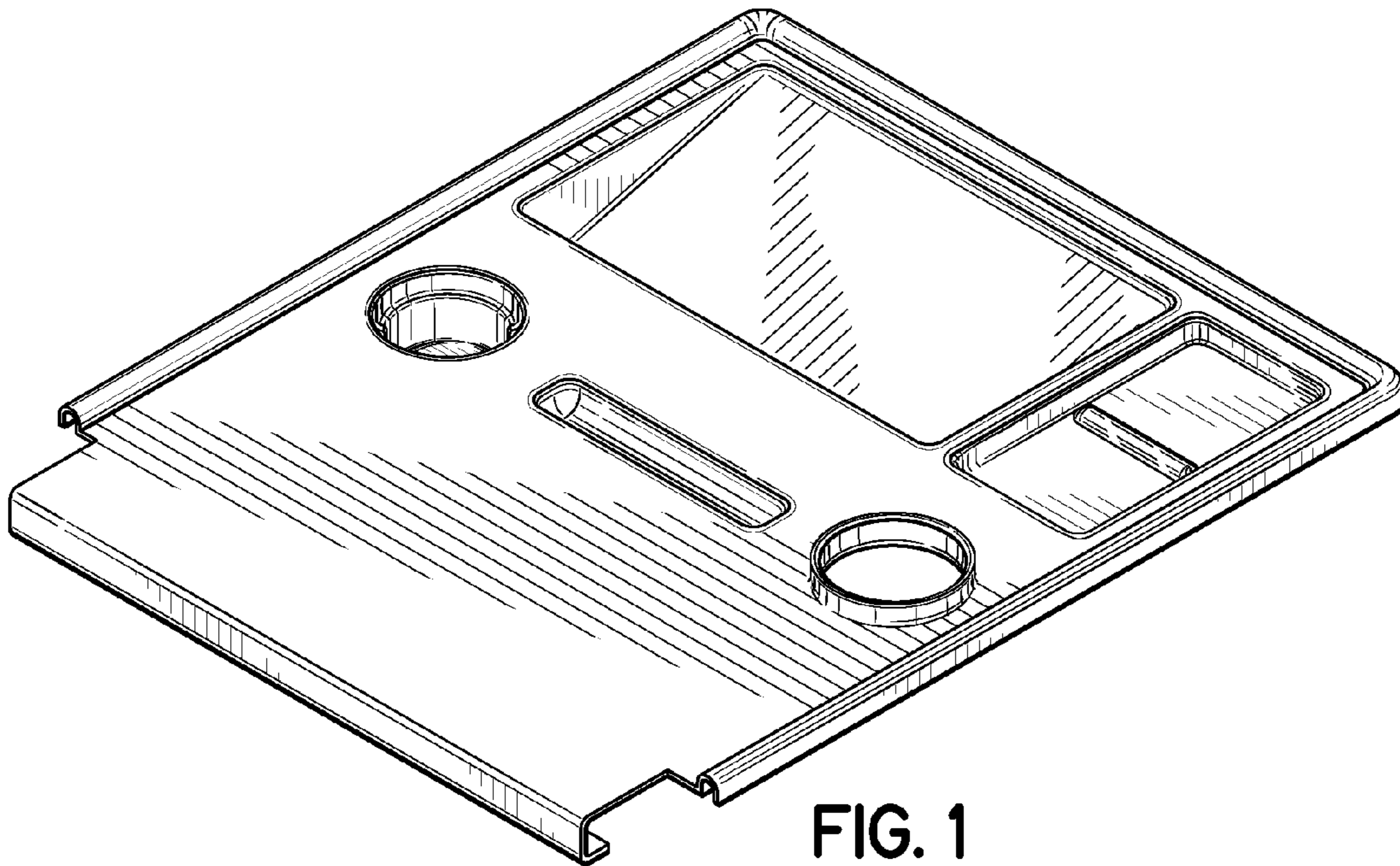


FIG. 1

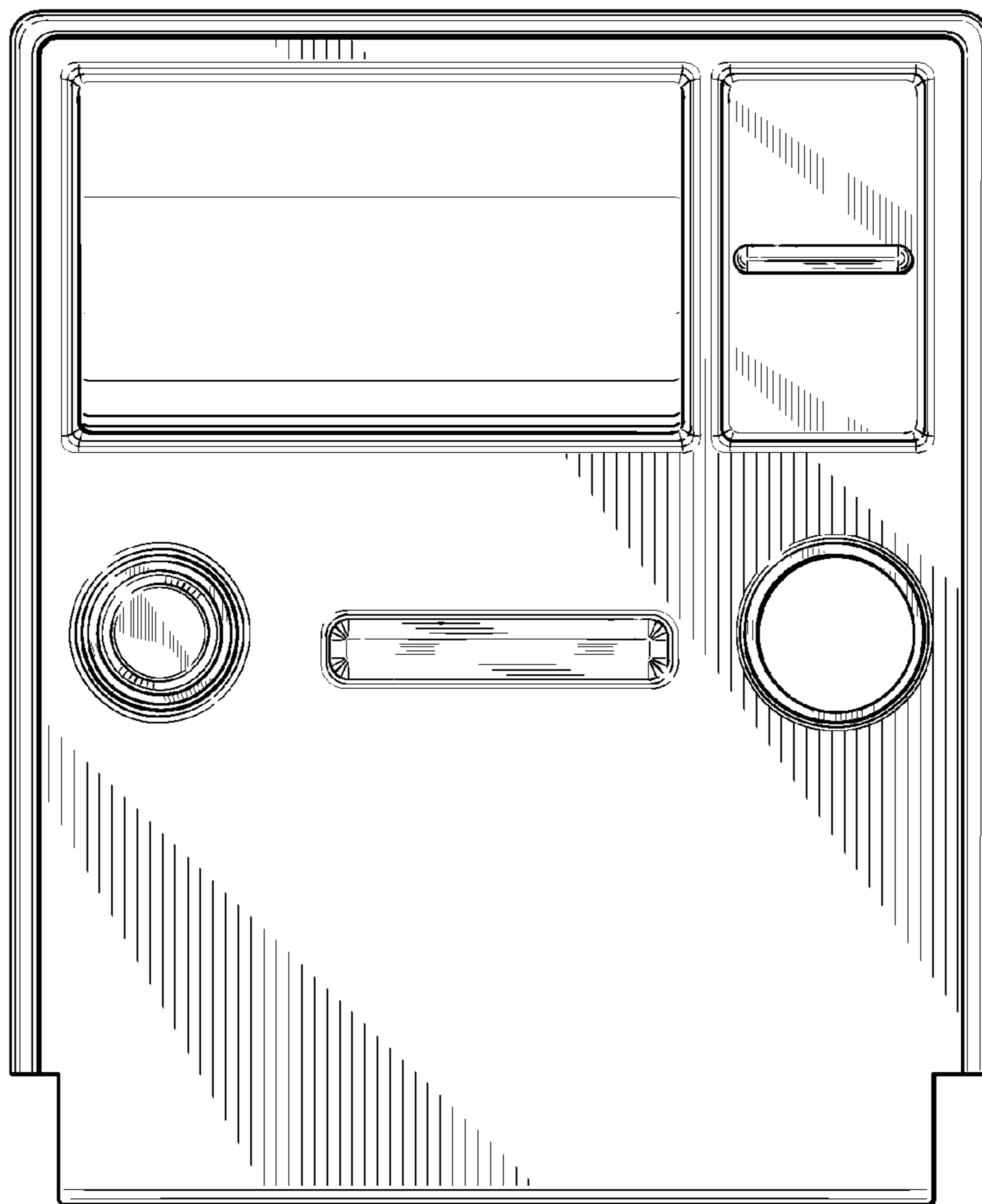


FIG. 2

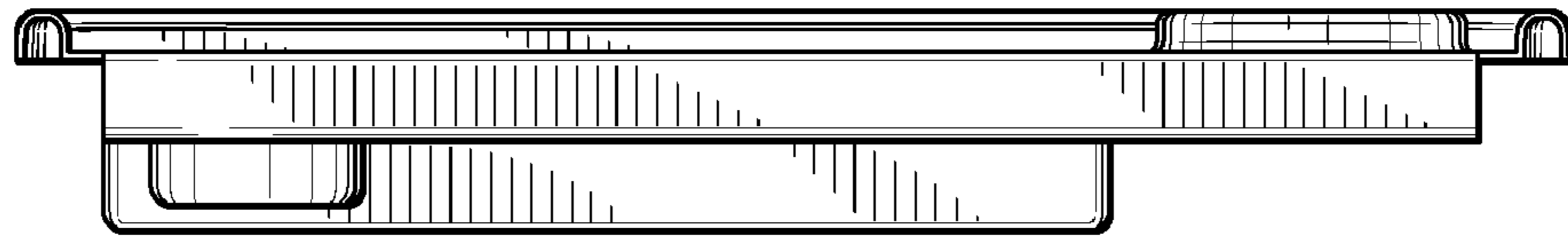


FIG. 3

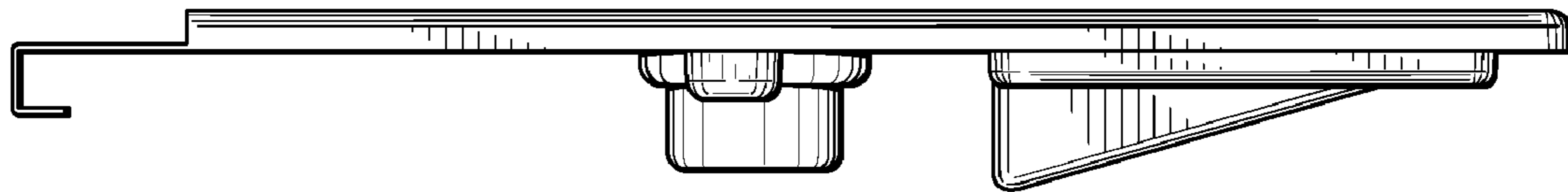


FIG. 4

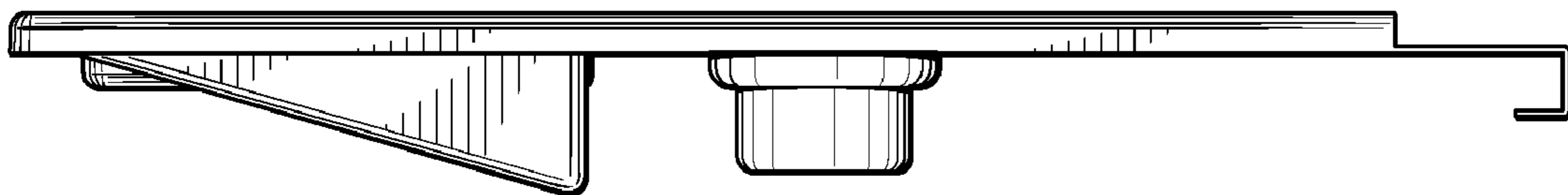


FIG. 5

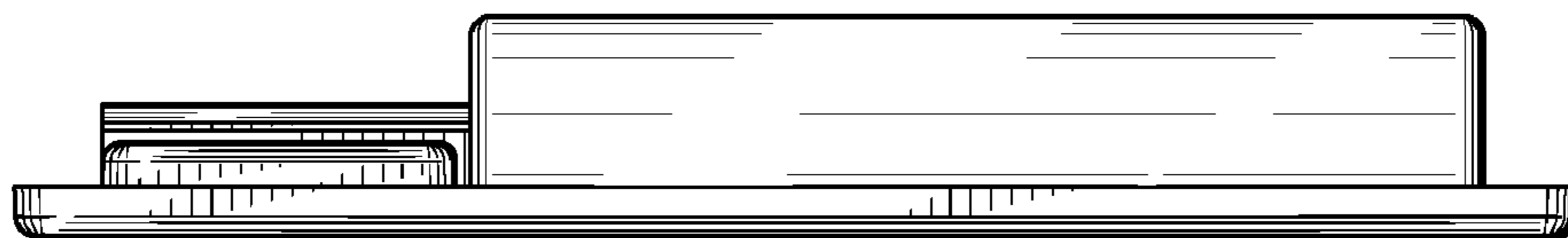


FIG. 6

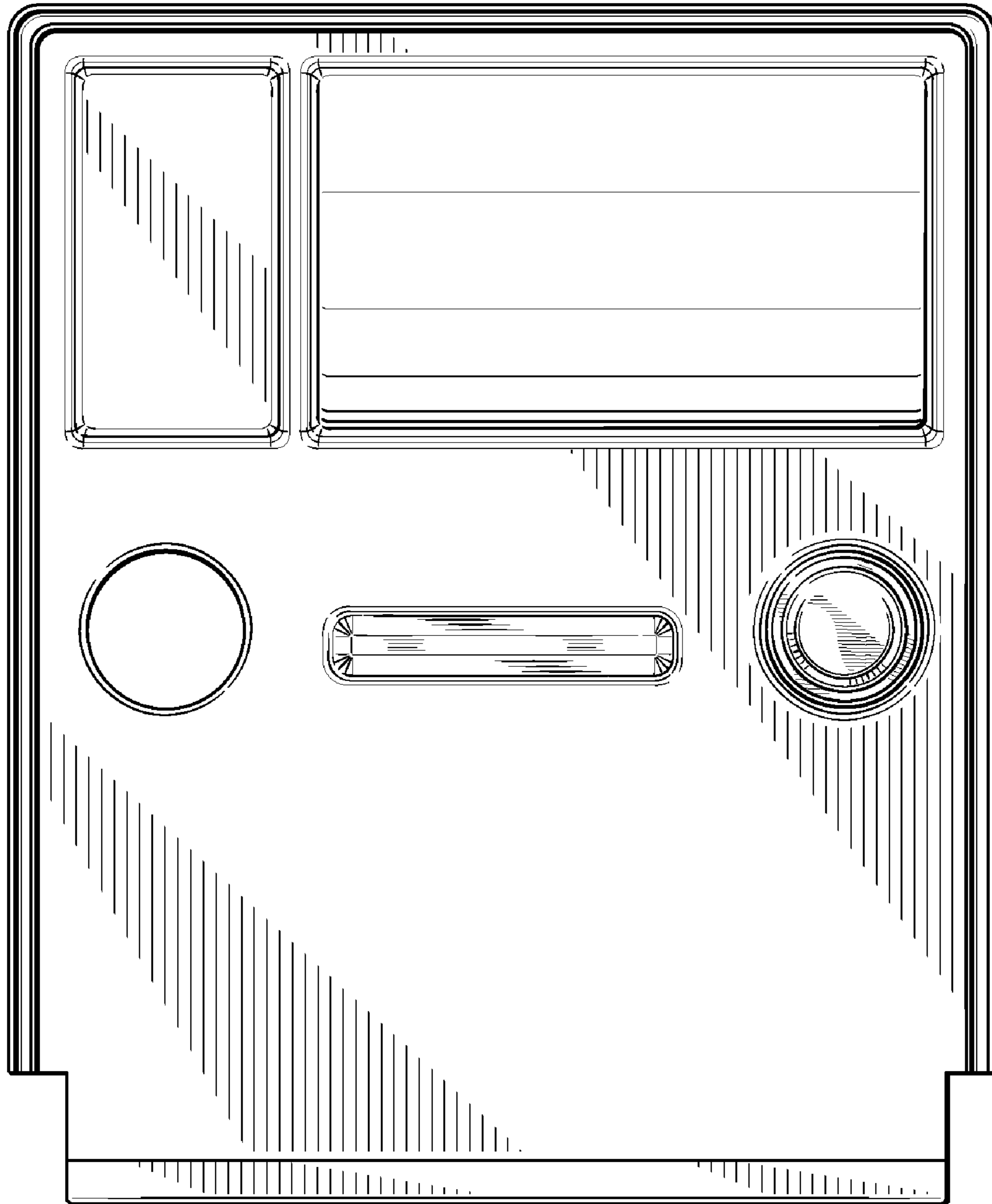


FIG. 7