



US00D583122S

(12) **United States Design Patent**
Ralph

(10) **Patent No.:** **US D583,122 S**

(45) **Date of Patent:** **** Dec. 16, 2008**

(54) **CONTAINER CART**

(76) Inventor: **Michael Allan Ralph**, 8 Star Circle, St. Catharines, Ontario (CA) L2M 2S6

(**) Term: **14 Years**

(21) Appl. No.: **29/289,491**

(22) Filed: **Jul. 23, 2007**

(30) **Foreign Application Priority Data**

Jan. 24, 2007	(CA)	119197
Feb. 22, 2007	(CA)	119640
Jun. 27, 2007	(CA)	121236

(51) **LOC (8) Cl.** **12-02**

(52) **U.S. Cl.** **D34/24**

(58) **Field of Classification Search** D34/12-27;
280/47.19, 47.26, 47.29, 47.35, 651, 684
See application file for complete search history.

(56) **References Cited**

U.S. PATENT DOCUMENTS

3,858,899	A *	1/1975	Bontrager et al.	280/641
5,160,154	A	11/1992	Seydel et al.		
D332,335	S	1/1993	Casad		
5,192,092	A	3/1993	DiBenedetto		
D373,669	S	9/1996	Perkins		
5,595,395	A	1/1997	Wilson		
D395,110	S	6/1998	O'Neal et al.		
5,758,886	A	6/1998	Mayer		

D399,625	S *	10/1998	Murphy et al.	D34/21
D404,878	S	1/1999	Paquet		
D441,935	S *	5/2001	Cook	D34/24
6,550,792	B1	4/2003	Salmon et al.		
6,962,353	B1	11/2005	Garcia		
7,063,339	B2	6/2006	Jarko et al.		
7,168,715	B1 *	1/2007	Friedman	280/47.35
D553,324	S *	10/2007	Lieblein	D34/14
2006/0197297	A1	9/2006	Humphries et al.		

* cited by examiner

Primary Examiner—Cynthia E Ramirez

(74) *Attorney, Agent, or Firm*—Young Basile

(57) **CLAIM**

The ornamental design for a container cart, as shown and described.

DESCRIPTION

FIG. 1 is a front, top and left perspective view of the container cart showing my new design;

FIG. 2 is a rear, right side perspective view thereof;

FIG. 3 is a right side elevation view thereof;

FIG. 4 is a left side elevation view thereof;

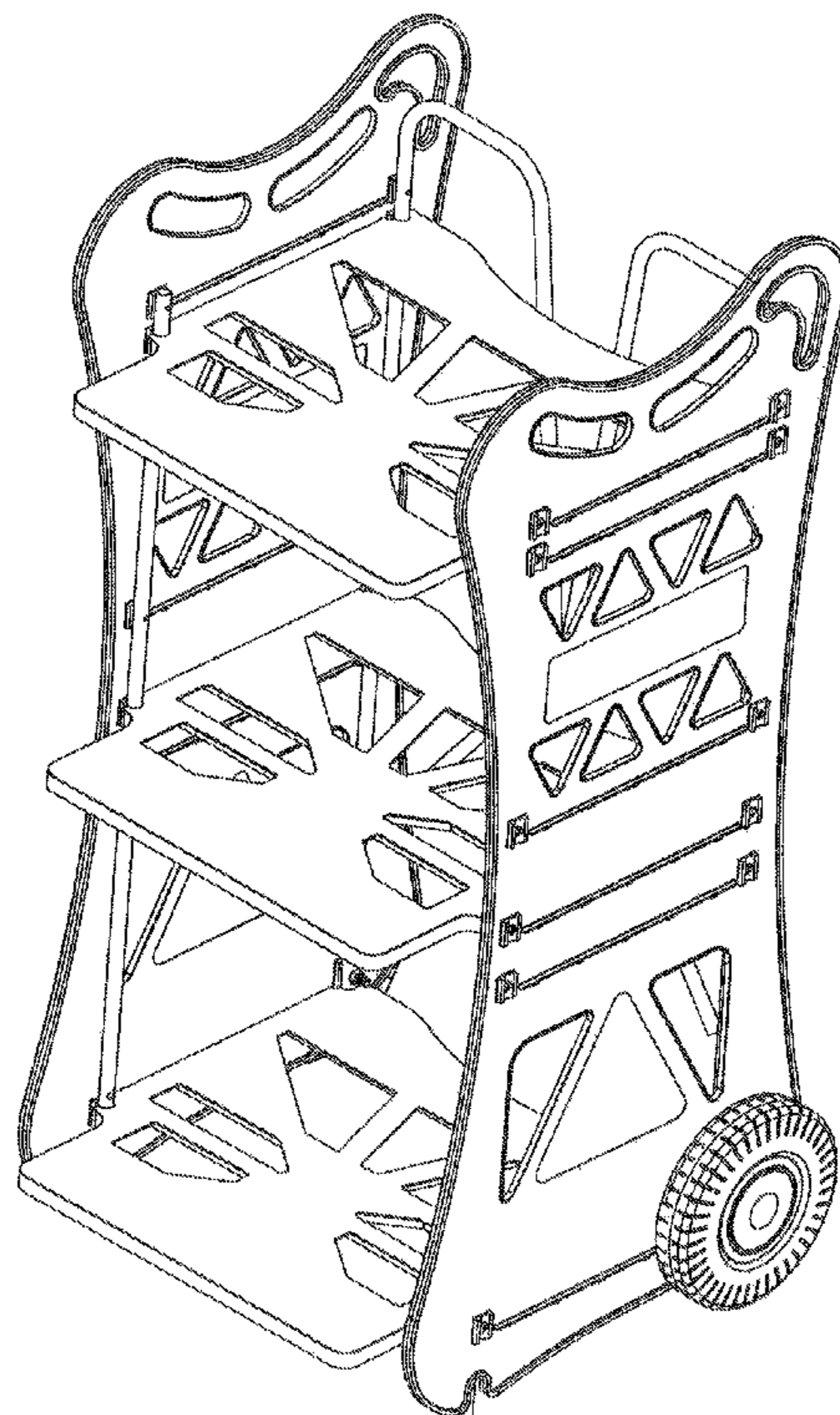
FIG. 5 is a front elevation view thereof;

FIG. 6 is a rear elevation view thereof;

FIG. 7 is a bottom plan view thereof; and,

FIG. 8 is a top plan view thereof.

1 Claim, 8 Drawing Sheets



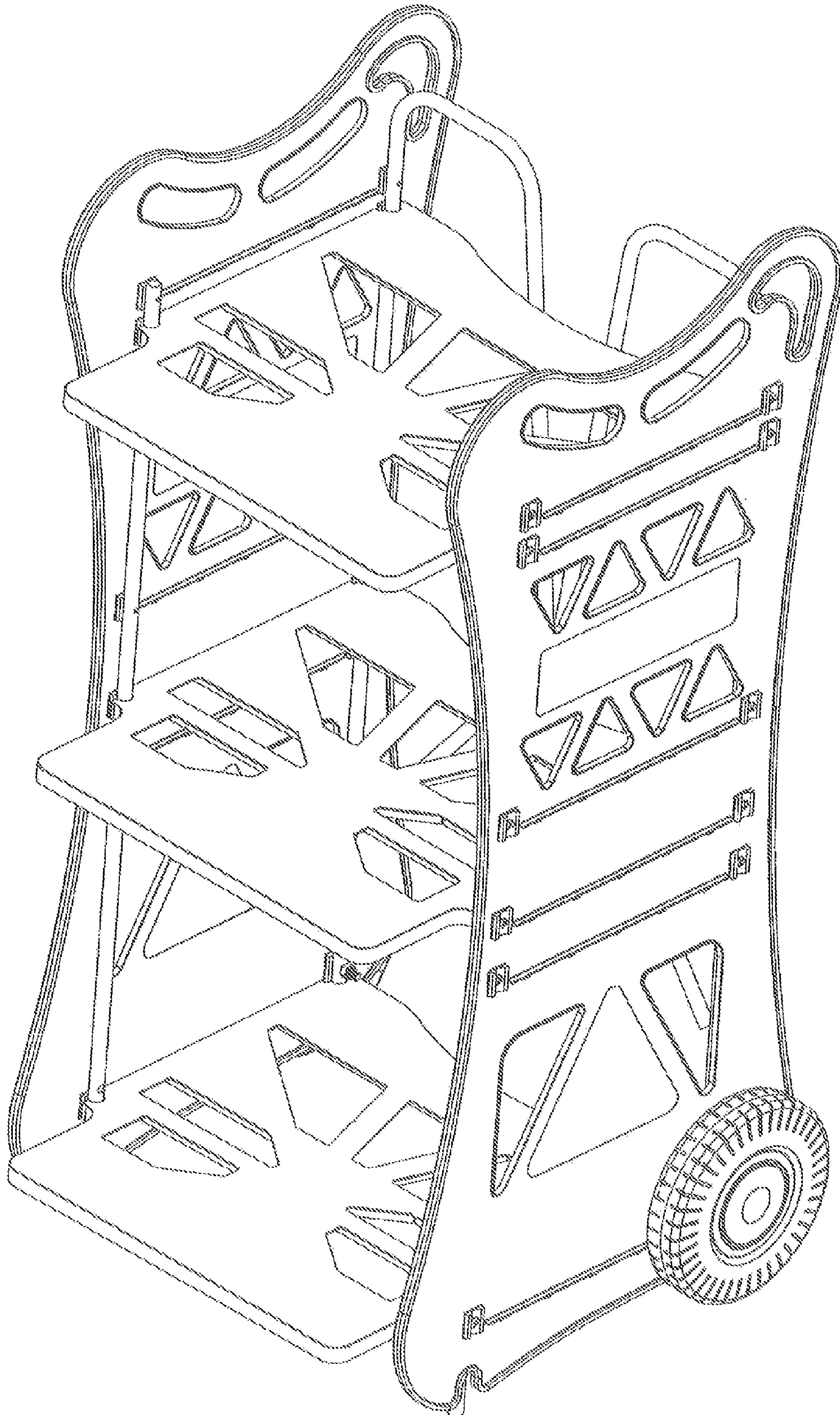


FIGURE 1

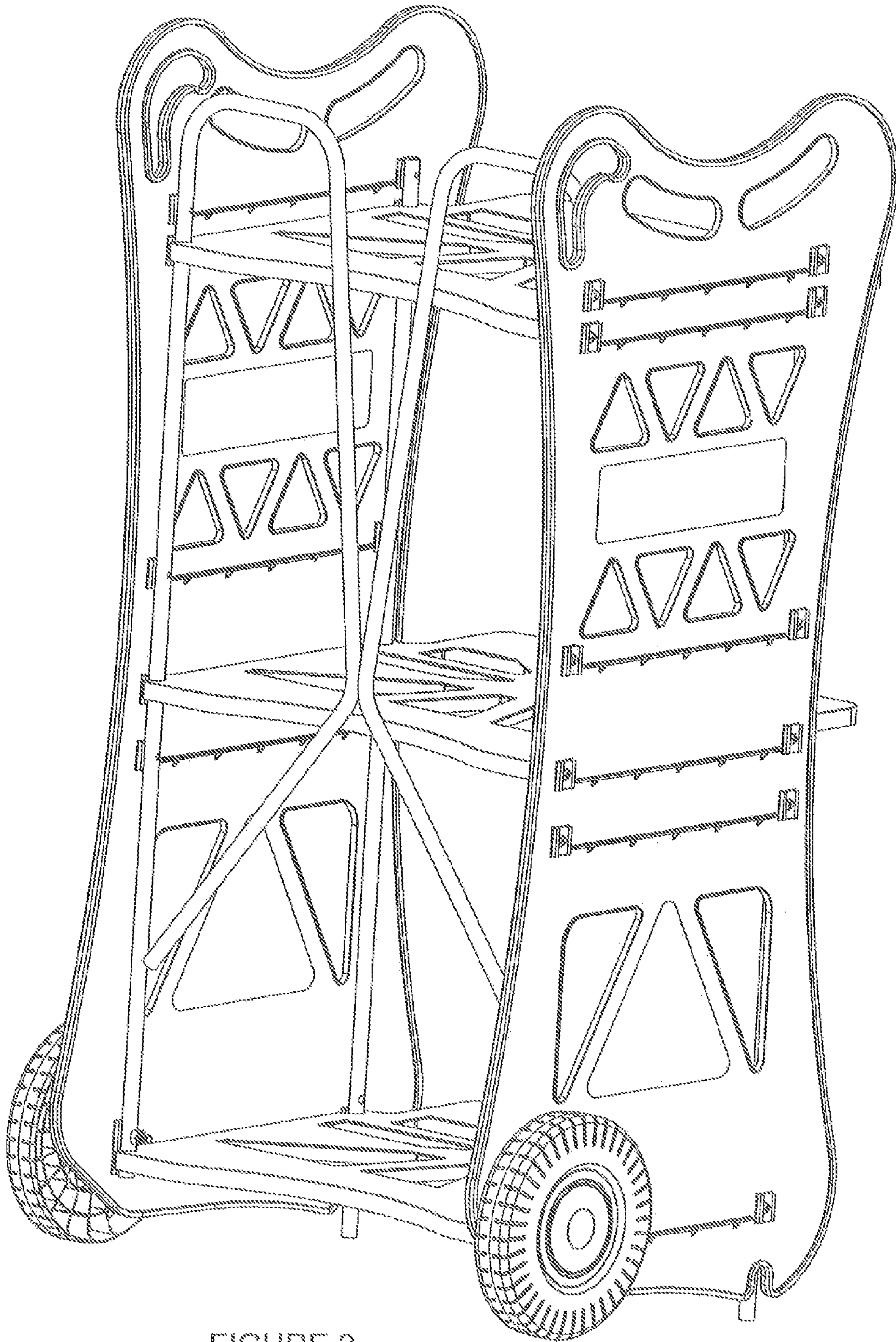


FIGURE 2

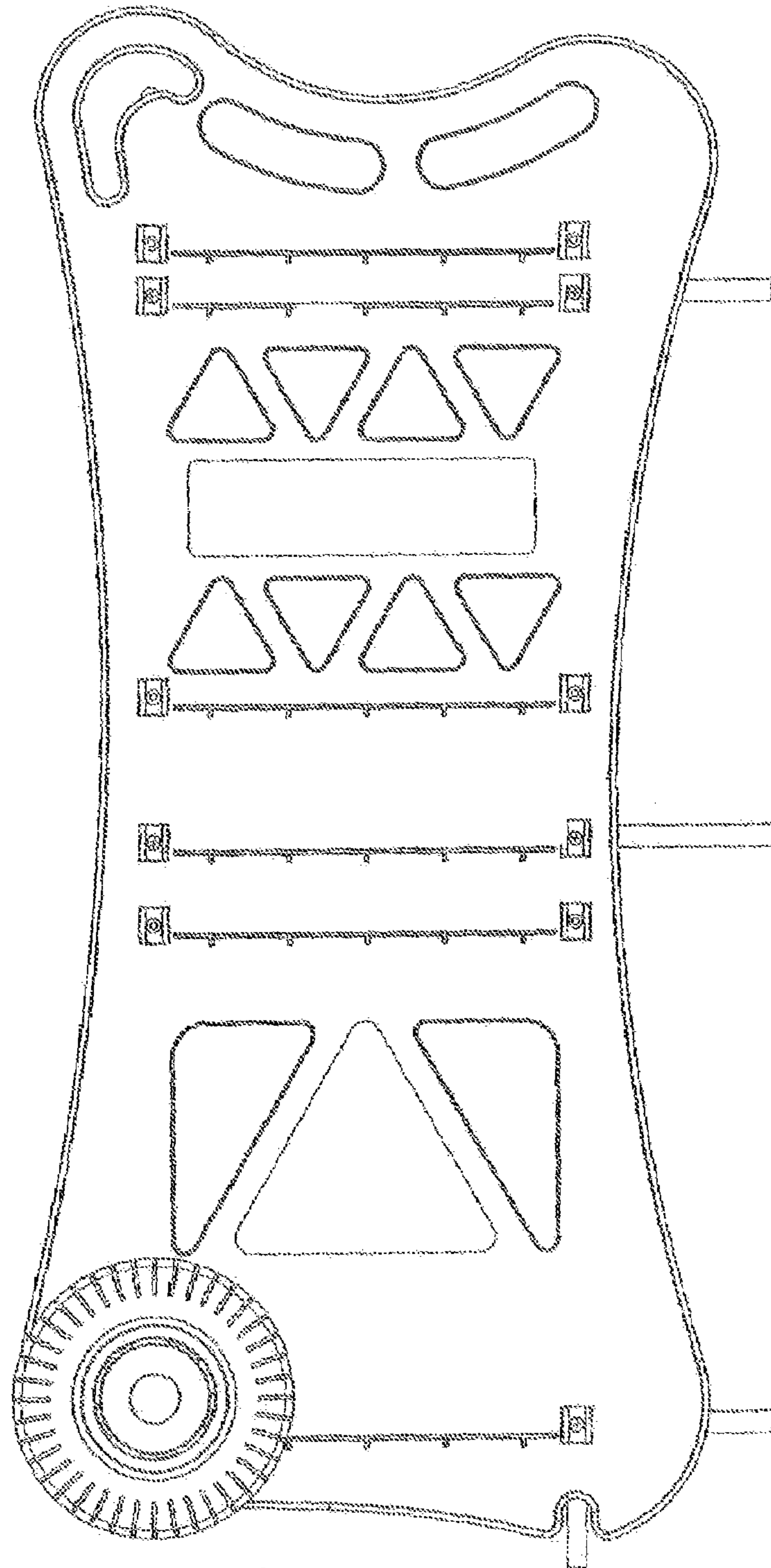


FIGURE 3

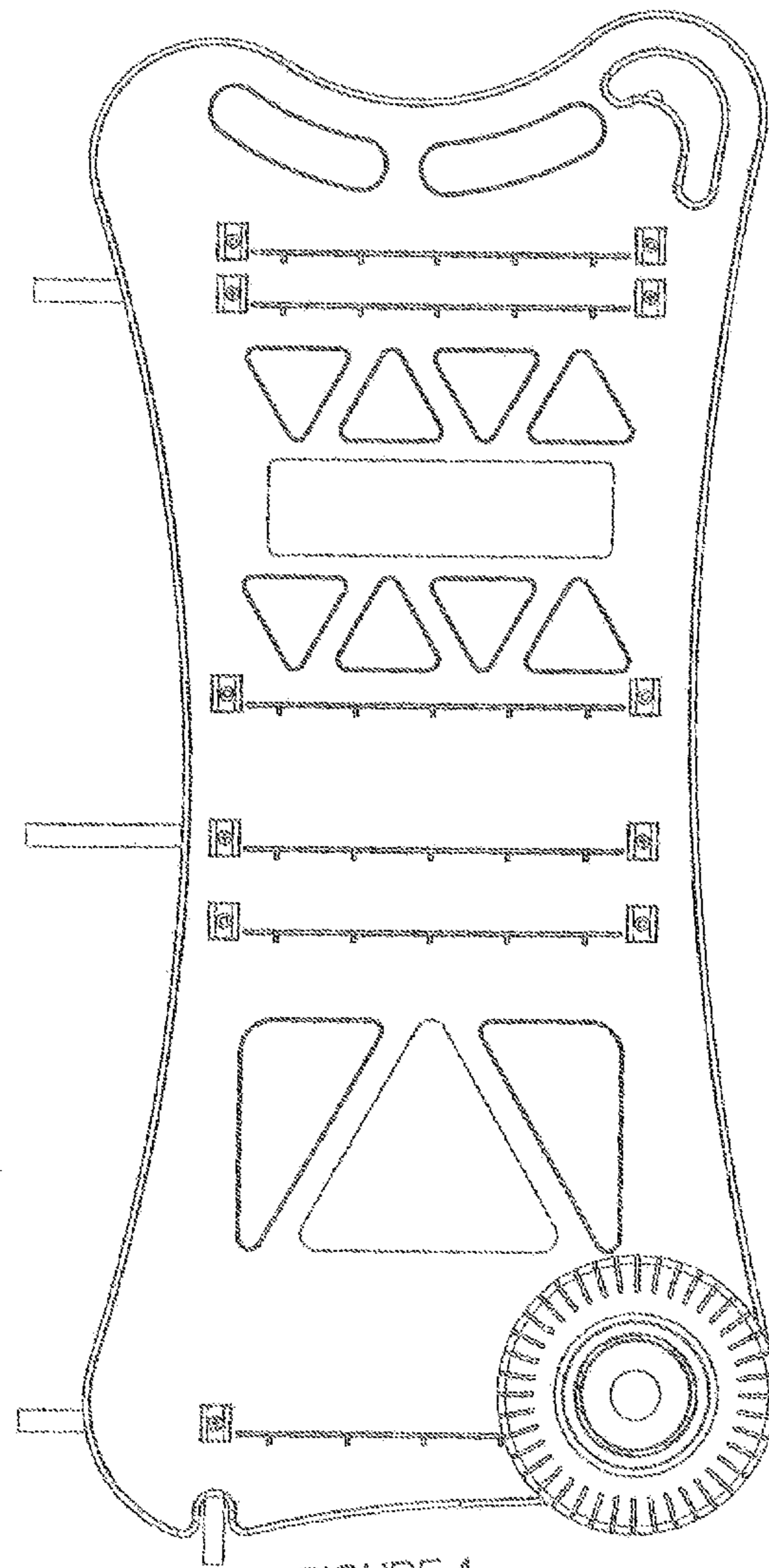


FIGURE 4

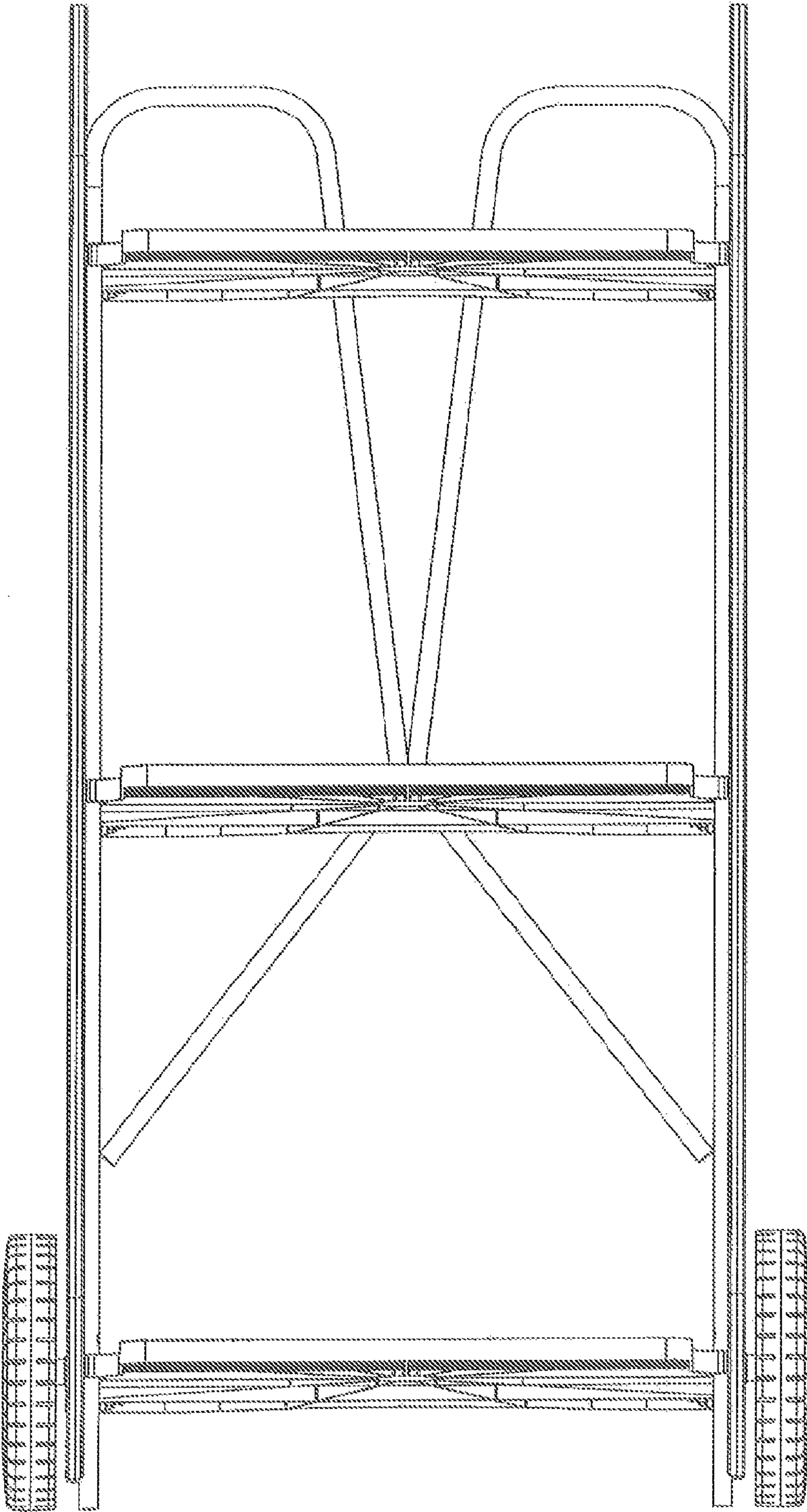


FIGURE 5

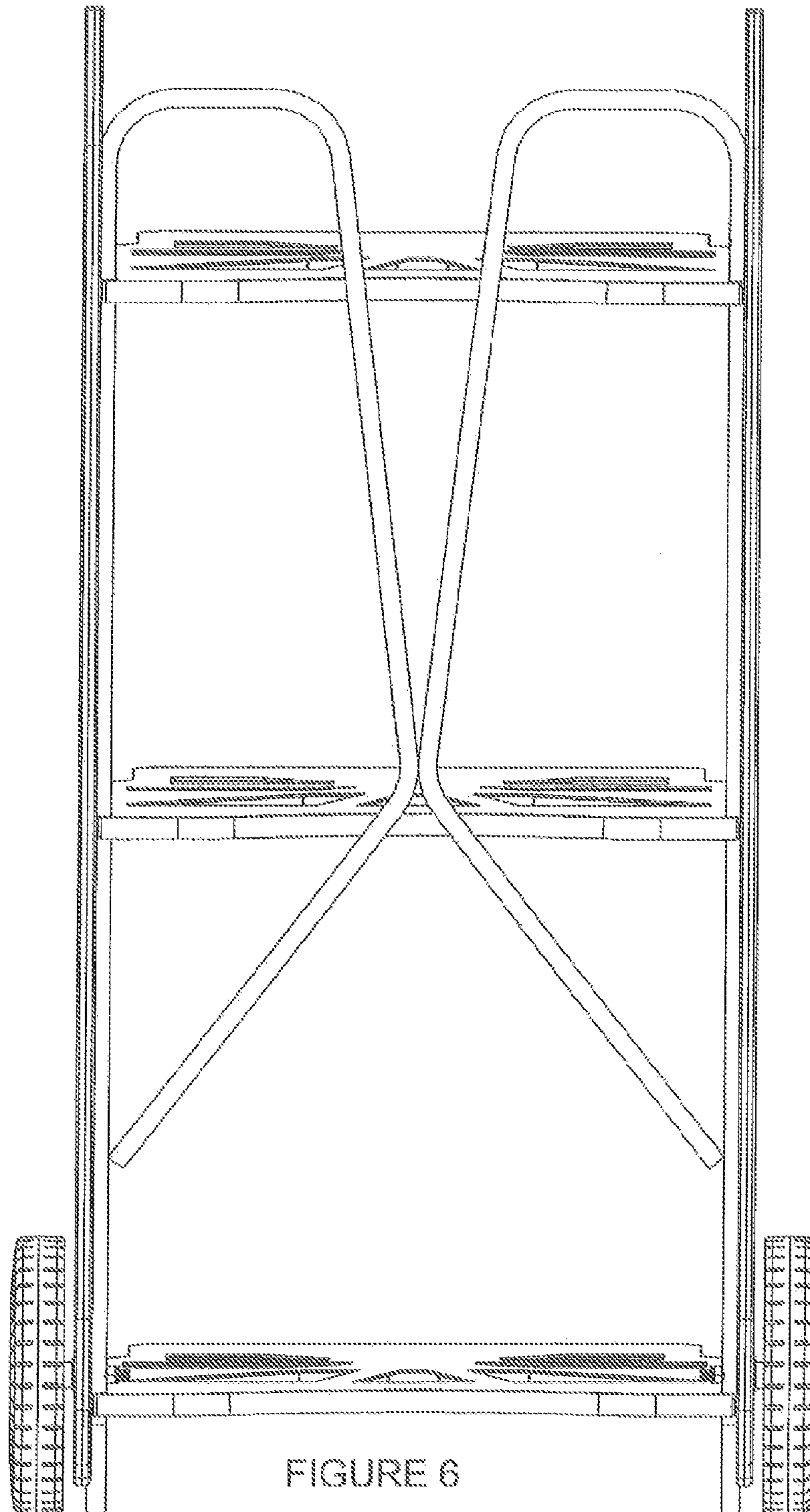


FIGURE 6

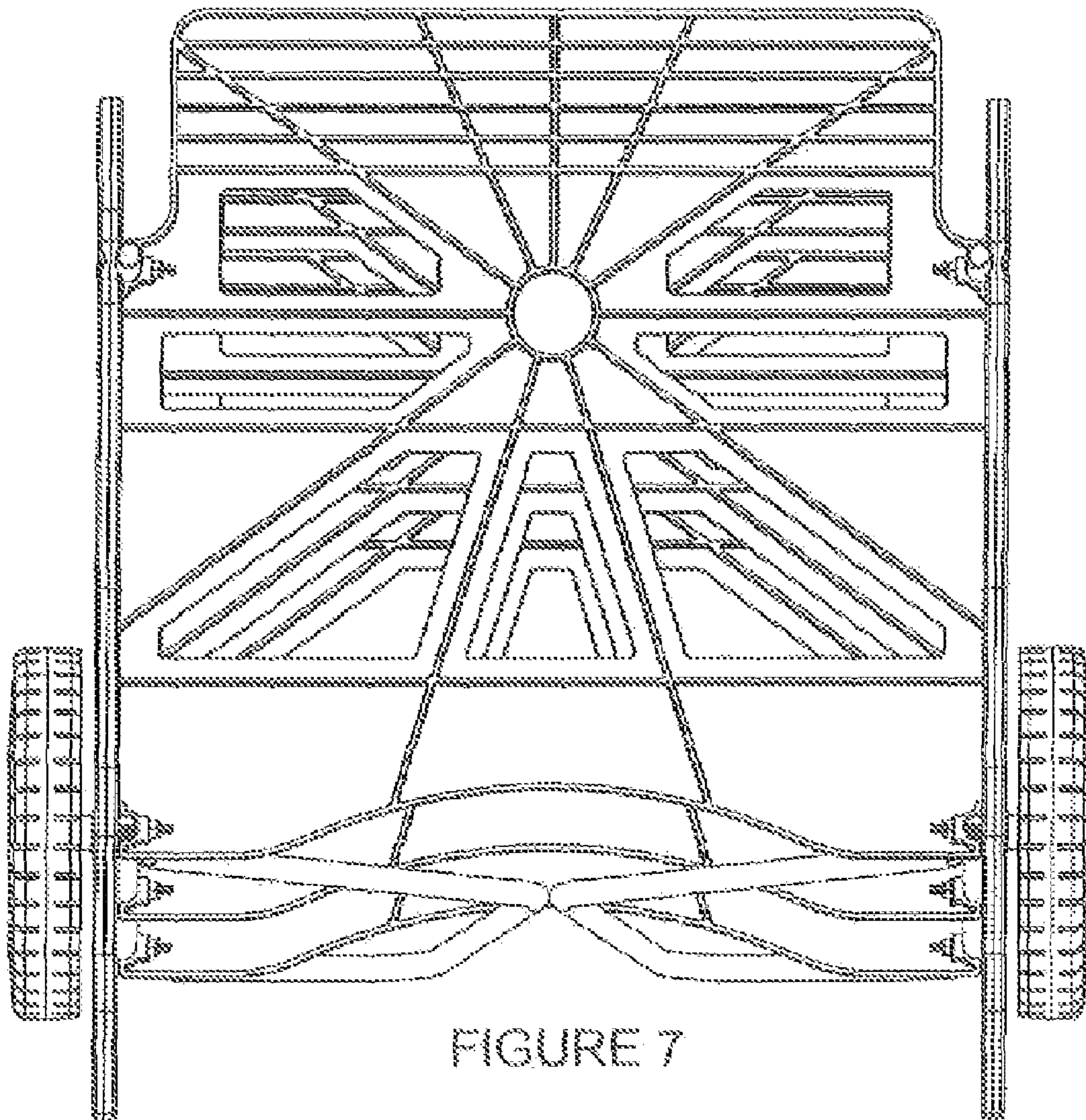


FIGURE 7

