



US00D583120S

(12) **United States Design Patent**
Arthurson

(10) **Patent No.:** **US D583,120 S**

(45) **Date of Patent:** **** Dec. 16, 2008**

(54) **BIN LID LIFTER**

(76) Inventor: **Kingsley Arthurson**, 43 Turnbury Park Drive, Jandakot, Perth, Western Australia (AU) 6164

(**) Term: **14 Years**

(21) Appl. No.: **29/279,415**

(22) Filed: **Apr. 30, 2007**

(30) **Foreign Application Priority Data**

Oct. 31, 2006 (AU) 15018/2006

(51) **LOC (8) Cl.** **09-09**

(52) **U.S. Cl.** **D34/10**

(58) **Field of Classification Search** D34/1, D34/10, 11; 298/10; 220/262, 263, 264
See application file for complete search history.

(56) **References Cited**

U.S. PATENT DOCUMENTS

1,831,687	A *	11/1931	Ross	232/43.1
2,513,499	A *	7/1950	Levine et al.	81/3.36
2,860,795	A *	11/1958	Zoller	414/407
3,527,356	A *	9/1970	Herdy	211/82
3,844,615	A *	10/1974	Anderson	298/10
3,923,174	A *	12/1975	Stragier	414/420
4,300,696	A *	11/1981	Bryce	248/133
4,593,873	A *	6/1986	Nelson	248/98
5,028,196	A *	7/1991	Richards	414/406
5,207,550	A *	5/1993	Lehman	414/420

6,024,238	A *	2/2000	Jaros	220/264
6,581,587	B1 *	6/2003	Helms	126/25 R
6,789,537	B1 *	9/2004	Lutz et al.	126/25 R
7,070,664	B2 *	7/2006	Uno et al.	148/333
7,128,515	B2 *	10/2006	Arrez et al.	414/408
2004/0089663	A1 *	5/2004	Finkelstein	220/263

* cited by examiner

Primary Examiner—Cynthia E Ramirez

(74) *Attorney, Agent, or Firm*—Shoemaker and Mattare

(57) **CLAIM**

The ornamental design for a bin lid lifter, as shown and described.

DESCRIPTION

FIG. 1 is a front, side perspective view of the bin lid lifter showing my new design;

FIG. 2 is a partial lower side view of the bin lid lifter;

FIG. 3 is a top, side perspective view of the bin lid lifter;

FIG. 4 is a partial top, rear perspective view showing the bin lid lifter in use;

FIG. 5 is a partial top view of the bin lid lifter; and,

FIG. 6 is a partial side perspective view showing the bin lid lifter in use.

The broken line showing of a trash can is included for the purpose of illustrating environment and forms no part of the claimed design.

1 Claim, 6 Drawing Sheets

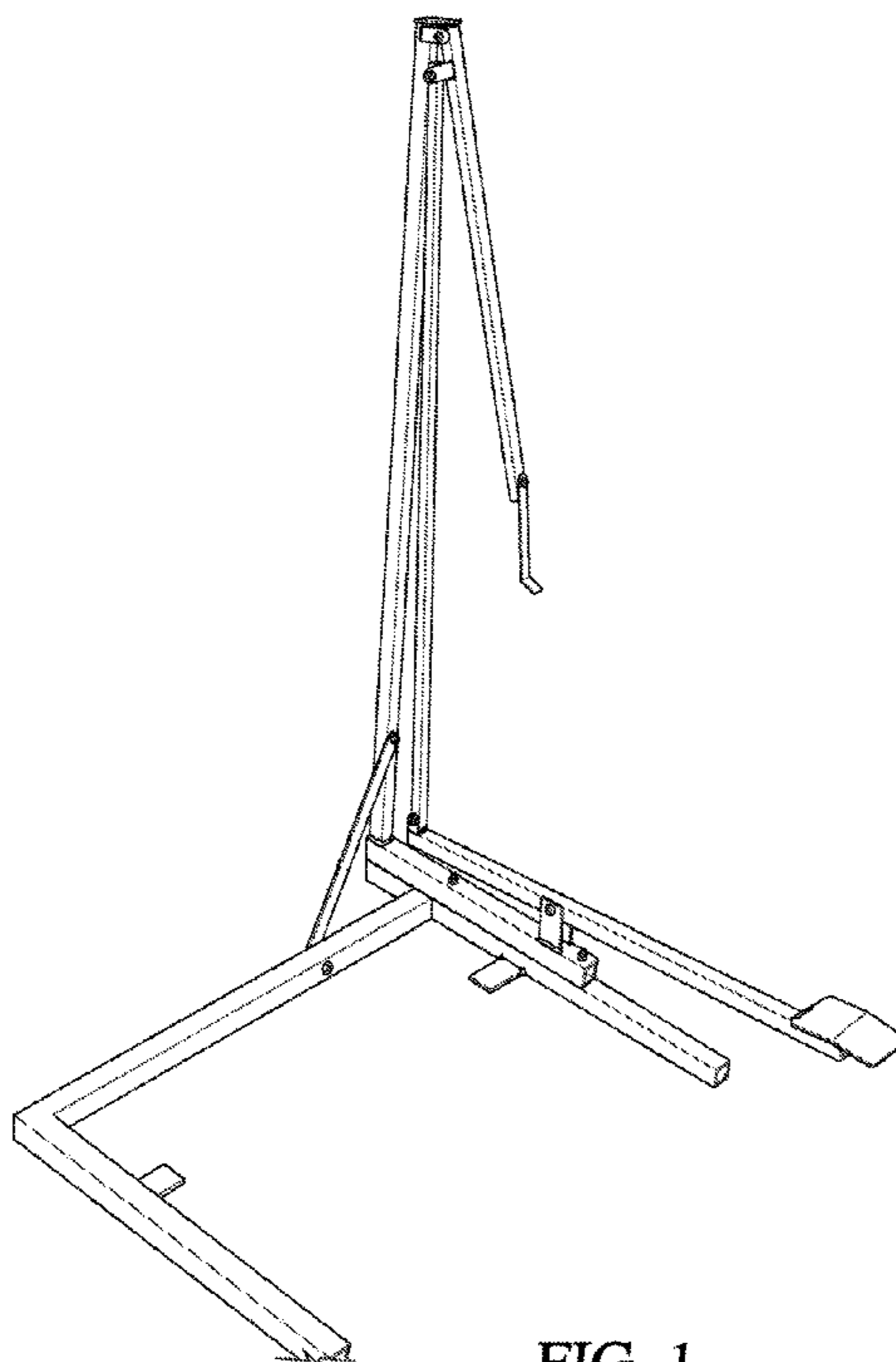


FIG. 1

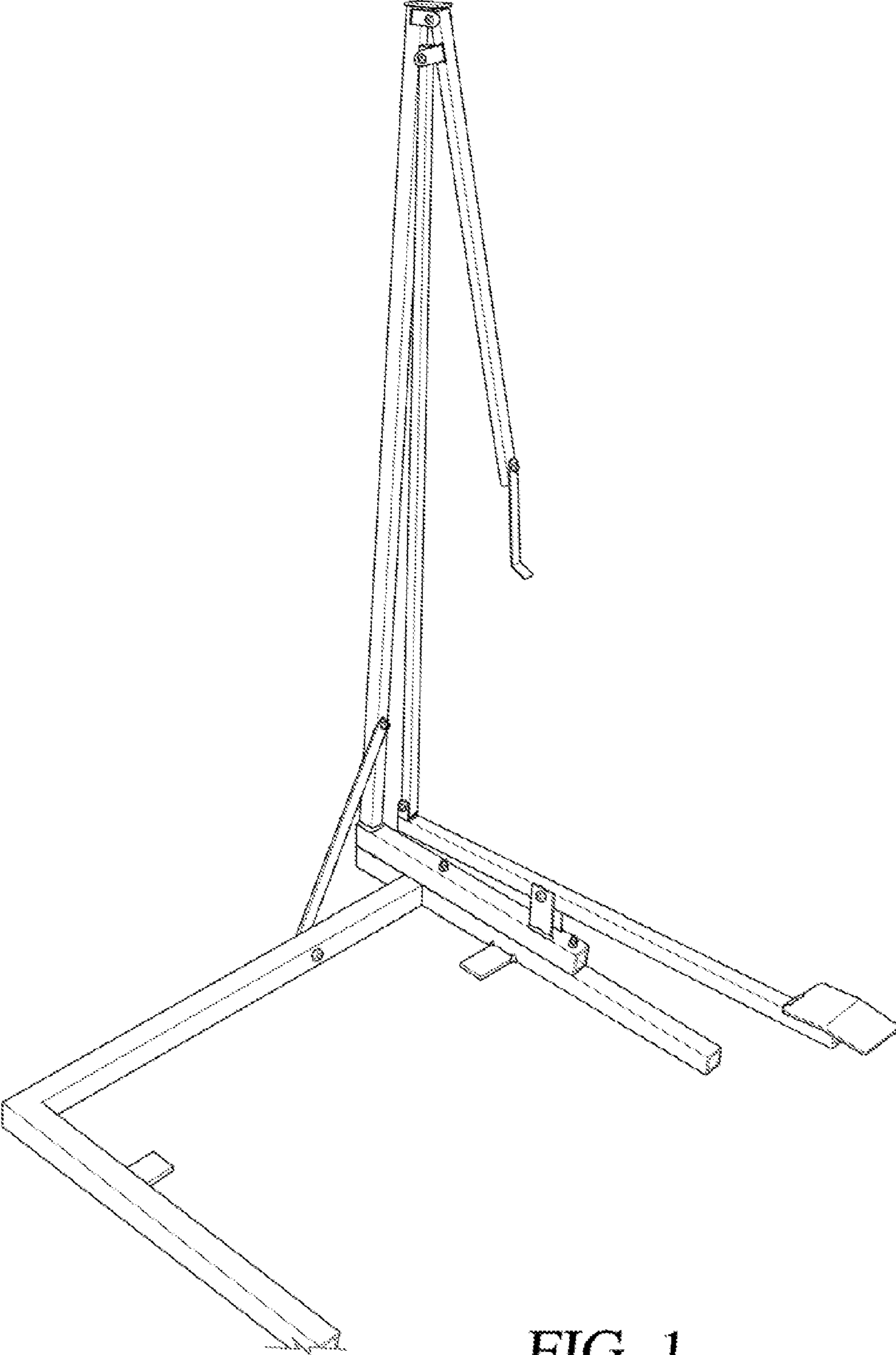


FIG. 1

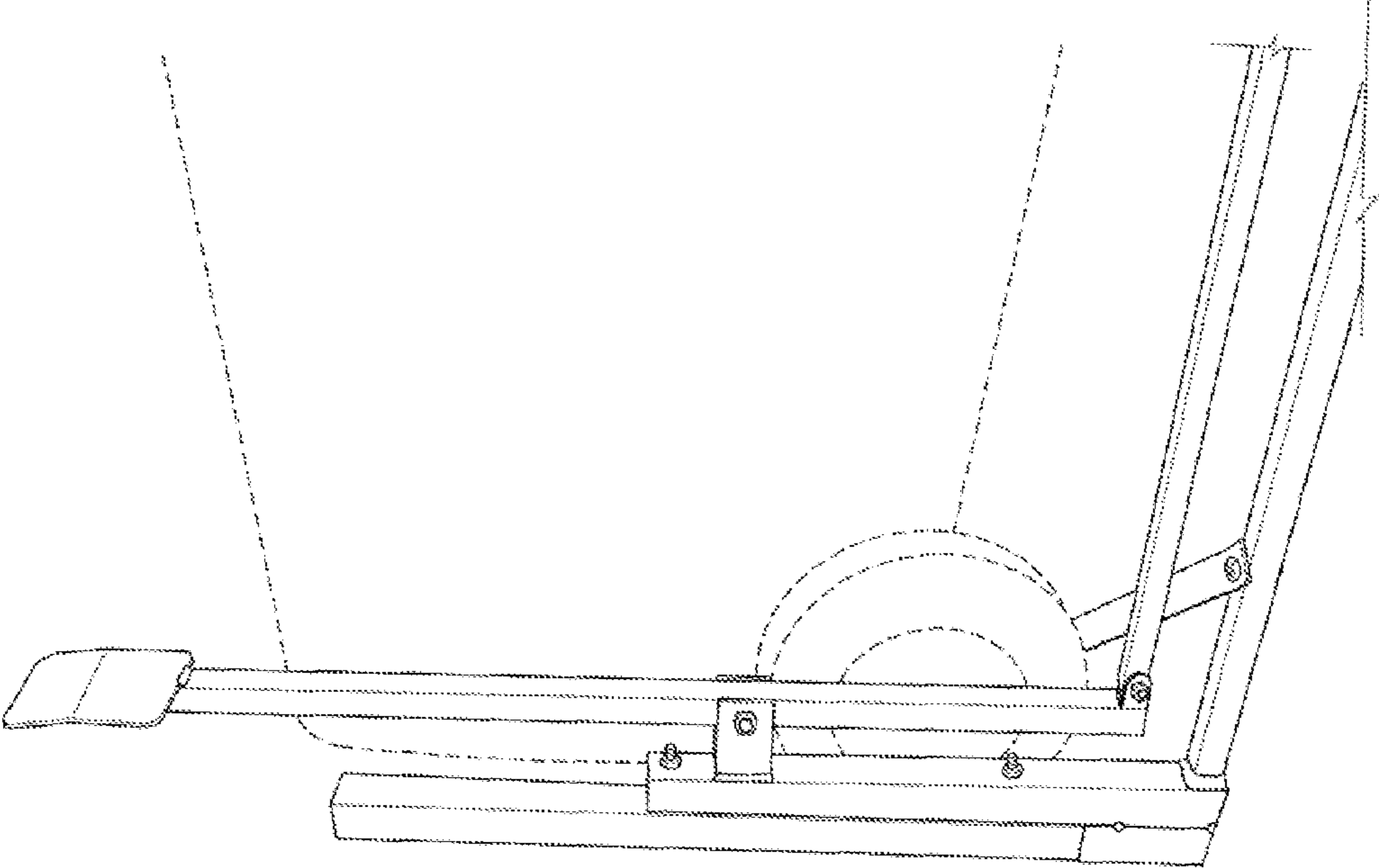


FIG. 2

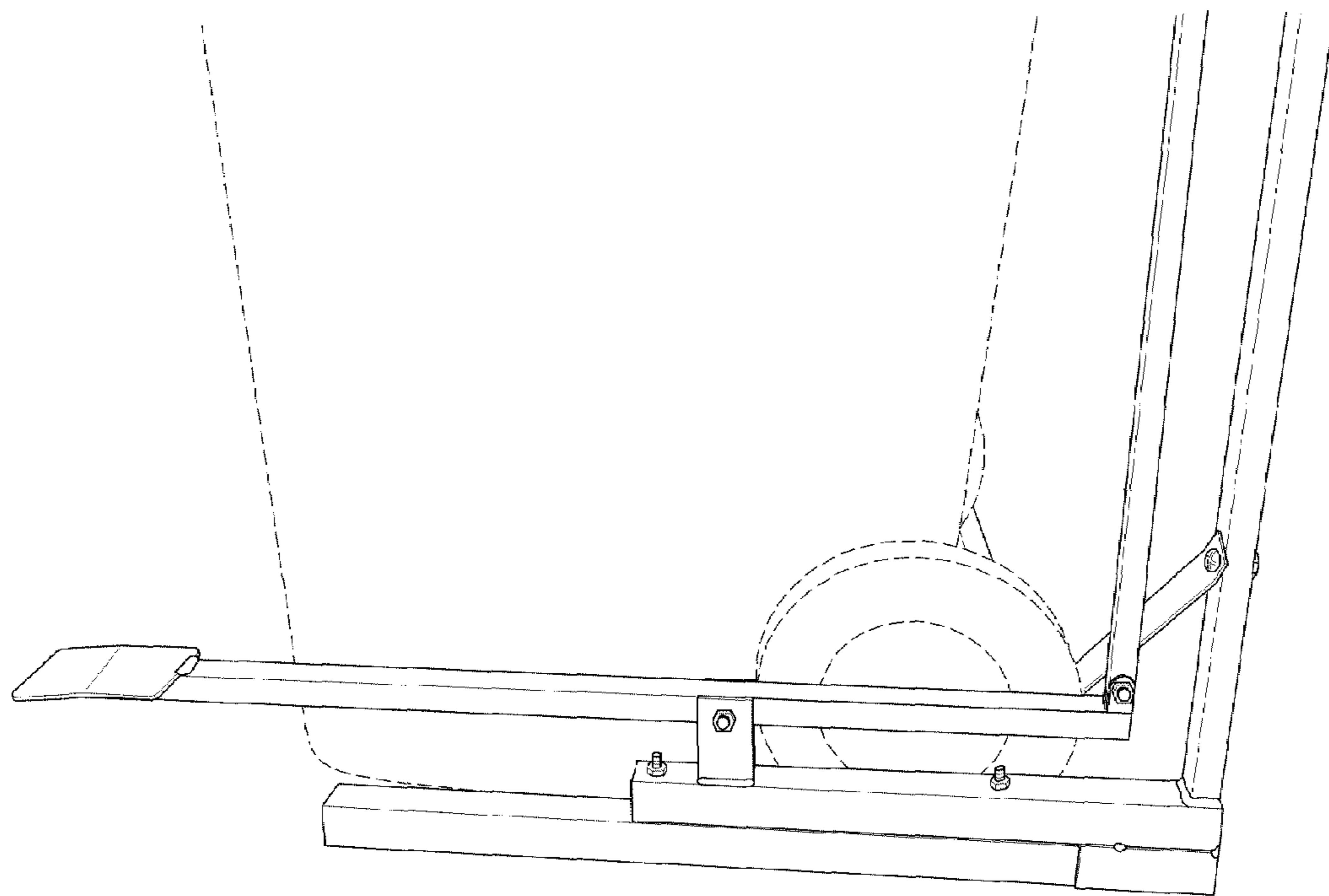


FIG. 3

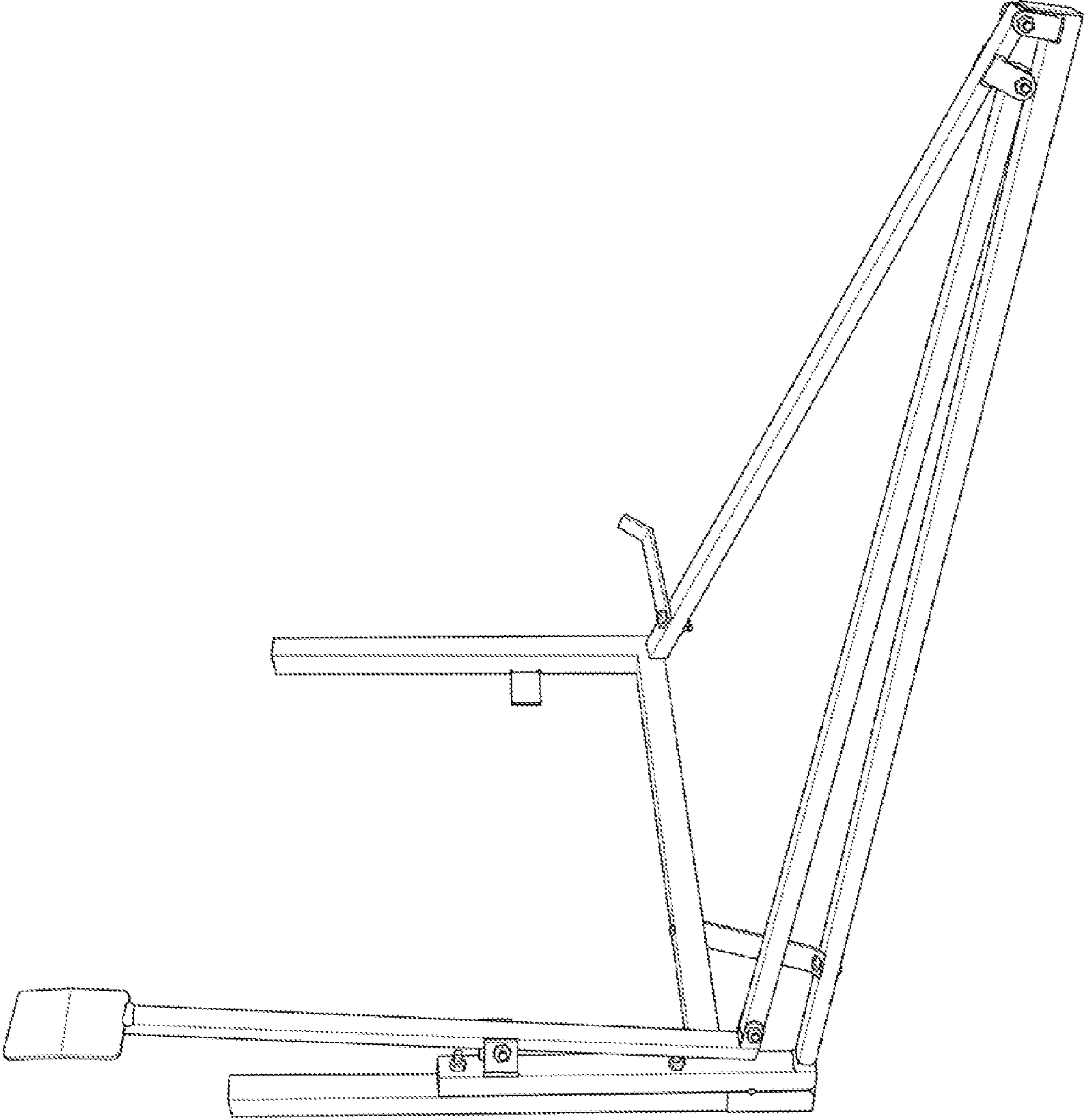


FIG. 4

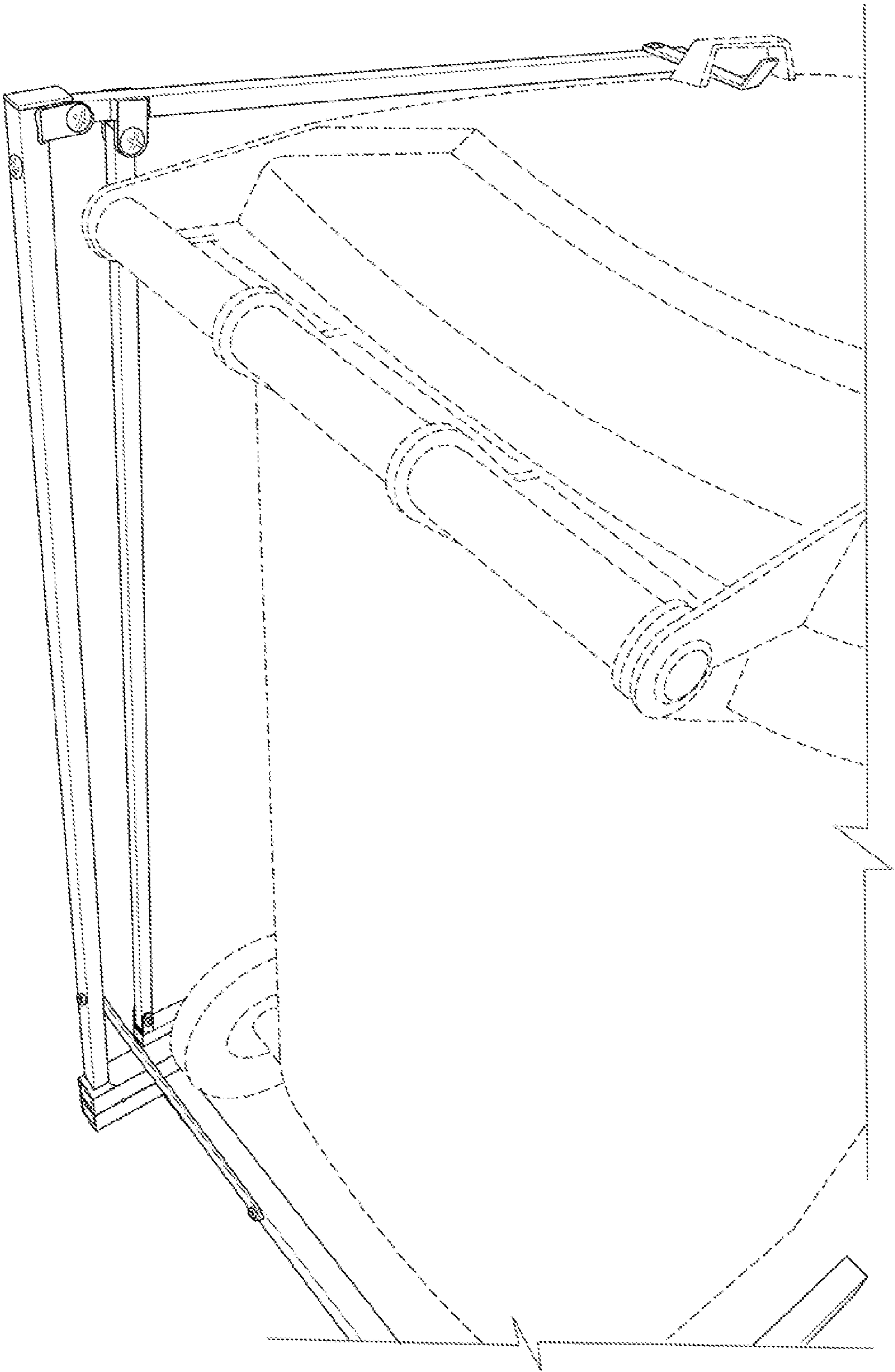


FIG. 5

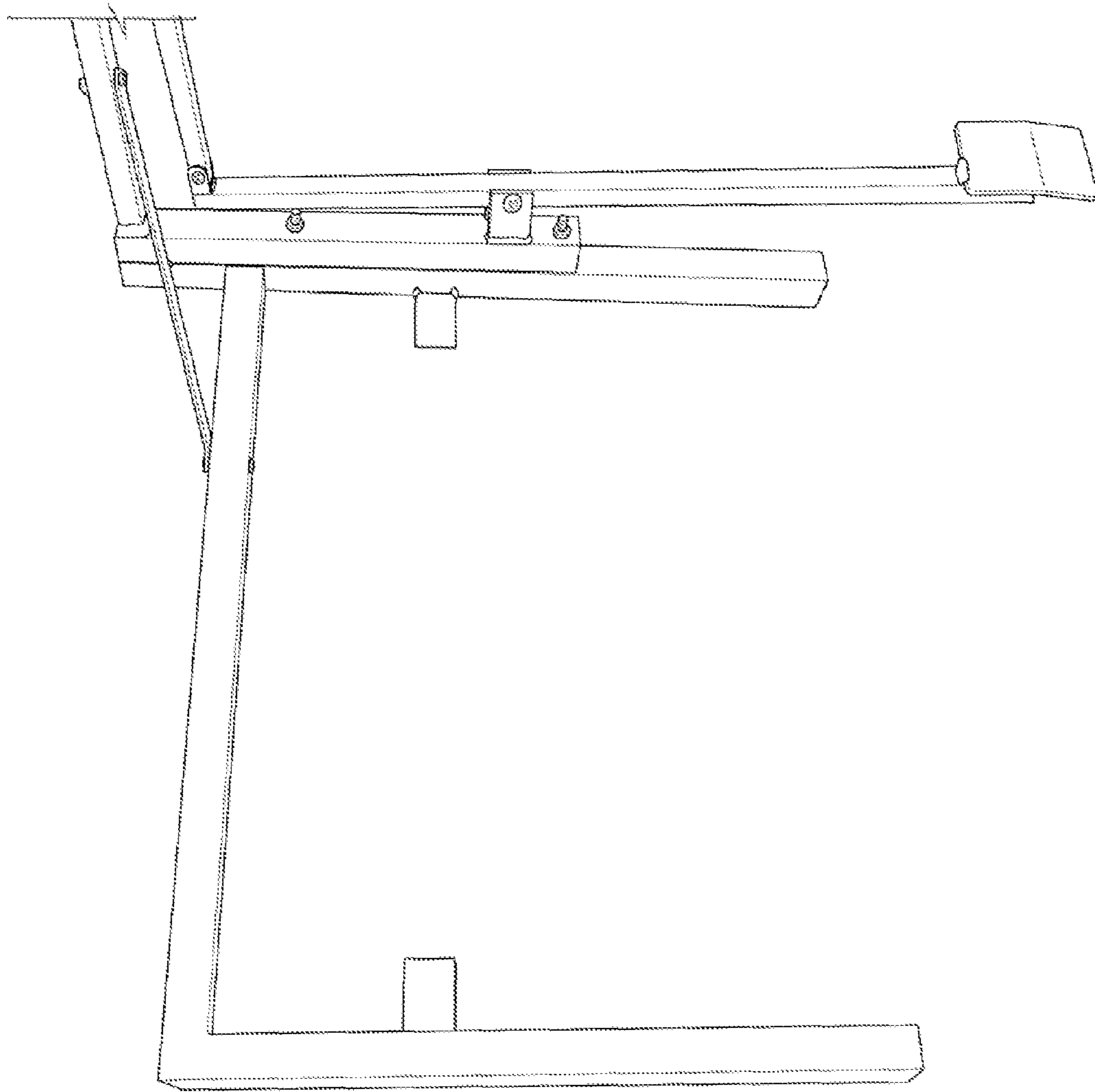


FIG. 6