



US00D583119S

(12) **United States Design Patent**
Sofy et al.

(10) **Patent No.:** **US D583,119 S**
(45) **Date of Patent:** **** Dec. 16, 2008**

(54) **SINK SAVER/DRYING RACK**
(75) Inventors: **Janet M. Sofy**, Troy, MI (US); **Michael W. Spake**, El Paso, TX (US)
(73) Assignee: **HMS Manufacturing Co.**, Troy, MI (US)

D239,245 S * 3/1976 Fletcher D32/57
D286,497 S * 11/1986 Daenen et al. D7/388
D363,577 S * 10/1995 Brightbill et al. D32/55
D418,646 S * 1/2000 Hampshire D32/55
D418,647 S * 1/2000 Snell D32/57
D439,716 S 3/2001 Wright

* cited by examiner

(**) Term: **14 Years**
(21) Appl. No.: **29/306,260**
(22) Filed: **Apr. 4, 2008**

Primary Examiner—Pamela J Burgess
(74) *Attorney, Agent, or Firm*—Dickinson Wright, PLLC

(51) **LOC (8) Cl.** **07-05**
(52) **U.S. Cl.** **D32/55; D32/58**
(58) **Field of Classification Search** D32/55–58;
D6/582–3, 586; 52/660; 4/637, 656, 581;
211/85.25, 41.2–41.4
See application file for complete search history.

(57) **CLAIM**

We claim the ornamental design for a sink saver/drying rack, as shown herein.

DESCRIPTION

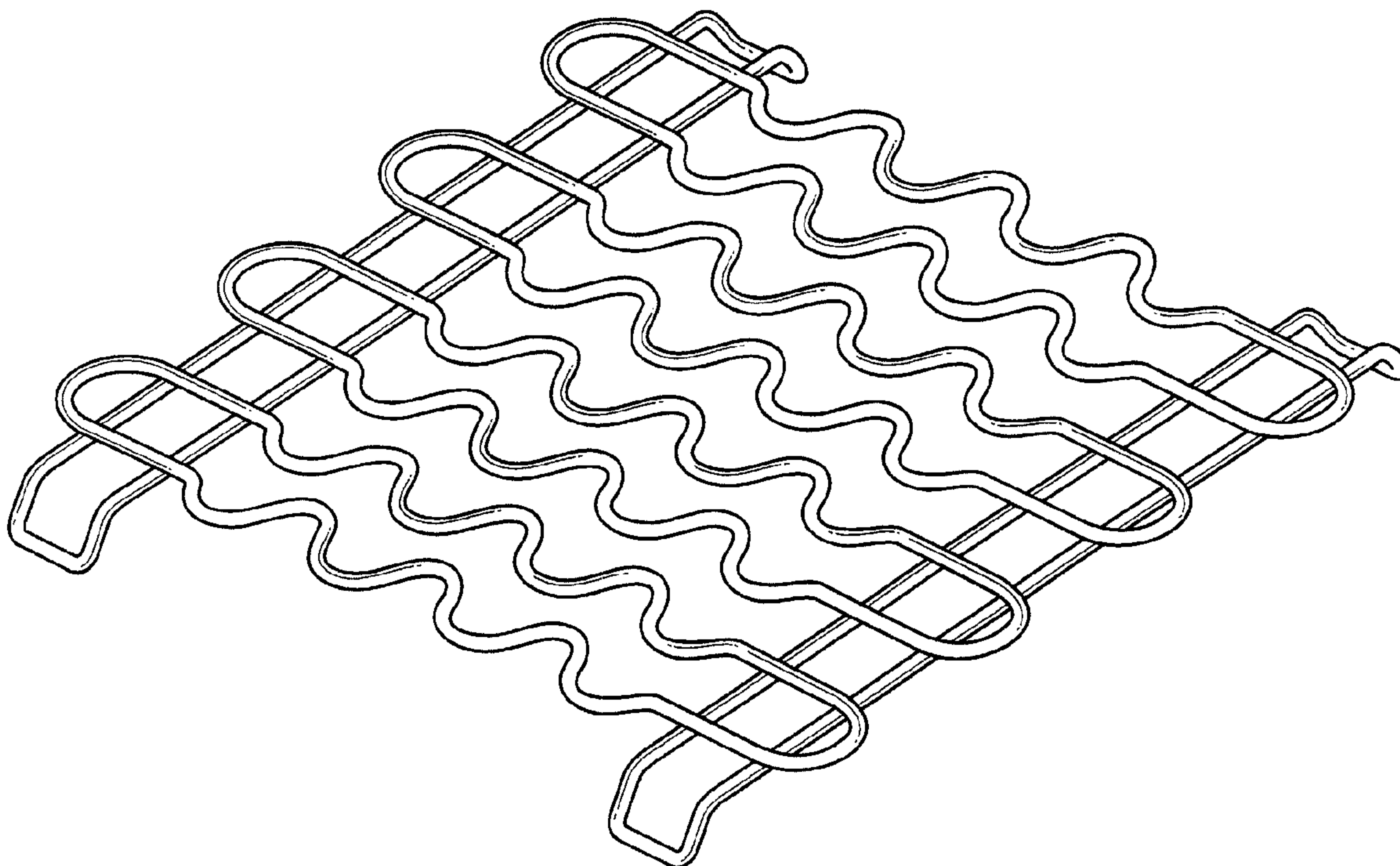
FIG. 1 is a perspective view of a sink saver/drying rack;
FIG. 2 is a top view of the sink saver/drying rack in FIG. 1;
FIG. 3 is a front view of the sink saver/drying rack in FIG. 1;
FIG. 4 is a back view of the sink saver/drying rack in FIG. 1;
FIG. 5 is a side view of the sink saver/drying rack in FIG. 1;
and,
FIG. 6 is a bottom view of the sink saver/drying rack in FIG. 1.

(56) **References Cited**

U.S. PATENT DOCUMENTS

D105,765 S * 8/1937 Pratt D6/586
D158,712 S * 5/1950 Breneman D6/583
D164,219 S * 8/1951 Caldwell D32/57
D187,431 S * 3/1960 Christoffersen D32/55
D187,639 S * 4/1960 Timmons D7/388

1 Claim, 3 Drawing Sheets



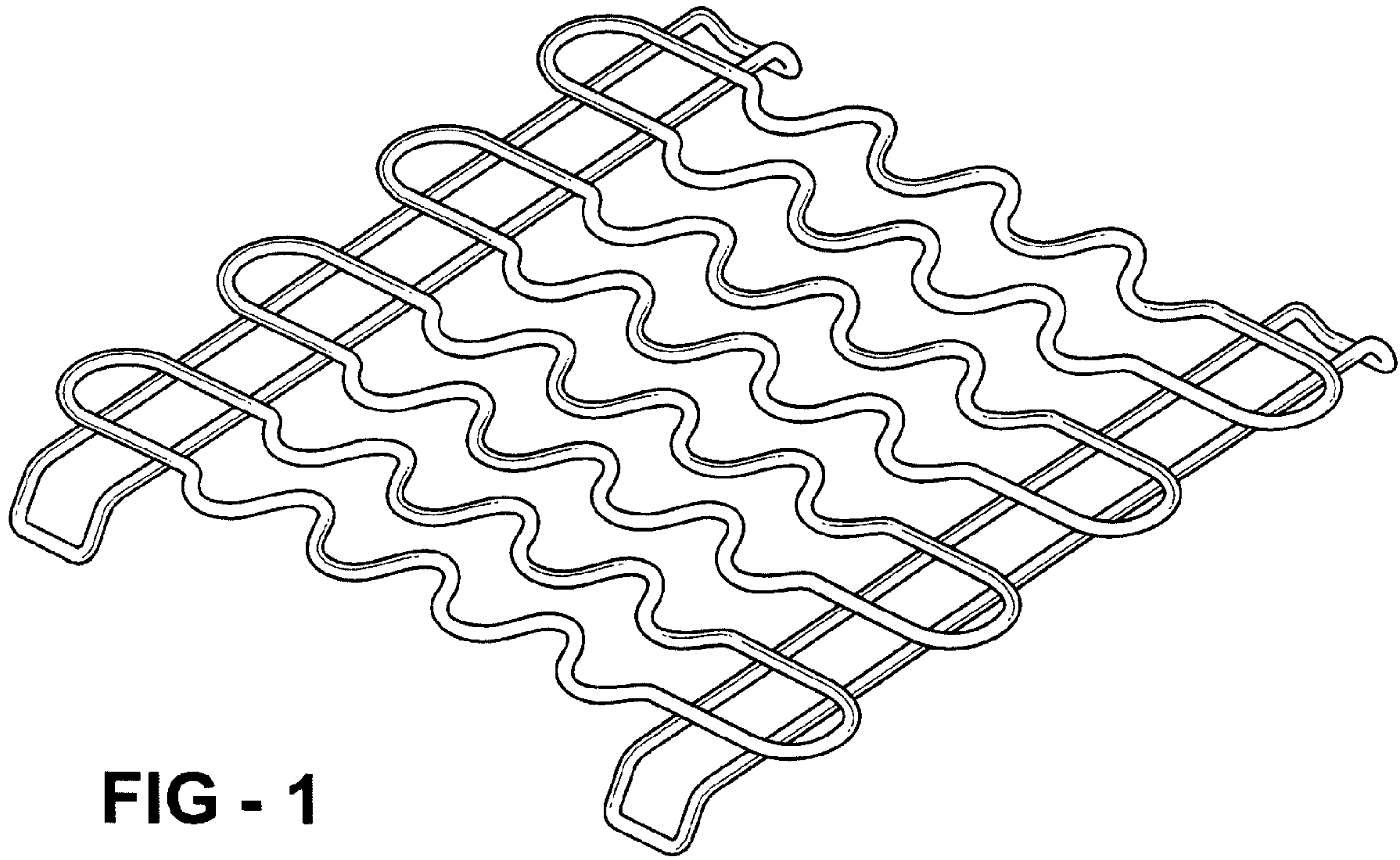


FIG - 1

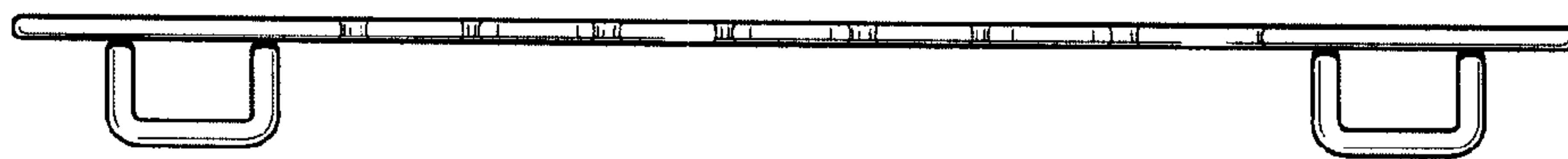


FIG - 3



FIG - 4

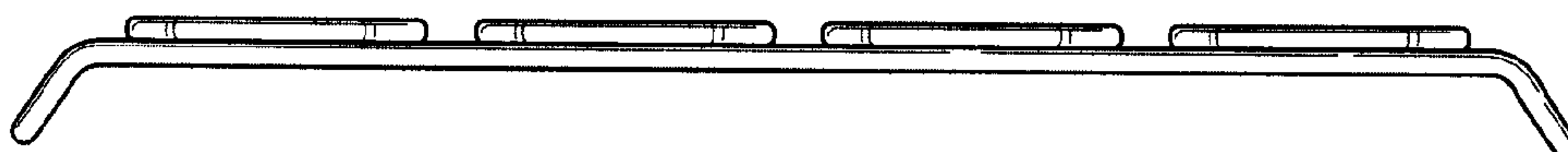


FIG - 5

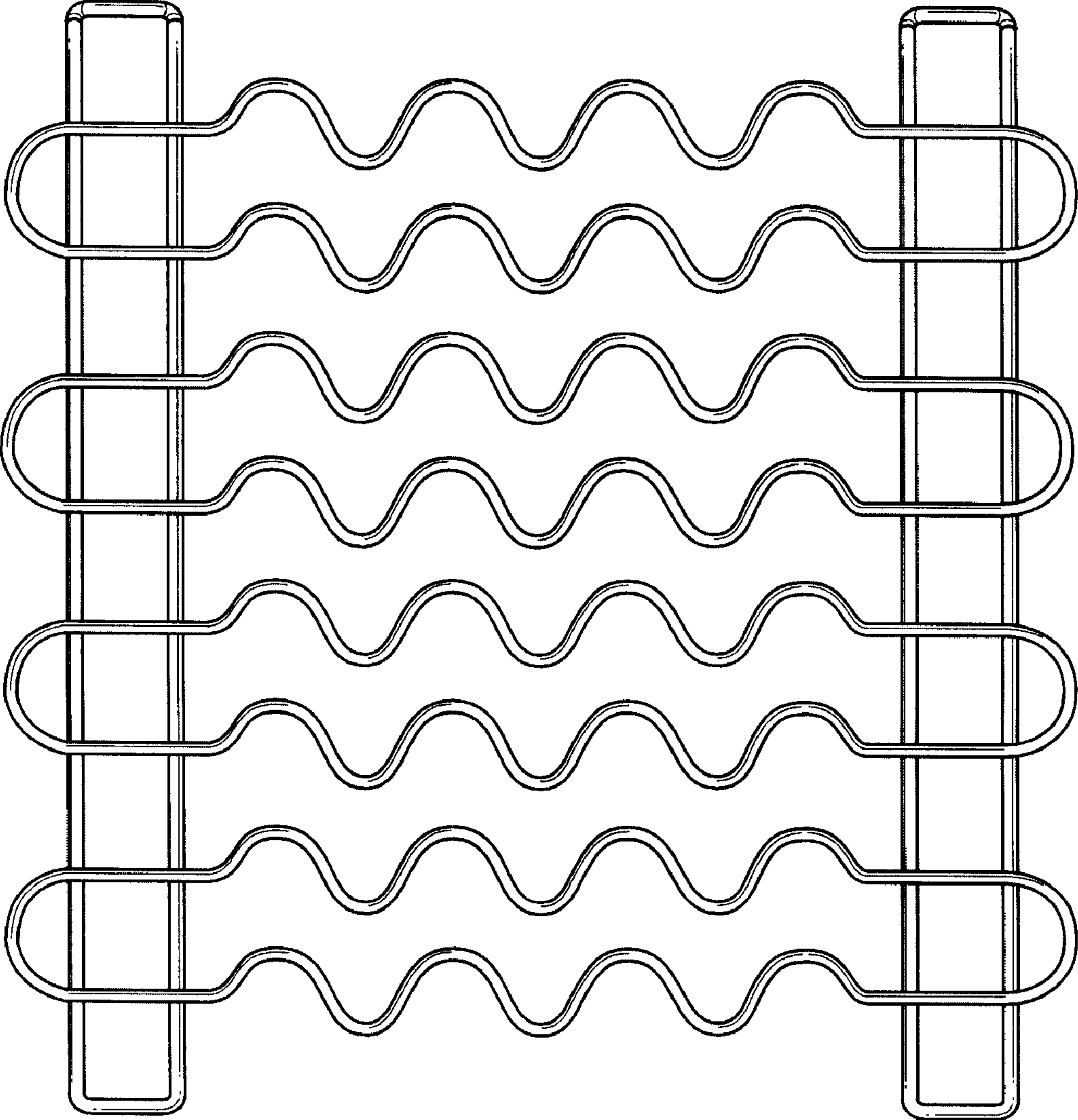


FIG - 2

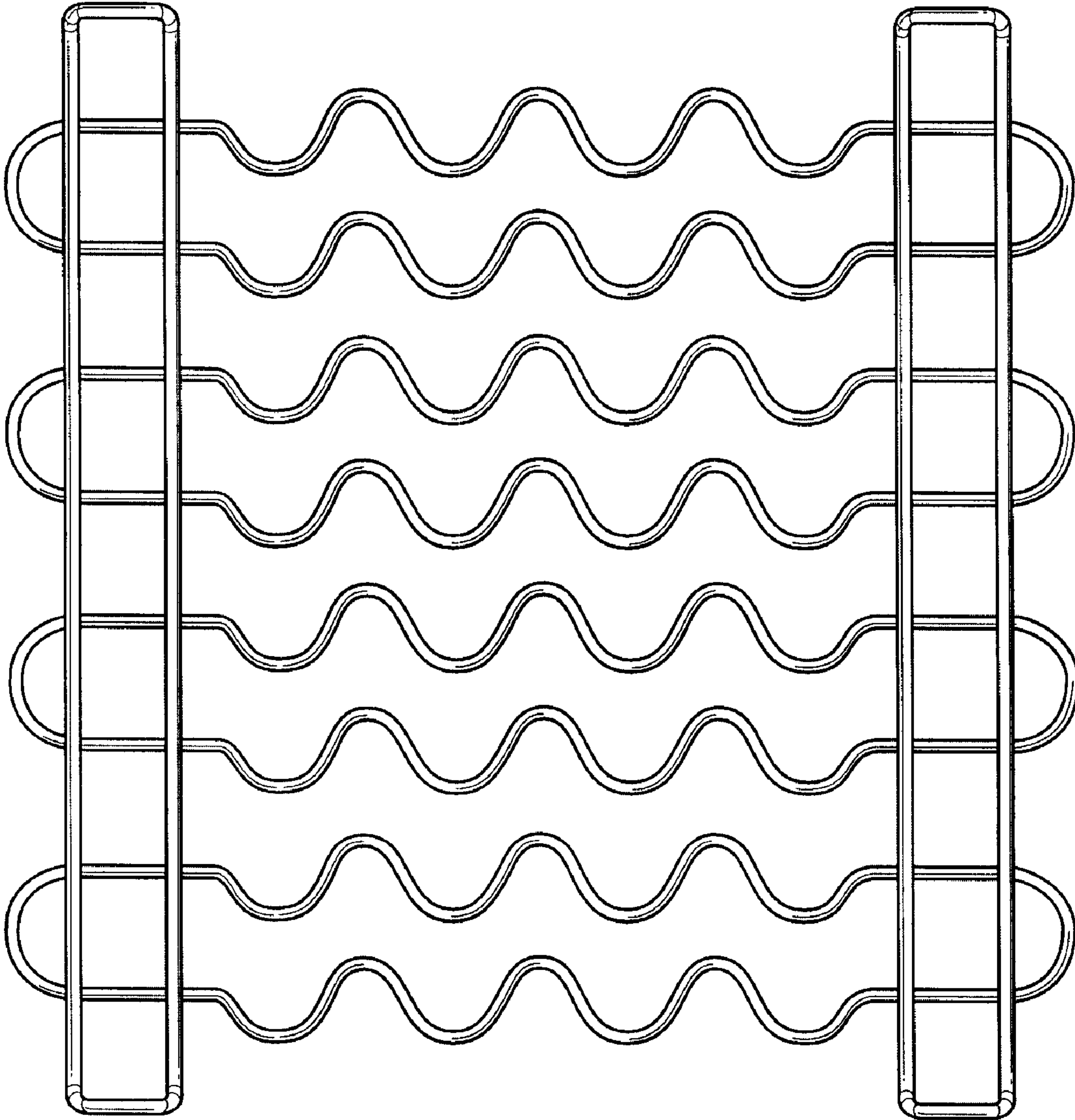


FIG - 6