



US00D583118S

(12) **United States Design Patent**  
**Snyder**

(10) **Patent No.:** **US D583,118 S**  
(45) **Date of Patent:** **\*\* Dec. 16, 2008**

(54) **FLOOR CLEANER**

(75) Inventor: **David Alan Snyder**, West Chicago, IL  
(US)

(73) Assignee: **BonaKemi USA, Inc.**, Aurora, CO (US)

(\*\*) Term: **14 Years**

(21) Appl. No.: **29/284,305**

(22) Filed: **Sep. 5, 2007**

(51) **LOC (8) Cl.** ..... **15-05**

(52) **U.S. Cl.** ..... **D32/51**

(58) **Field of Classification Search** ..... D32/50-52,  
D32/40, 22; 134/134-136; 15/159.1, 114-115,  
15/118, 323, 329, 344, 350, 393, 398, 400,  
15/412, 361

See application file for complete search history.

(56) **References Cited**

**U.S. PATENT DOCUMENTS**

5,455,980	A *	10/1995	Buchanan	.....	15/228
D391,715	S *	3/1998	Irwin et al.	.....	D32/50
D401,703	S *	11/1998	Beechuk et al.	.....	D32/45
6,045,622	A *	4/2000	Holt et al.	.....	134/6
D458,935	S *	6/2002	Hiroki	.....	D14/436
D472,401	S *	4/2003	Oei et al.	.....	D6/434
6,588,045	B2 *	7/2003	Fernandez	.....	15/119.2
6,601,261	B1 *	8/2003	Holt et al.	.....	15/228
D497,699	S *	10/2004	Chi-Hsiang et al.	.....	D32/45
6,871,372	B2 *	3/2005	Vosbikian et al.	.....	15/115
D505,762	S *	5/2005	Lalanne et al.	.....	D32/45
D514,267	S *	1/2006	Tsai	.....	D32/45

\* cited by examiner

*Primary Examiner*—Pamela J Burgess

(74) *Attorney, Agent, or Firm*—Klaas, Law, O’Meara & Malkin, P.C.

(57) **CLAIM**

The ornamental design of a floor cleaner, as shown and described.

**DESCRIPTION**

FIG. 1 is a top, front, right isometric view of a floor cleaner showing our new design;

FIG. 2 is a front elevation view thereof;

FIG. 3 is a rear elevation view thereof;

FIG. 4 is a left elevation view thereof;

FIG. 5 is a right elevation view thereof;

FIG. 6 is a top plan view thereof;

FIG. 7 is a bottom plan view thereof;

FIG. 8 is a top, front, right isometric view of a second embodiment of a floor cleaner showing our new design;

FIG. 9 is a front elevation view thereof;

FIG. 10 is a rear elevation view thereof;

FIG. 11 is a left elevation view thereof;

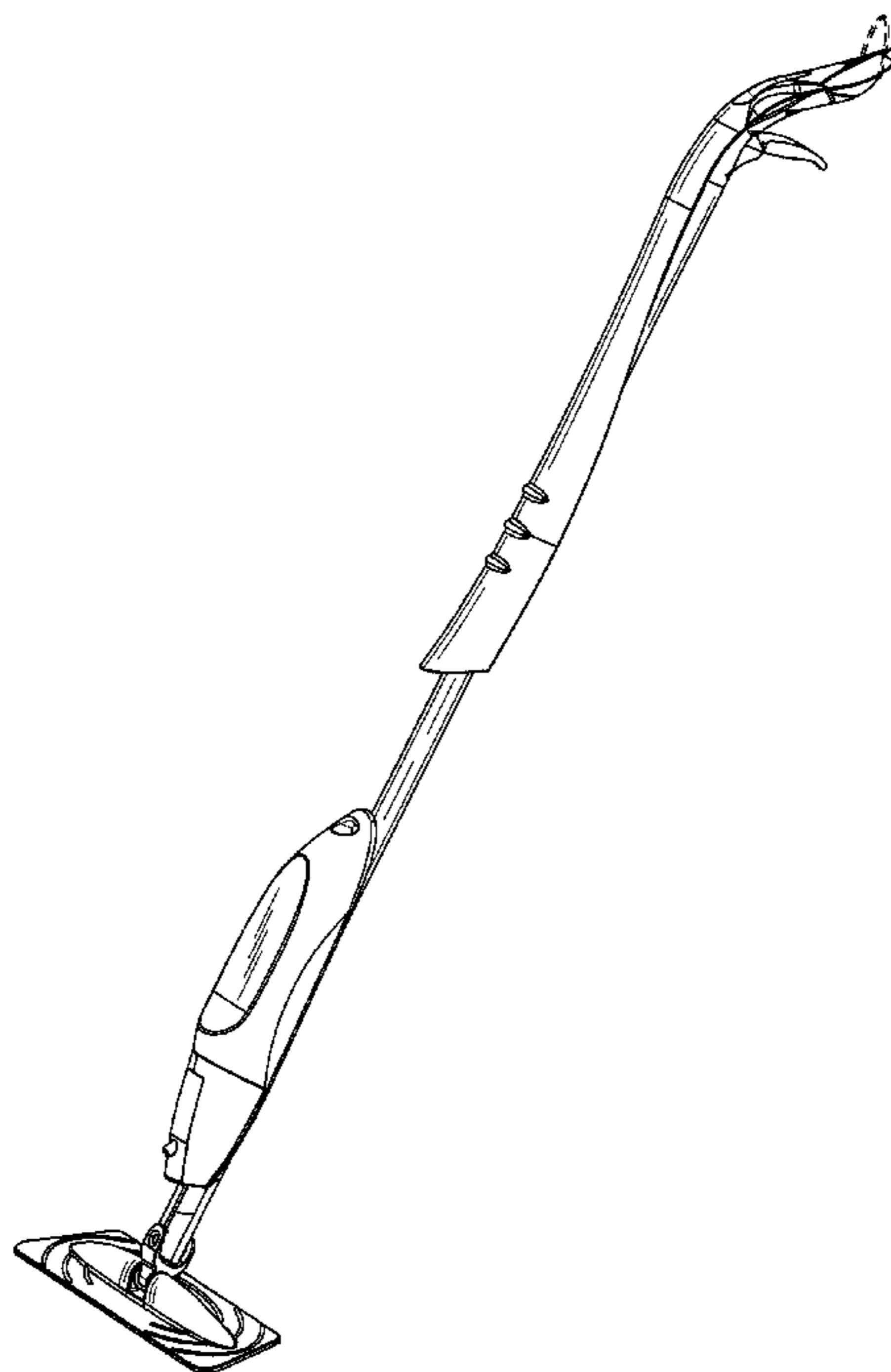
FIG. 12 is a right elevation view thereof;

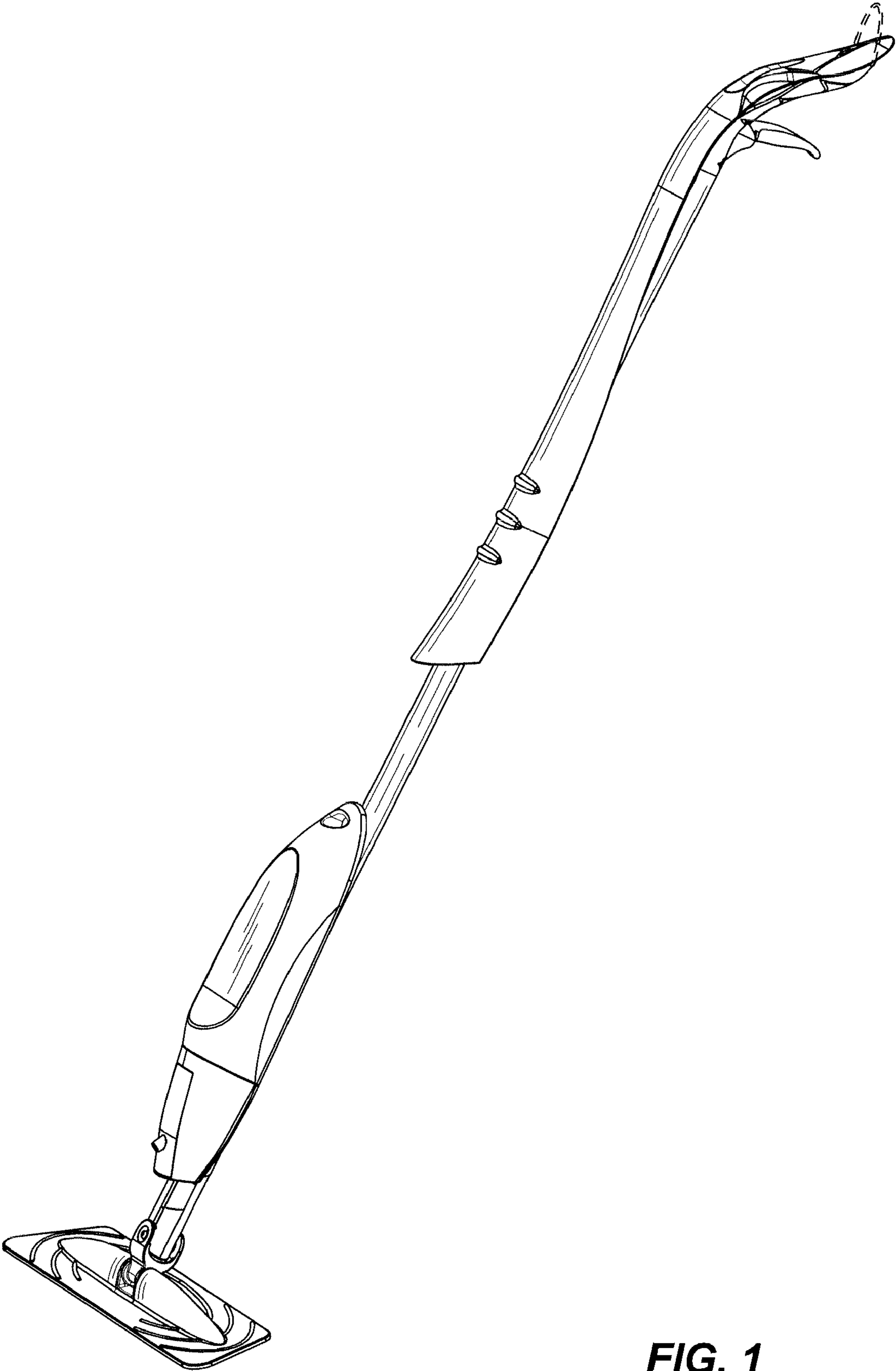
FIG. 13 is a top plan view thereof; and,

FIG. 14 is a bottom plan view thereof.

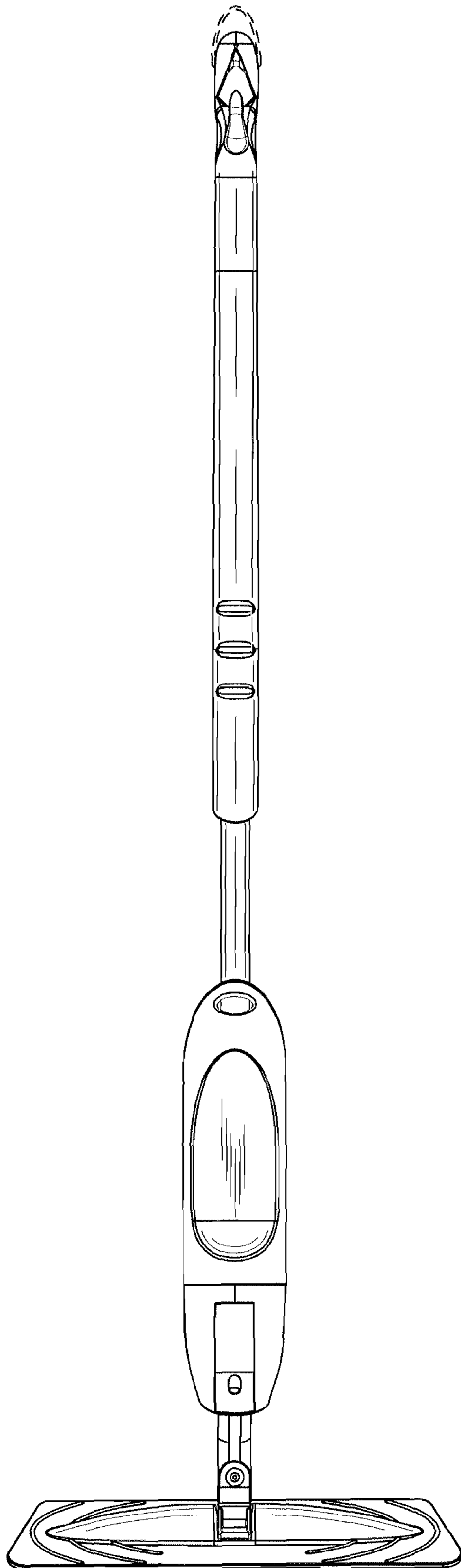
Features of the drawing figures shown in dashed lines are for illustrative purposes only and form no part of the claimed design of the subject embodiment.

**1 Claim, 12 Drawing Sheets**

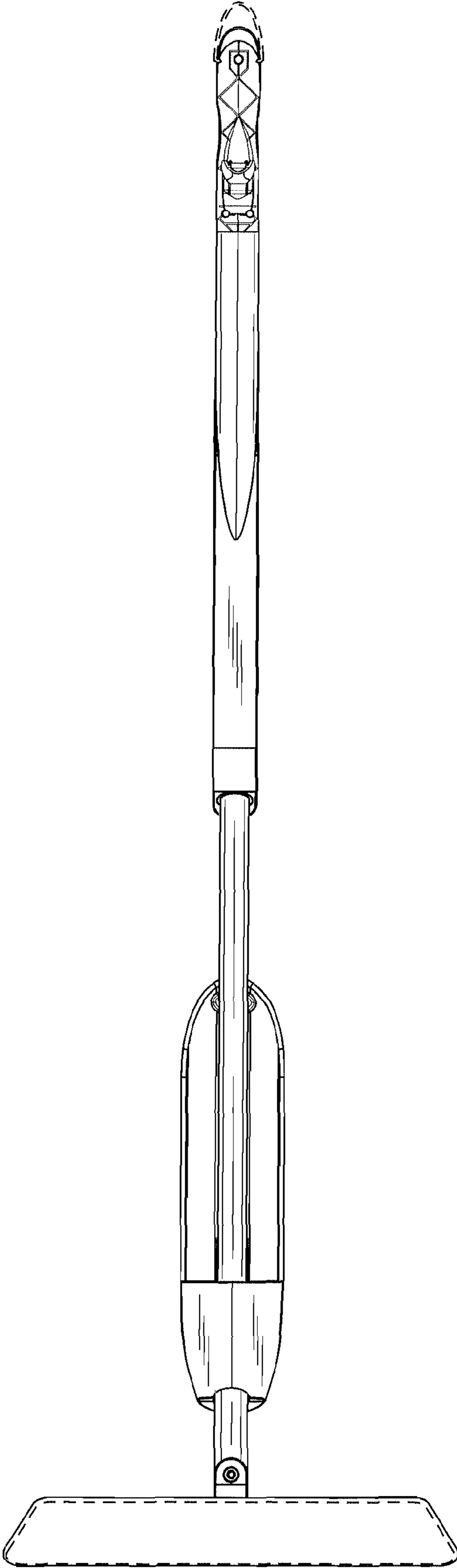




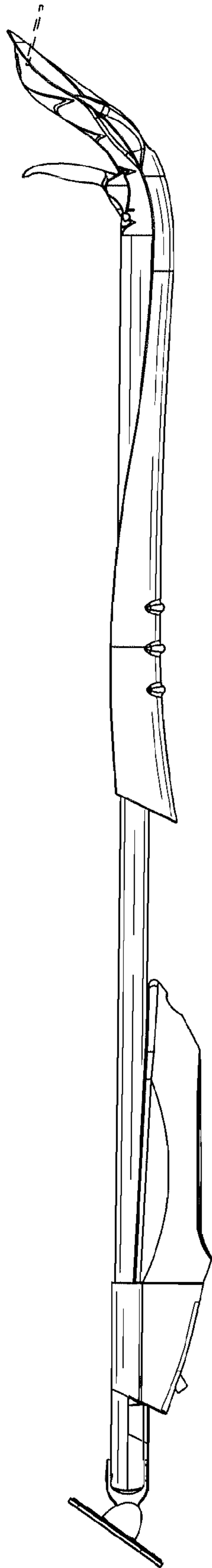
**FIG. 1**



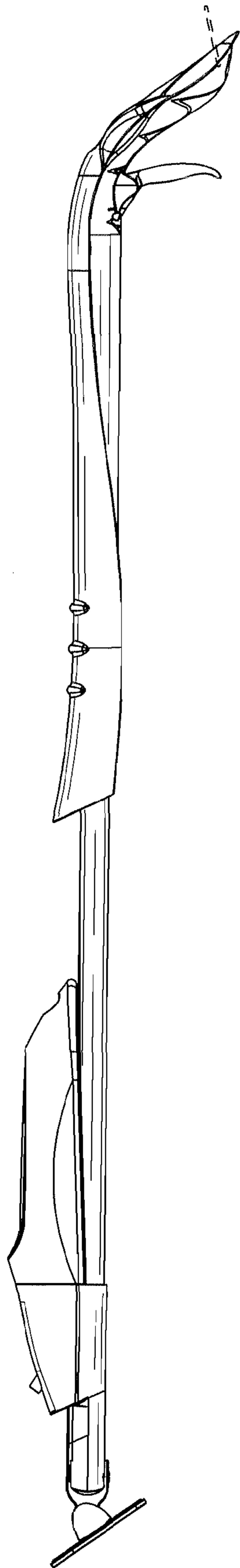
**FIG. 2**



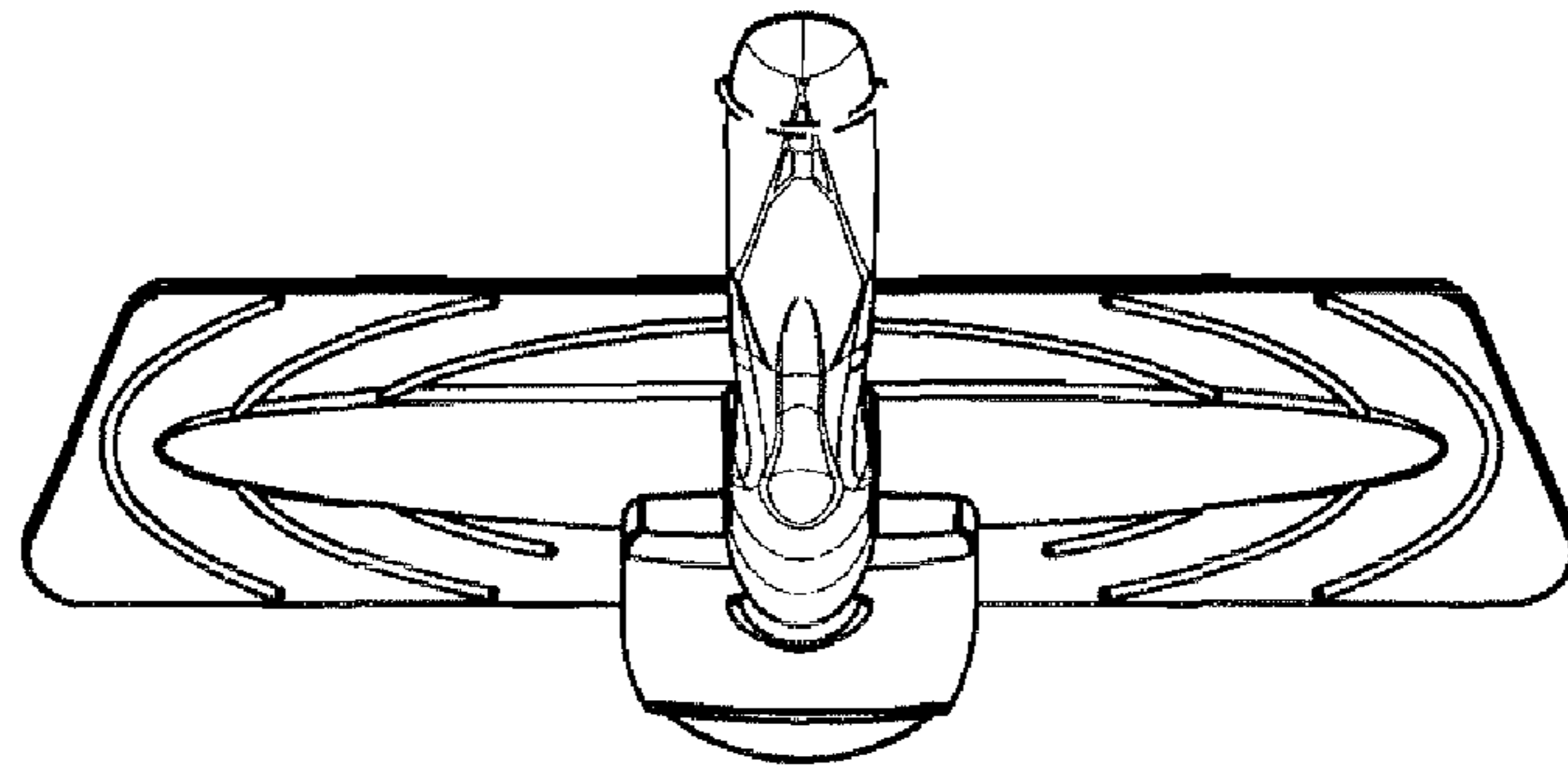
**FIG. 3**



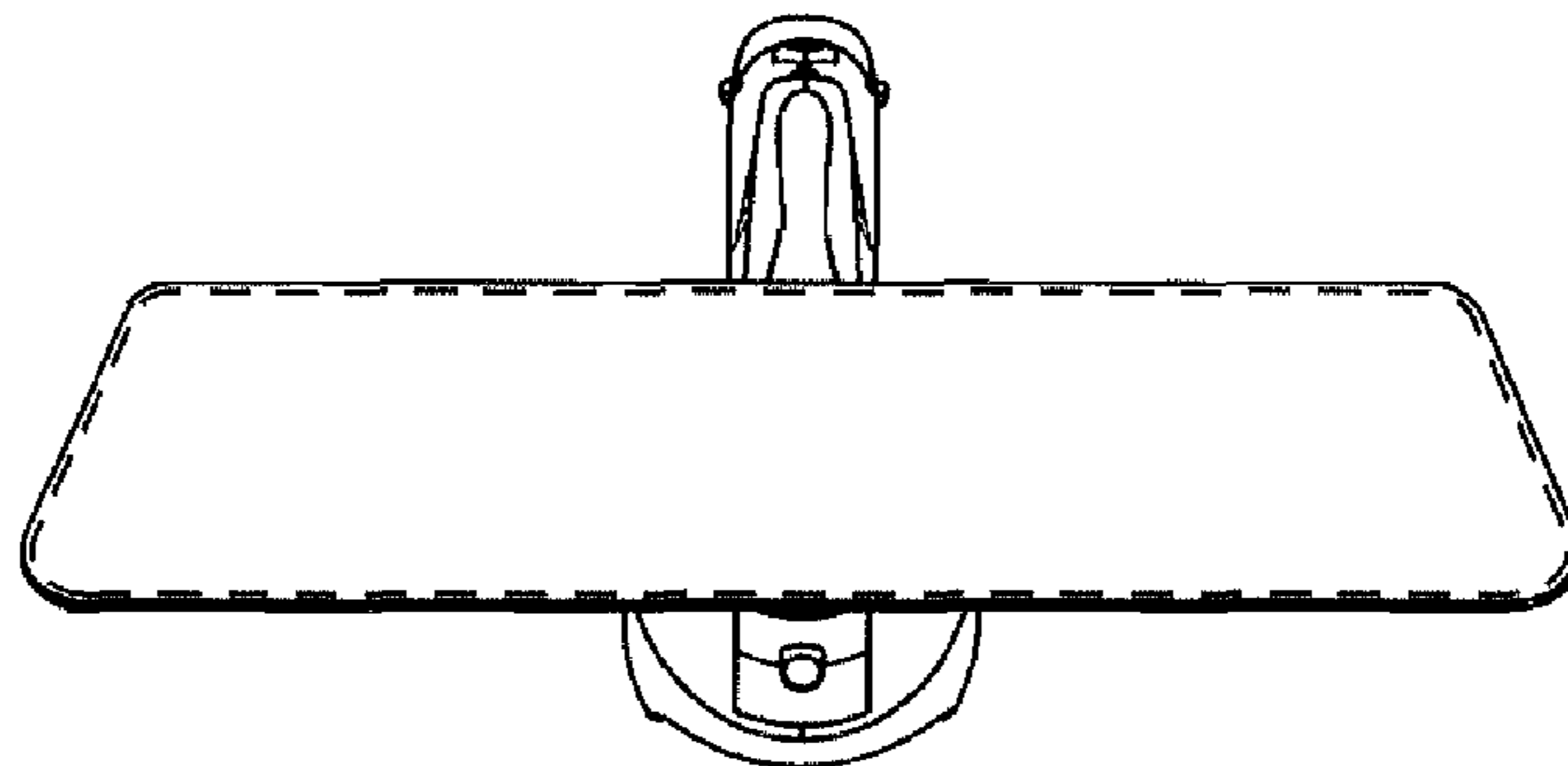
**FIG. 4**



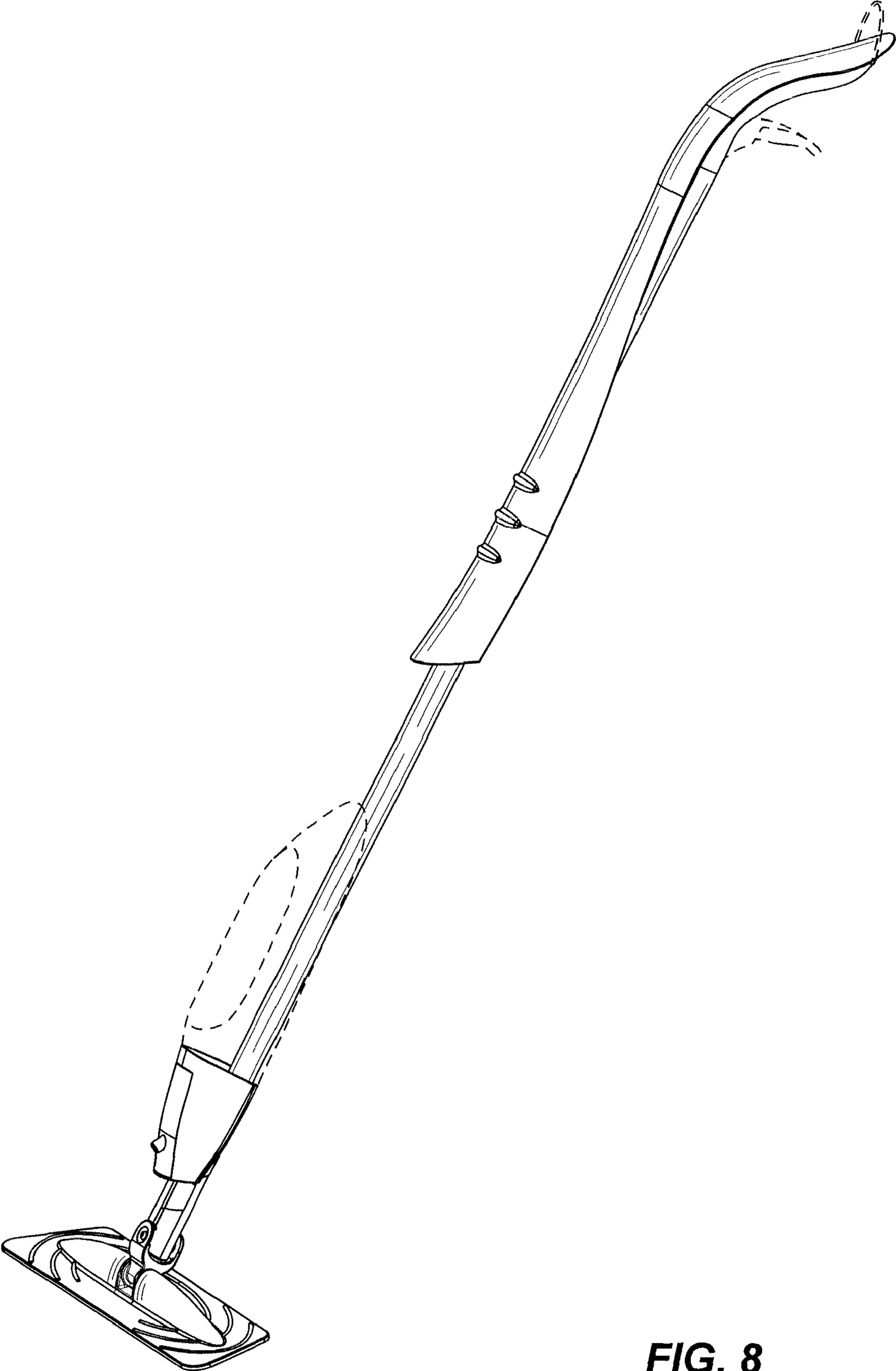
**FIG. 5**



**FIG. 6**

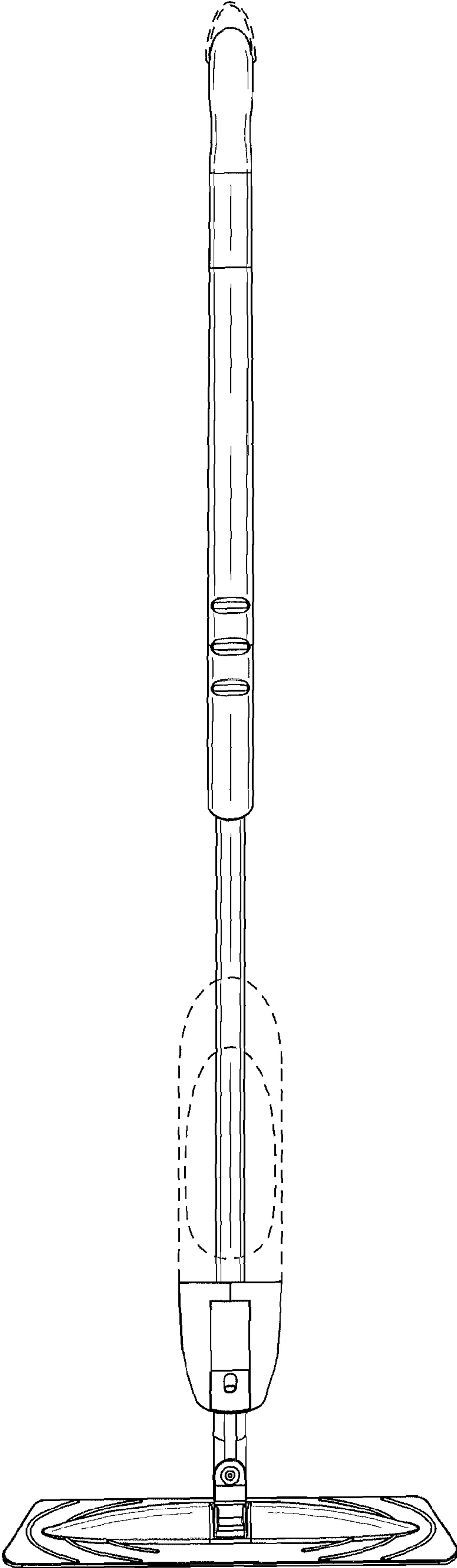


**FIG. 7**

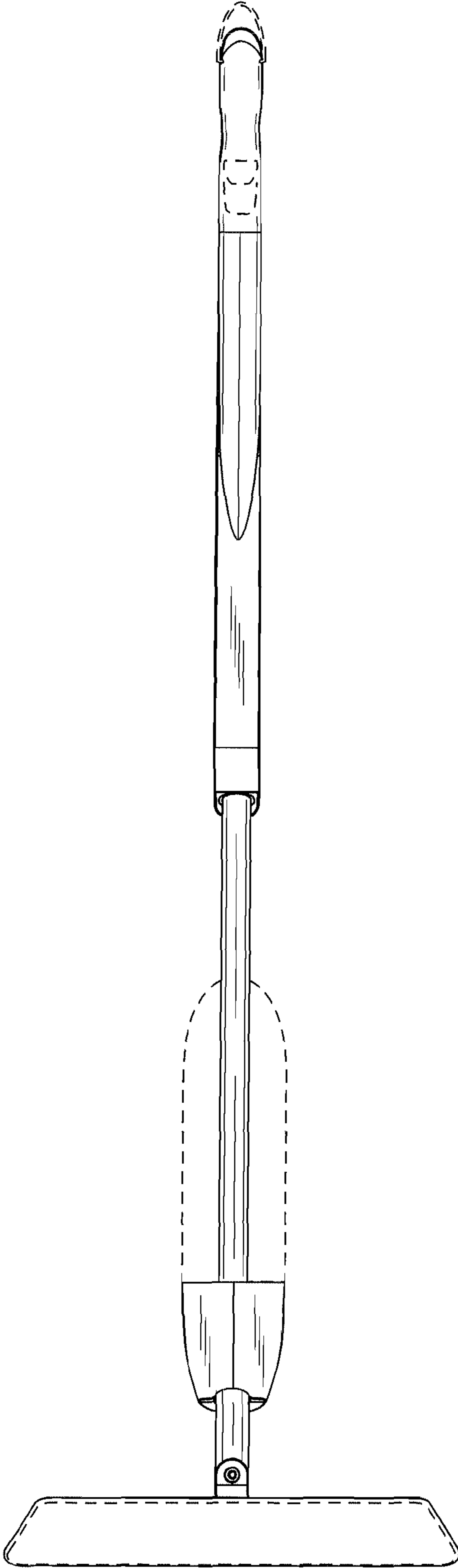


**FIG. 8**

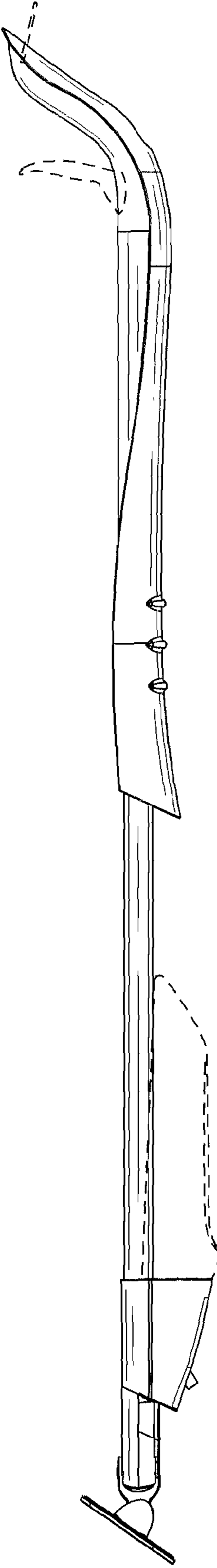




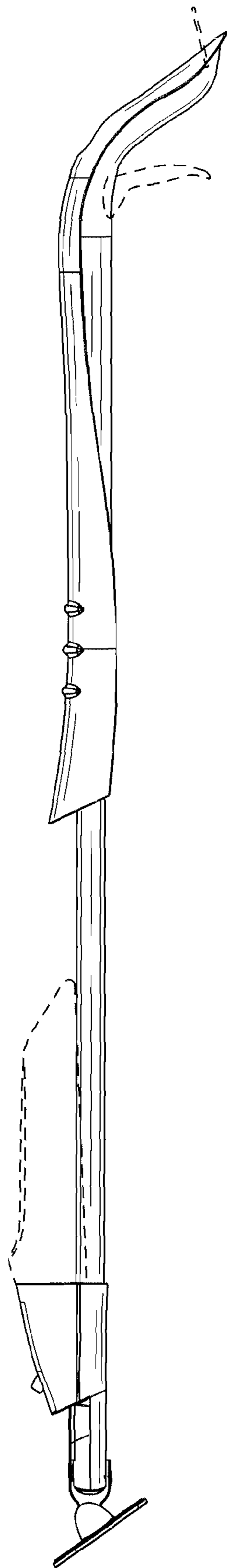
**FIG. 9**



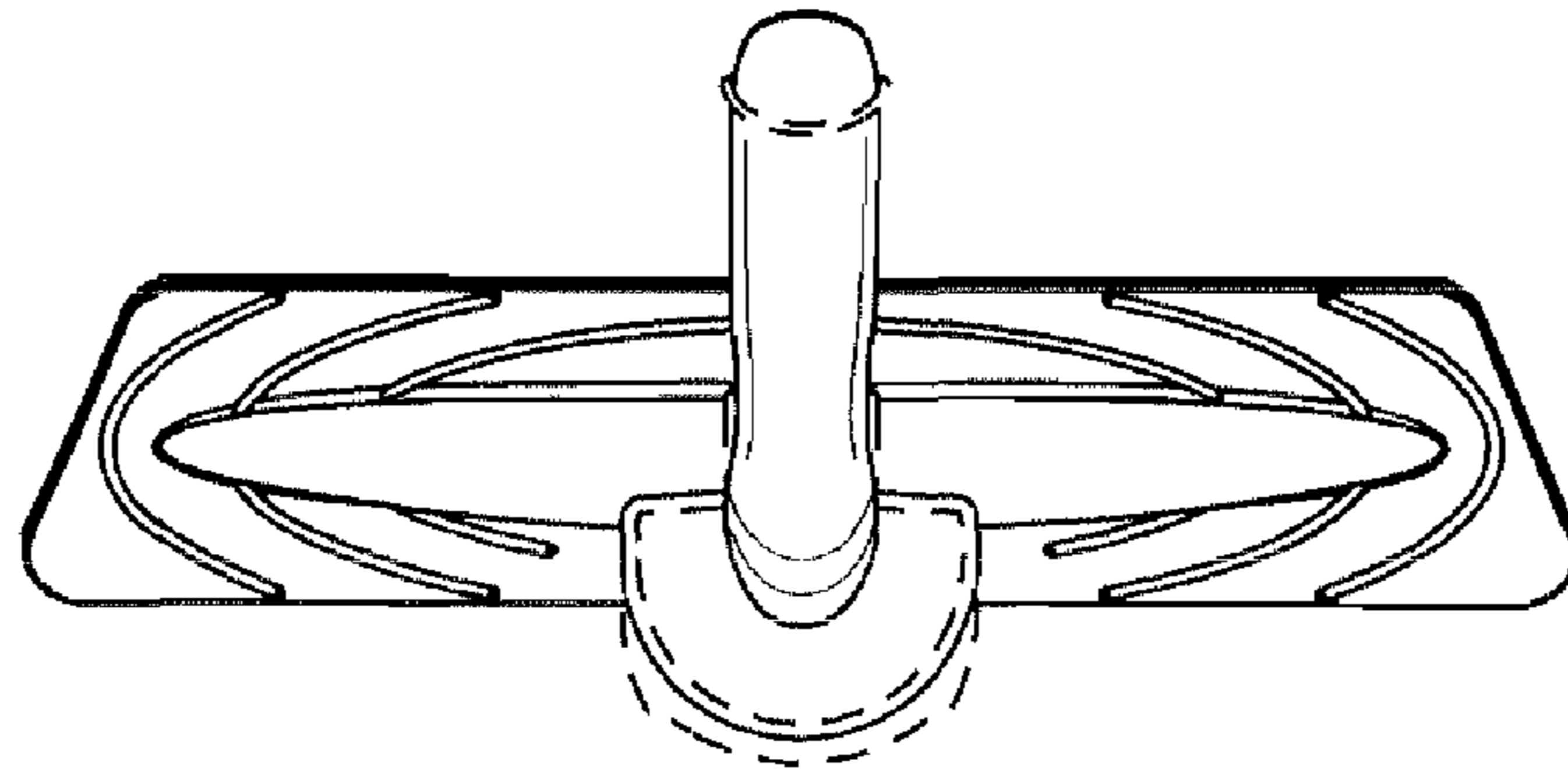
**FIG. 10**



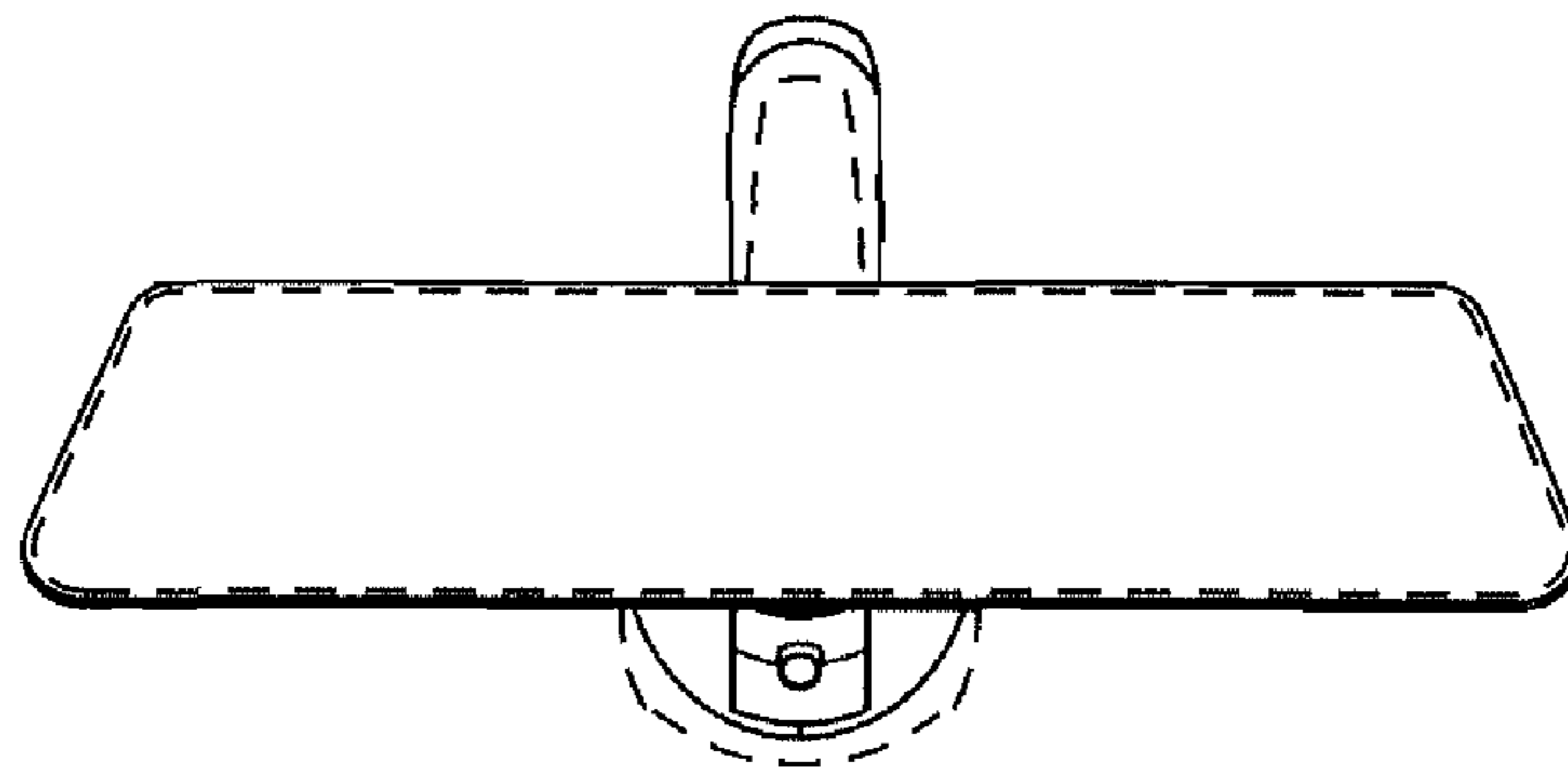
**FIG. 11**



**FIG. 12**



**FIG. 13**



**FIG. 14**