



US00D583111S

(12) **United States Design Patent**  
**Molina-Justin**

(10) **Patent No.:** **US D583,111 S**  
(45) **Date of Patent:** **\*\* Dec. 16, 2008**

(54) **PET FEEDER**

(76) Inventor: **Mari Molina-Justin**, 2020 N. Central Ave., #690, Phoenix, AZ (US) 85004

(\*\*) Term: **14 Years**

(21) Appl. No.: **29/268,927**

(22) Filed: **Nov. 16, 2006**

(51) **LOC (8) Cl.** ..... **30-03**

(52) **U.S. Cl.** ..... **D30/129; D30/125**

(58) **Field of Classification Search** ..... D30/121, D30/125, 129, 130, 132, 133; 119/61.5, 119/51.01, 61.56, 51.03, 59, 62, 63, 51.5, 119/57.8, 74, 61.54, 61.55; D22/122; D7/507, D7/505, 509, 536, 533, 519, 394, 514, 520, D7/512, 531, 532, 535, 319, 515, 518, 521, D7/613, 302, 516, 506, 529; 220/669, 592.16, 220/592.17, 70, 630, 23.83, 713, 719, 710.5, 220/560, 715; D24/122; D9/555, 607, 681, D9/520; 215/387, 393, DIG. 7, 10, 12.2, 215/396, 398; D34/7, 9; 206/520; 248/346.1  
See application file for complete search history.

(56) **References Cited**

**U.S. PATENT DOCUMENTS**

D19,595	S	*	1/1890	Haviland	.....	D7/536
503,508	A	*	8/1893	Walter	.....	220/23.83
D23,281	S	*	5/1894	Redon	.....	D7/536
899,811	A	*	9/1908	Stewart	.....	220/23.83
D59,219	S	*	10/1921	Haviland	.....	D7/536
D62,407	S	*	5/1923	Nichols	.....	D7/507
D69,219	S	*	1/1926	Haviland	.....	D7/536
D69,818	S	*	4/1926	Connor	.....	D7/584
D72,281	S	*	3/1927	Schmidt	.....	D7/536
1,666,389	A	*	4/1928	Mander	.....	220/23.86
1,688,992	A	*	10/1928	Smith	.....	220/23.86

D79,102	S	*	7/1929	Rhead	.....	D7/536
1,780,957	A	*	11/1930	Veder	.....	220/23.83
D89,391	S	*	3/1933	Fisher	.....	D7/536
1,949,285	A	*	2/1934	Porter	.....	211/74
1,987,896	A	*	1/1935	Ericsson	.....	220/23.83
D102,350	S	*	12/1936	Bayreuther	.....	D7/536
D102,968	S	*	1/1937	Farber	.....	D7/505
D110,901	S	*	8/1938	Kupper	.....	D7/536

(Continued)

*Primary Examiner*—Cathron Brooks

*Assistant Examiner*—Susan Moon Lee

(74) *Attorney, Agent, or Firm*—Robert M. Sperry

(57) **CLAIM**

The ornamental design for a pet feeder, as shown and described.

**DESCRIPTION**

FIG. 1 is an OBLIQUE view of the pet feeder of the claimed design;

FIG. 2 is an oblique exploded view of the pet feeder of FIG. 1, showing the locking mechanism;

FIG. 3 is TOP view of the pet feeder of FIG. 1;

FIG. 4 is a BOTTOM view of the pet feeder of FIG. 1;

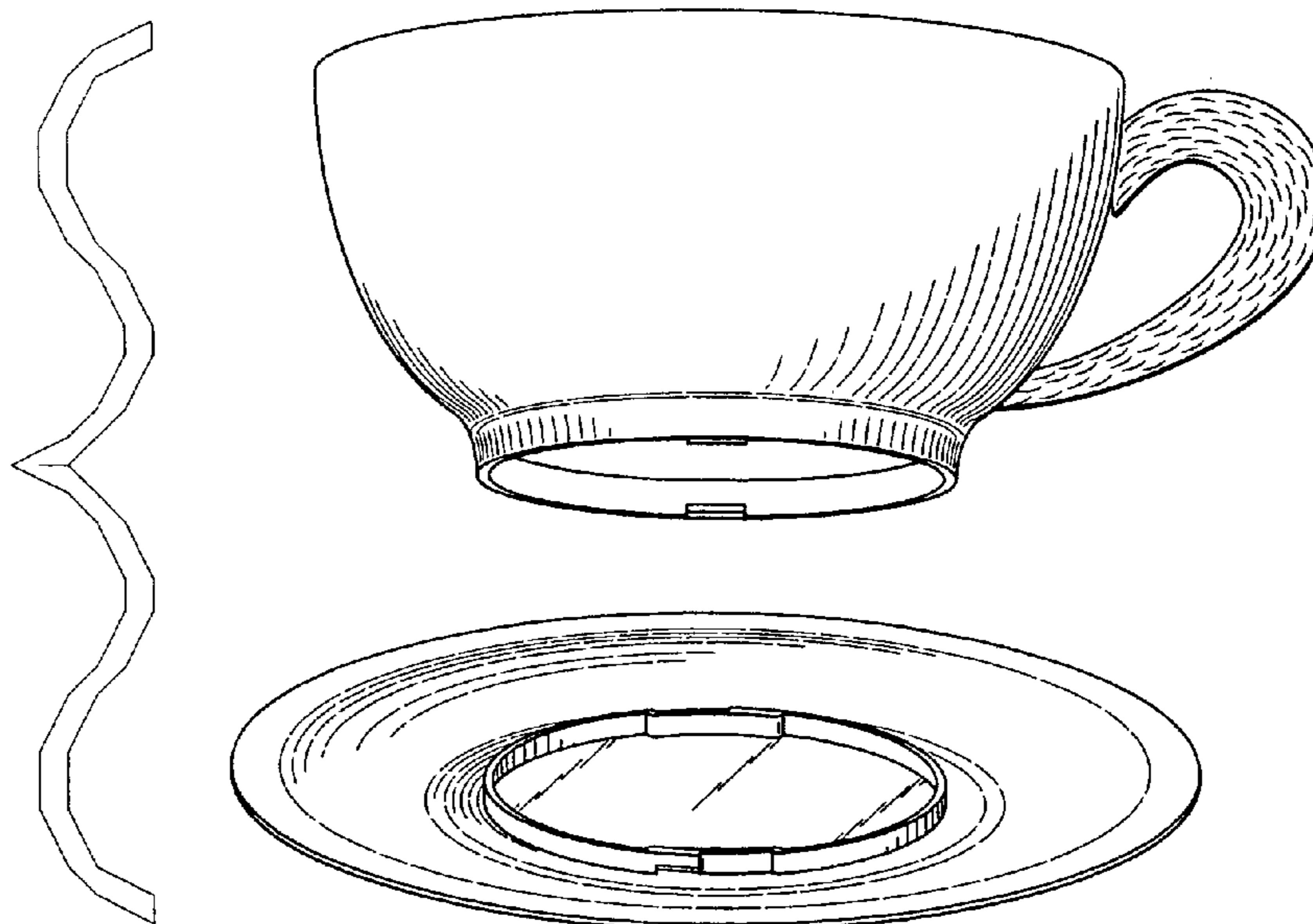
FIG. 5 is an exploded front view of the pet feeder of FIG. 1 showing the cup and saucer separated;

FIG. 6 is a LEFT SIDE of the cup portion of the pet feeder of FIG. 1, shown separately for completeness of illustration;

FIG. 7 is a right side view of the cup portion of the pet feeder of FIG. 1, shown separately for completeness of illustration; and,

FIG. 8 is a TOP view of the saucer portion of the pet feeder of FIG. 1, shown separately for completeness of illustration.

**1 Claim, 4 Drawing Sheets**



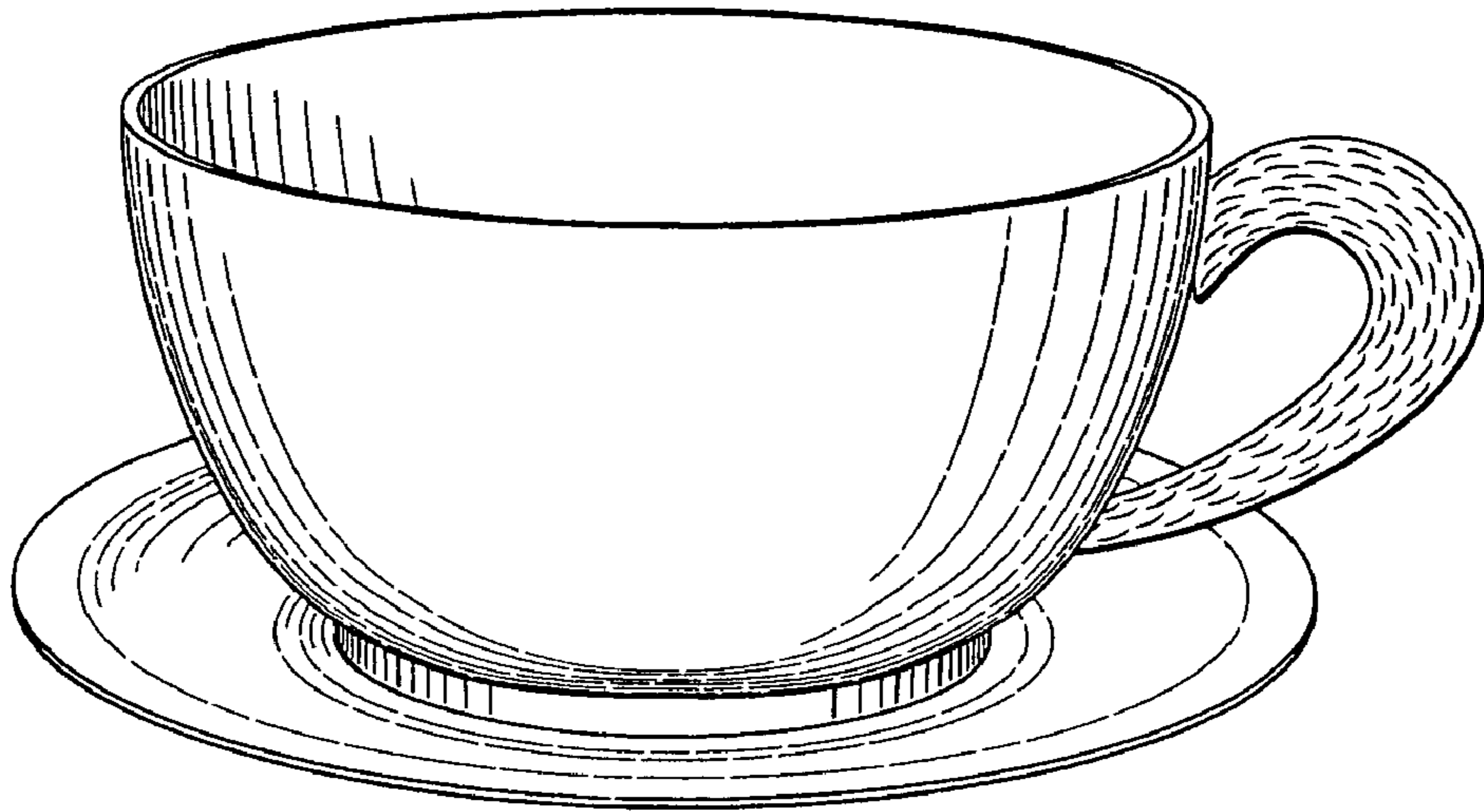
# US D583,111 S

Page 2

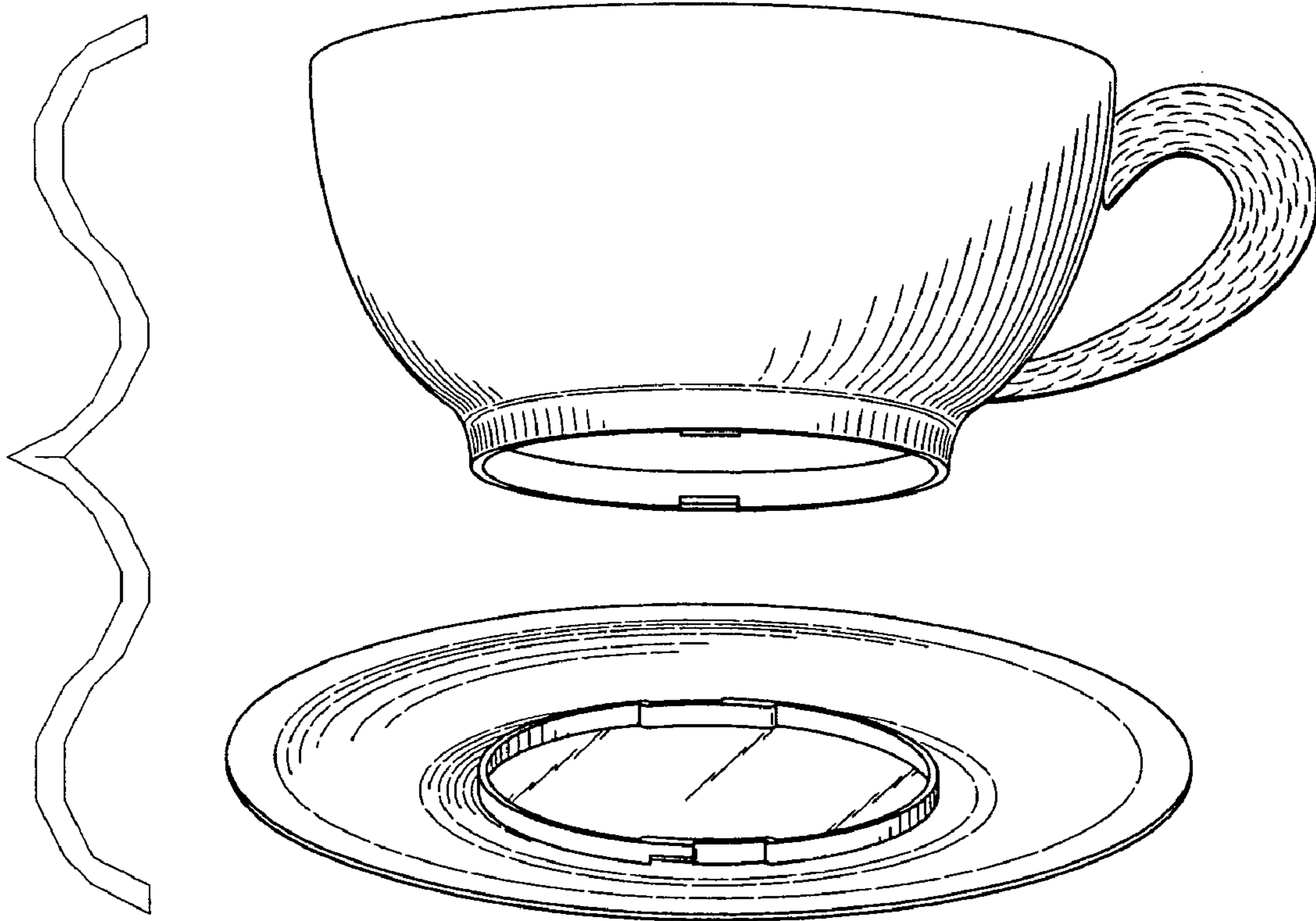
## U.S. PATENT DOCUMENTS

2,151,023	A *	3/1939	Gibson	.....	220/23.83
2,281,720	A *	5/1942	Shefts	.....	220/23.83
2,427,487	A *	9/1947	Alexander	.....	220/23.83
2,518,368	A *	8/1950	Peters	.....	220/23.83
2,550,075	A *	4/1951	Martin	.....	220/23.83
2,587,259	A *	2/1952	Whitman	.....	220/23.83
D167,917	S *	10/1952	Wagner	.....	D7/536
2,657,559	A *	11/1953	Berg	.....	220/23.83
2,750,770	A *	6/1956	Berg	.....	220/23.83
2,755,644	A *	7/1956	Watson	.....	206/502
2,765,640	A *	10/1956	Hood, Jr.	.....	220/23.83
2,770,956	A *	11/1956	Achtziger	.....	215/10
2,787,897	A *	4/1957	Taylor	.....	220/23.83
2,799,147	A *	7/1957	Crawford, Jr.	.....	220/23.83
2,813,509	A *	11/1957	Bruno	.....	119/51.01
D184,518	S *	3/1959	Folley	.....	D7/536
3,008,600	A *	11/1961	Smith	.....	220/23.83
3,018,014	A *	1/1962	Opolion	.....	215/394
3,037,660	A *	6/1962	Roehrig	.....	220/23.83
3,067,904	A *	12/1962	Raymond	.....	220/23.83
D195,046	S *	4/1963	Swett	.....	D7/505
D198,701	S *	7/1964	Roshrig	.....	D7/584
3,190,484	A *	6/1965	Mount	.....	220/23.83
D205,534	S *	8/1966	Gulotta	.....	D7/507
3,357,590	A *	12/1967	Safford	.....	220/23.83
D210,476	S *	3/1968	Gulotta	.....	D7/507
D216,215	S *	12/1969	Swett et al.	.....	D7/505
3,528,584	A *	9/1970	Piccirilli	.....	220/23.83
3,632,015	A *	1/1972	Barth	.....	220/630
3,762,591	A *	10/1973	Gray	.....	215/393
D230,457	S *	2/1974	Bateman	.....	D7/536
D244,738	S *	6/1977	Juhlin	.....	D7/507
D280,057	S *	8/1985	Durand	.....	D7/536
D289,485	S *	4/1987	Unger	.....	D7/536
D290,324	S *	6/1987	Ritman	.....	D7/536
D290,325	S *	6/1987	Ritman	.....	D7/536
4,750,632	A *	6/1988	Pieper	.....	220/23.83
D297,493	S *	9/1988	Ritman	.....	D7/536
4,995,524	A *	2/1991	Welles	.....	220/23.83
D316,009	S *	4/1991	Scherer	.....	D7/536
D402,851	S *	12/1998	Stauffer	.....	D7/505
D420,551	S *	2/2000	Cornelissen	.....	D7/536
6,203,638	B1 *	3/2001	Uram	.....	156/89.11
D445,646	S *	7/2001	Indekeu	.....	D7/536
D448,622	S *	10/2001	Horvat	.....	D7/555
D456,210	S *	4/2002	Bamford	.....	D7/505
D464,234	S *	10/2002	Miller	.....	D7/536
D466,256	S *	11/2002	Kaplan	.....	D30/129

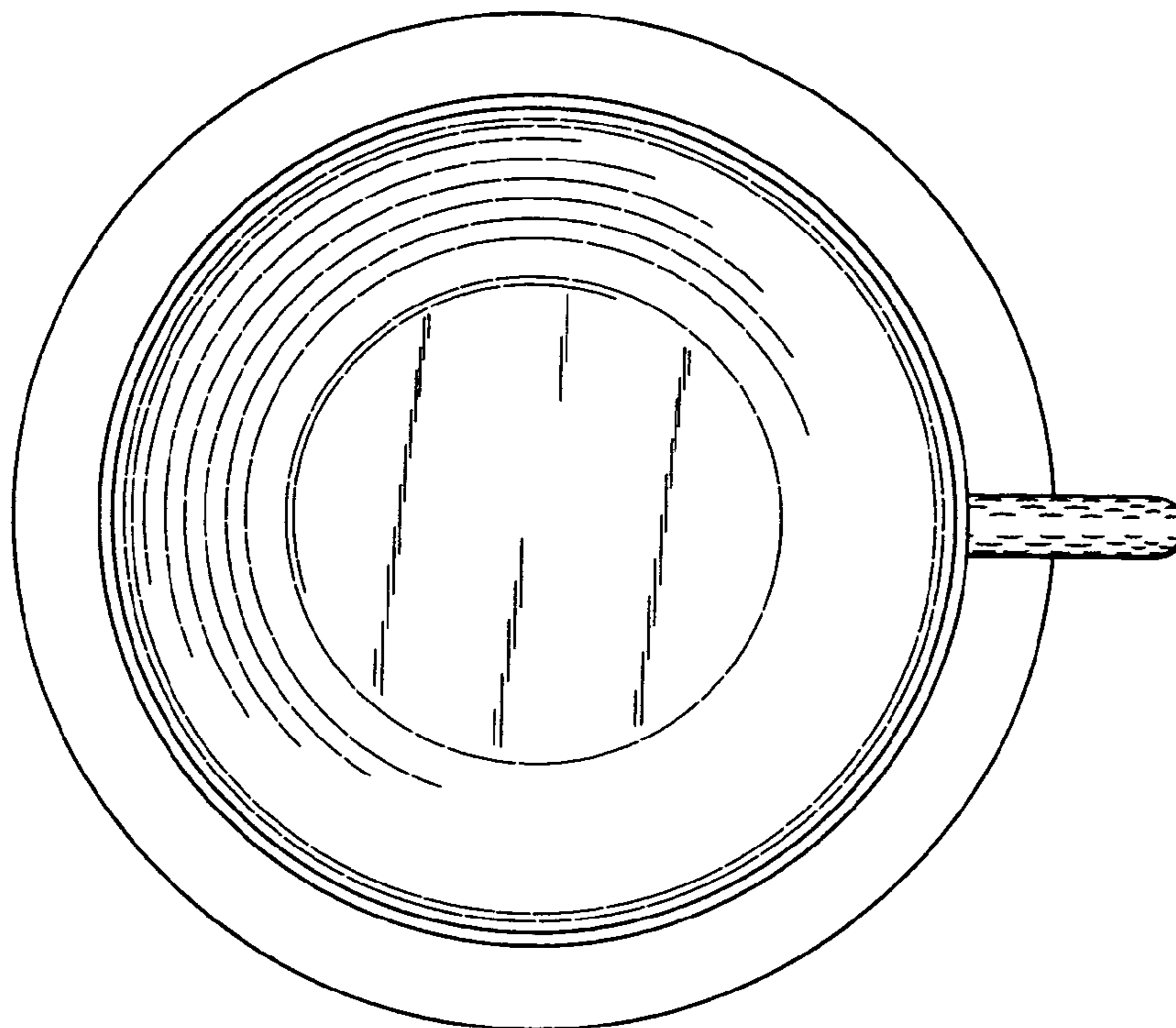
\* cited by examiner



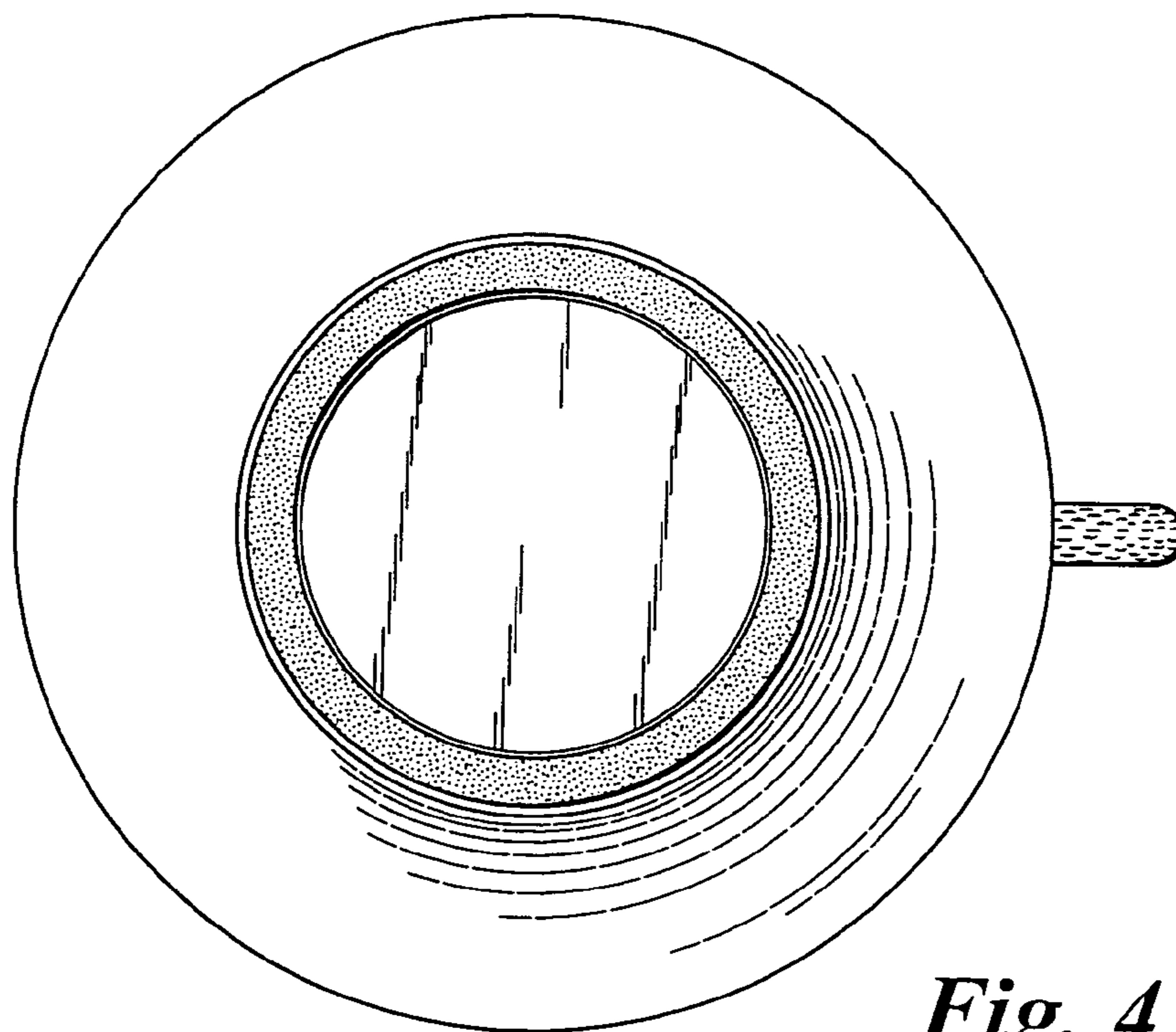
*Fig. 1*



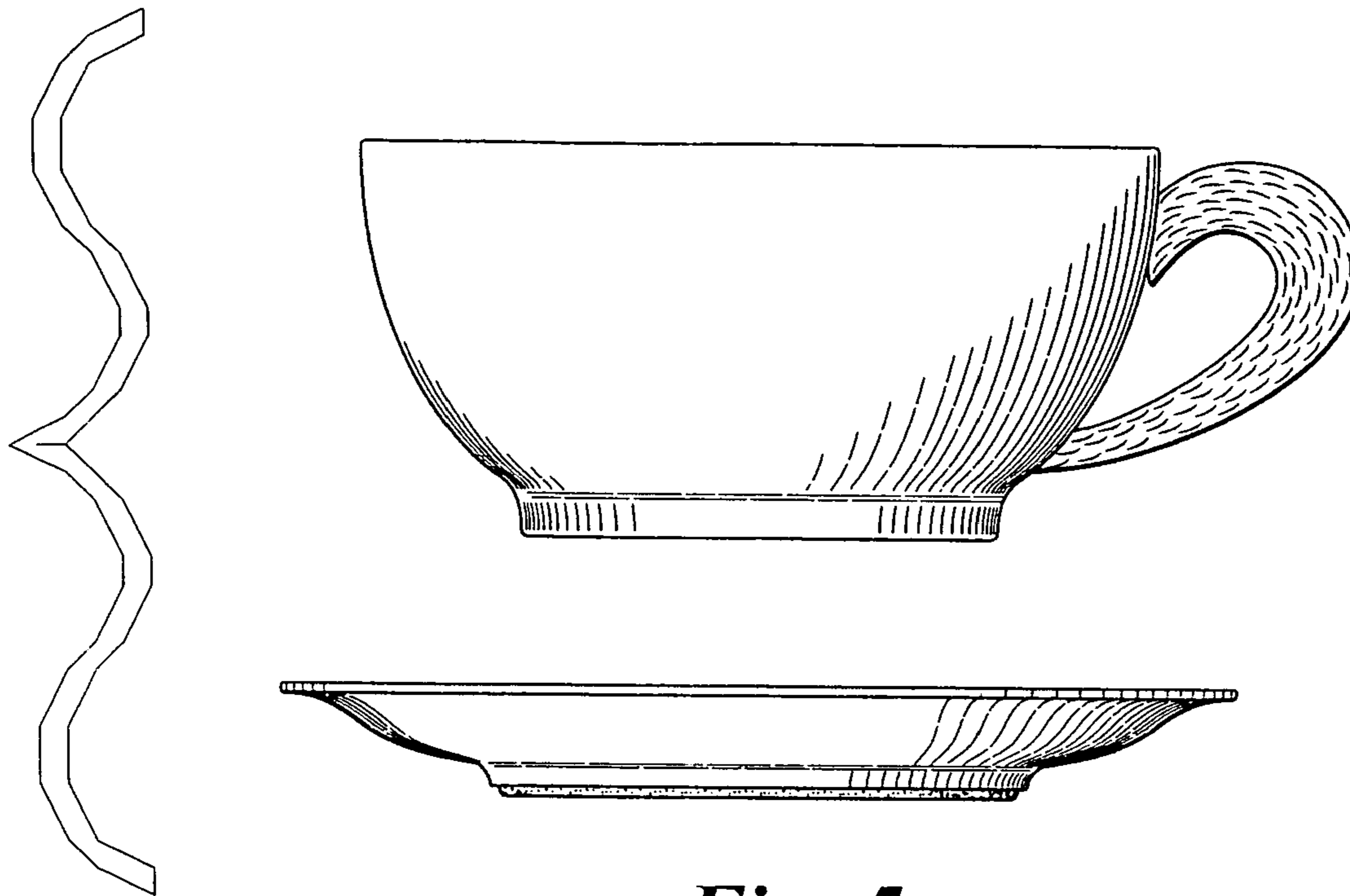
*Fig. 2*



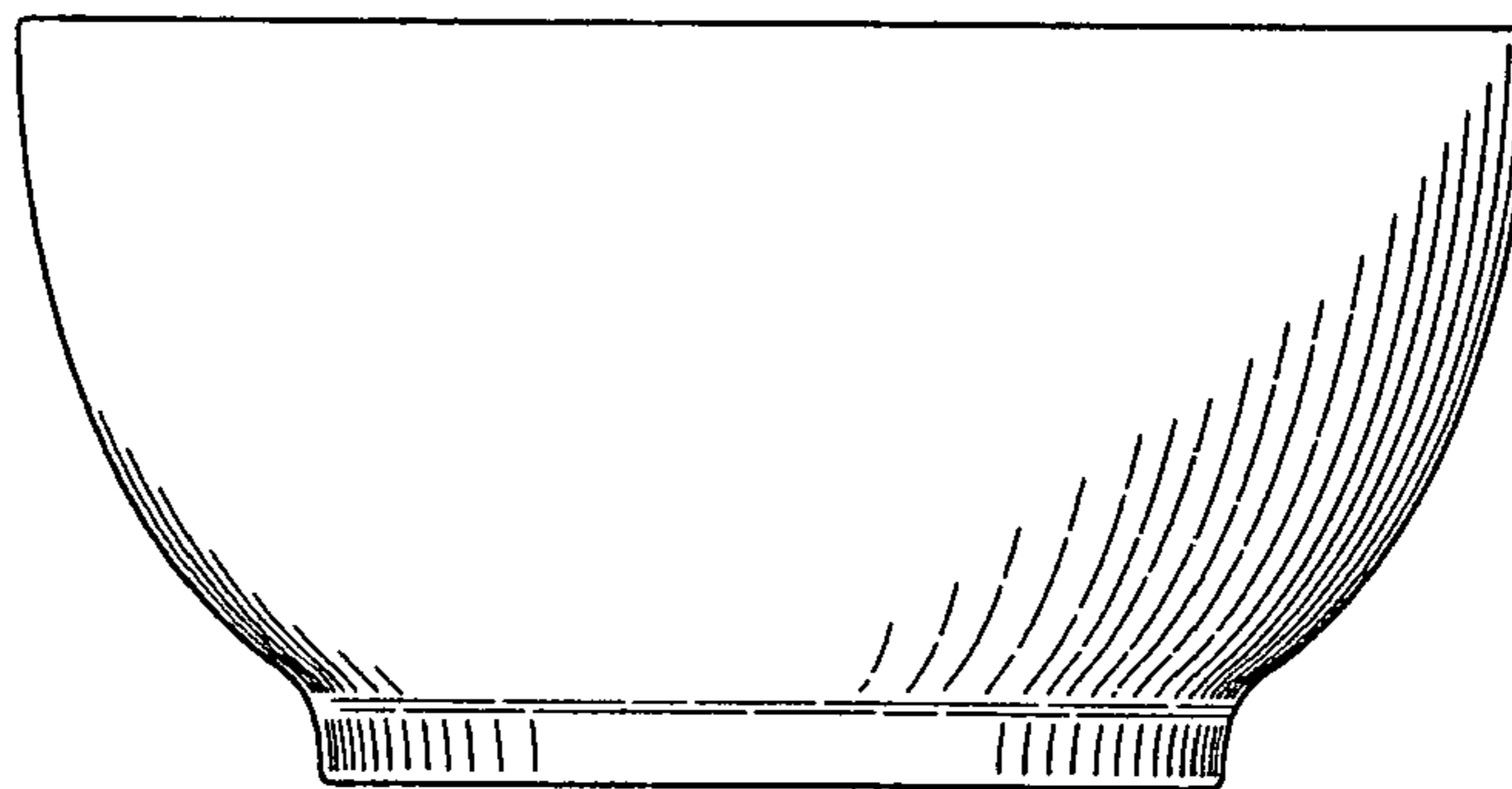
*Fig. 3*



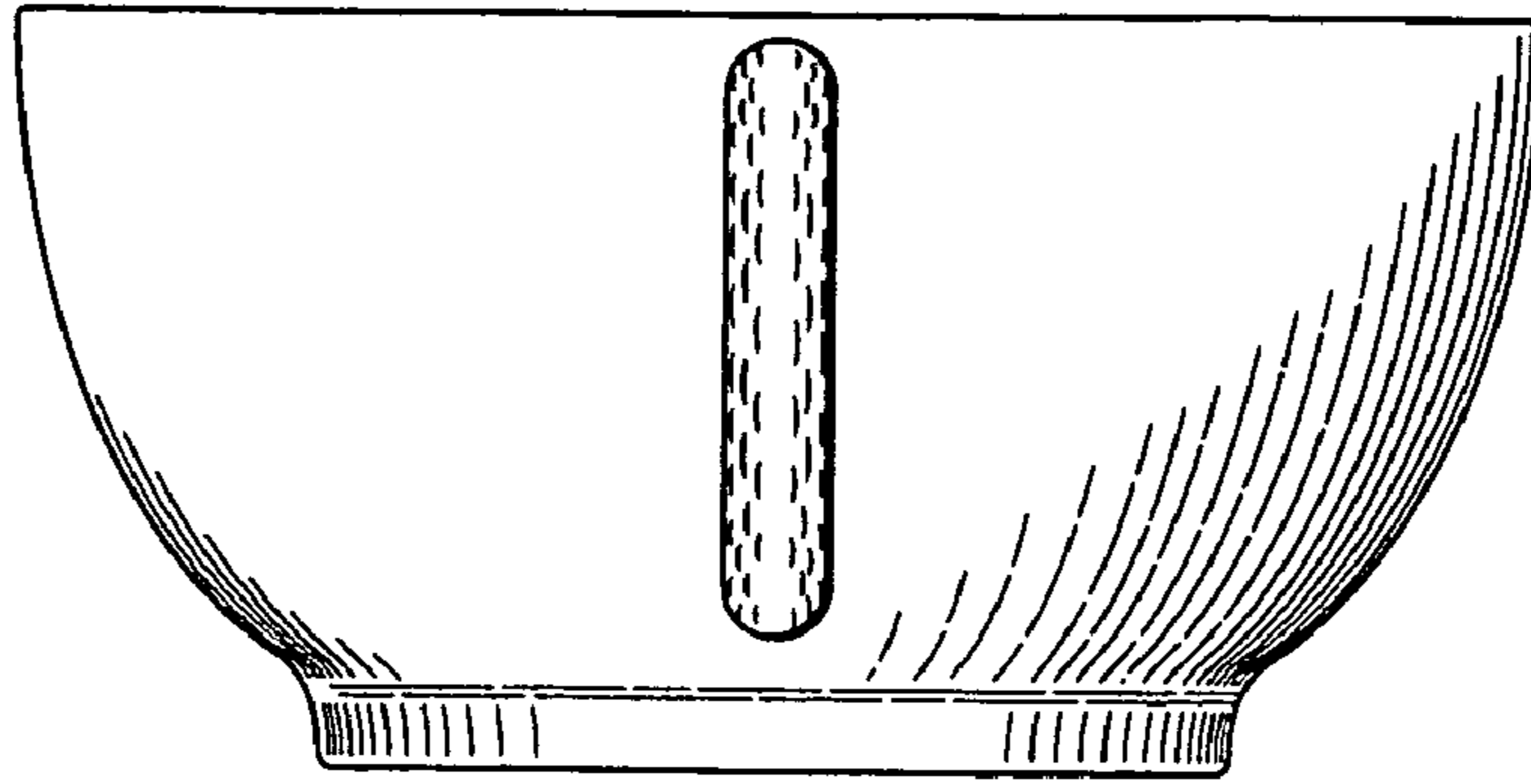
*Fig. 4*



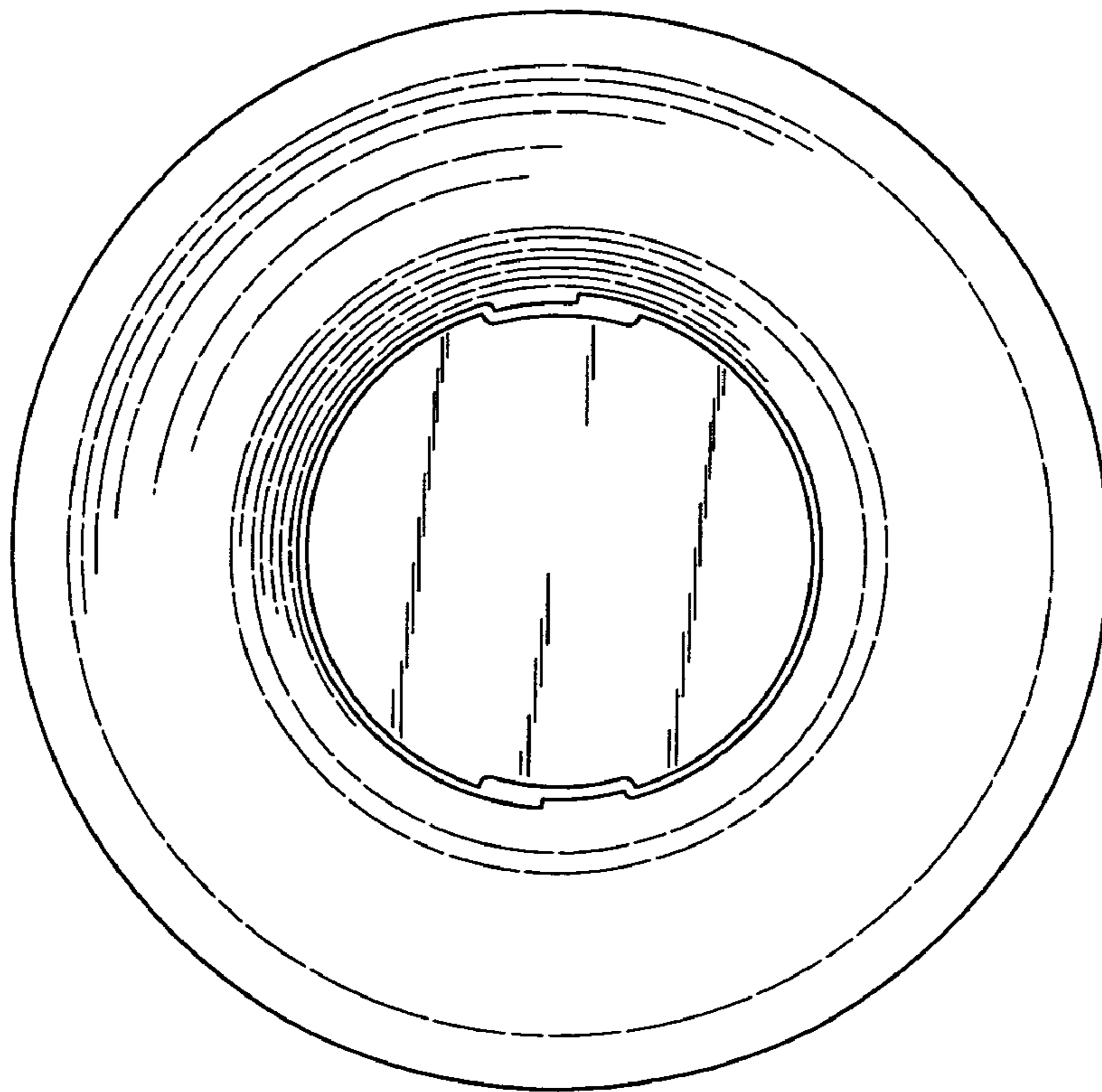
*Fig. 5*



*Fig. 6*



*Fig. 7*



*Fig. 8*