



US00D583109S

(12) **United States Design Patent**
Lindsay

(10) **Patent No.:** **US D583,109 S**

(45) **Date of Patent:** **** Dec. 16, 2008**

(54) **ANIMAL FEEDER**

(75) Inventor: **Todd A. Lindsay**, Camarillo, CA (US)

(73) Assignee: **L.P. Holdings, LLC**, Camarillo, CA (US)

(**) Term: **14 Years**

(21) Appl. No.: **29/303,494**

(22) Filed: **Feb. 11, 2008**

(51) **LOC (8) Cl.** **30-07**

(52) **U.S. Cl.** **D30/122**

(58) **Field of Classification Search** D30/121, D30/122, 129-133; 119/61.5, 51.01, 61.56, 119/51.03, 59, 62, 63, 51.5, 57.8, 74, 61.54, 119/61.55, 53, 53.5, 75, 51.02, 52.3, 57.9, 119/77; 312/204; 248/151, 188; 108/156, 108/153.1-157; 220/23.87, 630, 737, 743, 220/9.4, 495.01, 574, 212, 255, 23.83; 206/515; D7/586, 543, 550.1, 587, 505, 584, 545, 500, D7/553.1-553.8, 546, 555, 556, 504, 565, D7/562, 602; D9/429; 43/109; D22/122; 99/430, DIG. 15; 49/30; 52/66, 64; 135/133, 135/906; D21/834

See application file for complete search history.

(56) **References Cited**

U.S. PATENT DOCUMENTS

D180,346	S	*	5/1957	Weil	D30/122
3,431,923	A	*	3/1969	Klepac	135/115
3,848,615	A	*	11/1974	Warner et al.	135/132
4,106,520	A	*	8/1978	Warner et al.	135/133
4,227,542	A	*	10/1980	Bonfilio	135/132
4,317,315	A	*	3/1982	LeBlang	52/2.21
4,332,266	A	*	6/1982	Wageley	135/143
4,425,929	A	*	1/1984	Von Mosshaim	135/132

D287,041	S	*	12/1986	Gitchel et al.	D21/837
5,004,001	A	*	4/1991	Bouchard	135/97
5,085,240	A	*	2/1992	Littledeer	135/132
5,625,982	A	*	5/1997	Foote	52/64
5,740,828	A	*	4/1998	Evans	135/132
6,349,732	B1	*	2/2002	Cooper	135/133
D456,569	S	*	4/2002	Northrop	D30/132
D472,350	S	*	3/2003	Northrop et al.	D30/121
6,845,735	B1	*	1/2005	Northrop et al.	119/52.1
D517,747	S	*	3/2006	Martin	D30/122
D517,748	S	*	3/2006	Martin	D30/122
7,013,904	B2	*	3/2006	Kofler	135/132
7,051,481	B2	*	5/2006	Delavega et al.	52/66
D535,349	S	*	1/2007	Shinner et al.	D21/834
2002/0134313	A1	*	9/2002	King et al.	119/51.02
2003/0192262	A1	*	10/2003	Delavega	52/66
2006/0162758	A1	*	7/2006	Painchaud	135/133
2006/0236948	A1	*	10/2006	Wechsler	119/77

* cited by examiner

Primary Examiner—Susan Moon Lee

(74) *Attorney, Agent, or Firm*—Richard S. Erbe

(57) **CLAIM**

The ornamental design for an animal feeder, as shown and described.

DESCRIPTION

FIG. 1 is a perspective view of an animal feeder according to my design;

FIG. 2 is a front view thereof;

FIG. 3 is a rear view thereof;

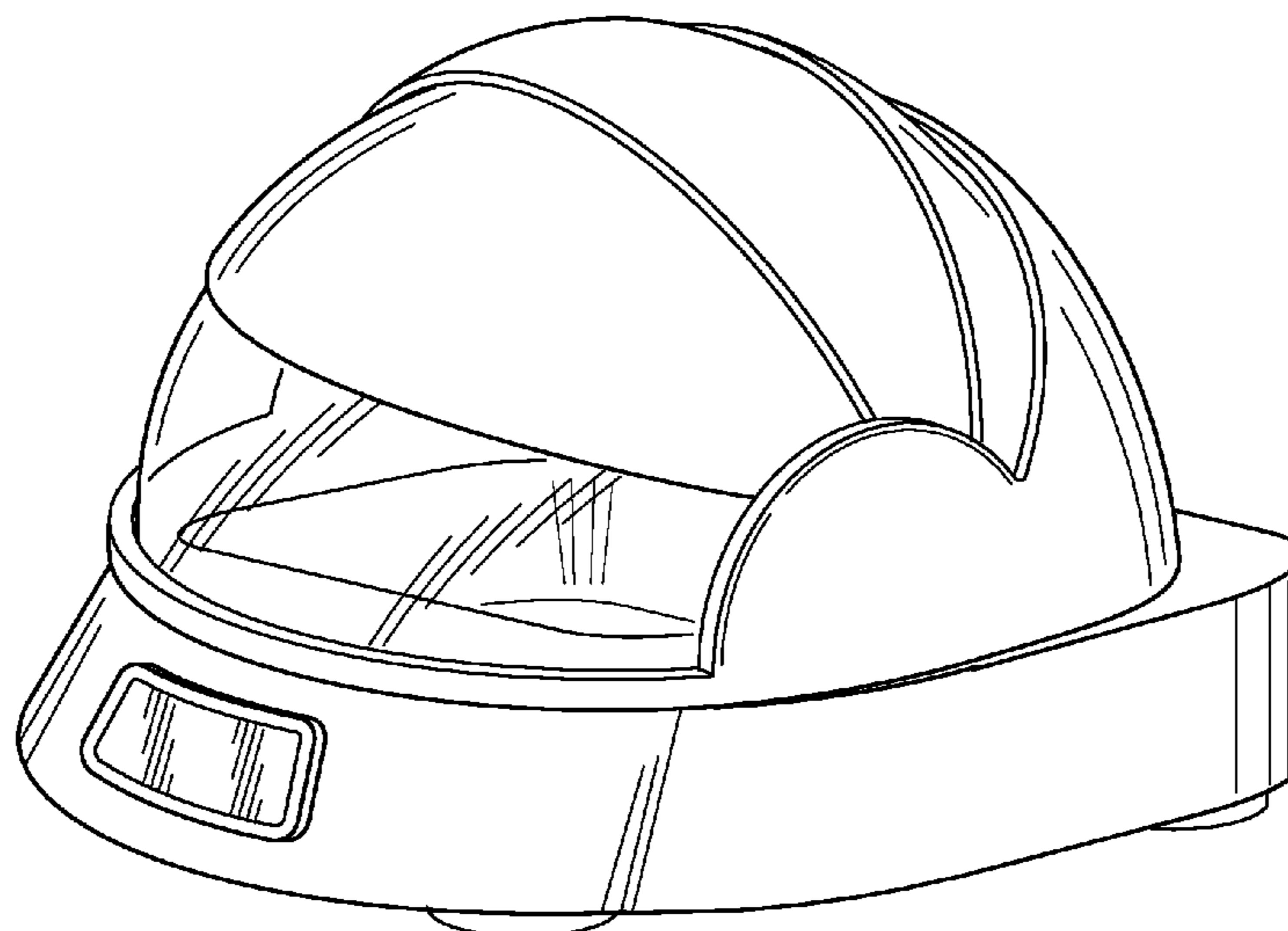
FIG. 4 is a right side view thereof;

FIG. 5 is a left side view thereof;

FIG. 6 is a top view thereof; and,

FIG. 7 is a bottom view thereof.

1 Claim, 4 Drawing Sheets



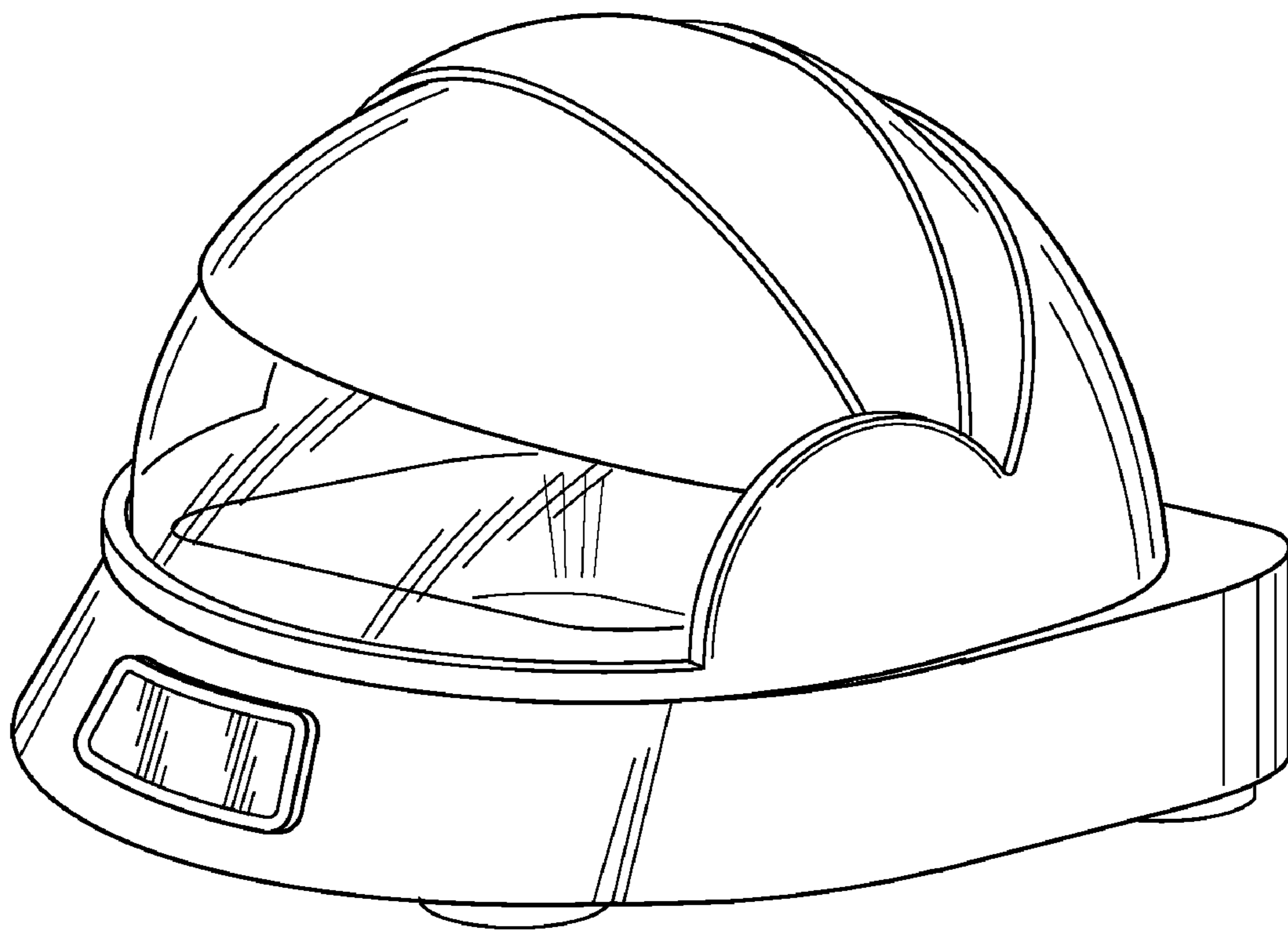


FIG. 1

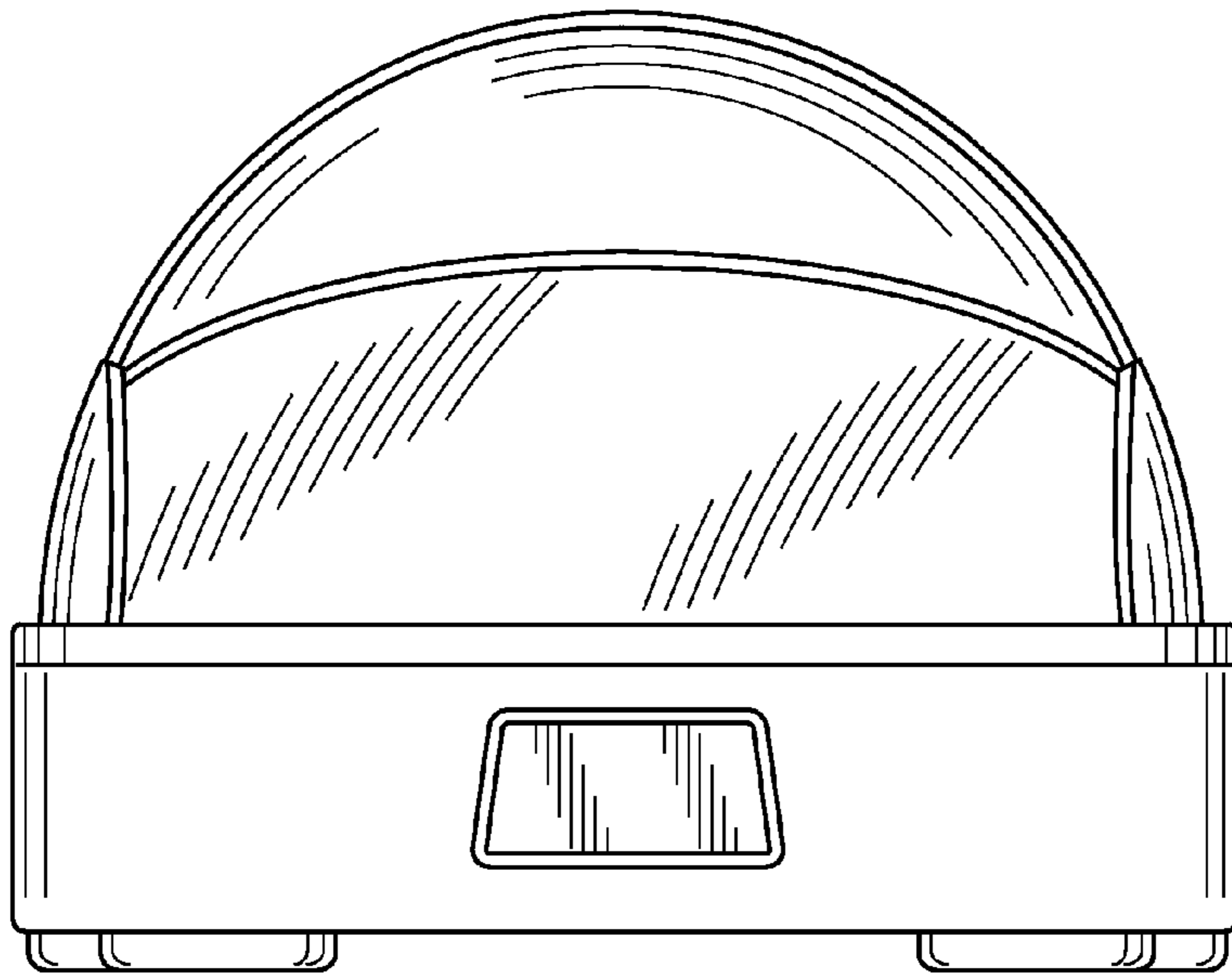


FIG. 2

FIG. 3

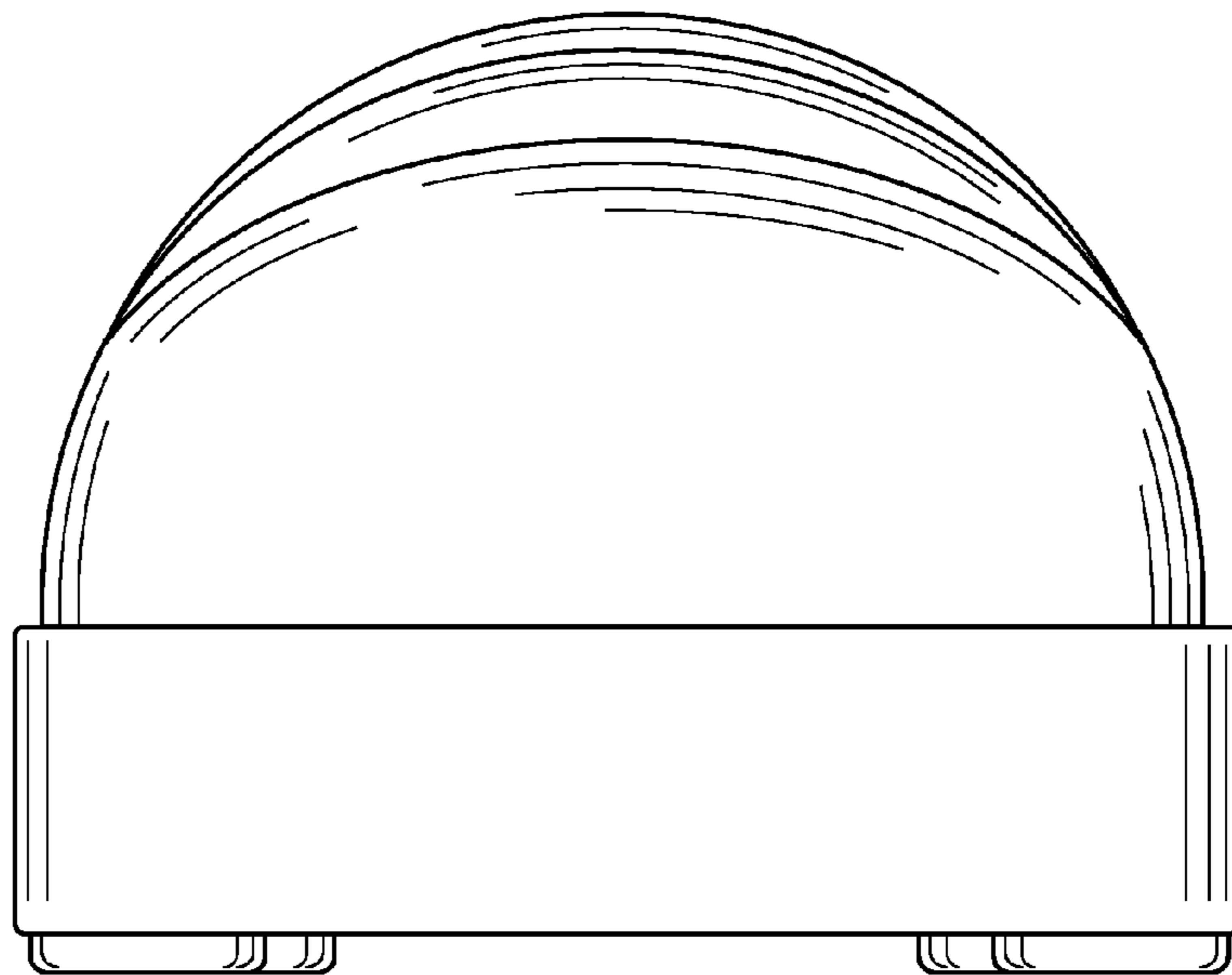


FIG. 4

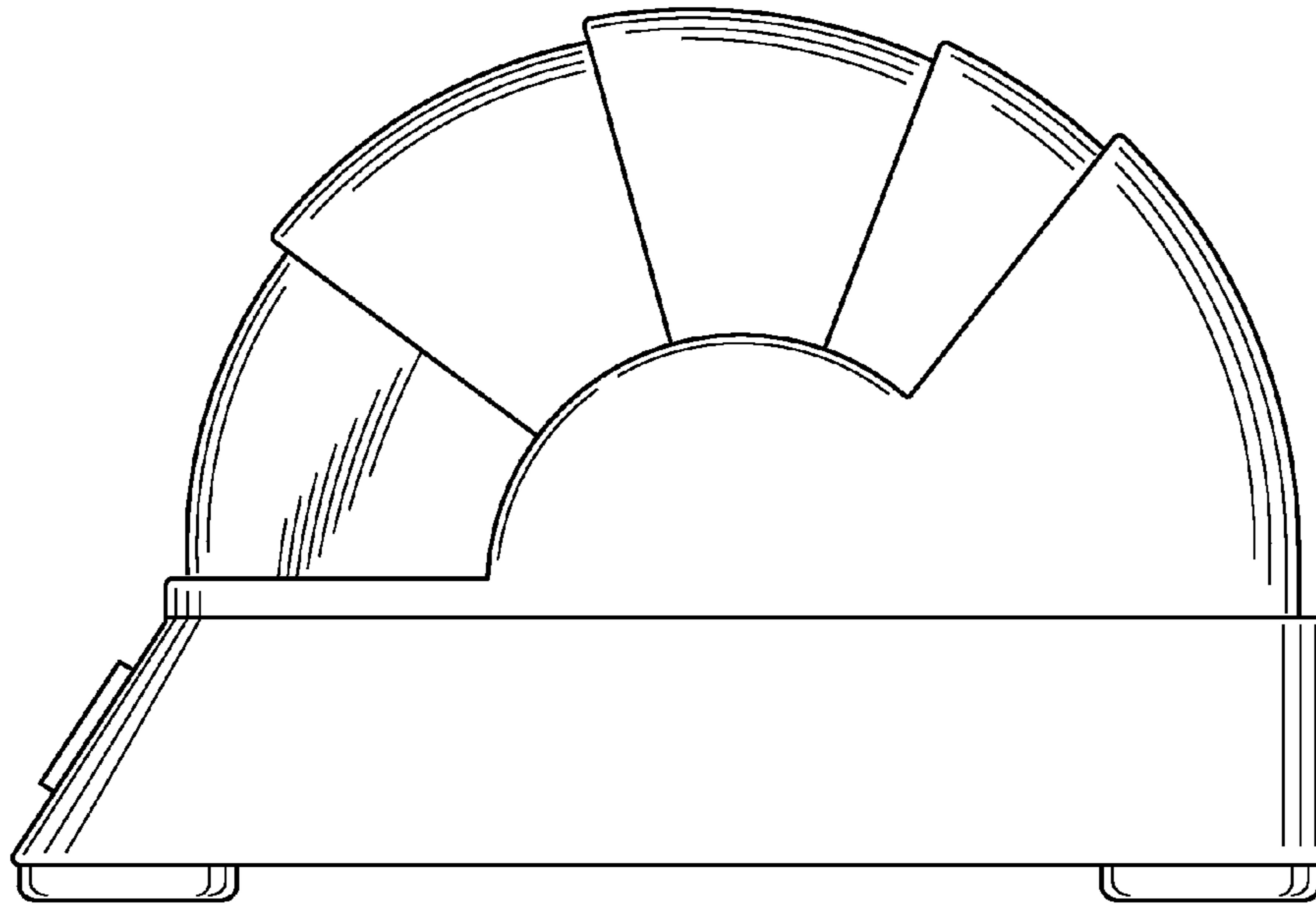


FIG. 5

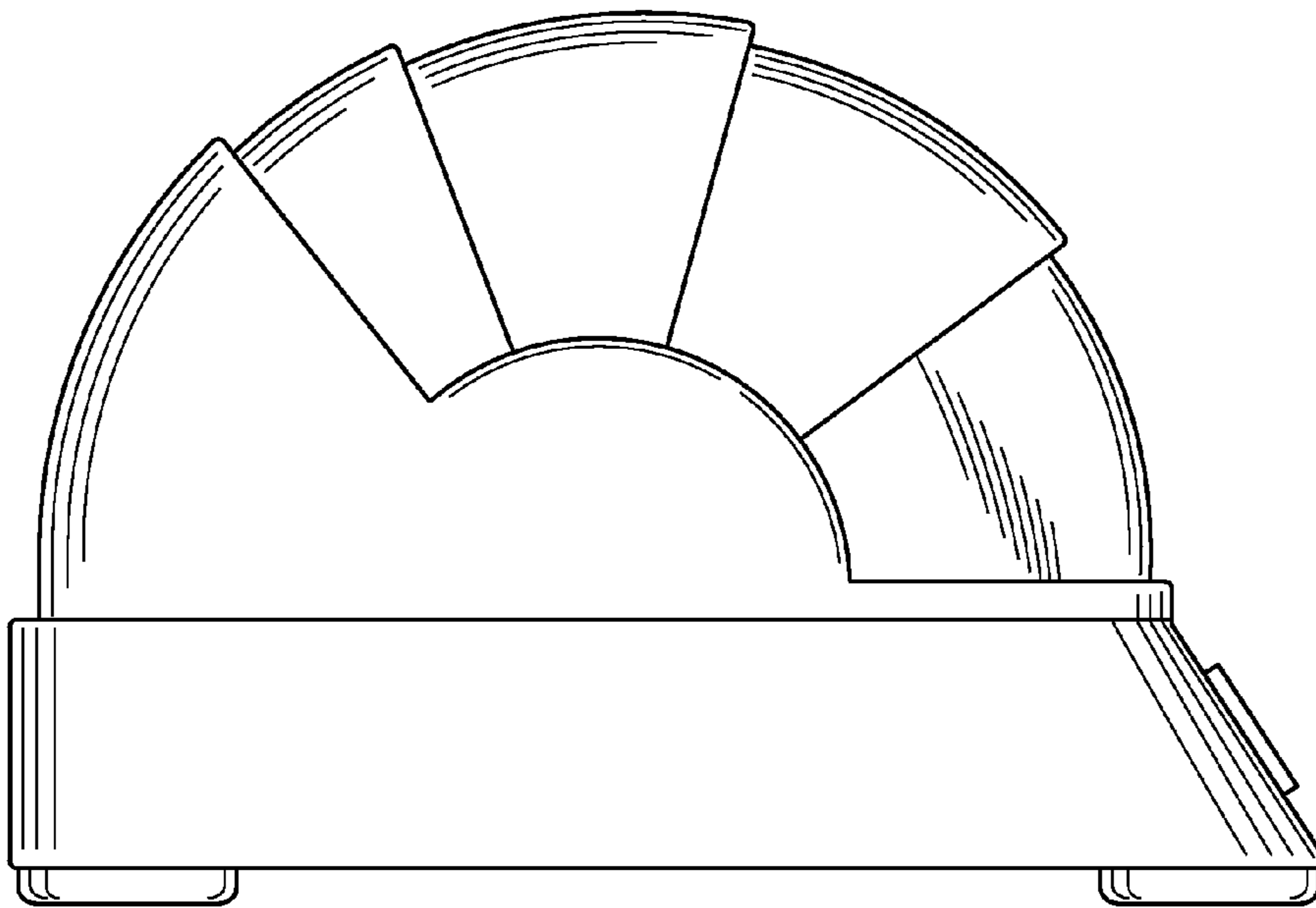


FIG. 6

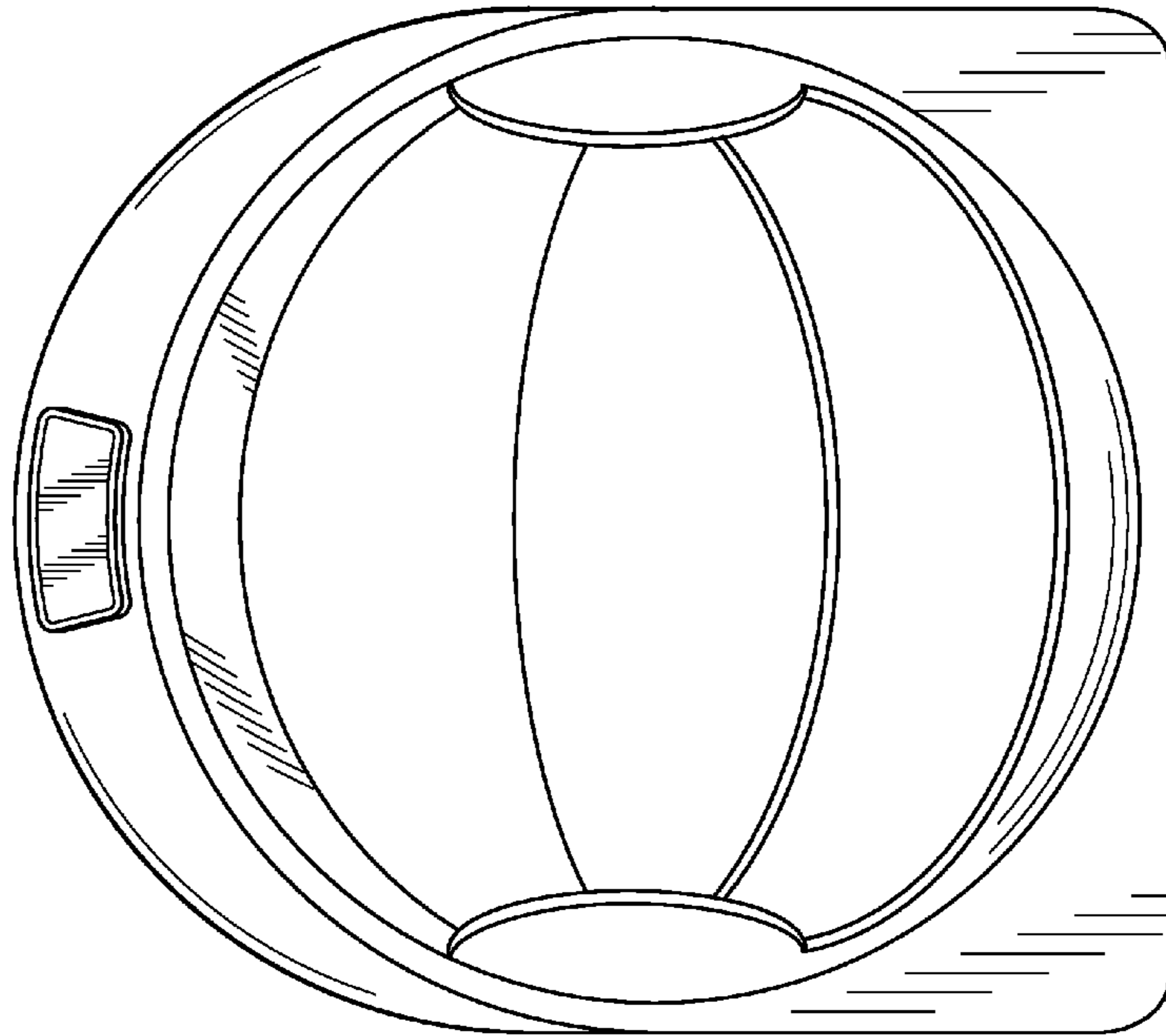


FIG. 7

