



US00D583100S

(12) **United States Design Patent**
Jackel

(10) **Patent No.:** **US D583,100 S**
(45) **Date of Patent:** **** Dec. 16, 2008**

- (54) **COSMETIC CONTAINER**
- (75) Inventor: **Ingrid Jackel**, Pasadena, CA (US)
- (73) Assignee: **Physicians Formula Cosmetics, Inc.**,
Azusa, CA (US)
- (**) Term: **14 Years**
- (21) Appl. No.: **29/292,514**
- (22) Filed: **Oct. 11, 2007**
- (51) **LOC (8) Cl.** **28-03**
- (52) **U.S. Cl.** **D28/82**
- (58) **Field of Classification Search** 132/286–288,
132/293–307, 312–318; D28/76–84; 206/581,
206/823
See application file for complete search history.

- D309,358 S * 7/1990 Machelett et al. D28/78
- D319,897 S 9/1991 Bakic
- 6,014,978 A 1/2000 Yuhara
- D442,338 S 5/2001 Roman
- 6,283,129 B1 9/2001 Yuhara et al.
- 6,286,520 B1 9/2001 Lin
- D475,485 S 6/2003 Sheng
- D481,493 S 10/2003 Chen
- D484,278 S 12/2003 Prince et al.
- D503,831 S * 4/2005 Ames D28/78
- 2004/0003825 A1 1/2004 Kelly
- 2004/0139980 A1 7/2004 Habatjou
- 2005/0011806 A1 1/2005 Byun
- 2006/0005853 A1 1/2006 Shen
- 2006/0027481 A1 2/2006 Gelardi
- 2006/0286894 A1 12/2006 Kelly

* cited by examiner

Primary Examiner—Jennifer Rivard
(74) *Attorney, Agent, or Firm*—Dergosits & Noah LLP

(56) **References Cited**
U.S. PATENT DOCUMENTS

- 1,518,594 A 12/1924 Marble
- 1,534,870 A 4/1925 Roystone
- 1,636,183 A 7/1927 Goertz
- D075,502 S 6/1928 Kasdan et al.
- D75,688 S * 7/1928 Hines D28/78
- 1,686,973 A 10/1928 Kendall
- 1,688,042 A 10/1928 Gaess
- 1,735,483 A 11/1929 Wacker
- 1,743,872 A 1/1930 Weitlich et al.
- 1,762,767 A 6/1930 Dwan
- 1,773,624 A 8/1930 Kendall
- 1,841,933 A 1/1932 Bowers
- 1,923,071 A 8/1933 Blom
- 2,057,293 A 10/1936 Dreux et al.
- 2,163,429 A 6/1939 Kaplan et al.
- 2,315,647 A 4/1943 Nyden
- 2,399,997 A 5/1946 Flaster
- 2,421,646 A 6/1947 Pepin
- 2,438,841 A * 3/1948 Casalino 132/300
- 2,571,485 A 10/1951 Reiskin
- 3,256,892 A 6/1966 Esposito, Jr.

(57) **CLAIM**

The ornamental design for a cosmetic container, as shown and described.

DESCRIPTION

FIG. 1 is a perspective view of a cosmetic container showing my new design;

FIG. 2 is a top view of the cosmetic container of FIG. 1; the bottom view being a mirror image thereof;

FIG. 3 is a front view of the cosmetic container of FIG. 1;

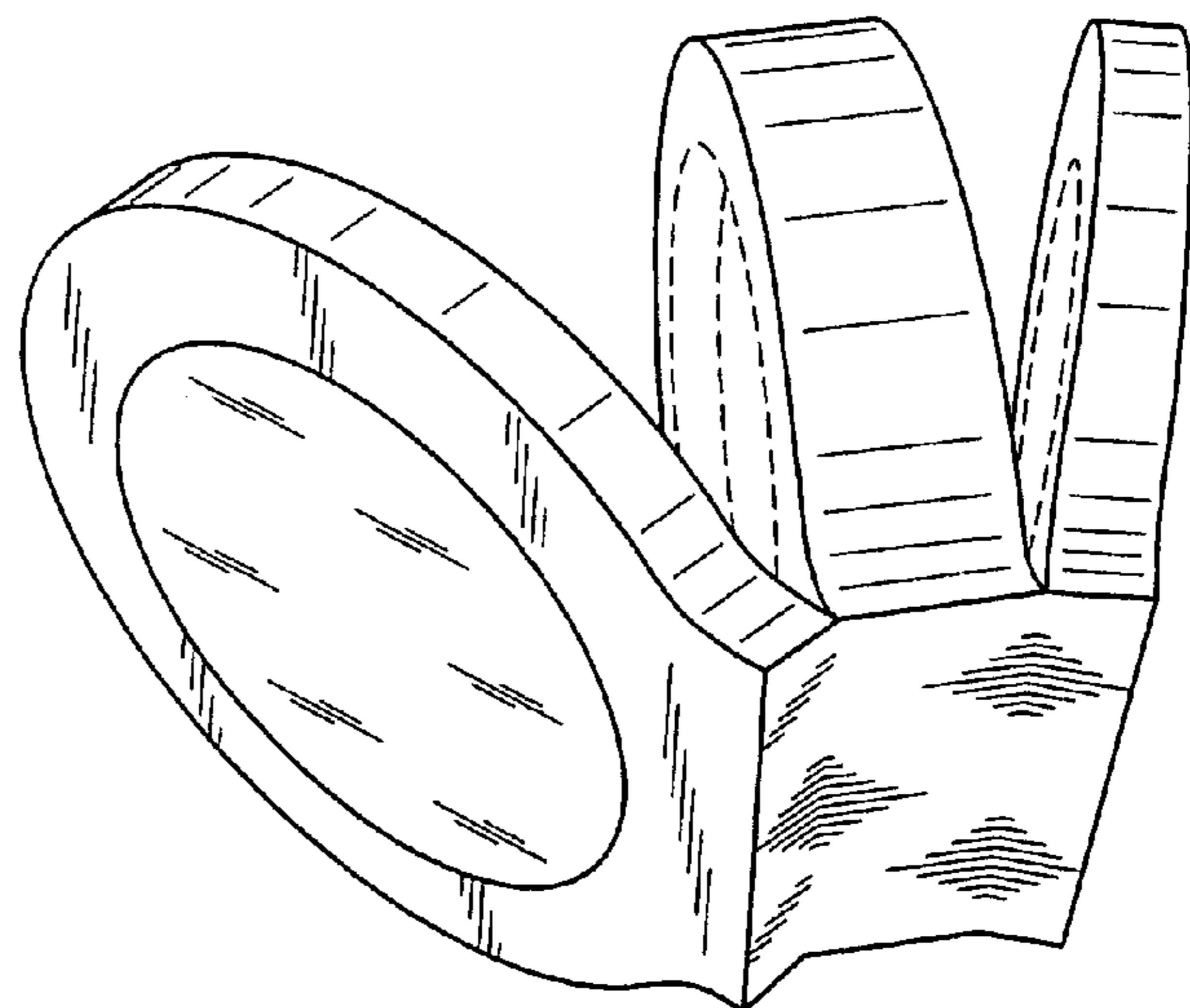
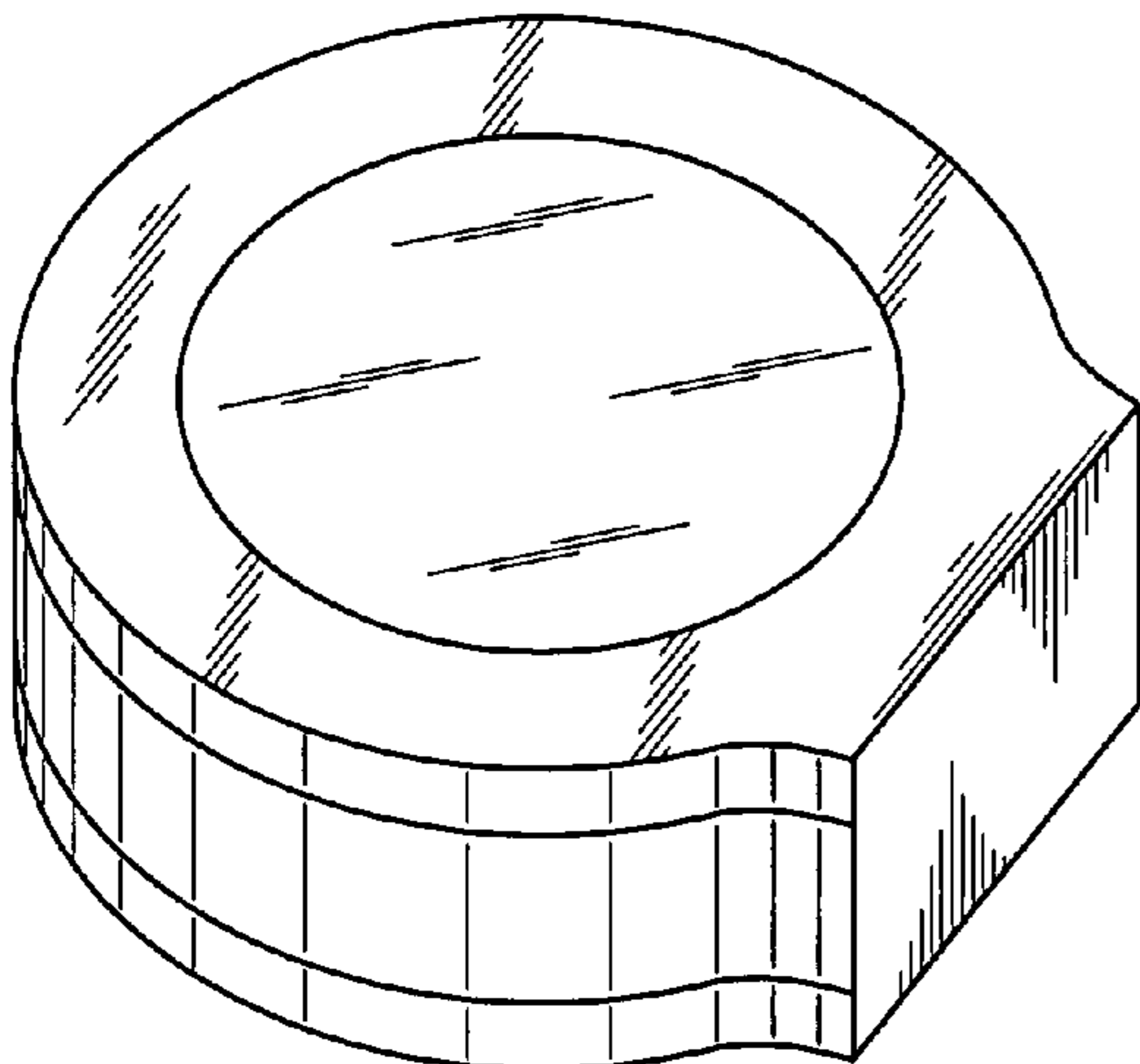
FIG. 4 is a back view of the cosmetic container of FIG. 1;

FIG. 5 is a side view of the cosmetic container of FIG. 1; and,

FIG. 6 is another perspective view of the cosmetic container of FIG. 1.

The broken line showing the interior of the container is included for the purpose of illustrating portions of the article and forms no part of the claimed design.

1 Claim, 3 Drawing Sheets



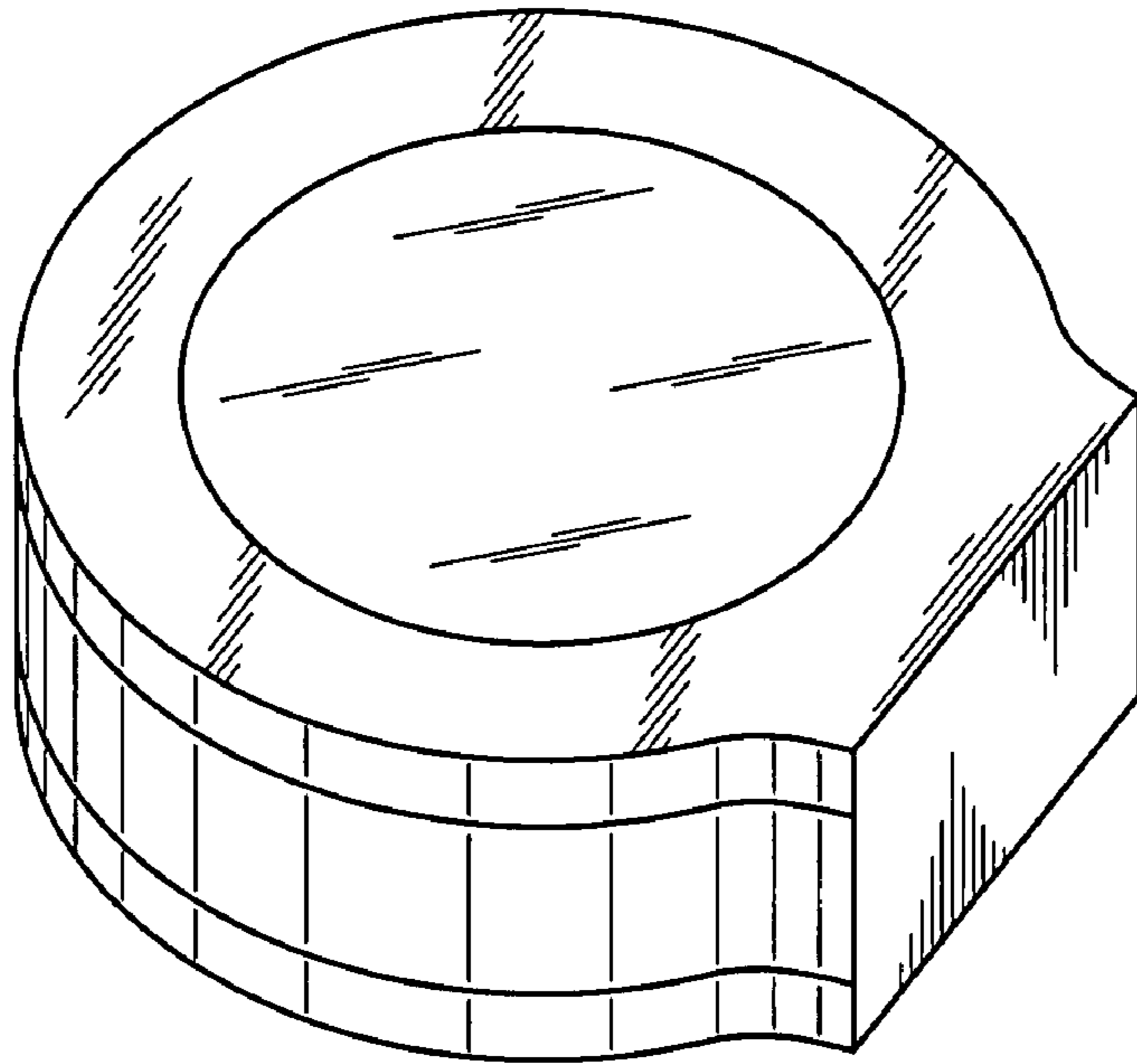


FIG. 1

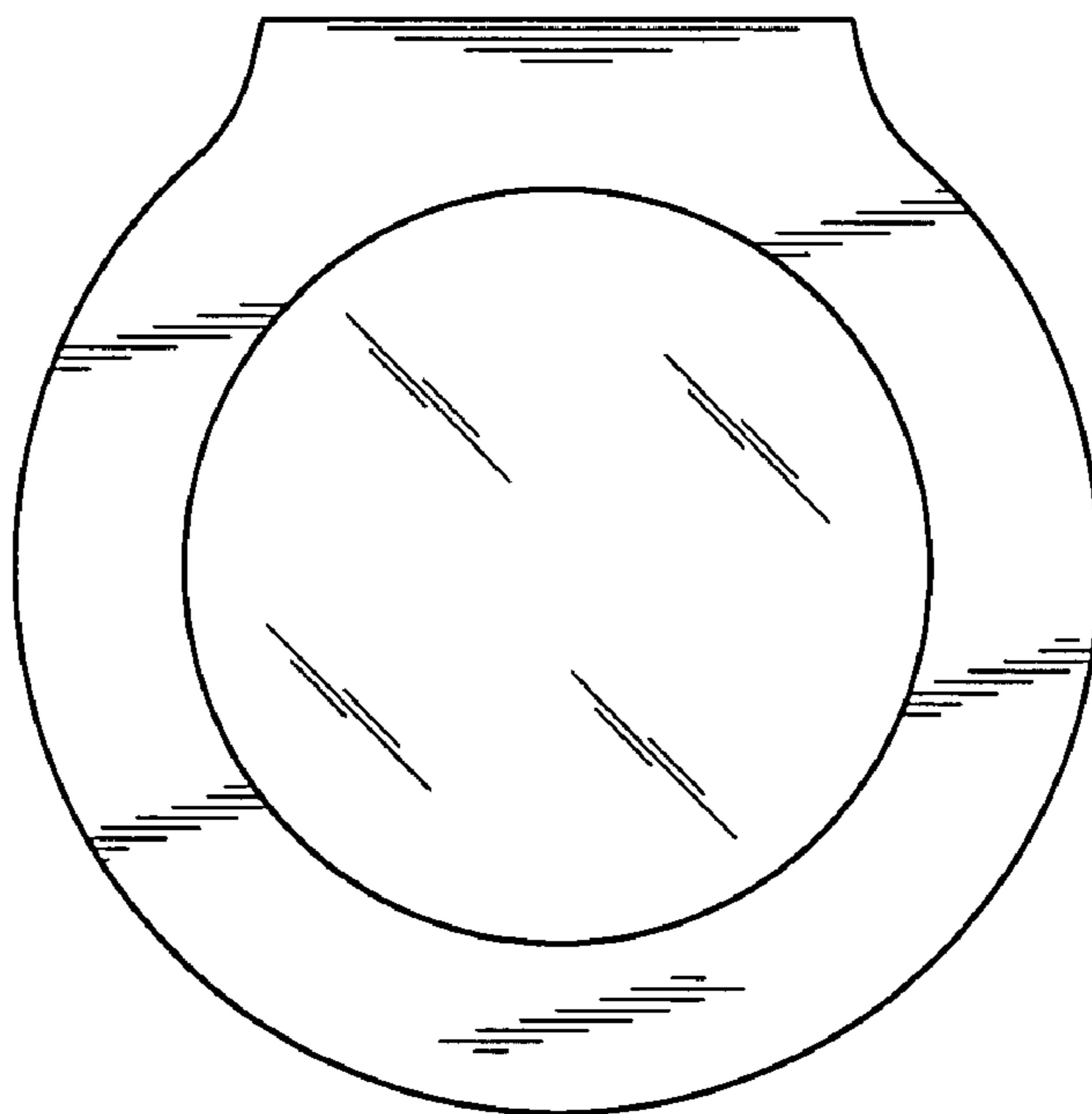


FIG. 2

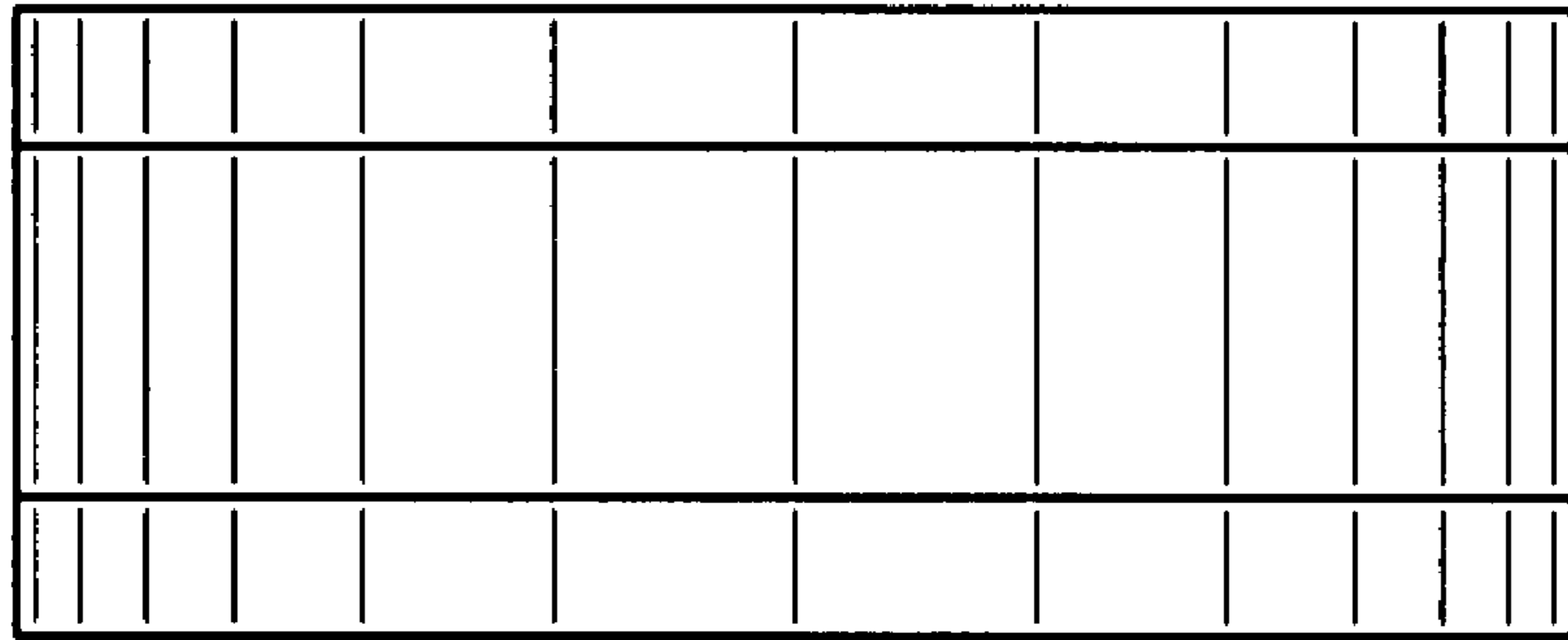


FIG. 3

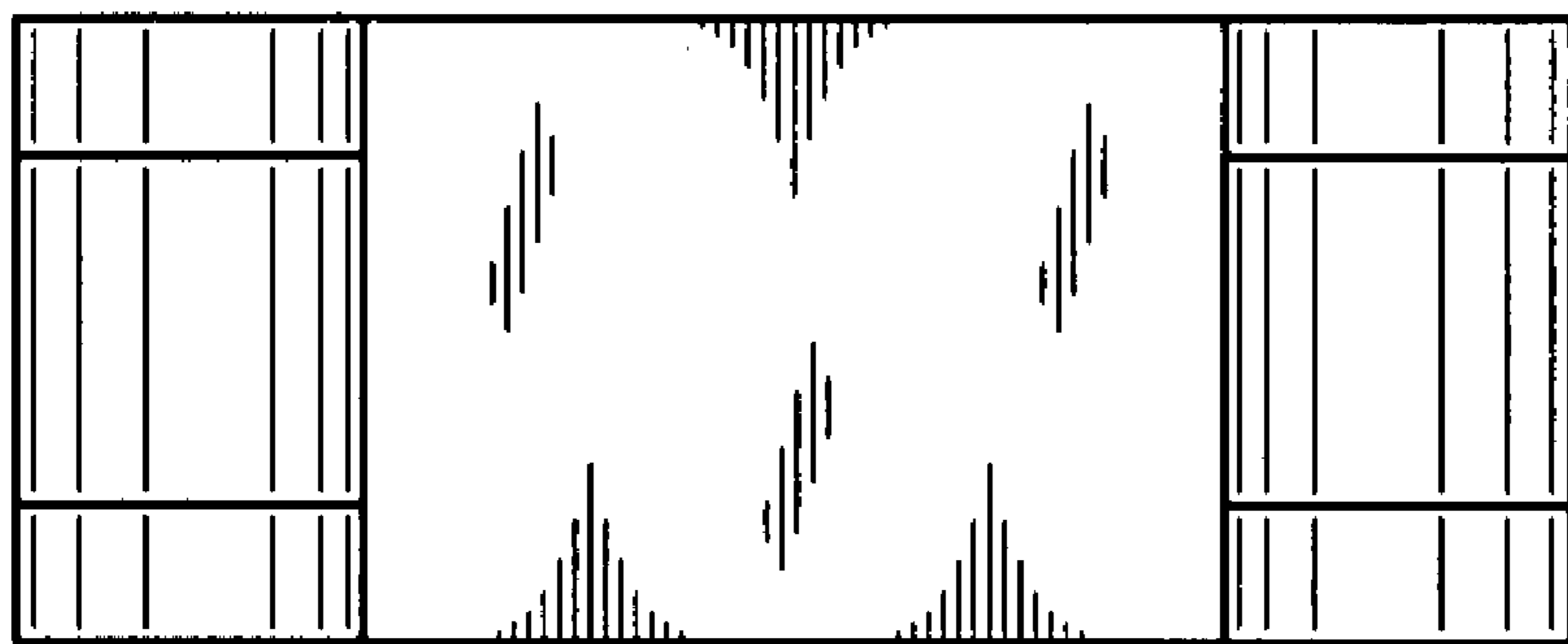


FIG. 4

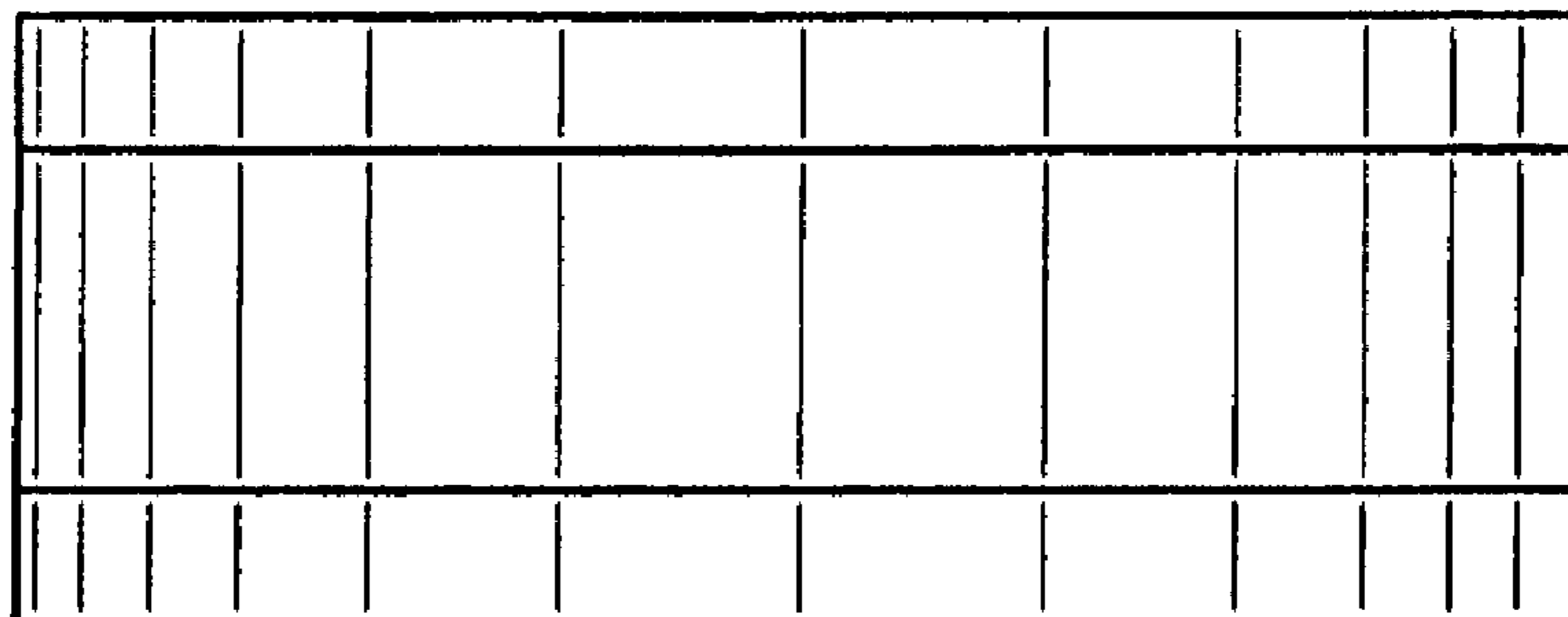


FIG. 5

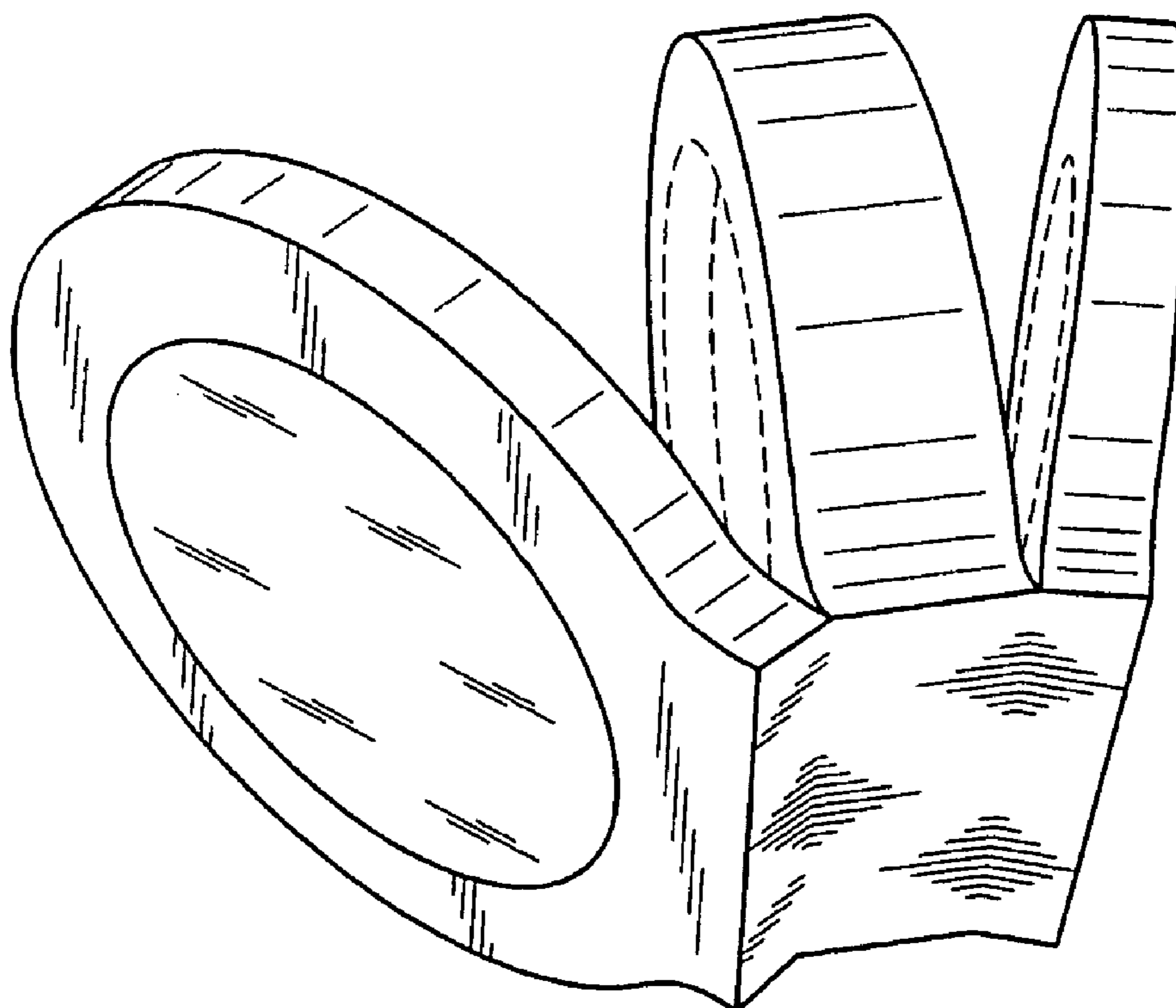


FIG. 6