



US00D583098S

(12) **United States Design Patent**
Giannini

(10) **Patent No.:** **US D583,098 S**

(45) **Date of Patent:** **** Dec. 16, 2008**

(54) **ELECTRIC CLIPPER HEAD**

(76) Inventor: **Beau Giannini**, 5/F. 4Bldg. #990
Changping Rd, Shanghai (CN) 200042

(**) Term: **14 Years**

(21) Appl. No.: **29/273,958**

(22) Filed: **Mar. 16, 2007**

(51) **LOC (8) Cl.** **28-03**

(52) **U.S. Cl.** **D28/54**

(58) **Field of Classification Search** 30/34.05,
30/34.1, 34.2, 43-43.92, 44, 45, 526, 527,
30/532, 200, 201, 196, 216, 210, 233; D28/44,
D28/49-54

See application file for complete search history.

(56) **References Cited**

U.S. PATENT DOCUMENTS

D417,931 S *	12/1999	Lebherz	D28/53
D432,265 S *	10/2000	Kling et al.	D28/53
D435,694 S *	12/2000	Lebherz	D28/53
D436,229 S *	1/2001	Eguchi et al.	D28/53
D464,466 S *	10/2002	Rizzuto et al.	D28/53
D466,650 S *	12/2002	Muller et al.	D28/53
D514,255 S *	1/2006	Bokelman-Dumas	D28/53

D519,243 S *	4/2006	Kling	D28/51
D524,485 S *	7/2006	Izumi et al.	D28/53
2003/0145469 A1 *	8/2003	Ogawa et al.	30/210

* cited by examiner

Primary Examiner—Jennifer Rivard

(74) *Attorney, Agent, or Firm*—James E. Parris

(57) **CLAIM**

The ornamental design for an electric clipper head, as shown and described.

DESCRIPTION

FIG. 1 is a perspective top view showing the design;

FIG. 2 is a perspective bottom view thereof;

FIG. 3 is planar top view thereof;

FIG. 4 is a planar bottom view thereof;

FIG. 5 is a planar left view thereof;

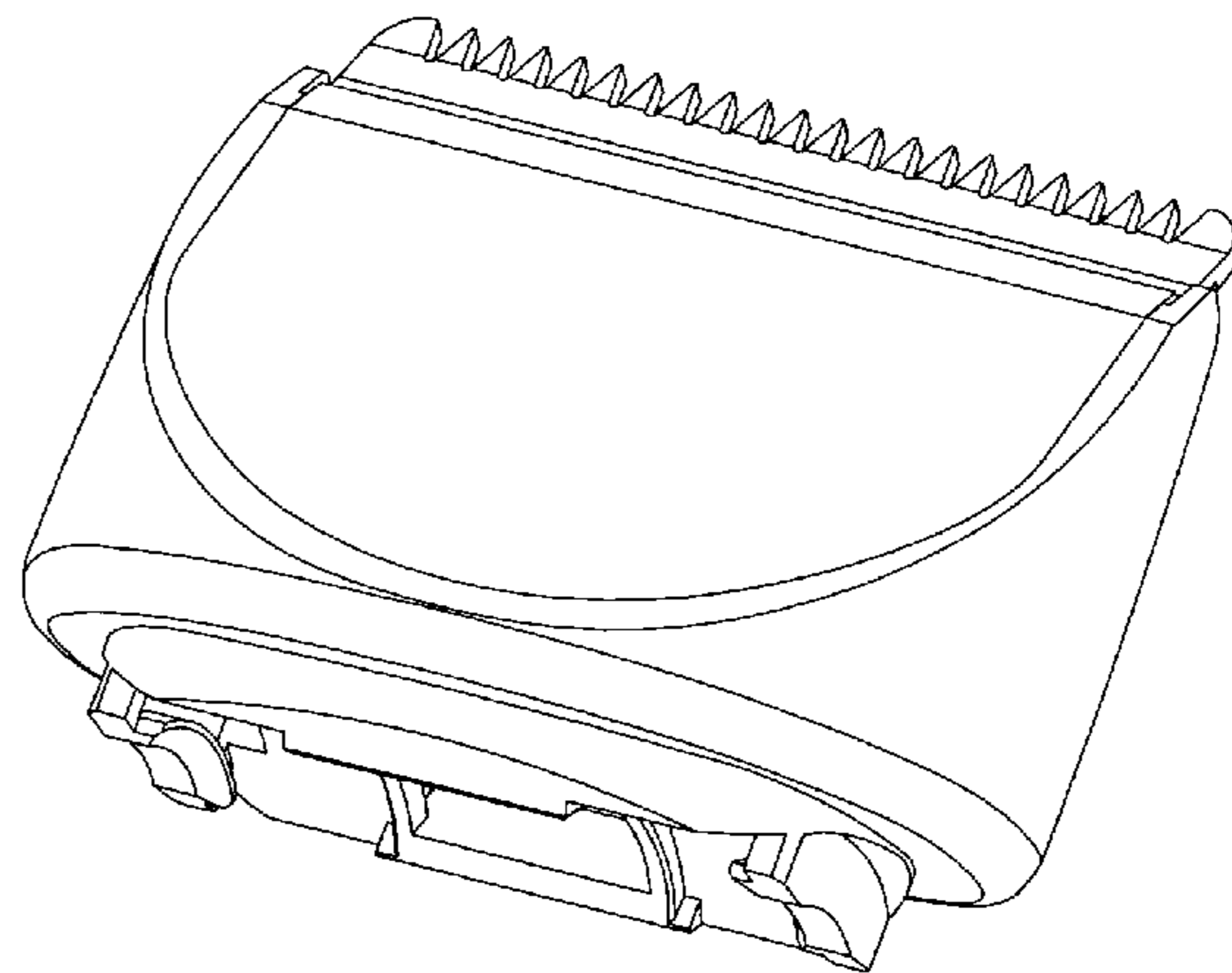
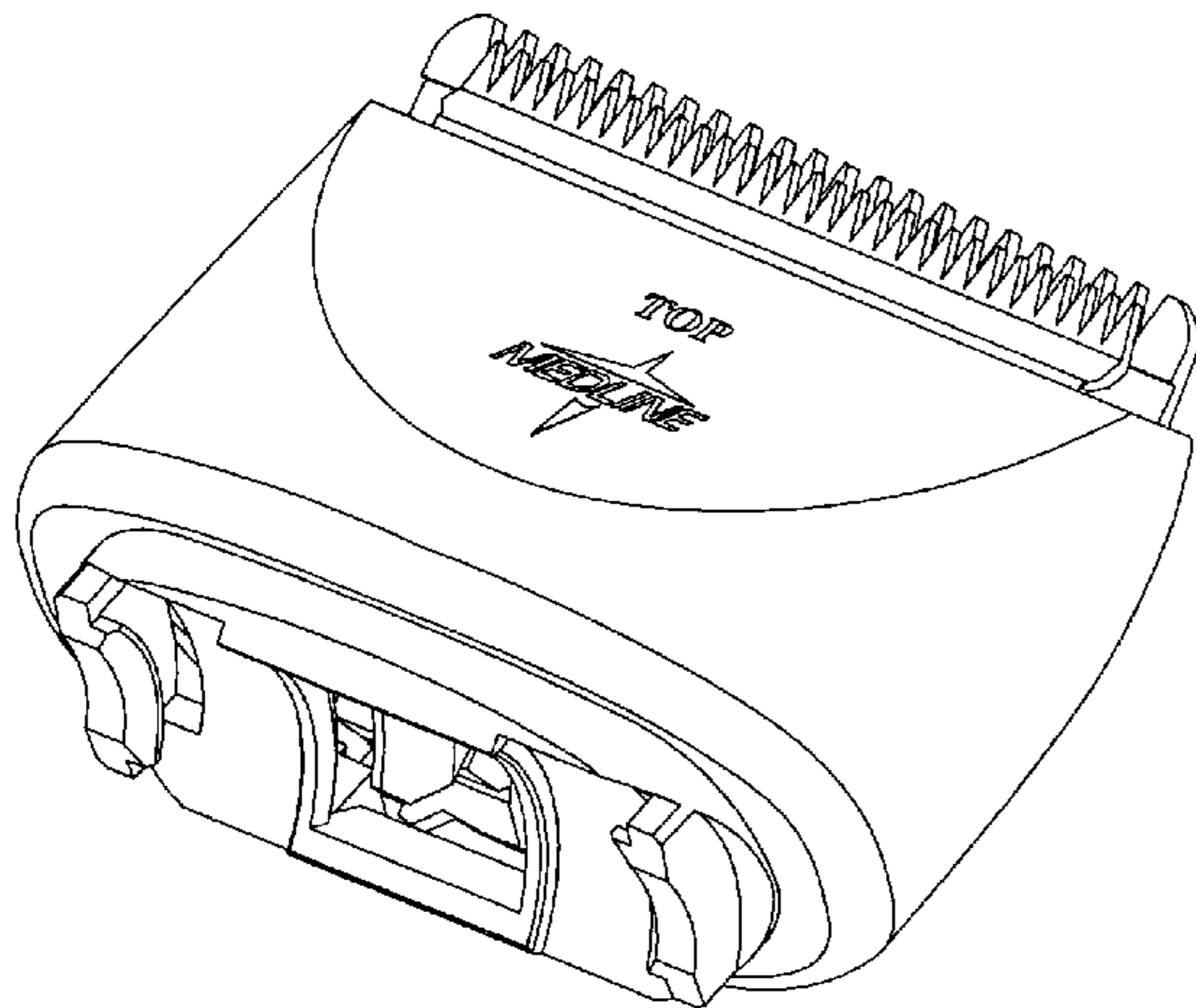
FIG. 6 is a planar right view thereof;

FIG. 7 is a planar front view thereof; and,

FIG. 8 is a planar rear view thereof.

The labeling “Medline” forming part of the claimed design is a registered trademark of Medline Industries, Inc.

1 Claim, 5 Drawing Sheets



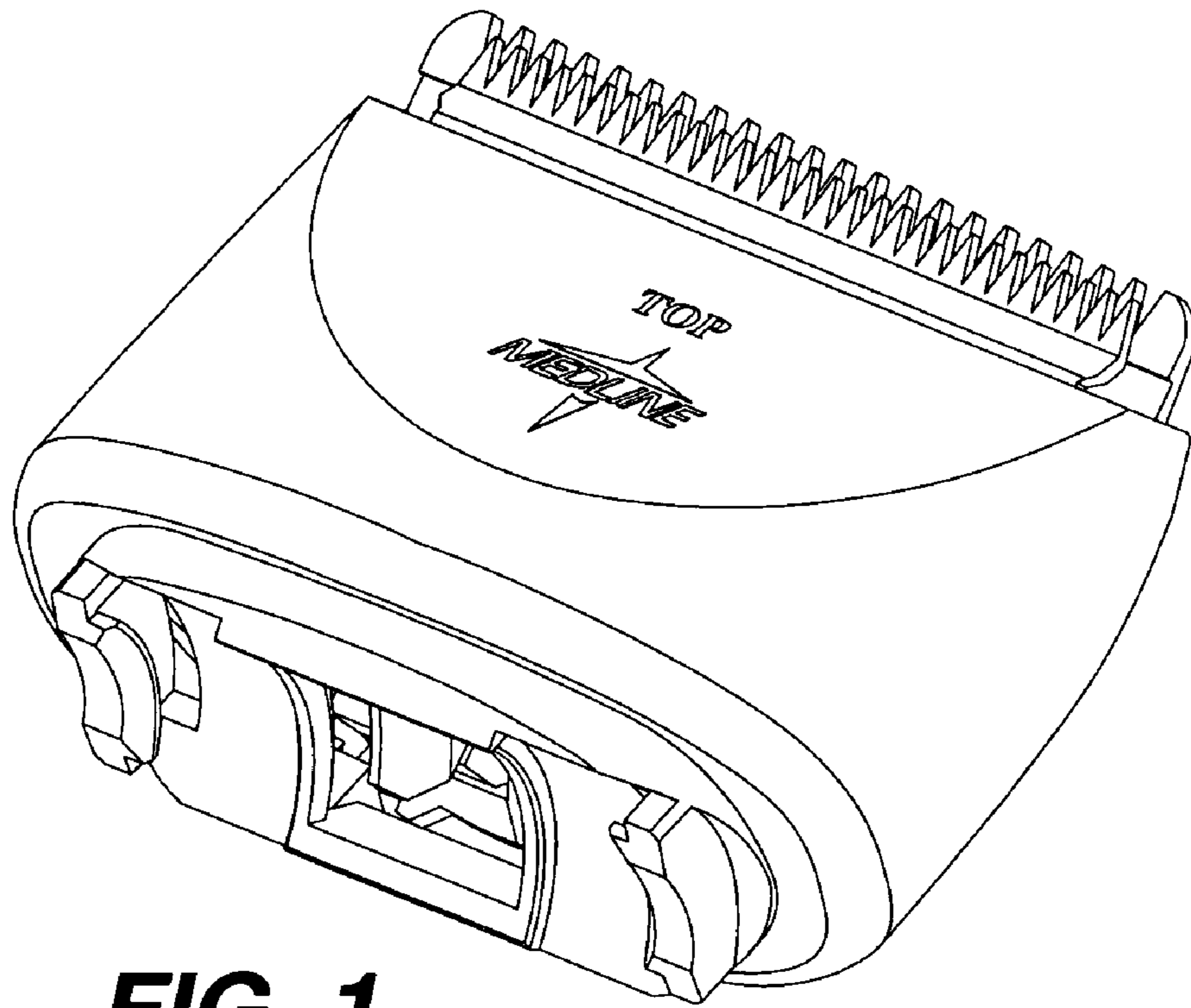


FIG. 1

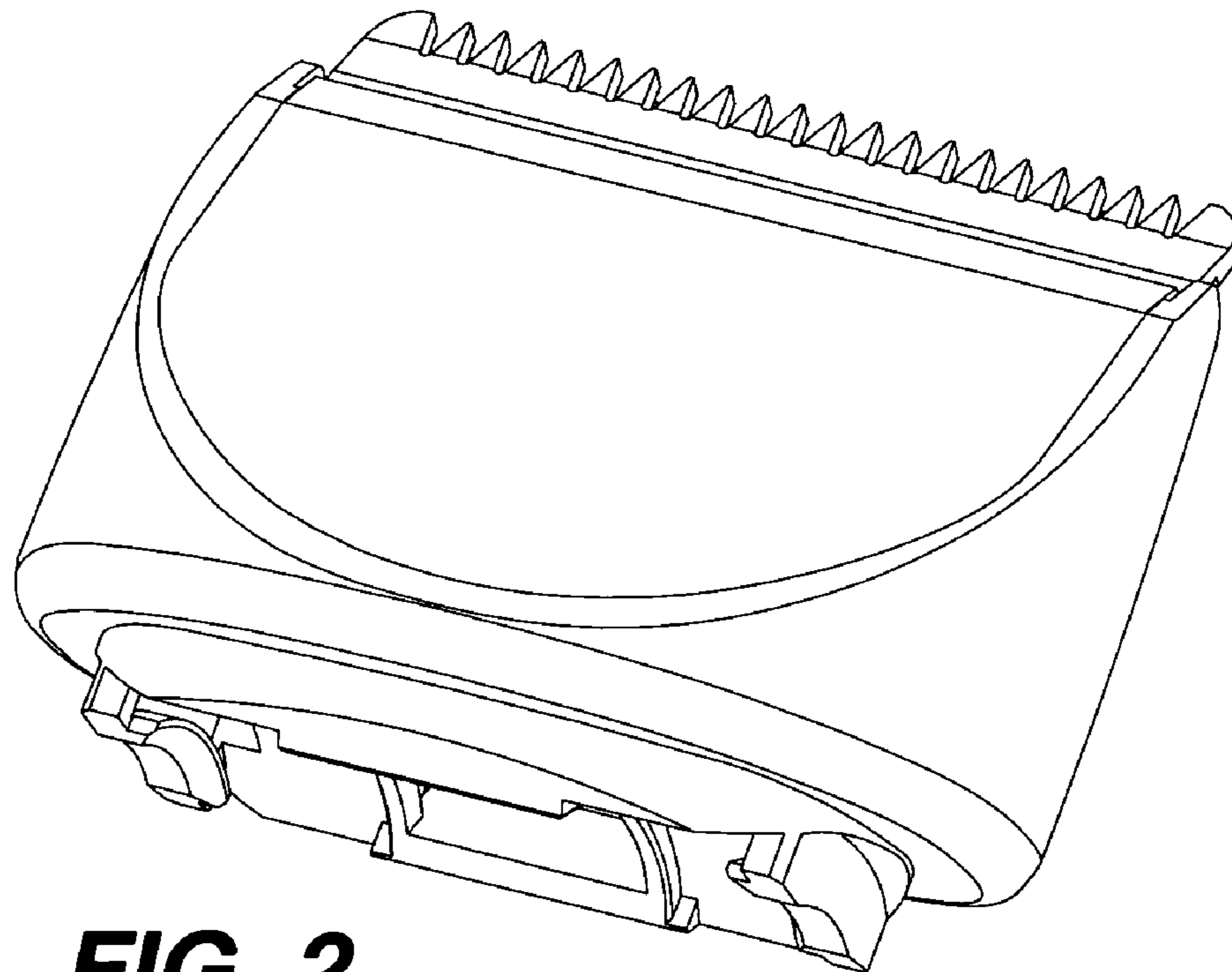


FIG. 2

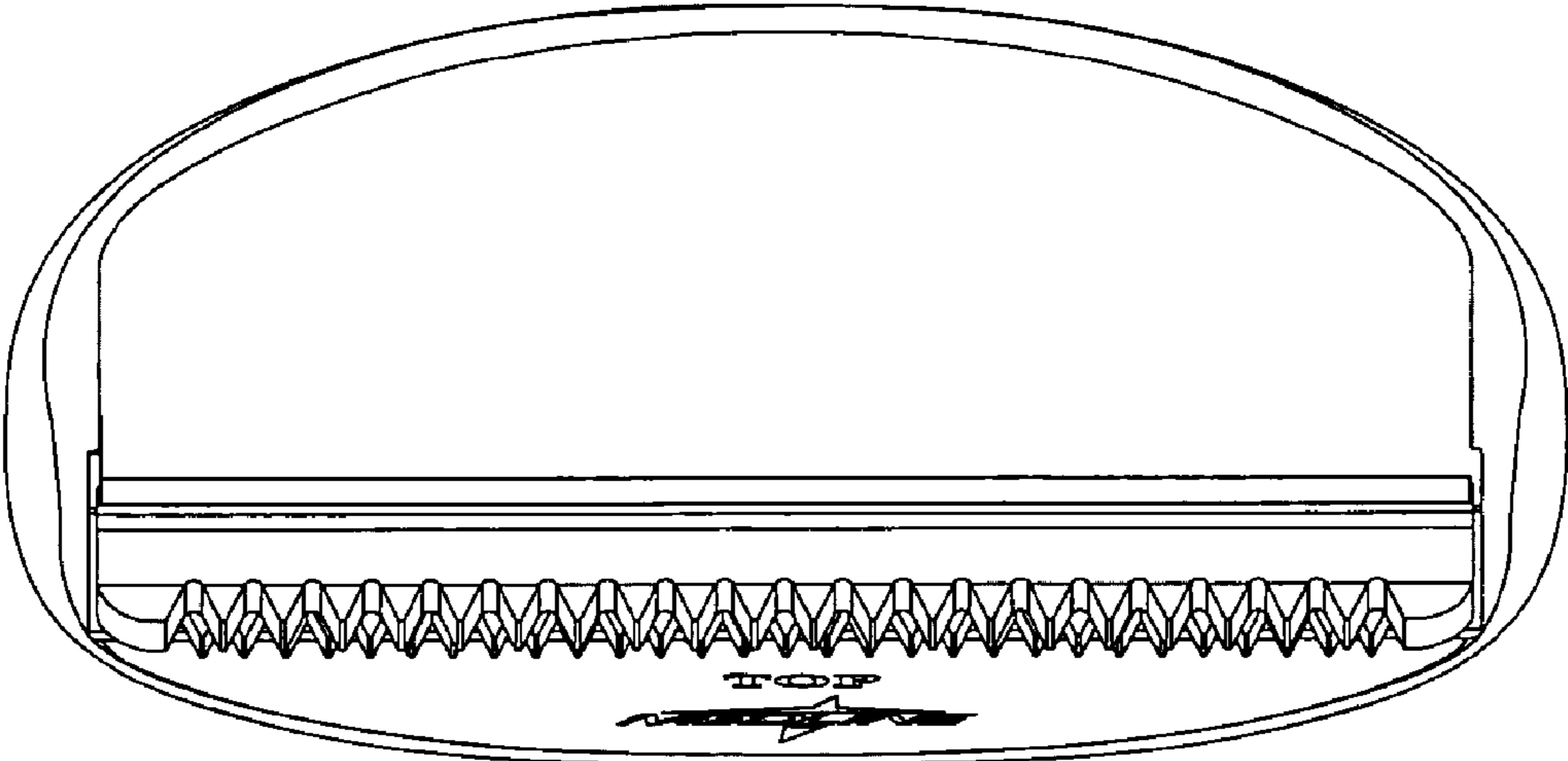


FIG. 3

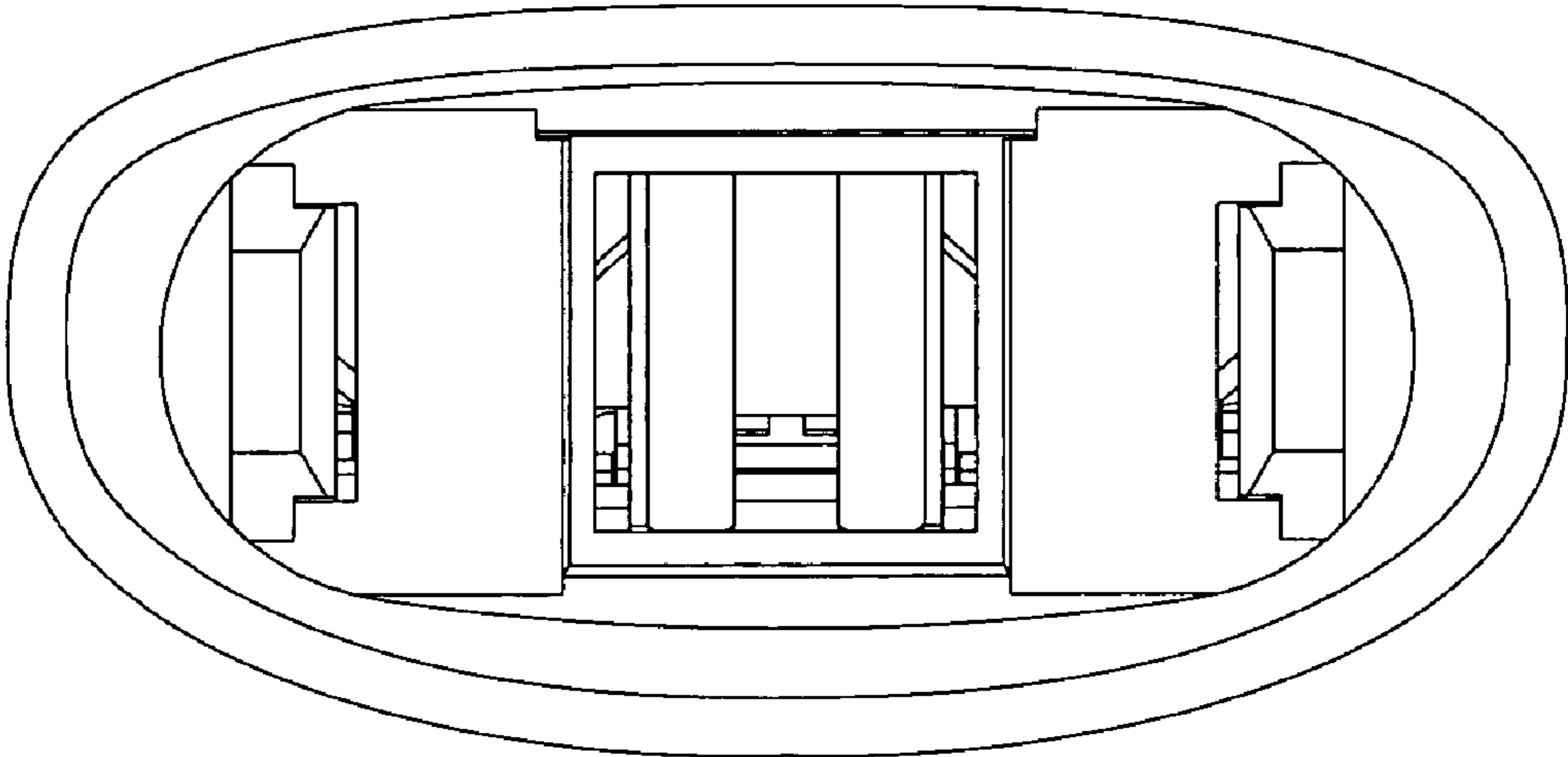


FIG. 4

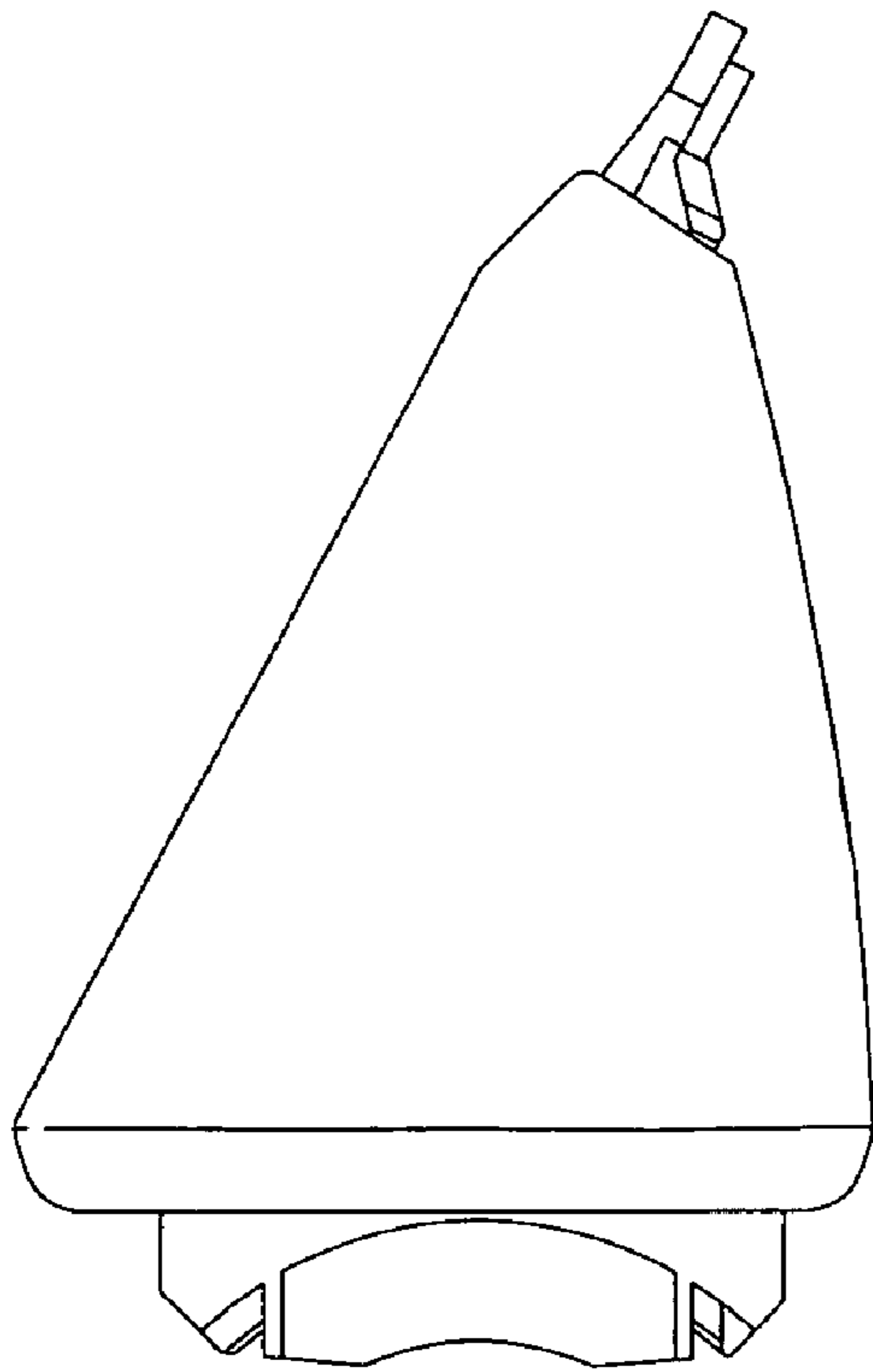


FIG. 5

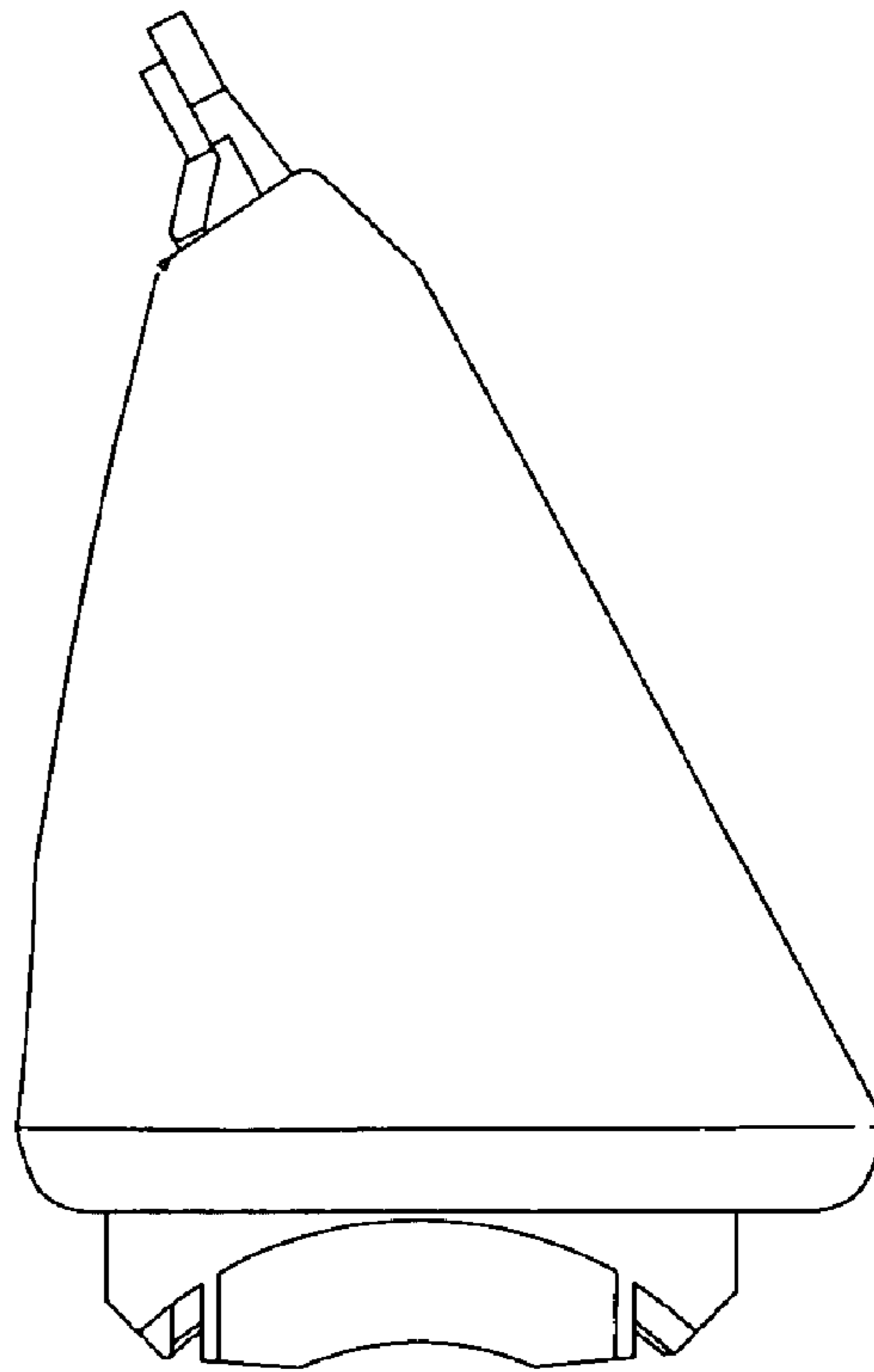


FIG. 6

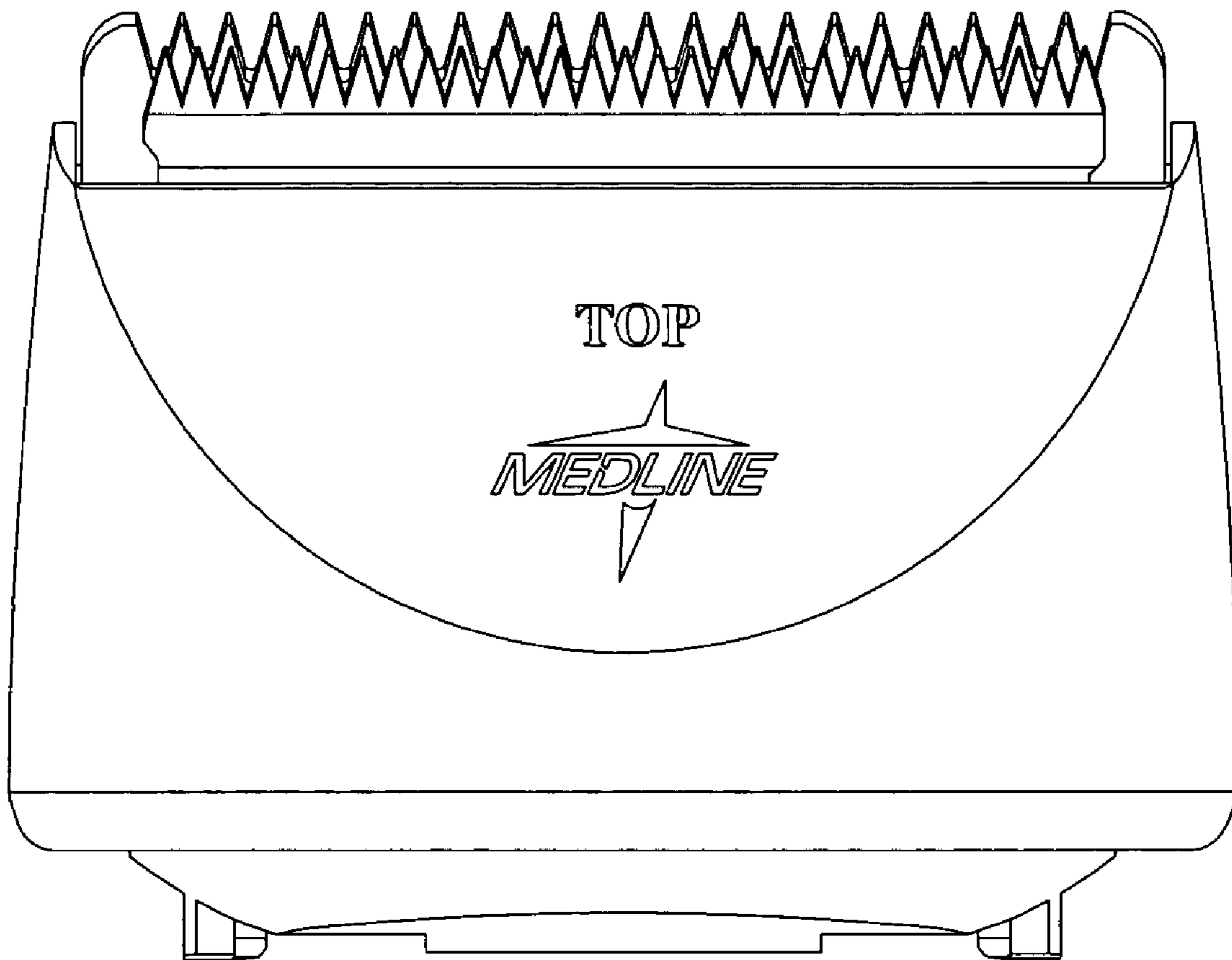


FIG. 7

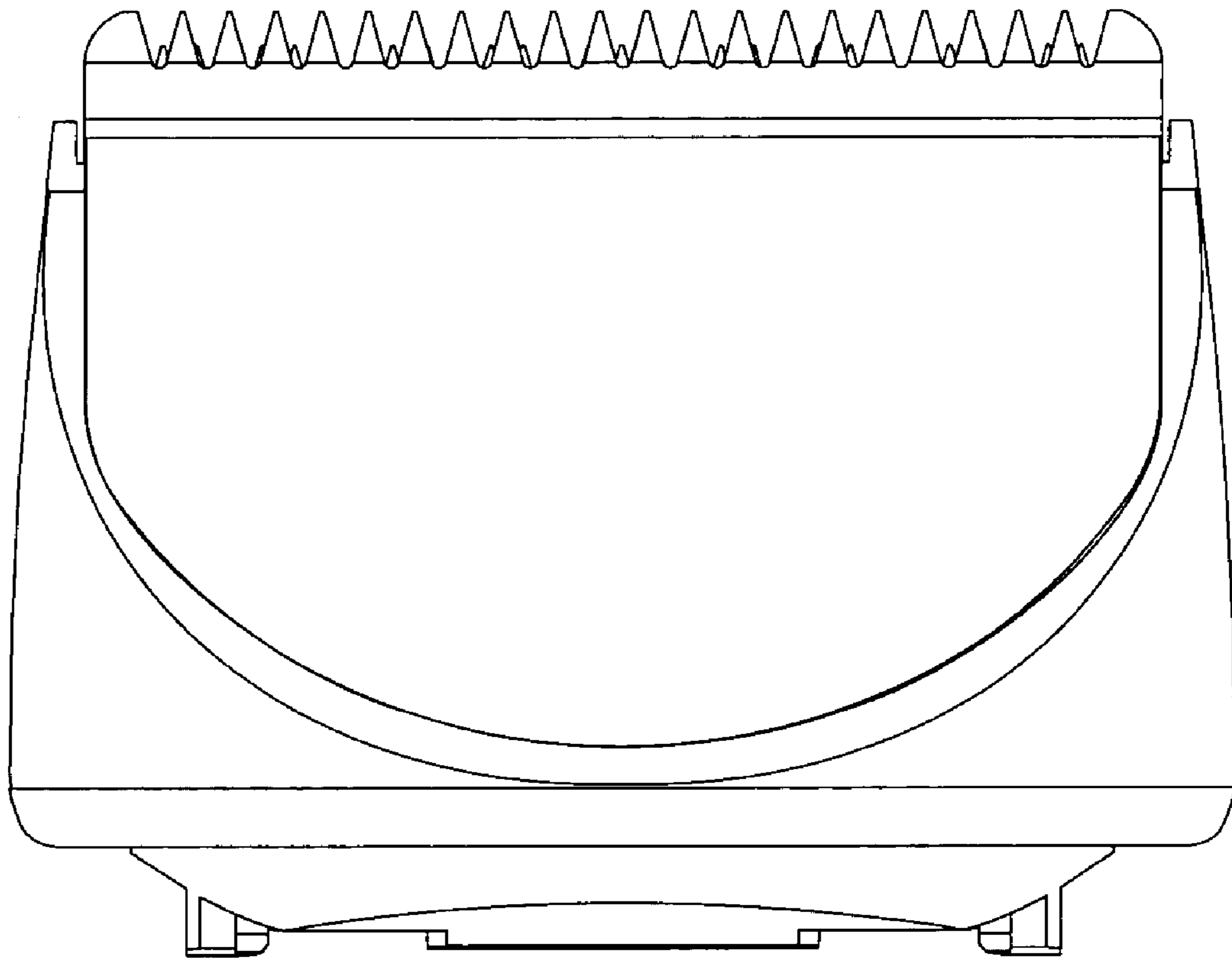


FIG. 8