



US00D583094S

(12) **United States Design Patent**  
**Chan**

(10) **Patent No.:** **US D583,094 S**  
(45) **Date of Patent:** **\*\* Dec. 16, 2008**

(54) **WALL SCONCE**

(75) Inventor: **Erik S. Chan**, Orinda, CA (US)

(73) Assignee: **Boyd Lighting Fixture Company**, San Francisco, CA (US)

(\*\*) Term: **14 Years**

(21) Appl. No.: **29/280,862**

(22) Filed: **Jun. 8, 2007**

(51) **LOC (8) Cl.** ..... **26-99**

(52) **U.S. Cl.** ..... **D26/155**

(58) **Field of Classification Search** ..... D26/81,  
D26/155, 145, 86, 87, 113, 118, 128, 138,  
D26/85, 92, 97, 94, 65, 63, 62, 107, 142,  
D26/140, 120, 2, 25, 26, 37, 46, 72, 75, 76,  
D26/79, 103, 119, 124; 362/311, 309, 308,  
362/242, 147, 360, 151, 644, 654, 260, 363,  
362/382, 395, 410, 432

See application file for complete search history.

(56) **References Cited**

**U.S. PATENT DOCUMENTS**

D262,321 S \* 12/1981 Kvasnicka ..... D26/87  
D466,248 S \* 11/2002 Dolan ..... D26/155  
D473,001 S \* 4/2003 Hoernig ..... D26/80

D473,005 S \* 4/2003 Hoernig ..... D26/87  
D473,675 S \* 4/2003 Lee ..... D26/87  
D481,150 S \* 10/2003 Lee ..... D26/81  
D487,815 S \* 3/2004 Hoernig ..... D26/87  
D518,593 S \* 4/2006 Lee ..... D26/86

\* cited by examiner

*Primary Examiner*—Freda S. Nunn

*Assistant Examiner*—Kevin K Rudzinski

(74) *Attorney, Agent, or Firm*—Heslin Rothenberg Farley & Mesiti P.C.

(57) **CLAIM**

The ornamental design for a wall sconce, as shown and described.

**DESCRIPTION**

FIG. 1 is a perspective view of a wall sconce comprising the new design;

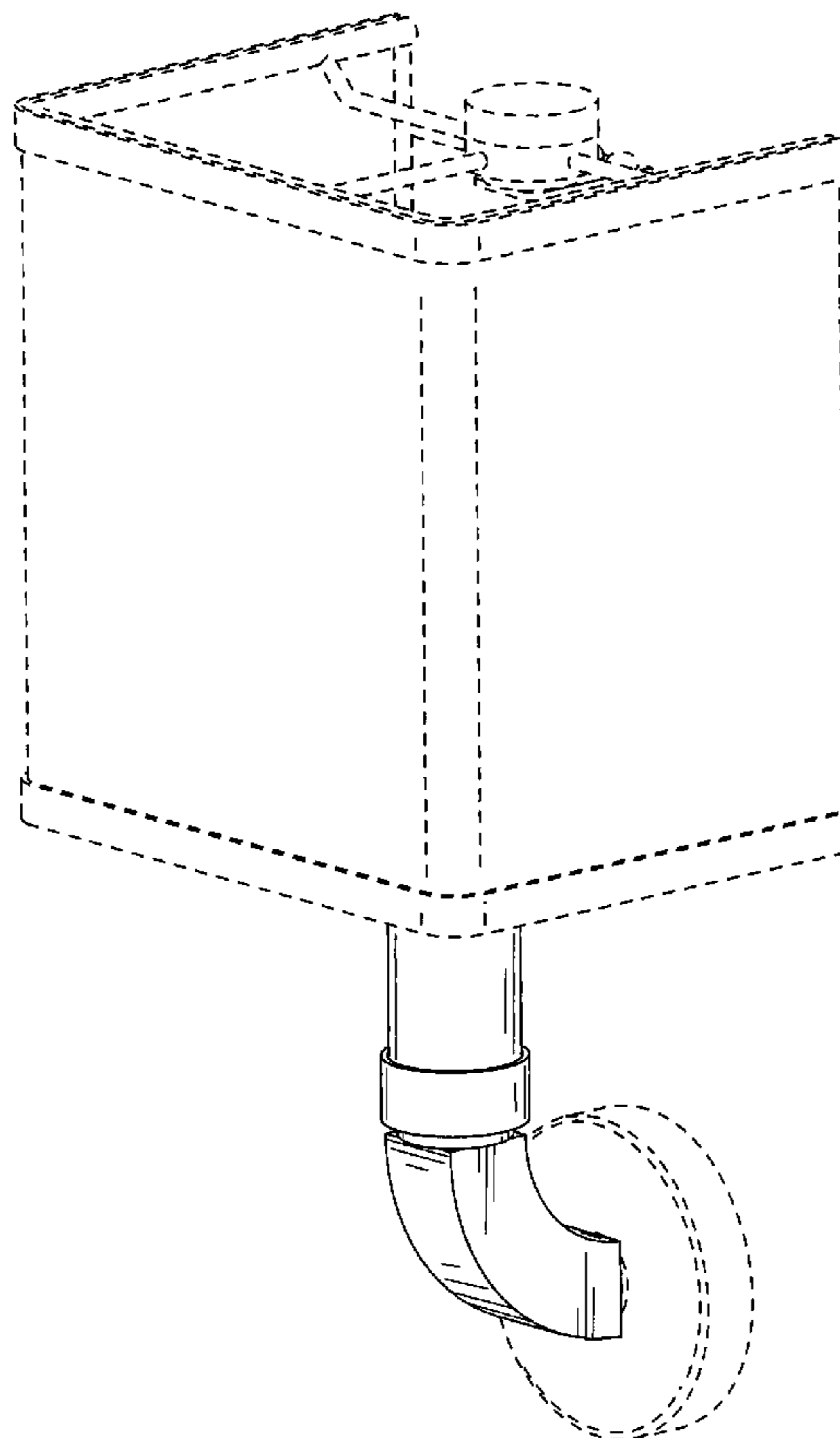
FIG. 2 is a front elevational view thereof;

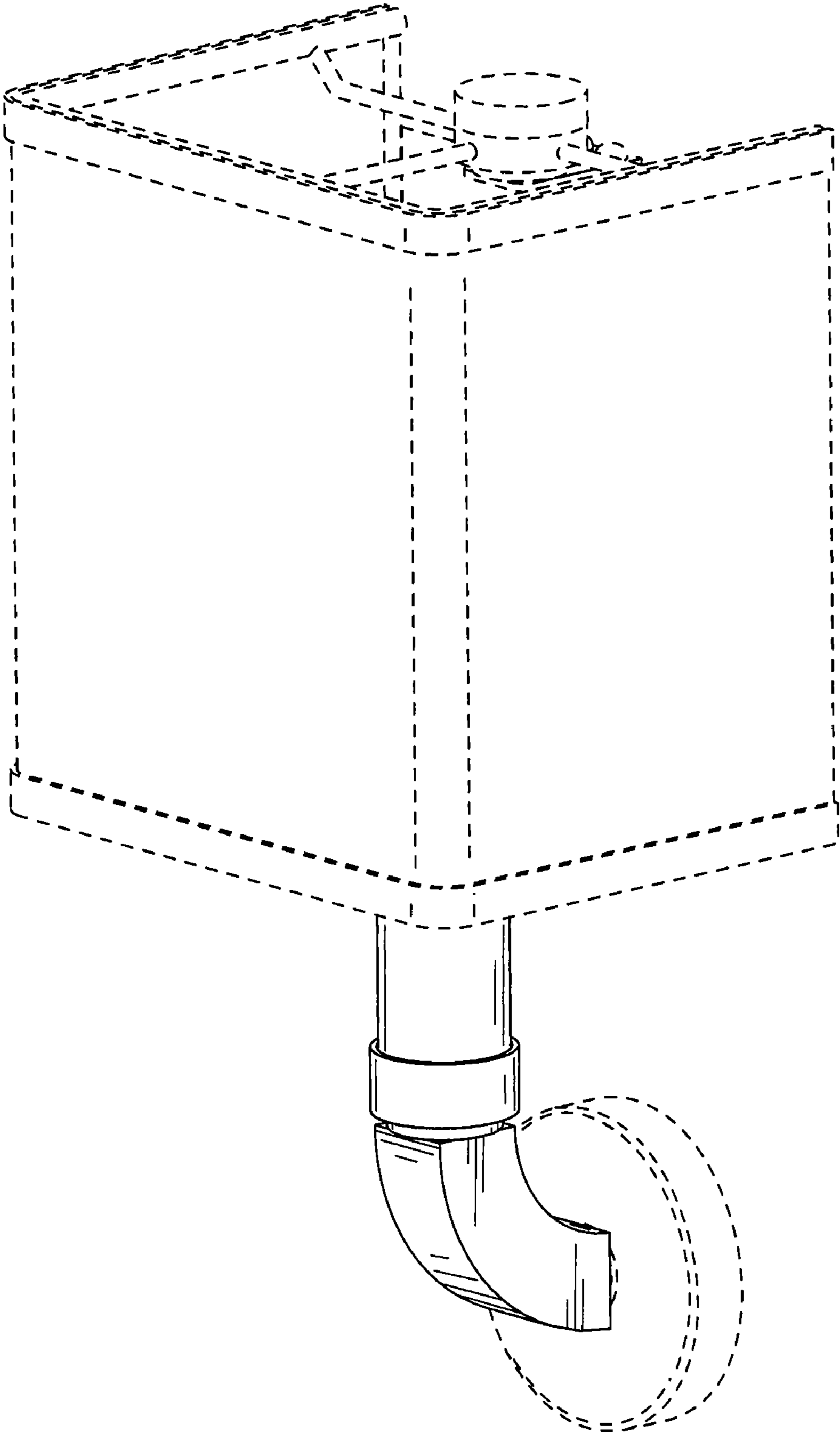
FIG. 3 is a right side elevational view thereof, a left side elevational view being a mirror image thereof; and,

FIG. 4 is bottom view thereof.

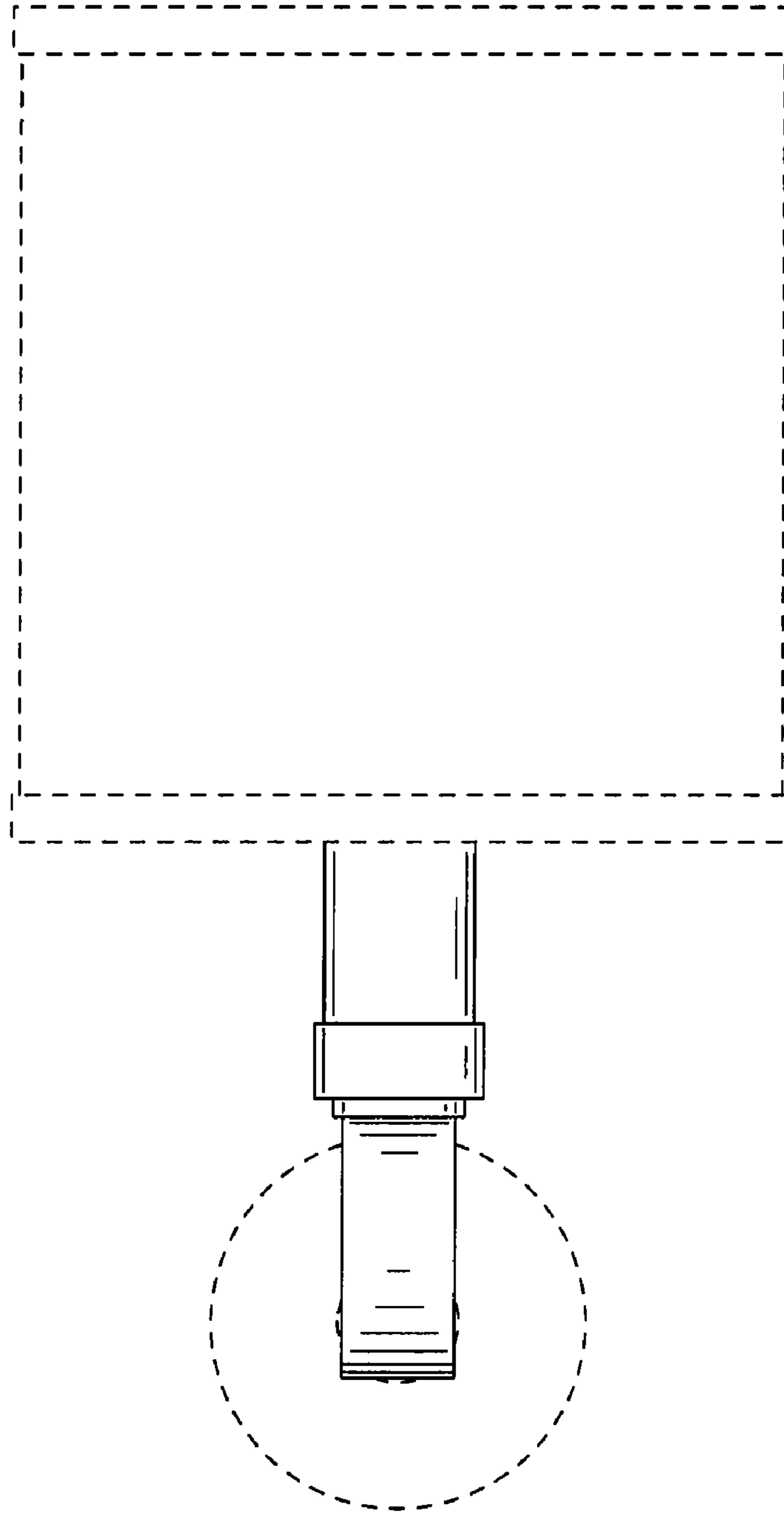
The broken lines in the figures are for illustration purposes only and form no part of the claimed invention.

**1 Claim, 4 Drawing Sheets**

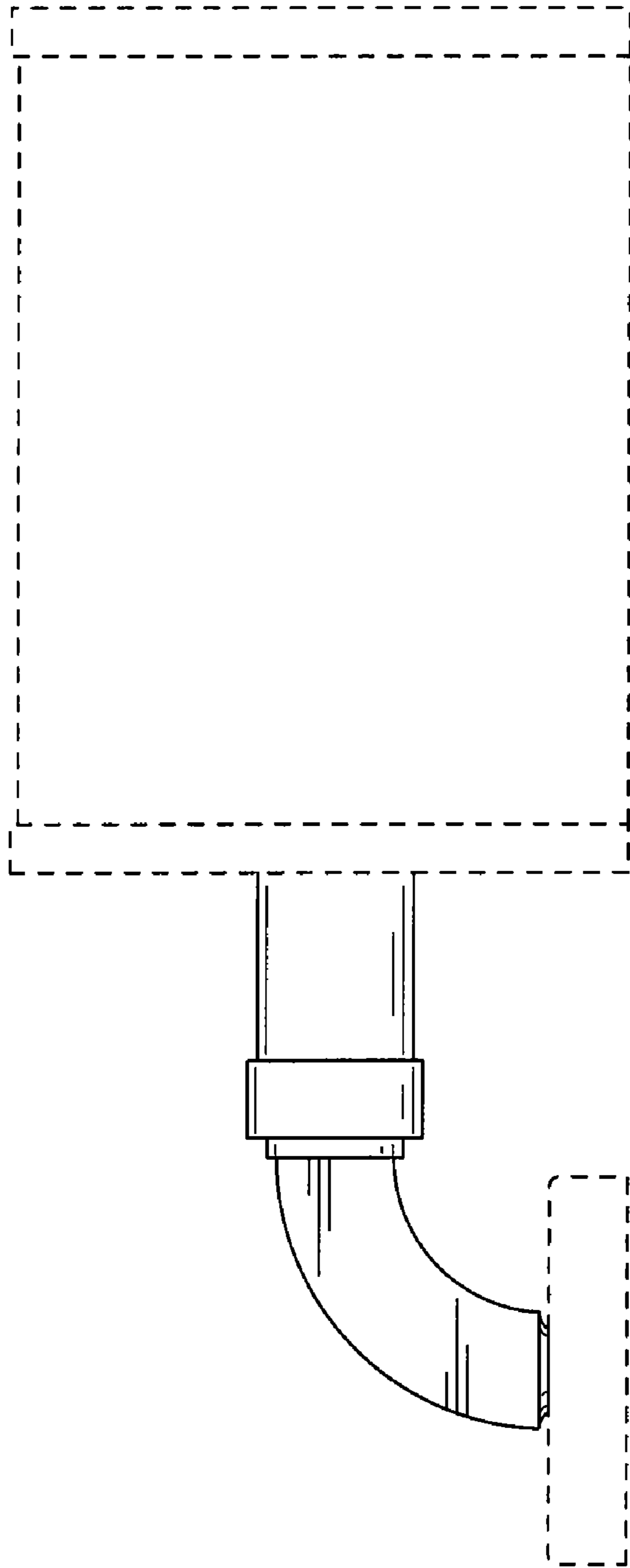




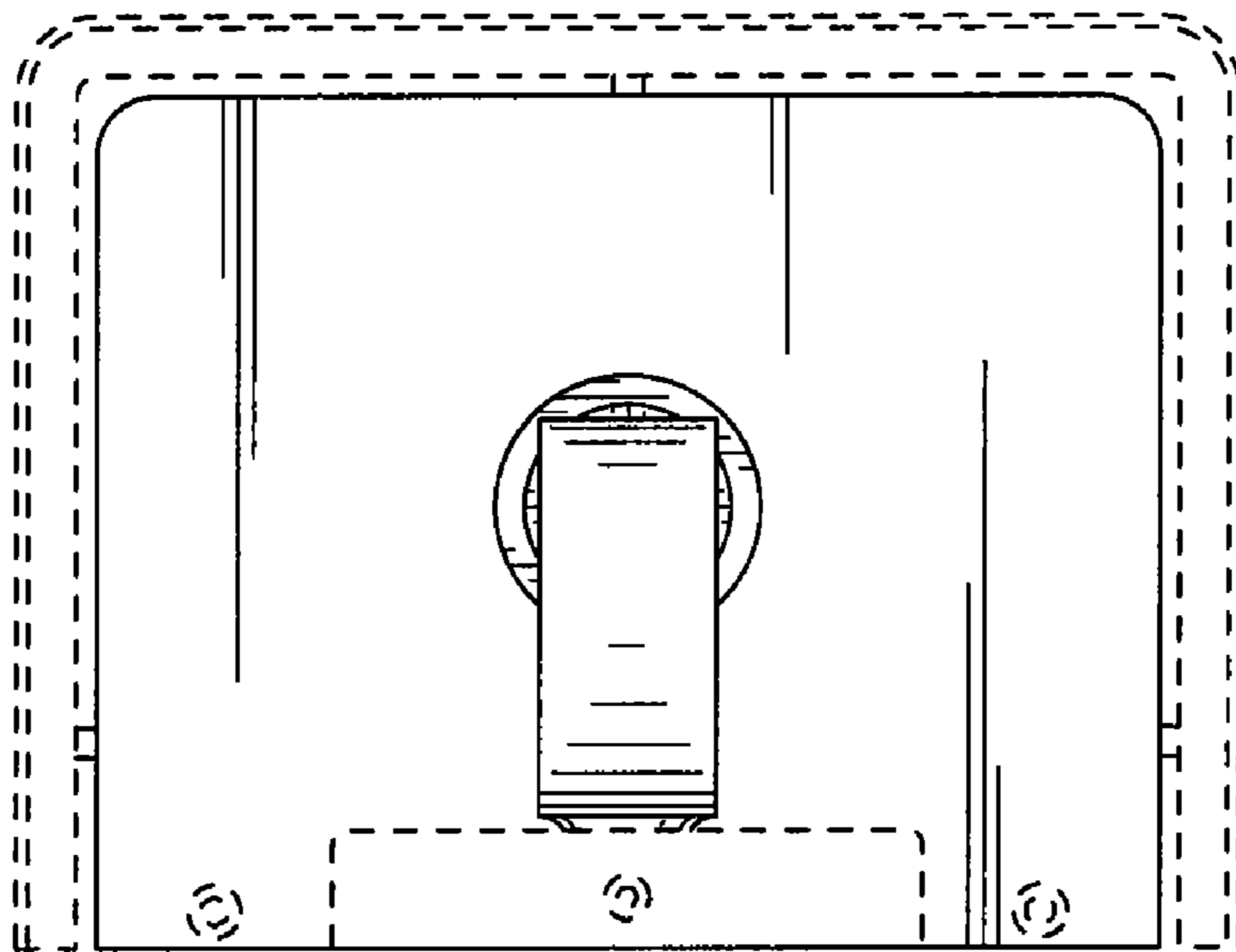
**FIG. 1**



**FIG. 2**



**FIG. 3**



**FIG. 4**