



US00D583088S

(12) **United States Design Patent**
Leung et al.

(10) **Patent No.:** **US D583,088 S**

(45) **Date of Patent:** **** Dec. 16, 2008**

(54) **LIGHT**

(76) Inventors: **Benson Chung-Pun Leung**, Unit 901, 53-57 Kwai Fung Crescent, Kwai Chung, New Territories (HK); **Ambrose Shing-Yin Leung**, Unit 901, 53-57 Kwai Fung Crescent, Kwai Chung, New Territories (HK)

(**) Term: **14 Years**

(21) Appl. No.: **29/292,876**

(22) Filed: **Oct. 31, 2007**

(51) **LOC (8) Cl.** **26-05**

(52) **U.S. Cl.** **D26/63**

(58) **Field of Classification Search** D26/60-68, D26/72; 362/269-271, 273, 285, 287, 289, 362/382, 396, 418, 426, 427, 430, 648, 650

See application file for complete search history.

(56) **References Cited**

U.S. PATENT DOCUMENTS

D366,712 S * 1/1996 Hanson et al. D26/63
D507,373 S * 7/2005 Kim D26/80
D532,918 S * 11/2006 Lay et al. D26/80

* cited by examiner

Primary Examiner—Cathron C Brooks

Assistant Examiner—Barbara Fox

(74) *Attorney, Agent, or Firm*—McDermott Will & Emery LLP

(57) **CLAIM**

We claim the ornamental design for a light, as shown and described.

DESCRIPTION

FIG. 1 is a perspective view of a light showing our new design;

FIG. 2 is a front view of the light shown in FIG. 1;

FIG. 3 is a top view of the light shown in FIG. 1;

FIG. 4 is a bottom view of the light shown in FIG. 1;

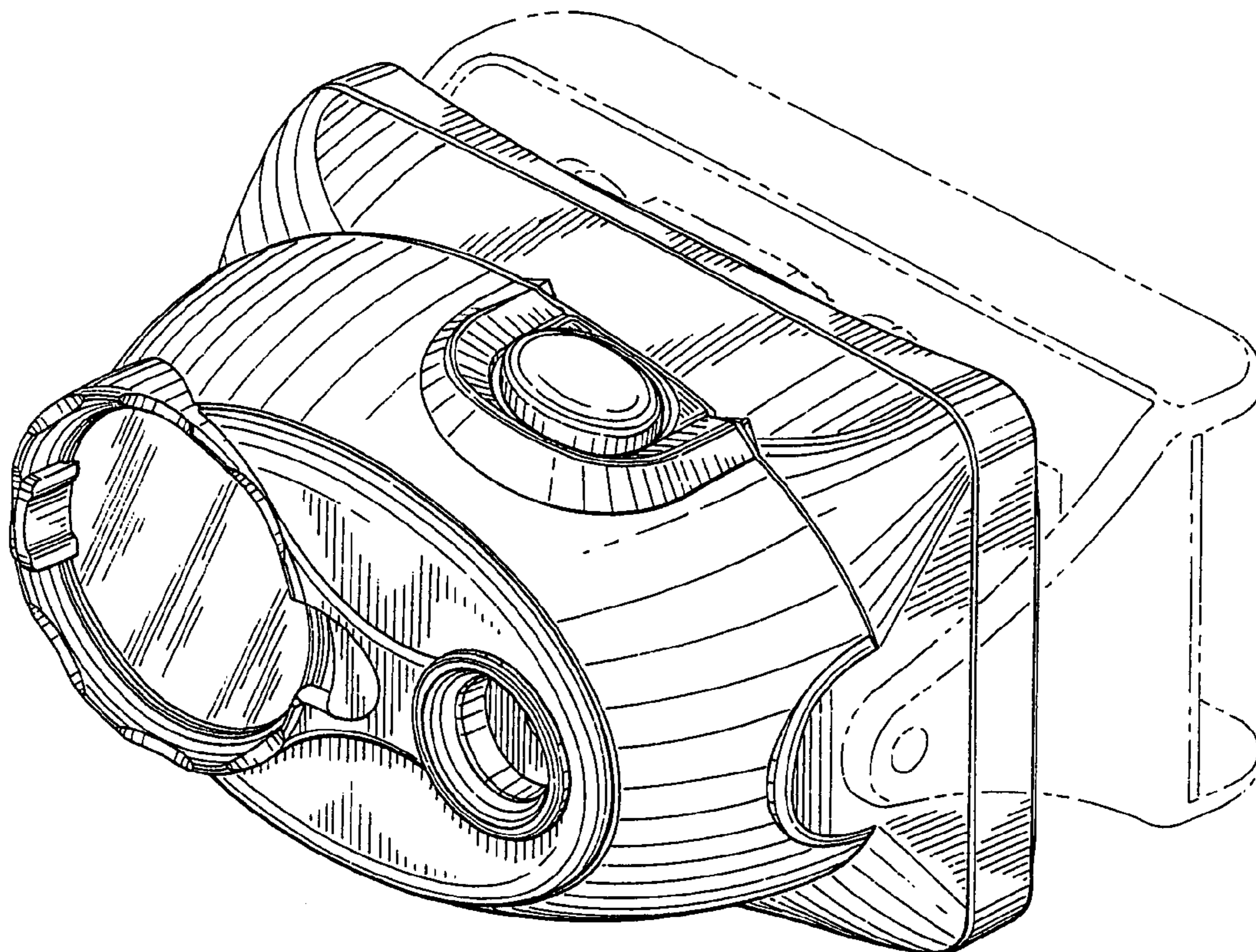
FIG. 5 is a right view of the light shown in FIG. 1;

FIG. 6 is a left view of the light shown in FIG. 1; and,

FIG. 7 is a rear view of the light shown in FIG. 1.

Features shown in broken lines in the drawings are not part of the claim.

1 Claim, 3 Drawing Sheets



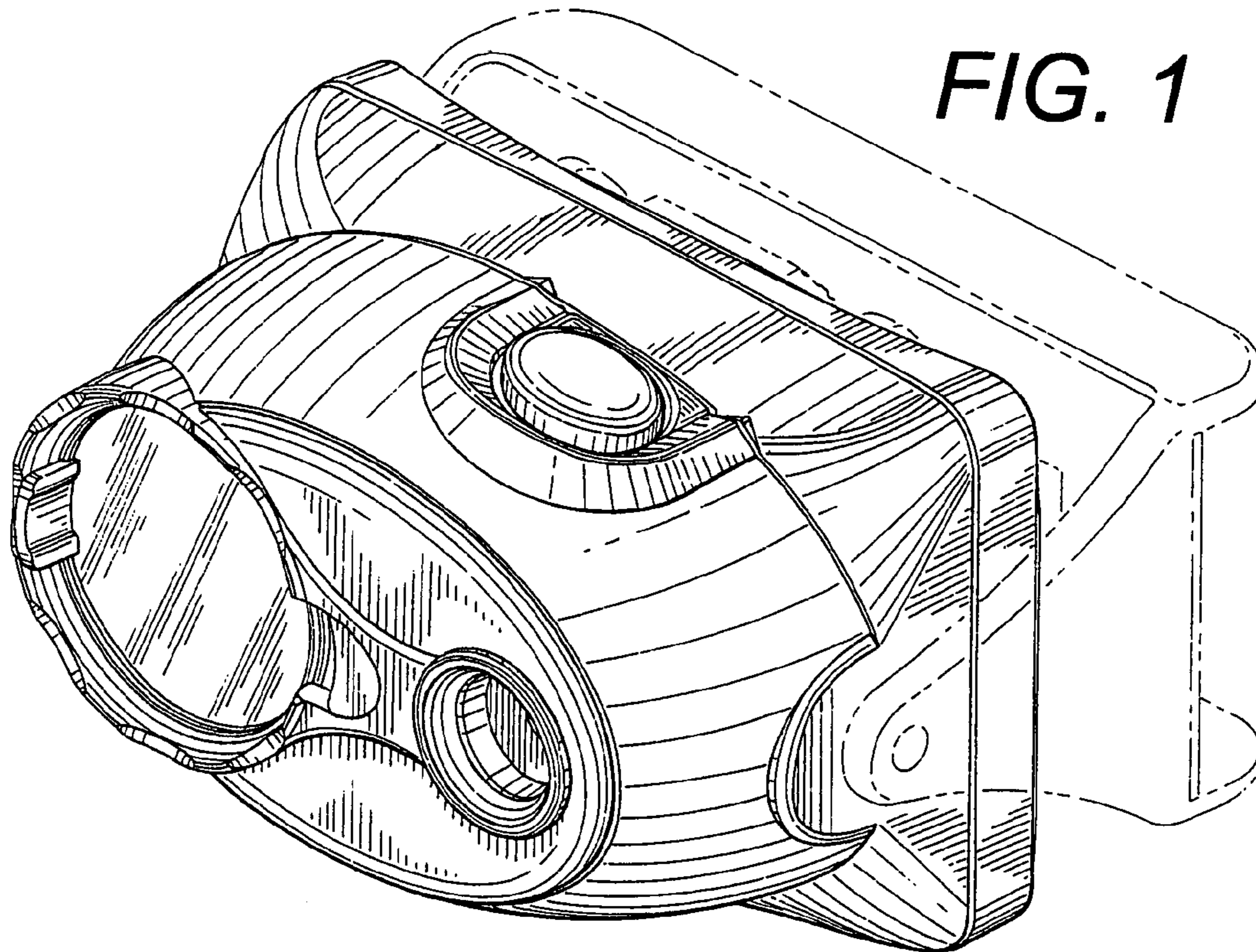


FIG. 1

FIG. 2

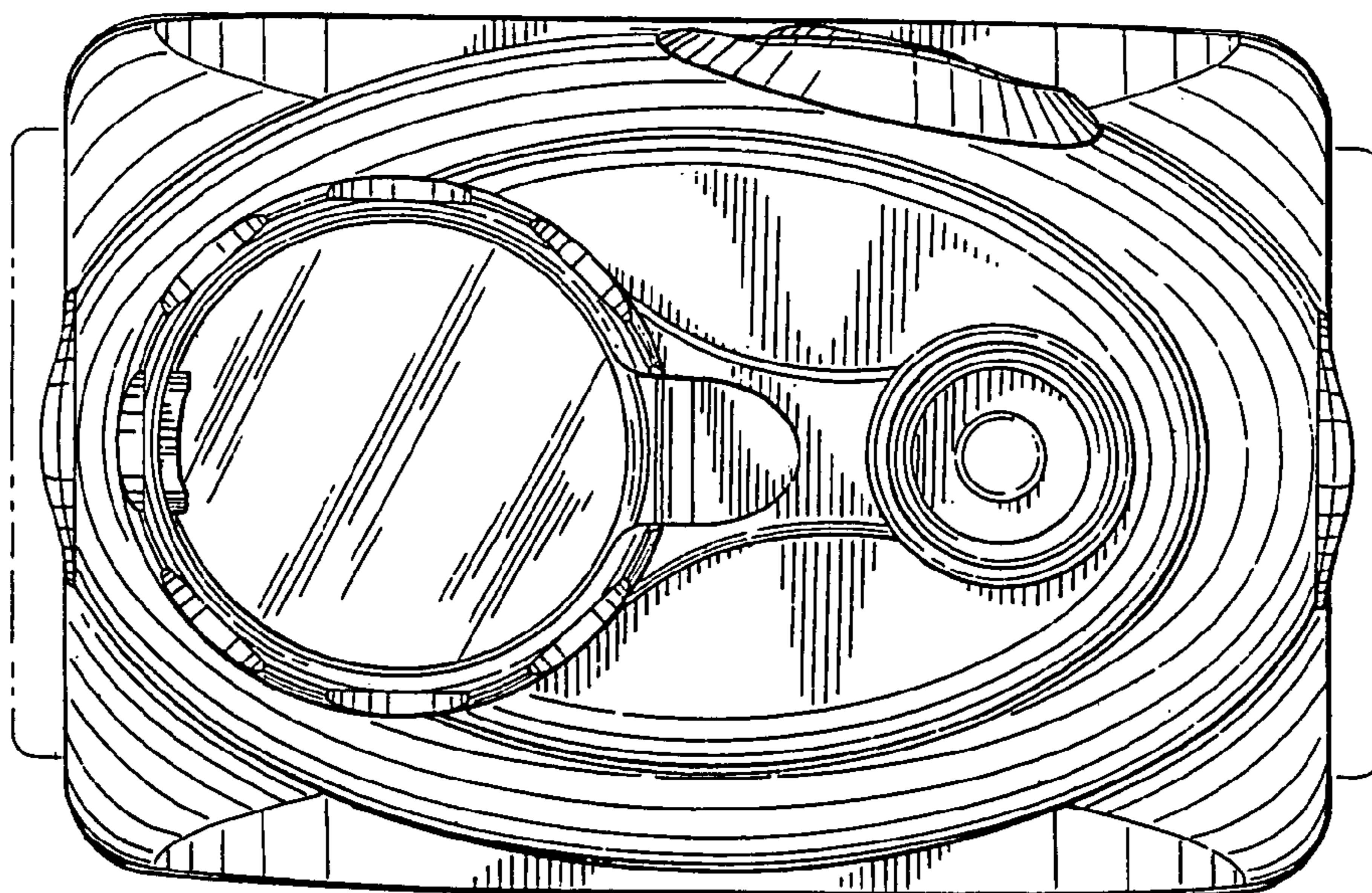


FIG. 3

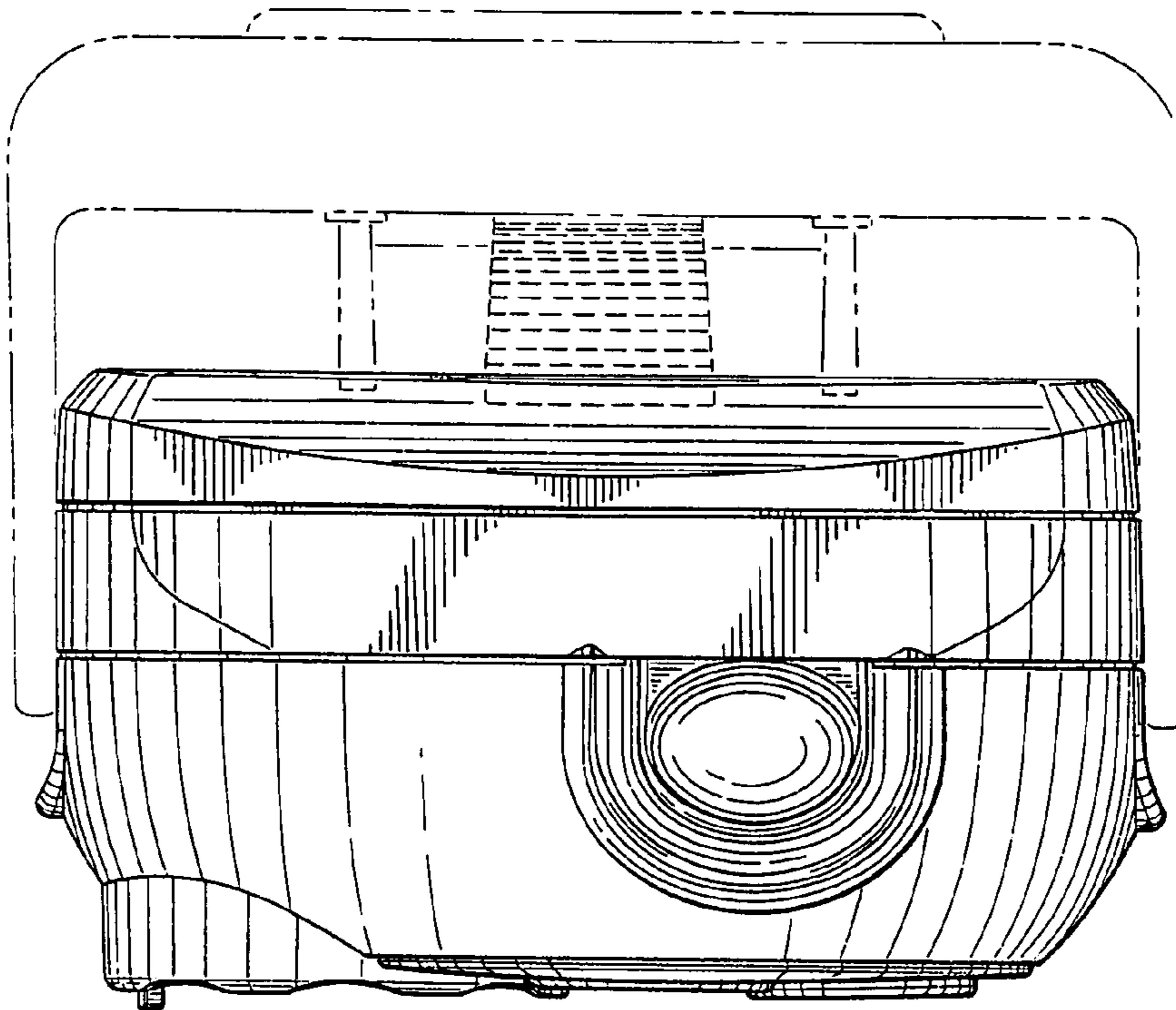


FIG. 4

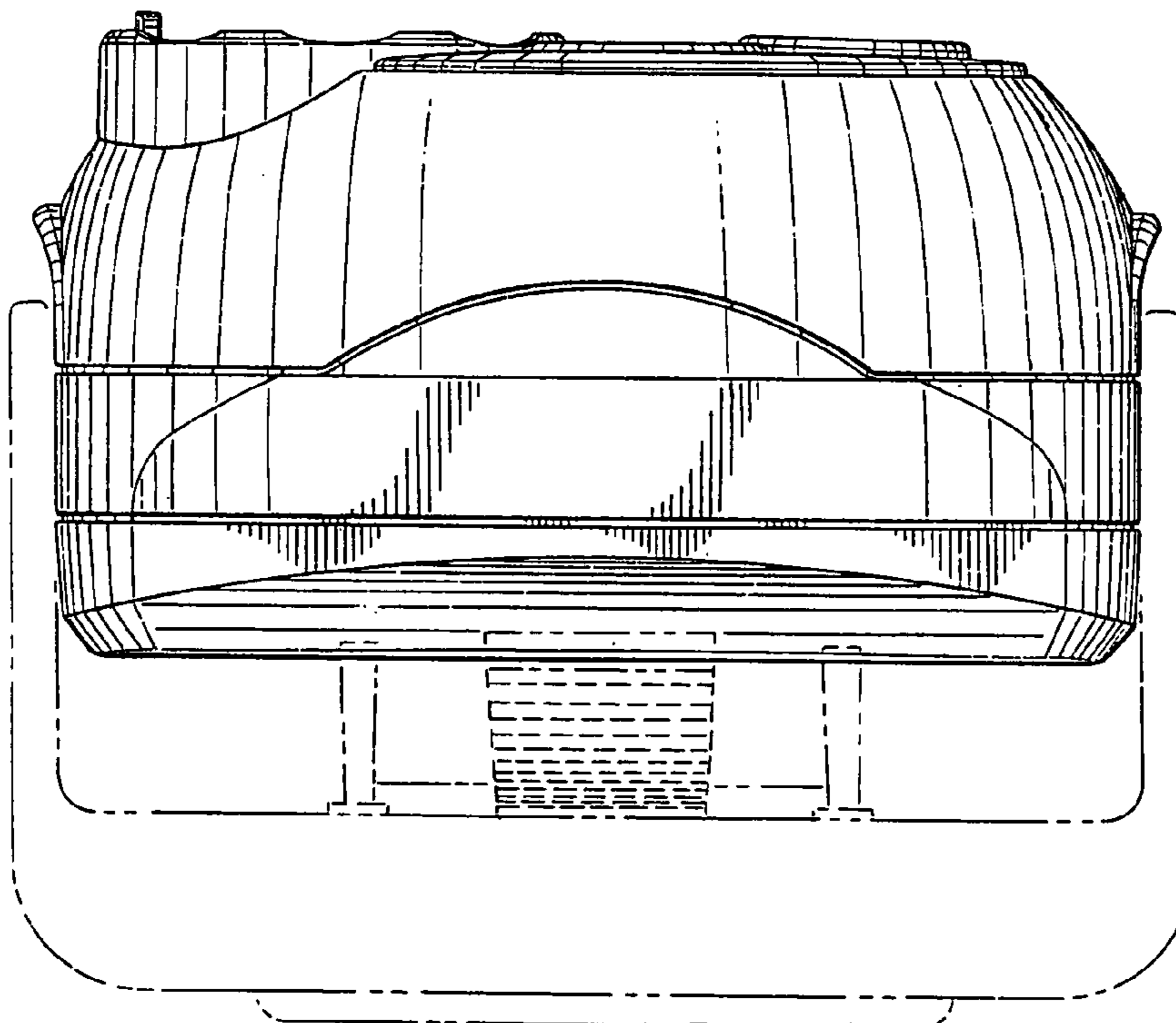


FIG. 5

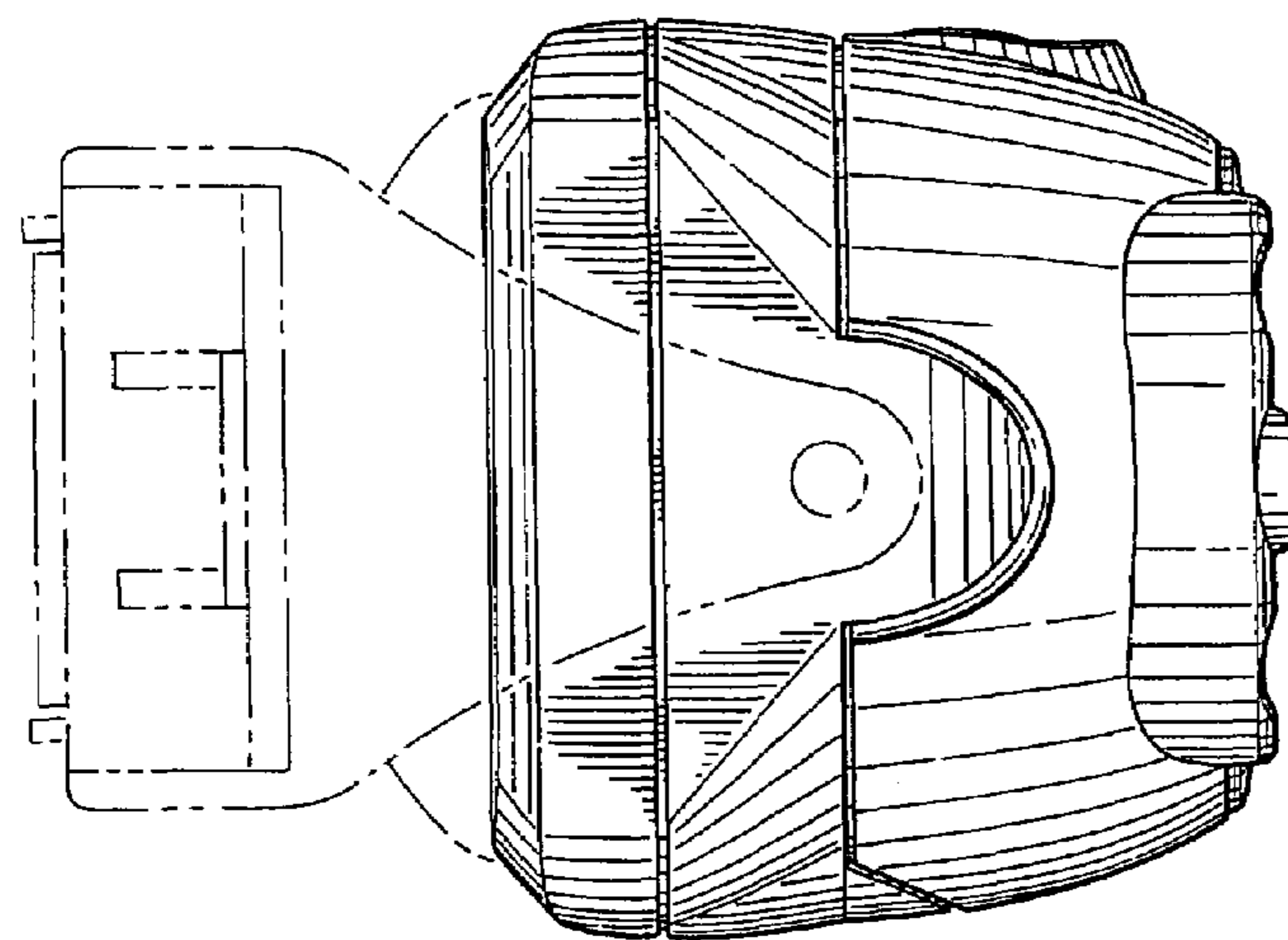
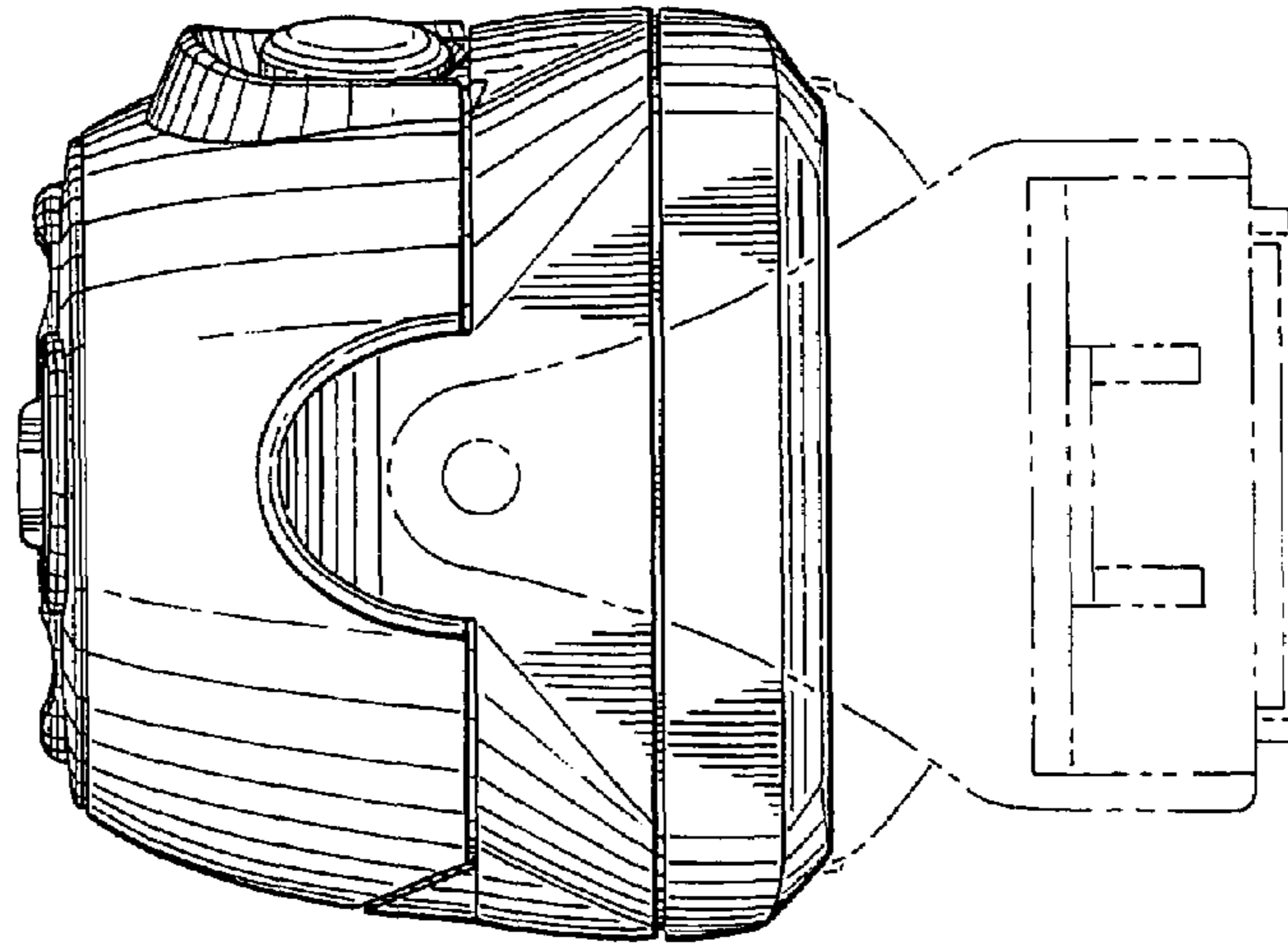


FIG. 6

FIG. 7

