



US00D583085S

(12) **United States Design Patent**  
**Yang**

(10) **Patent No.:** **US D583,085 S**

(45) **Date of Patent:** **\*\* Dec. 16, 2008**

(54) **AUTOMOBILE LAMP**

(76) **Inventor:** **Hsiu Pen Yang**, No. 427 Sec. 2, Wenhua Road, Panchiao, Taipei (TW)

(\*\*) **Term:** **14 Years**

(21) **Appl. No.:** **29/308,787**

(22) **Filed:** **Jul. 8, 2008**

(51) **LOC (8) Cl.** ..... **26-06**

(52) **U.S. Cl.** ..... **D26/28**

(58) **Field of Classification Search** ..... D26/28-36;  
362/459-468, 475-478, 485-487  
See application file for complete search history.

(56) **References Cited**

**U.S. PATENT DOCUMENTS**

D560,291 S *	1/2008	Koyama	.....	D26/28
D561,358 S *	2/2008	Tachibana	.....	D26/28
D561,359 S *	2/2008	Hsu	.....	D26/28

\* cited by examiner

*Primary Examiner*—Marcus A. Jackson  
*(74) Attorney, Agent, or Firm*—Law Offices of Roger C. Hsu; Charles R. Sutton

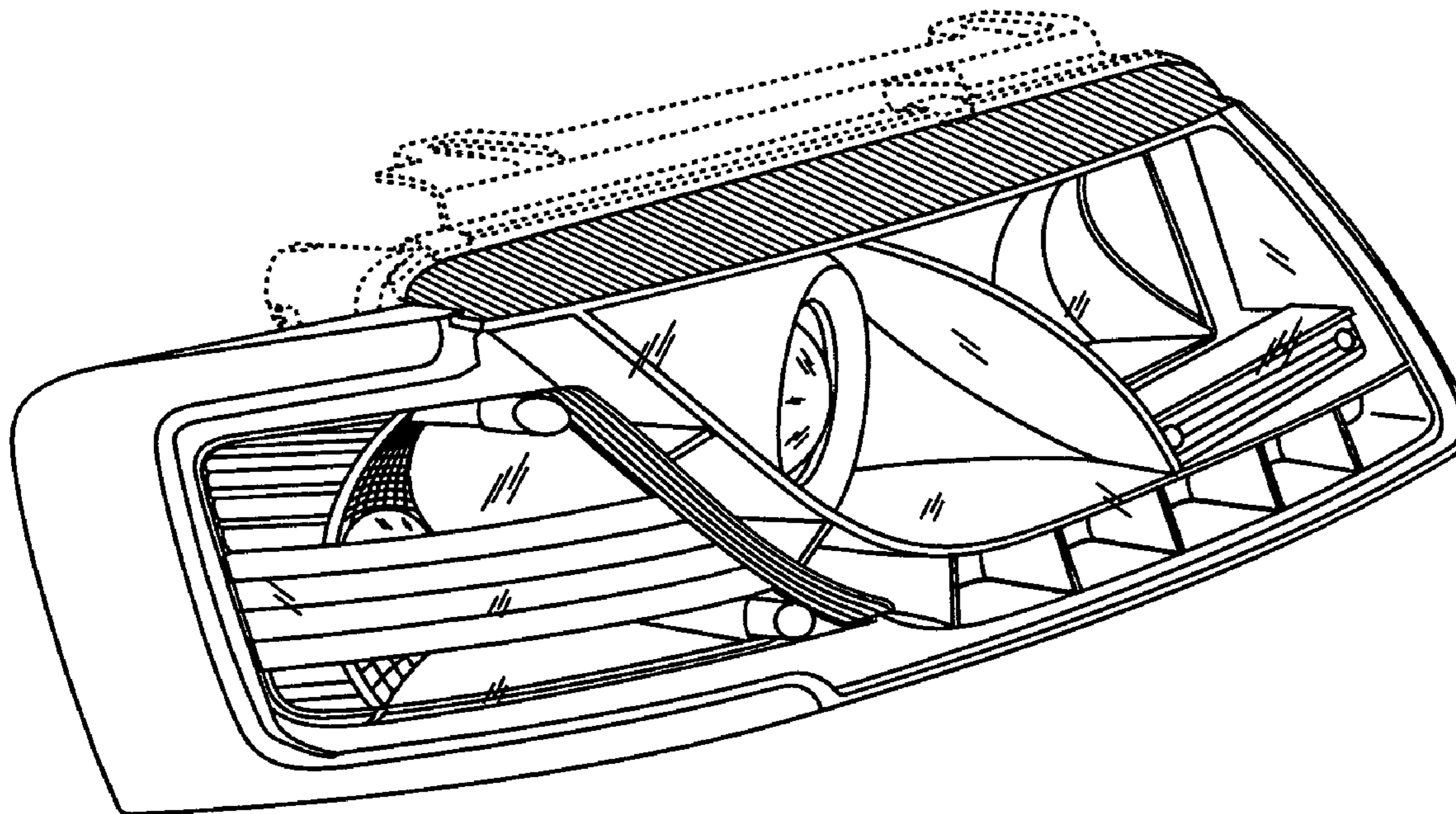
(57) **CLAIM**

The ornamental design for an automobile lamp, as shown and described.

**DESCRIPTION**

FIG. 1 is a perspective view of an automobile lamp showing my new design, with the broken line showing for illustrative purposes only and forming no part of the claimed design; FIG. 2 is a front elevational view thereof; FIG. 3 is a left side elevational view thereof; FIG. 4 is a right side elevational view thereof; FIG. 5 is a bottom plan view thereof; and, FIG. 6 is a top plan view thereof.

**1 Claim, 4 Drawing Sheets**



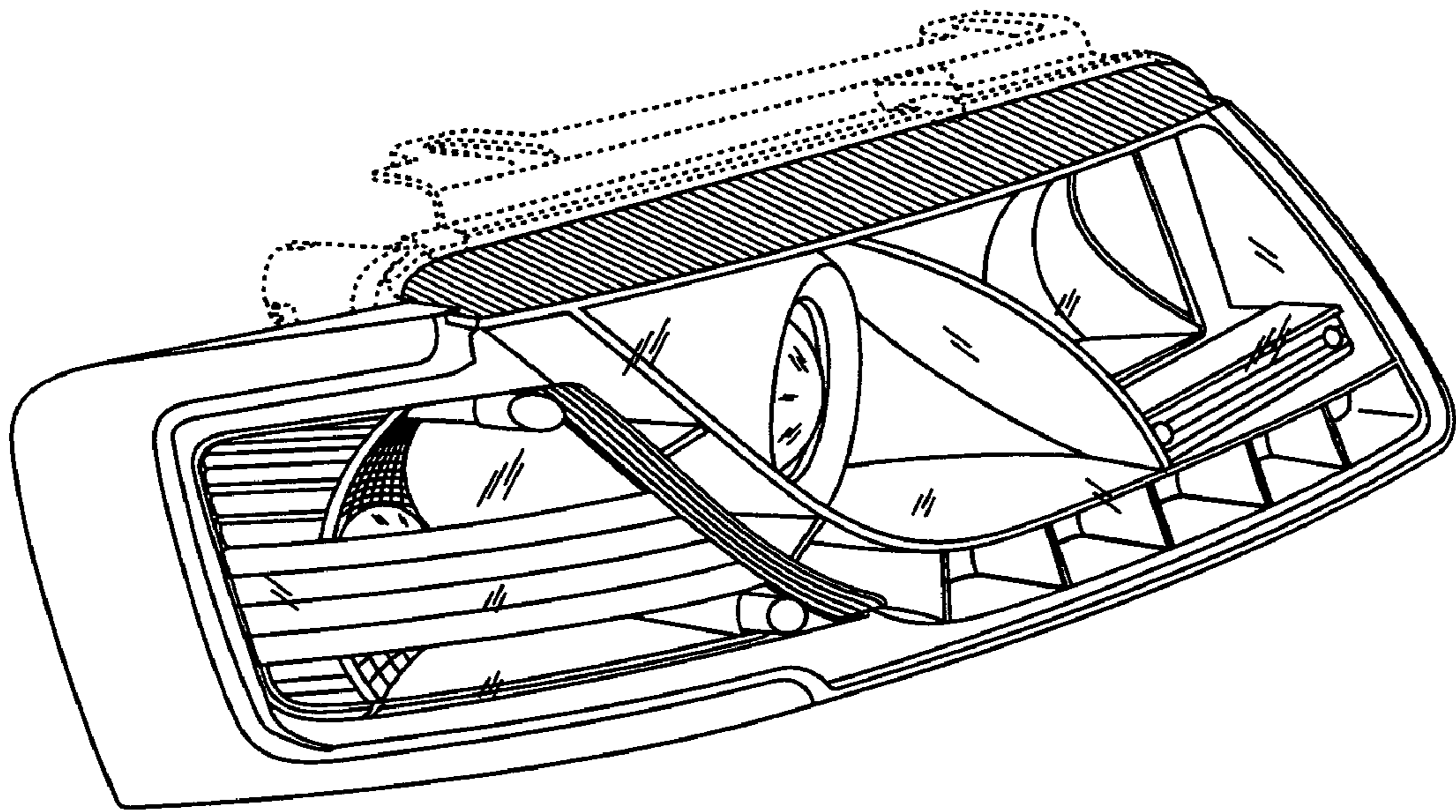


FIG. 1

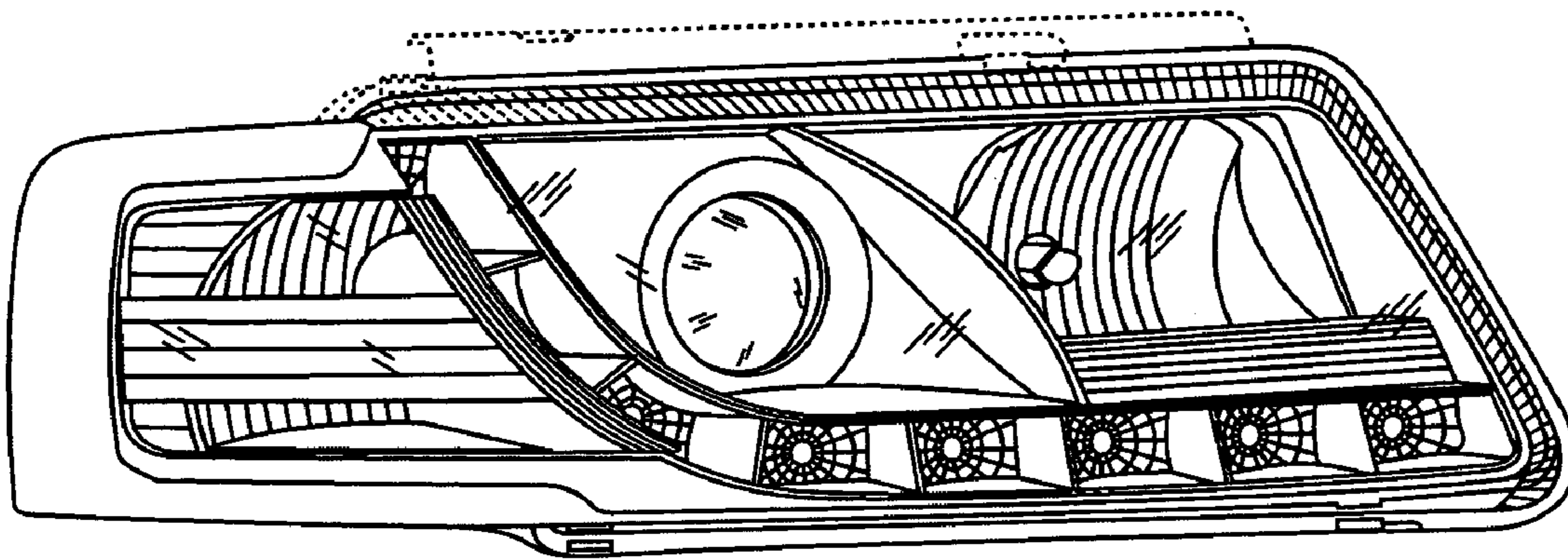


FIG.2

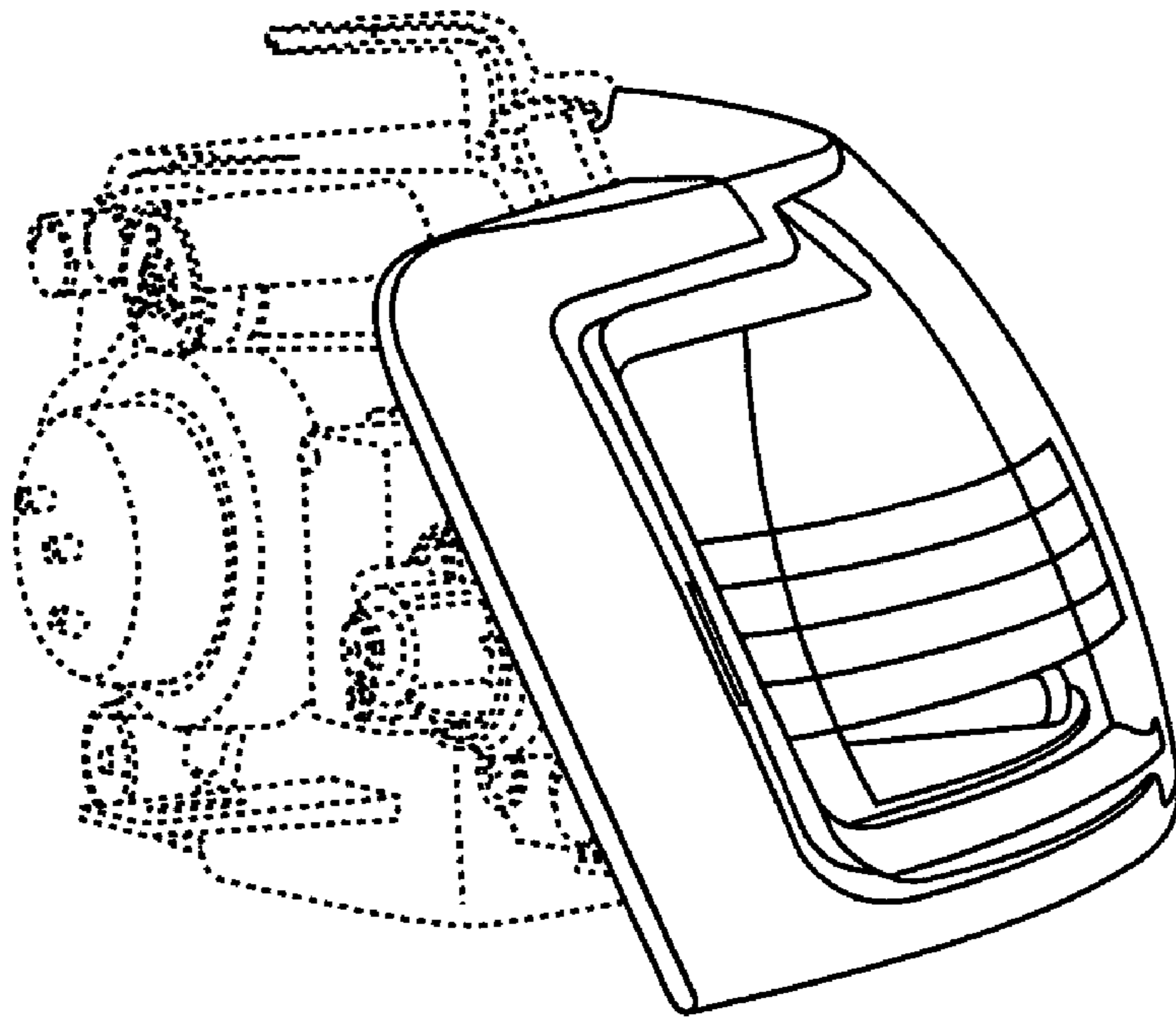


FIG. 3

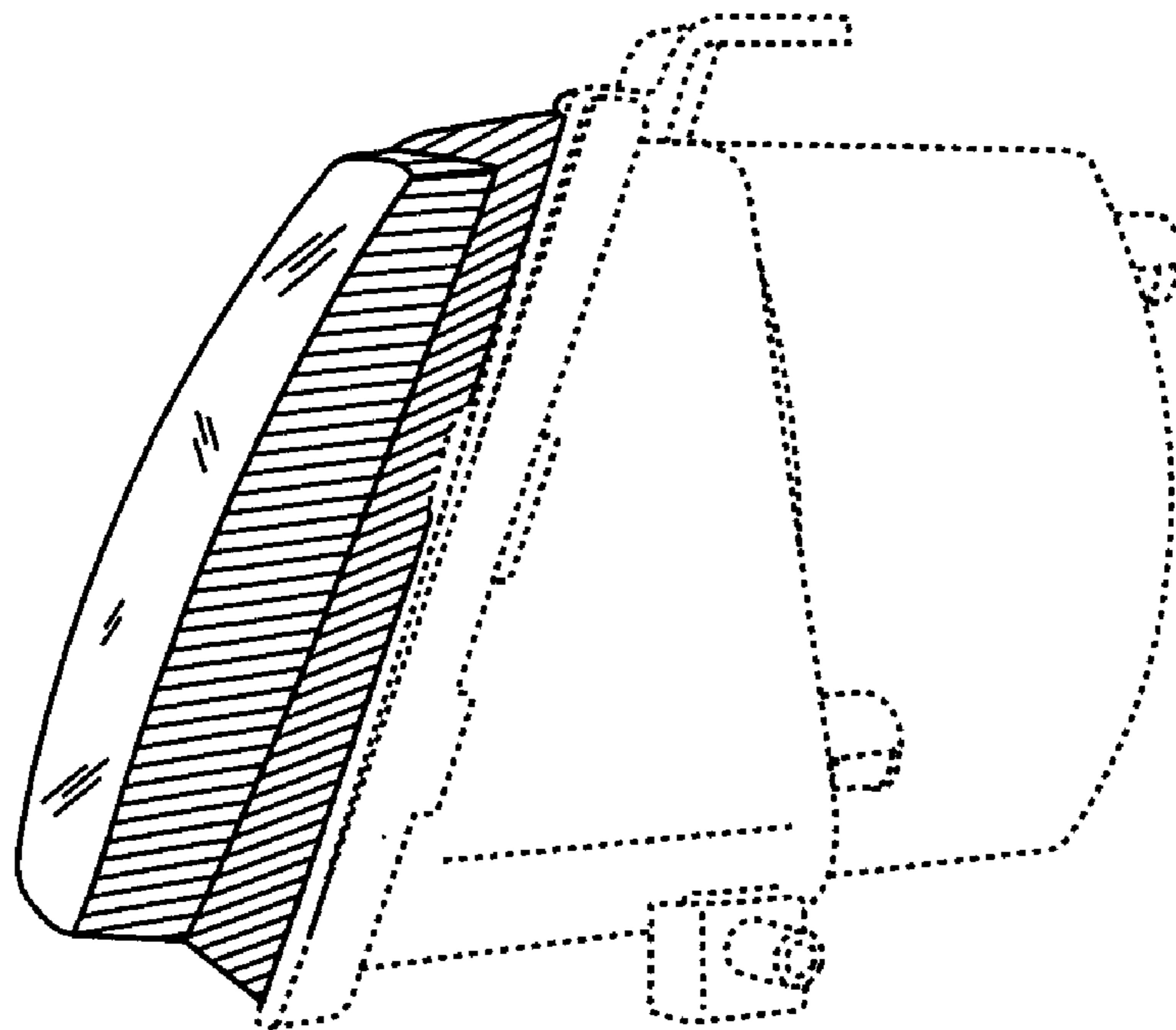


FIG. 4

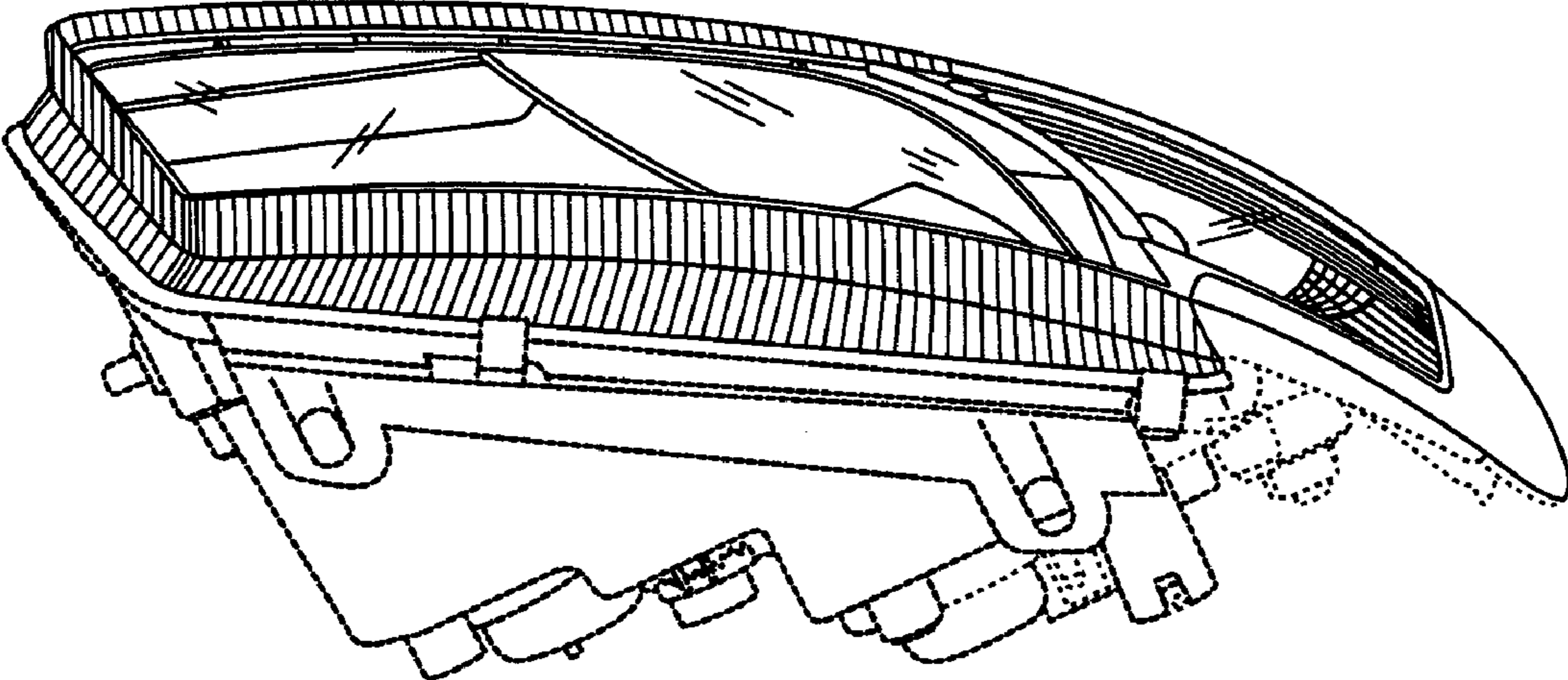


FIG. 5

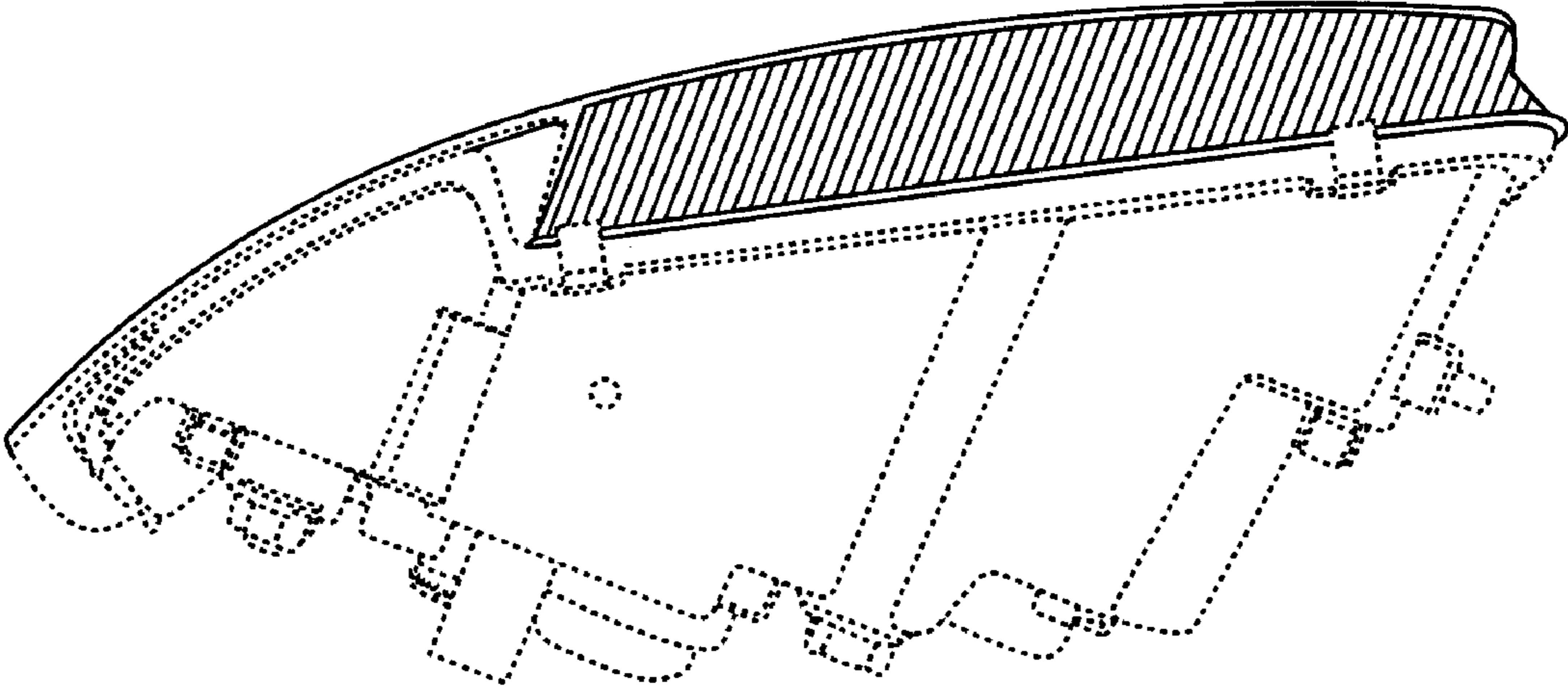


FIG. 6