



US00D583079S

(12) **United States Design Patent**  
**Campbell et al.**

(10) **Patent No.:** **US D583,079 S**

(45) **Date of Patent:** **\*\* Dec. 16, 2008**

(54) **WINDOW FRAME PROFILE**

(75) Inventors: **David Campbell**, Innisfil (CA); **Nina Sterlin**, Thornhill (CA)

(73) Assignee: **Royal Group, Inc.**, Atlanta, GA (US)

(\*\*) Term: **14 Years**

(21) Appl. No.: **29/303,365**

(22) Filed: **Feb. 7, 2008**

(51) **LOC (8) Cl.** ..... **25-01**

(52) **U.S. Cl.** ..... **D25/124**

(58) **Field of Classification Search** ..... D25/124;  
52/204.1, 204.5, 204.51, 656.5, 656.6, 656.2,  
52/730.3; 49/501, 504, DIG. 2  
See application file for complete search history.

(56) **References Cited**

**U.S. PATENT DOCUMENTS**

5,099,624	A *	3/1992	Valentin	.....	52/207
6,006,478	A *	12/1999	Hubner et al.	.....	52/204.5
D442,291	S *	5/2001	Ballard et al.	.....	D25/124
D461,570	S *	8/2002	Ballard et al.	.....	D25/124
D466,623	S *	12/2002	Ballard et al.	.....	D25/124
D466,627	S *	12/2002	Morton et al.	.....	D25/124
D471,647	S *	3/2003	Chaney et al.	.....	D25/124
D495,430	S *	8/2004	Franson	.....	D25/124

D500,561	S *	1/2005	Franson	.....	D25/124
6,857,232	B2 *	2/2005	Bealko	.....	52/211
D502,555	S *	3/2005	Fannan	.....	D25/124
2003/0159374	A1 *	8/2003	Burgess	.....	52/204.61
2004/0000093	A1 *	1/2004	Guelck	.....	49/183

\* cited by examiner

*Primary Examiner*—Doris Clark

(74) *Attorney, Agent, or Firm*—Hunton & Williams LLP

(57) **CLAIM**

We claim the ornamental design for a window frame profile, as shown and described.

**DESCRIPTION**

FIG. 1 is a fragmentary top right isometric view of a window frame profile showing the claimed design.

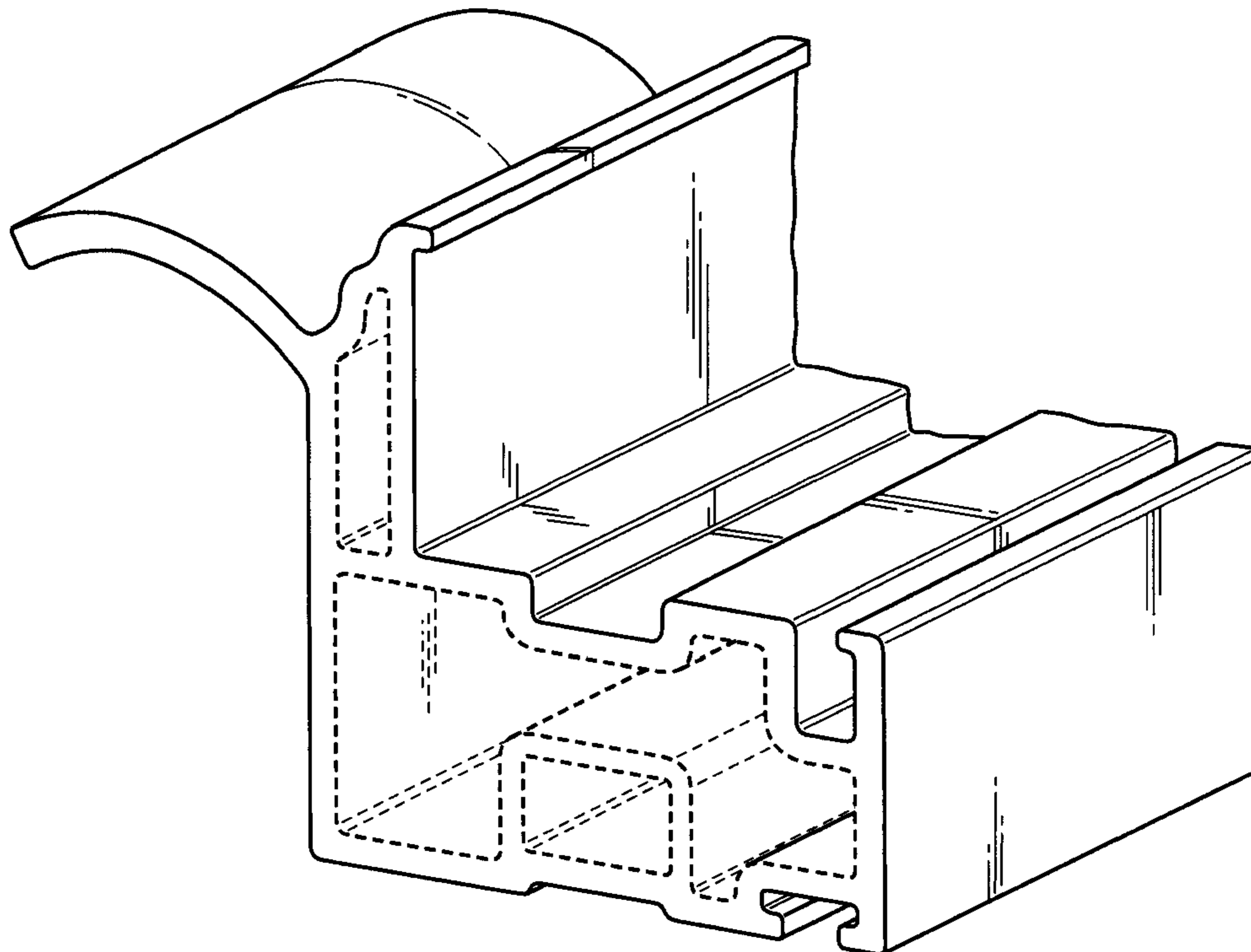
FIG. 2 is a fragmentary bottom left isometric view of the window frame profile of FIG. 1; and,

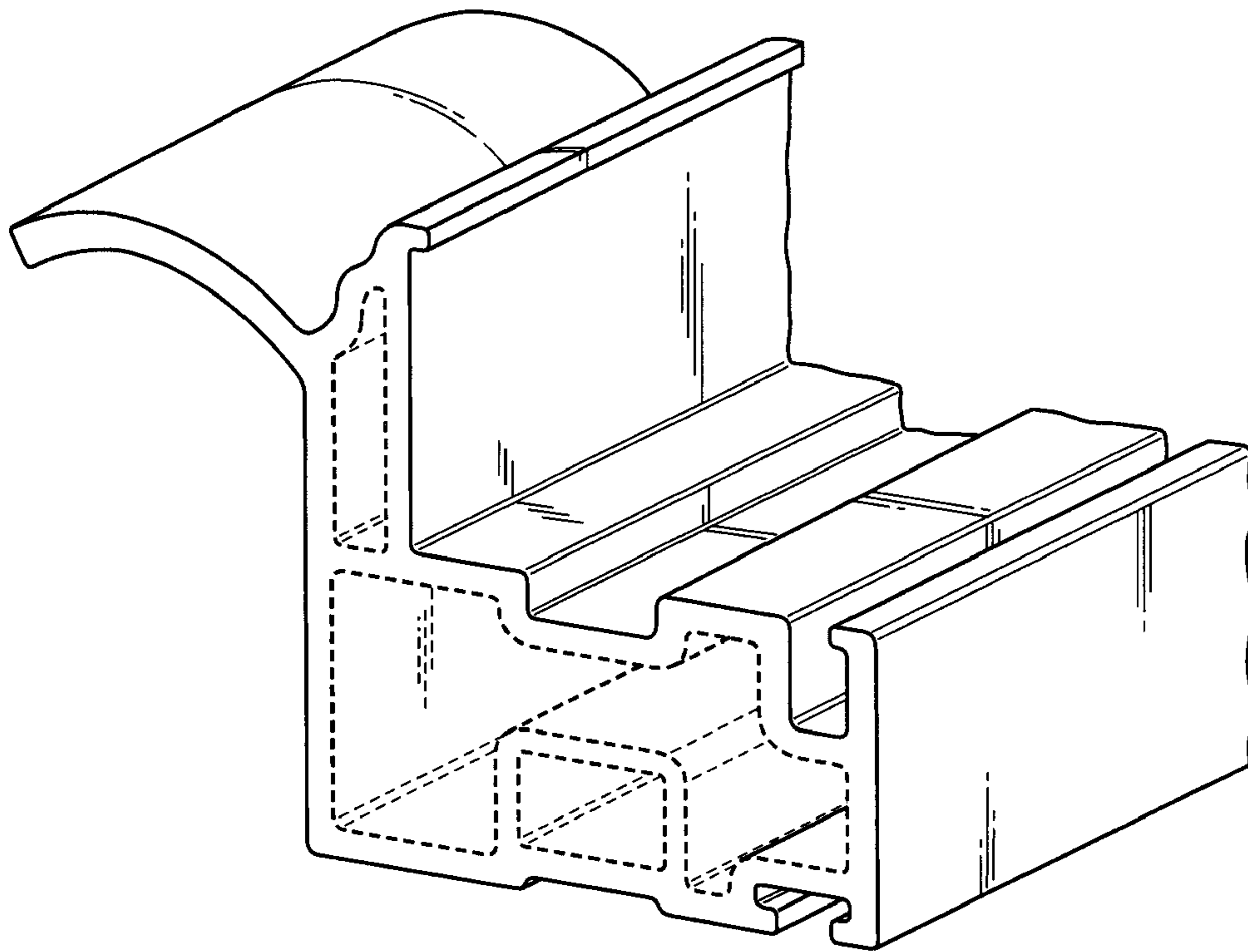
FIG. 3 is an end elevation view of the window frame profile of FIG. 1.

The claimed design is broken on the end to indicate indeterminate length.

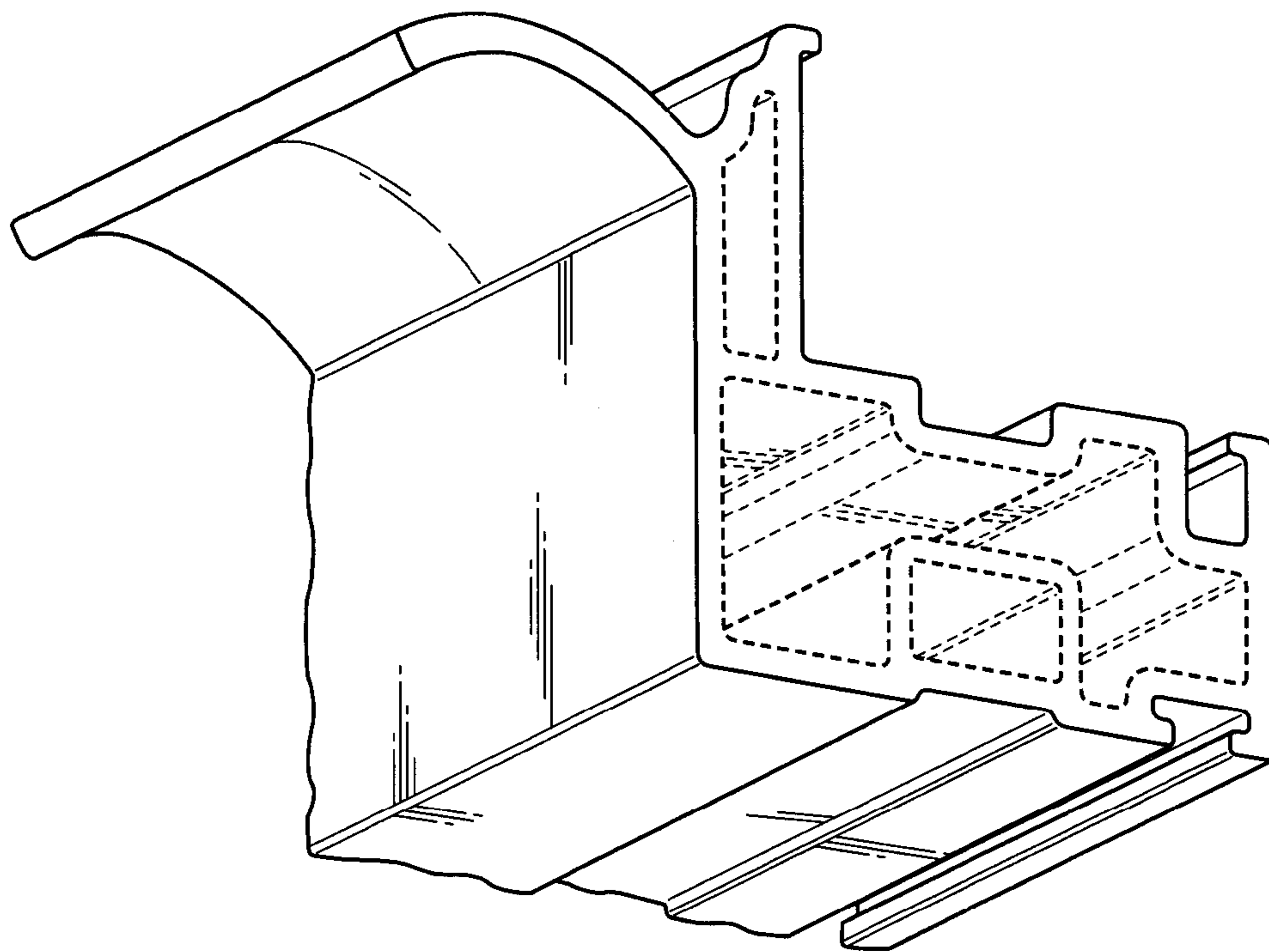
The broken lines are for illustrative purposes only and form no part of the claimed design.

**1 Claim, 3 Drawing Sheets**

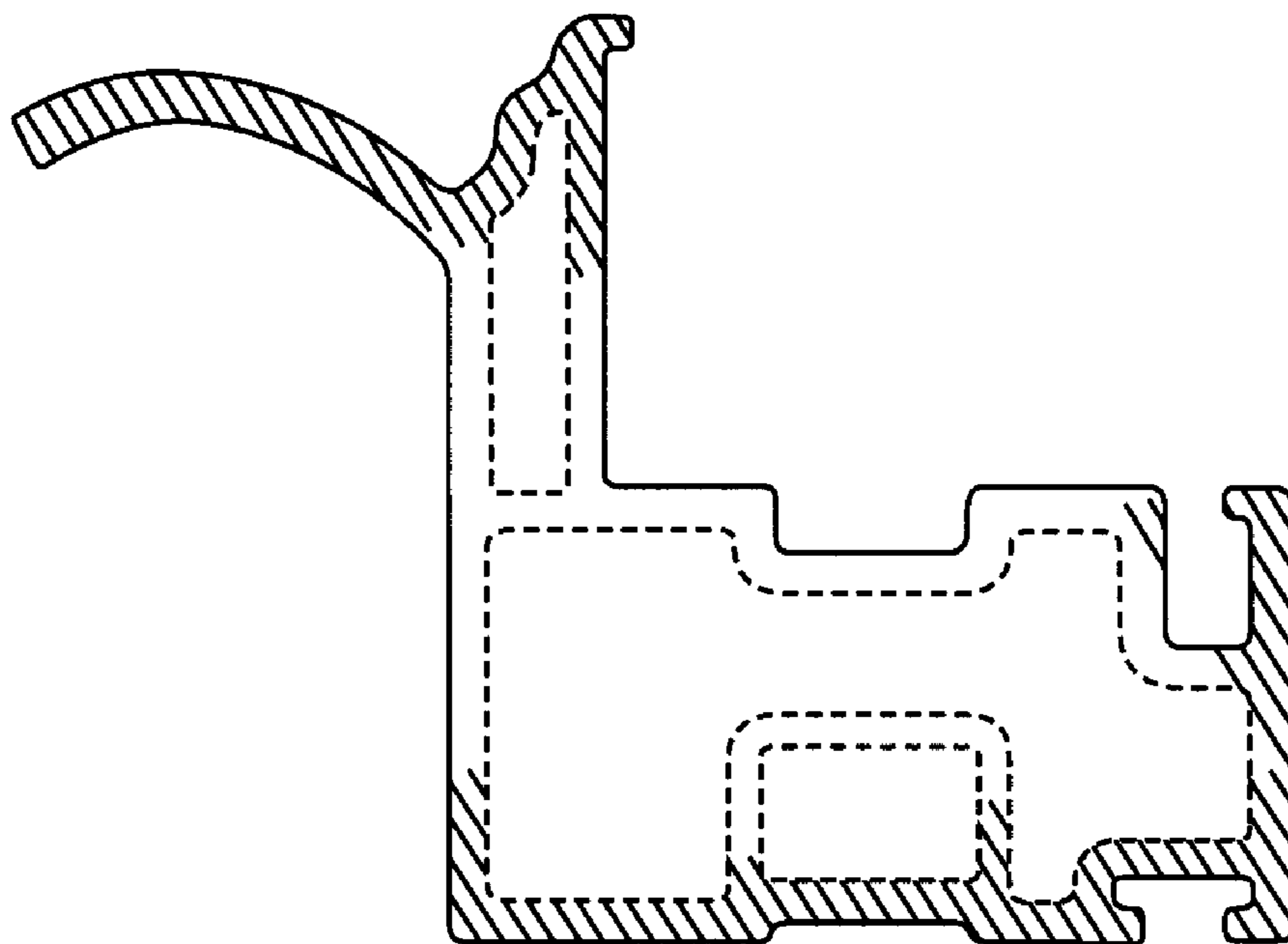




***Fig. 1***



**Fig. 2**



***Fig. 3***