



US00D583077S

(12) **United States Design Patent**  
**Campbell et al.**

(10) **Patent No.:** **US D583,077 S**  
(45) **Date of Patent:** **\*\* Dec. 16, 2008**

- (54) **WINDOW FRAME PROFILE**
- (75) Inventors: **David Campbell**, Innisfil (CA); **Nina Sterlin**, Thornhill (CA)
- (73) Assignee: **Royal Group, Inc.**, Atlanta, GA (US)
- (\*\*) Term: **14 Years**
- (21) Appl. No.: **29/303,361**
- (22) Filed: **Feb. 7, 2008**
- (51) **LOC (8) Cl.** ..... **25-01**
- (52) **U.S. Cl.** ..... **D25/124**
- (58) **Field of Classification Search** ..... D25/124;  
52/204.1, 204.5, 204.51, 656.5, 656.6, 656.2,  
52/730.3; 49/501, 504, DIG. 2  
See application file for complete search history.

- (56) **References Cited**  
U.S. PATENT DOCUMENTS
- |           |   |   |         |                |       |          |
|-----------|---|---|---------|----------------|-------|----------|
| 5,099,624 | A | * | 3/1992  | Valentin       | ..... | 52/207   |
| 6,006,478 | A | * | 12/1999 | Hubner et al.  | ..... | 52/204.5 |
| D442,291  | S | * | 5/2001  | Ballard et al. | ..... | D25/124  |
| D461,570  | S | * | 8/2002  | Ballard et al. | ..... | D25/124  |
| D466,623  | S | * | 12/2002 | Ballard et al. | ..... | D25/124  |
| D466,627  | S | * | 12/2002 | Morton et al.  | ..... | D25/124  |

- |              |    |   |        |               |       |           |
|--------------|----|---|--------|---------------|-------|-----------|
| D471,647     | S  | * | 3/2003 | Chaney et al. | ..... | D25/124   |
| D495,430     | S  | * | 8/2004 | Franson       | ..... | D25/124   |
| D500,561     | S  | * | 1/2005 | Franson       | ..... | D25/124   |
| 6,857,232    | B2 | * | 2/2005 | Bealko        | ..... | 52/211    |
| D502,555     | S  | * | 3/2005 | Fannan        | ..... | D25/124   |
| 2003/0159374 | A1 | * | 8/2003 | Burgess       | ..... | 52/204.61 |
| 2004/0000093 | A1 | * | 1/2004 | Guelck        | ..... | 49/183    |
- \* cited by examiner

*Primary Examiner*—Doris Clark  
(74) *Attorney, Agent, or Firm*—Hunton & Williams LLP

(57) **CLAIM**

We claim the ornamental design for a window frame profile, as shown and described.

**DESCRIPTION**

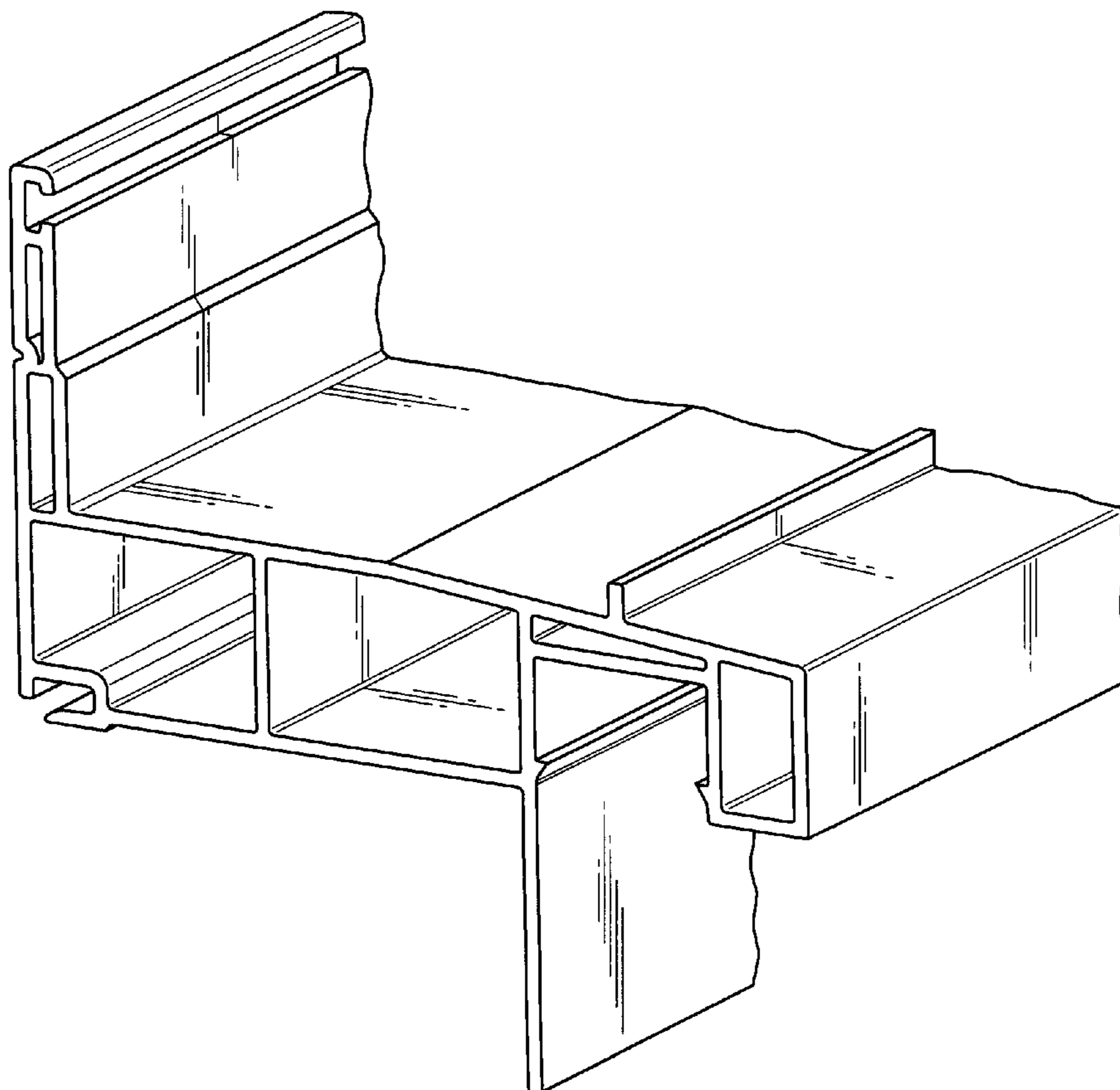
FIG. 1 is a fragmentary top right isometric view of a window frame profile showing the claimed design.

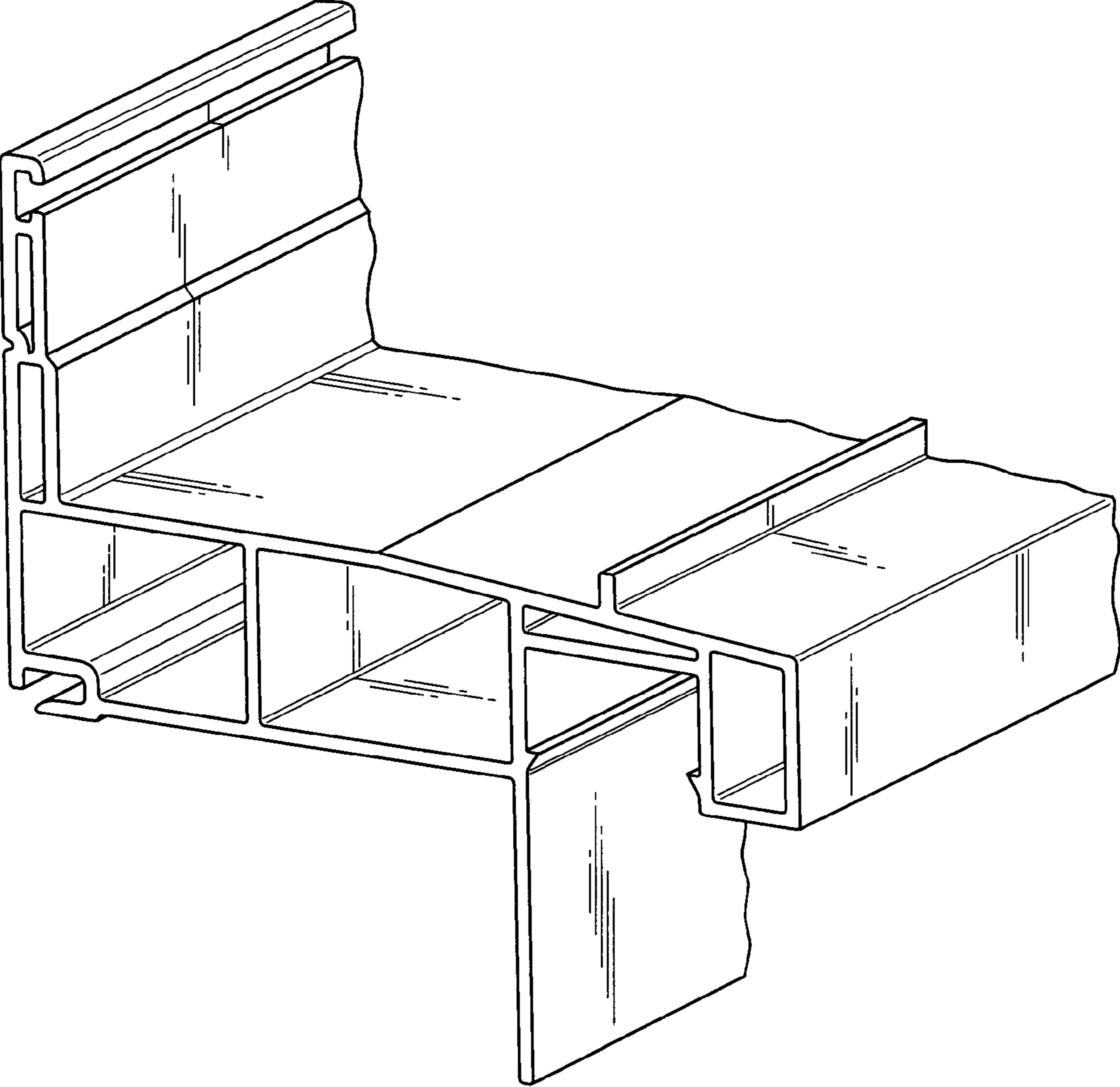
FIG. 2 is a fragmentary bottom left isometric view of the window frame profile of FIG. 1; and,

FIG. 3 is an end elevation view of the window frame profile of FIG. 1.

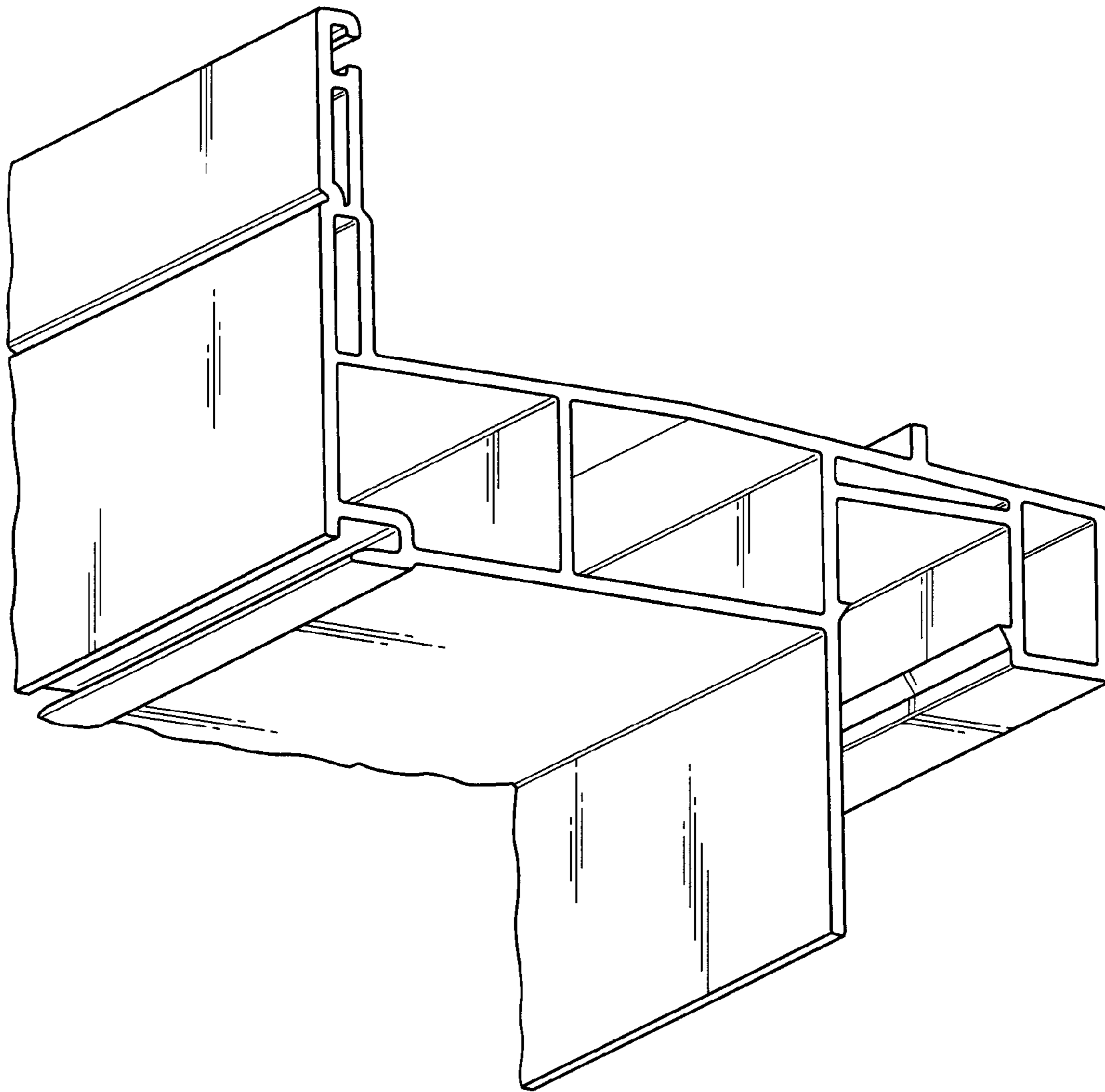
The claimed design is broken on the end to indicate indeterminate length.

**1 Claim, 3 Drawing Sheets**

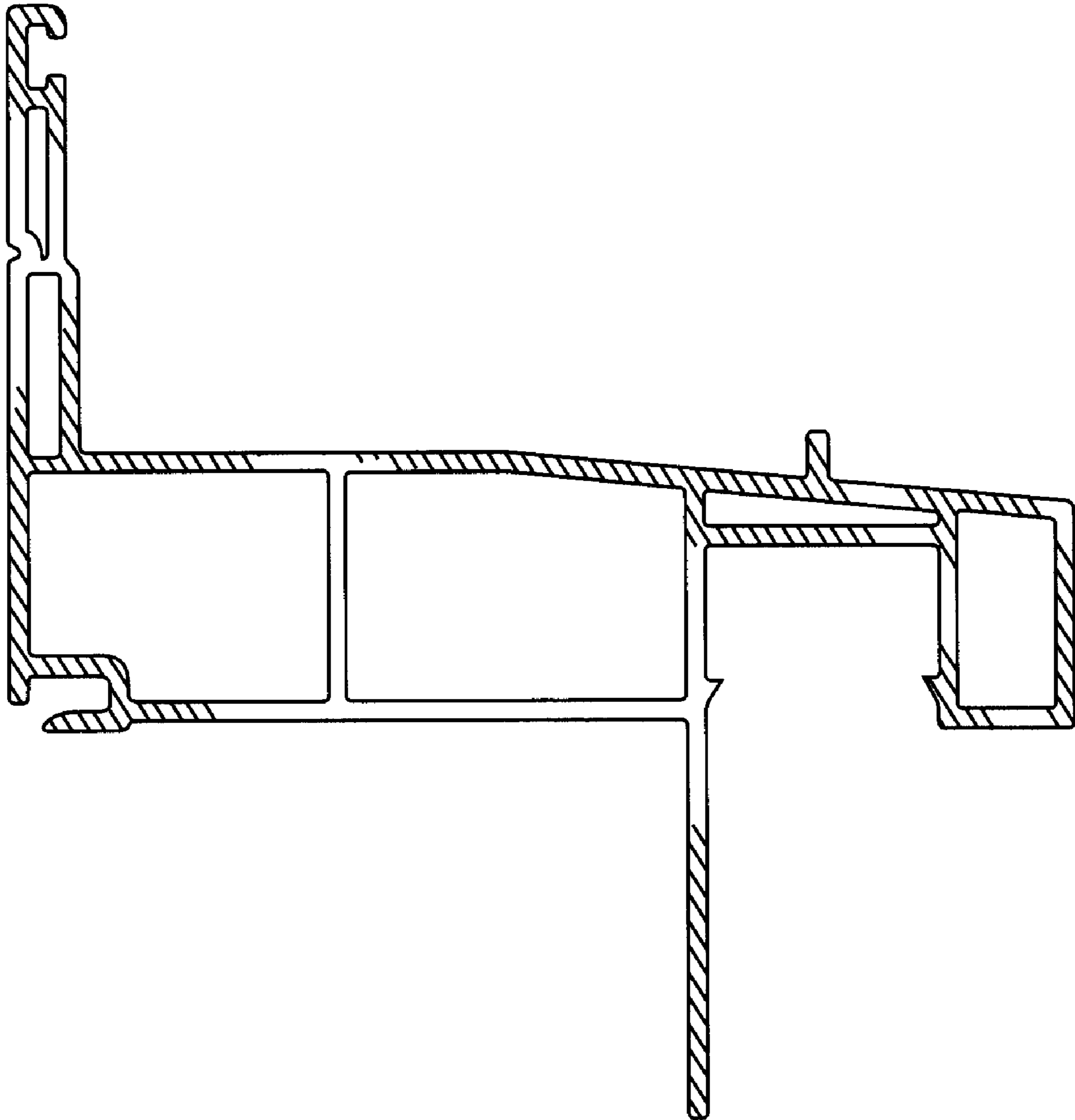




**Fig. 1**



**Fig. 2**



**Fig. 3**