



US00D583071S

(12) **United States Design Patent**
Hull

(10) **Patent No.:** **US D583,071 S**
(45) **Date of Patent:** **** Dec. 16, 2008**

(54) **T-WALL EXTRUSION**

6,722,098 B2 * 4/2004 Platt 52/733.1

(75) Inventor: **Douglas William Hull**, Plymouth, MI (US)

(73) Assignee: **Impressive Basement Systems, LLC**, Oak Park, MI (US)

(**) Term: **14 Years**

(21) Appl. No.: **29/288,526**

(22) Filed: **Jun. 14, 2007**

(51) **LOC (8) Cl.** **25-01**

(52) **U.S. Cl.** **D25/124**

(58) **Field of Classification Search** 52/251,
52/252, 762, 506.07, 730.6, 731.7; D25/121,
D25/122, 124, 55

See application file for complete search history.

(56) **References Cited**

U.S. PATENT DOCUMENTS

4,273,813	A	6/1981	Meddaugh	
4,525,960	A	7/1985	Kelman	
4,735,838	A	4/1988	Roberts et al.	
4,986,332	A	1/1991	Lanuza	
D334,628	S *	4/1993	Cole	D25/124
5,483,782	A *	1/1996	Hall	52/730.1
D421,501	S *	3/2000	Grosfillex	D25/124
6,050,534	A *	4/2000	Andrews	248/317

OTHER PUBLICATIONS

Erie Basement Finishing, www.erieconstruction.com, 2 pages, Dated 2006.

The Only System Designed for Basements, www.owencoming.com, 2 pages, Dated 2006.

* cited by examiner

Primary Examiner—Doris Clark

(74) *Attorney, Agent, or Firm*—Warn Partners, P.C.

(57) **CLAIM**

I claim the ornamental design for a T-wall extrusion, as shown and described.

DESCRIPTION

FIG. 1 is a first side view of a T-wall extrusion device which embodies the design;

FIG. 2 is a front view thereof;

FIG. 3 is a perspective view thereof;

FIG. 4 is a second side view thereof;

FIG. 5 is a rear view thereof;

FIG. 6 is a bottom view thereof; and,

FIG. 7 is a top view thereof.

The broken lines are for illustrative purposes only and form no part of the claimed design.

1 Claim, 3 Drawing Sheets

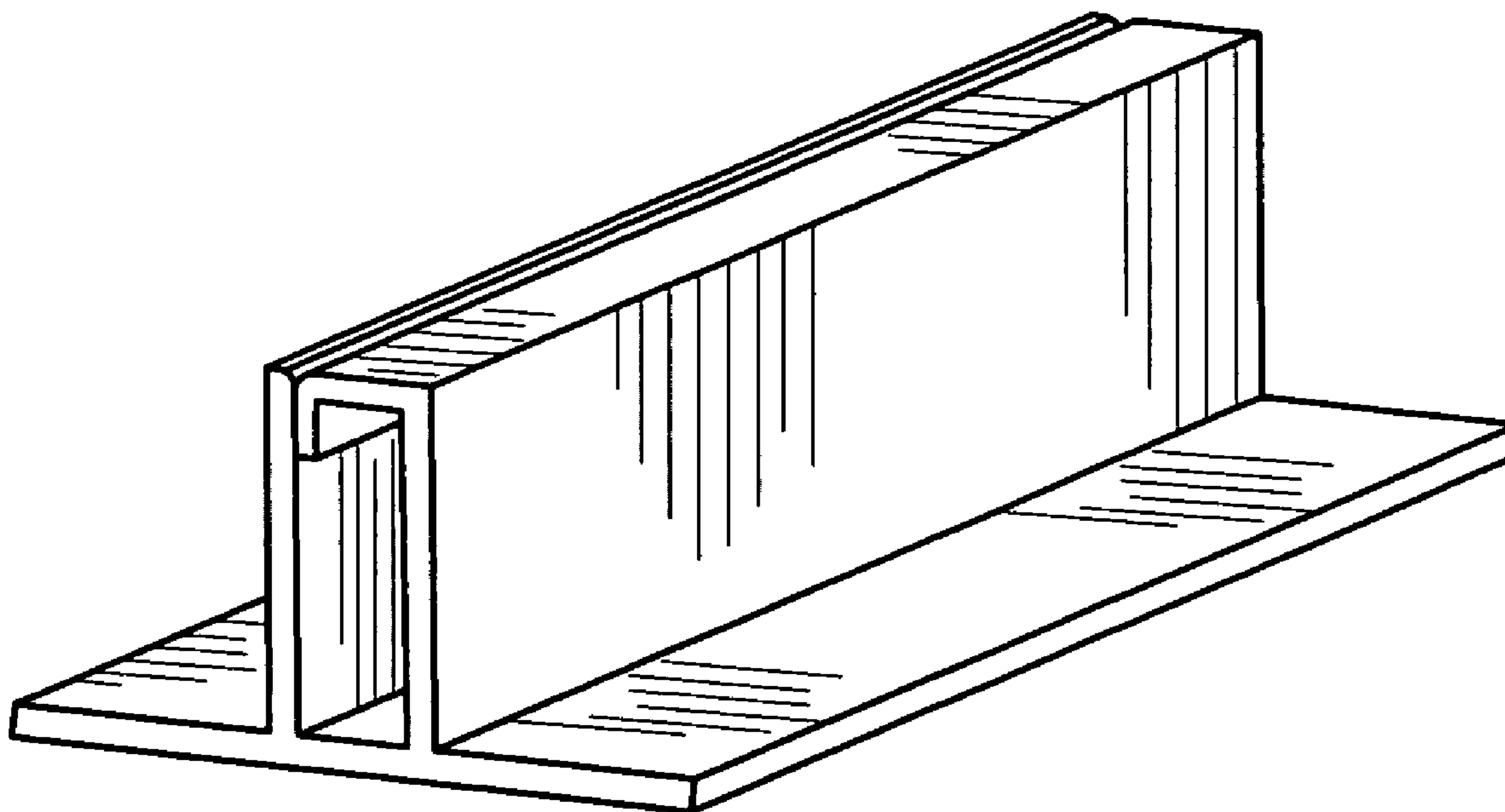


FIG - 1

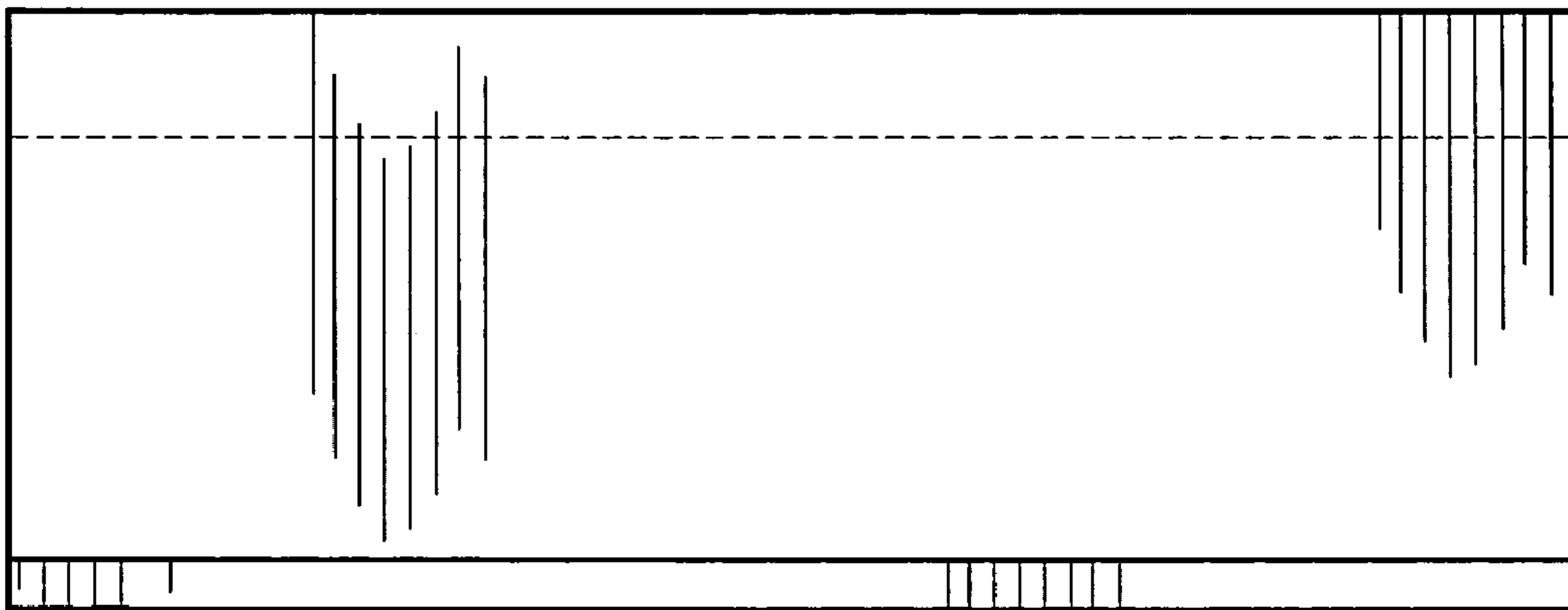
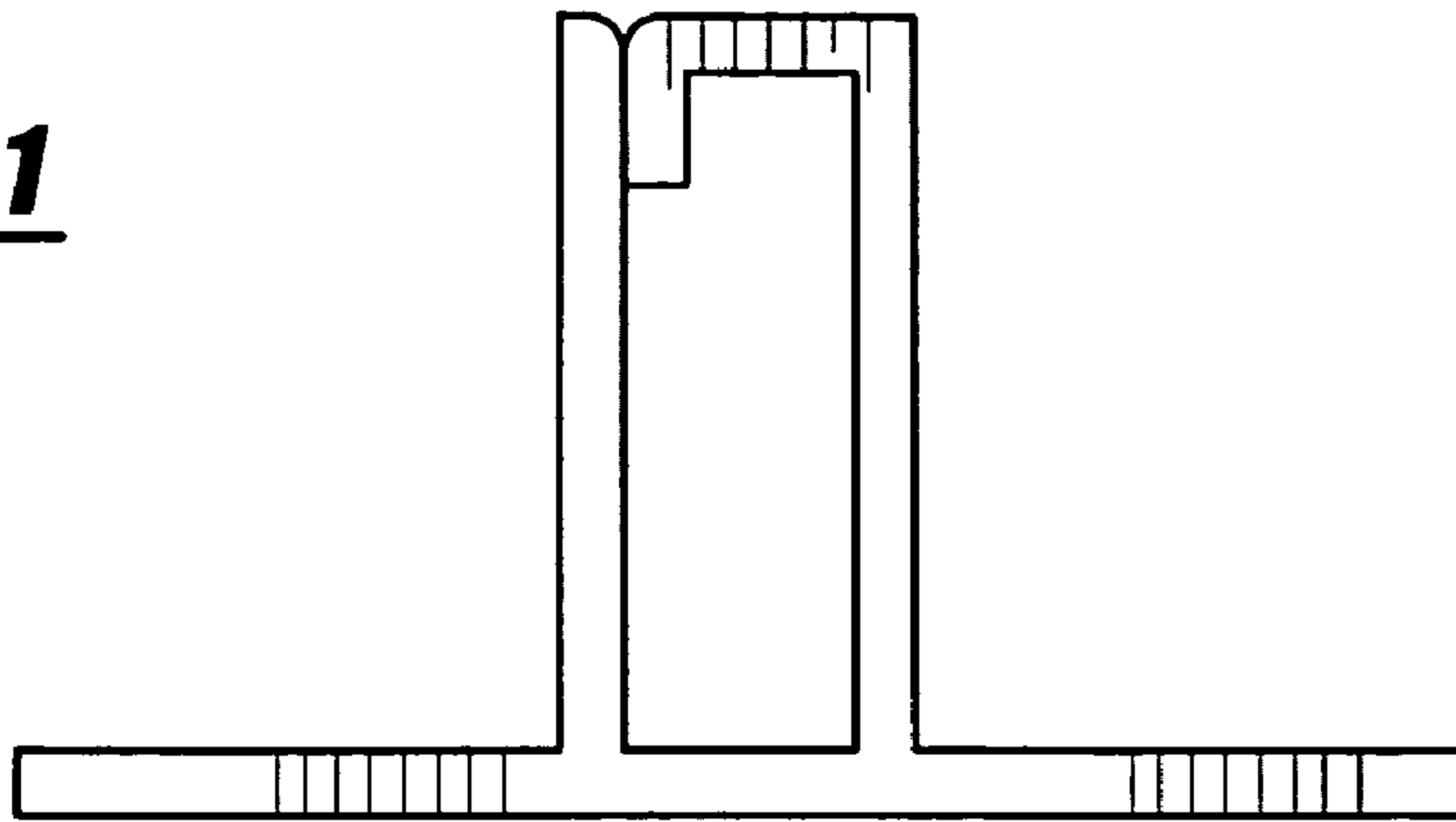


FIG - 2

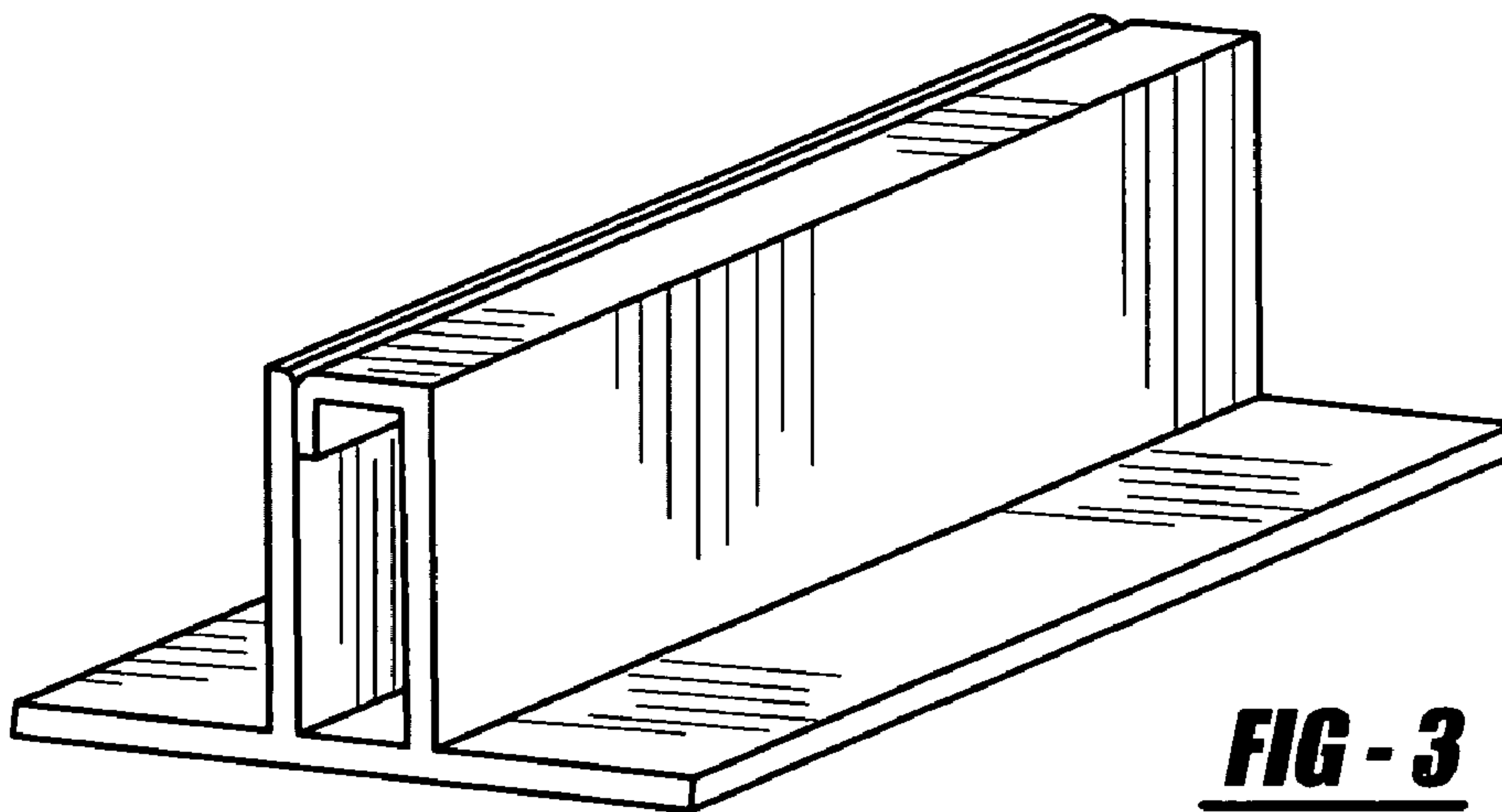


FIG - 3

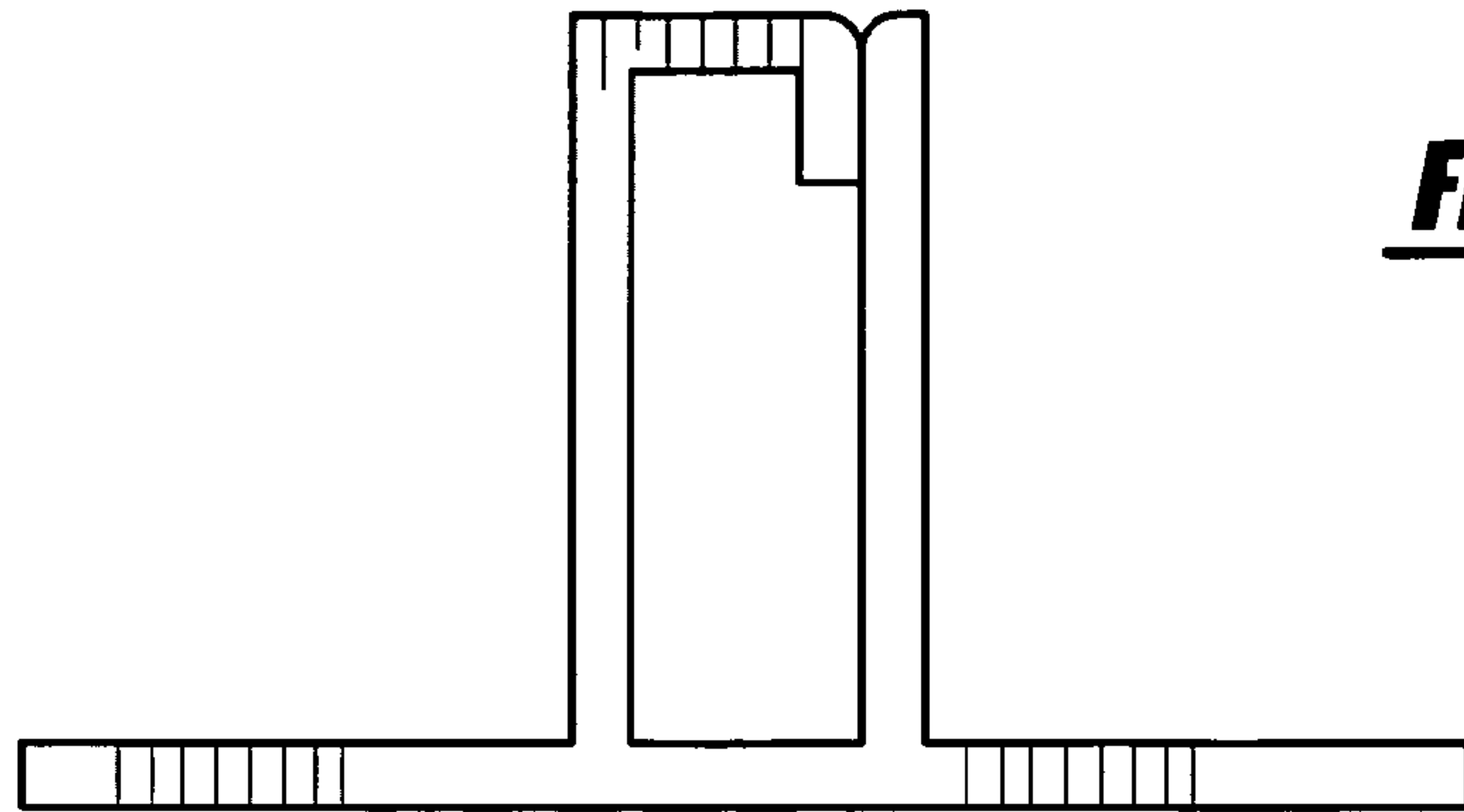


FIG - 4

FIG - 5

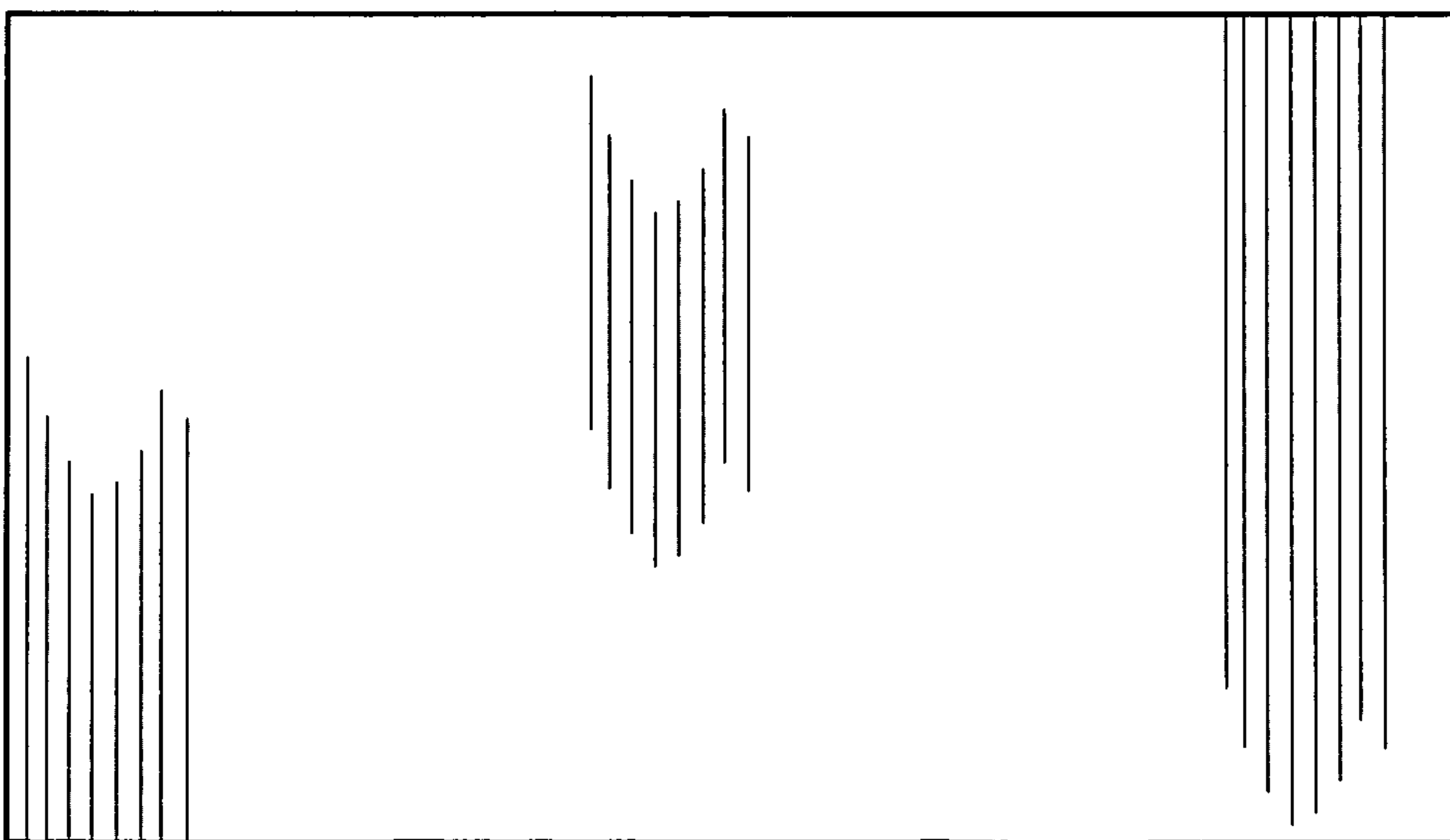
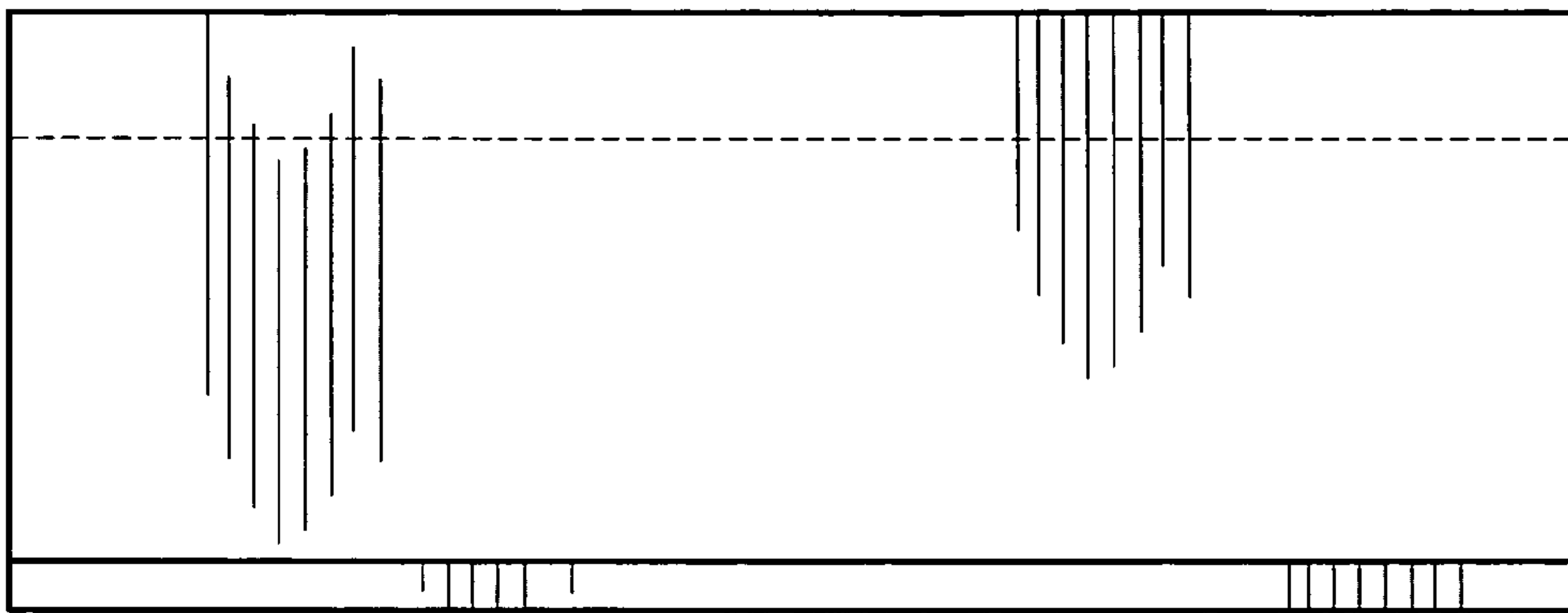


FIG - 6

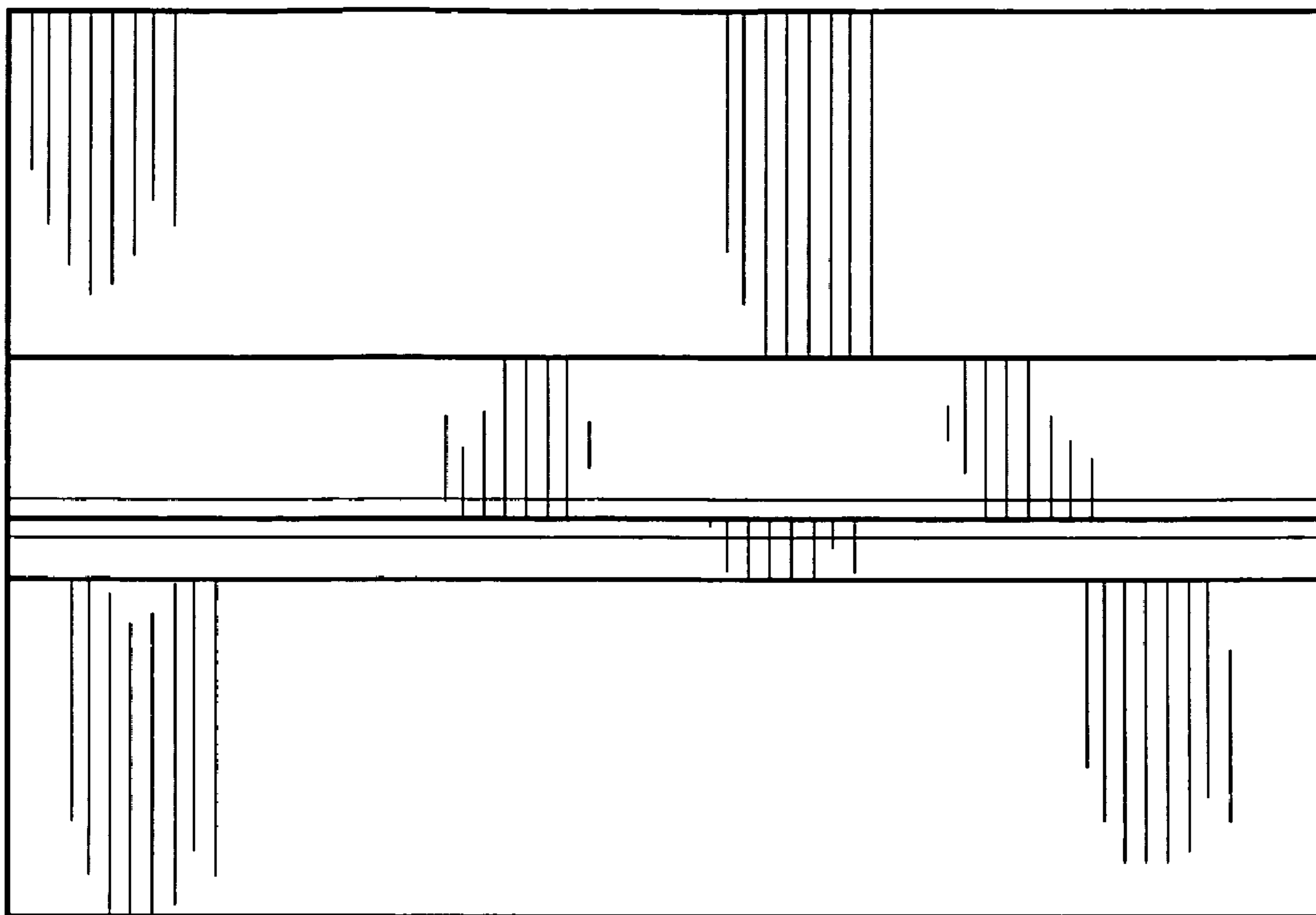


FIG - 7