



US00D583065S

(12) **United States Design Patent**  
**Potter et al.**

(10) **Patent No.:** **US D583,065 S**  
(45) **Date of Patent:** **\*\* Dec. 16, 2008**

(54) **STREAKING APPLICATOR FOR A MICROBIOLOGICAL CULTURE**

(75) Inventors: **Colin William Potter**, Victoria (AU); **Rajiv Gupta**, Victoria (AU); **Stephen Lewis Leckenby**, Victoria (AU); **Phillip James Duncan**, Victoria (AU); **Ryan Andrew Annear**, Victoria (AU)

(73) Assignee: **Labtech Systems Limited**, Adelaide (AU)

(\*\*) Term: **14 Years**

(21) Appl. No.: **29/281,321**

(22) Filed: **Jun. 20, 2007**

(30) **Foreign Application Priority Data**  
Dec. 21, 2006 (AU) ..... 15849/06

(51) **LOC (8) Cl.** ..... **24-01**

(52) **U.S. Cl.** ..... **D24/216**

(58) **Field of Classification Search** ..... D24/216-230, D24/127, 128, 133, 135; 422/100-104; D10/81, D10/103; 435/30, 309.1, 309.3, 309.4; D8/14, D8/16, 45; D32/46; D7/688, 692  
See application file for complete search history.

(56) **References Cited**

**U.S. PATENT DOCUMENTS**

|           |     |        |               |       |           |
|-----------|-----|--------|---------------|-------|-----------|
| 3,147,197 | A * | 9/1964 | Connors       | ..... | 435/309.3 |
| 3,875,015 | A * | 4/1975 | Wadley et al. | ..... | 435/30    |
| D243,438  | S * | 2/1977 | Batley        | ..... | D8/16     |
| 4,102,748 | A * | 7/1978 | Vacanti       | ..... | 435/309.3 |
| 4,247,634 | A * | 1/1981 | Abdou         |       |           |
| D282,278  | S * | 1/1986 | Asa           | ..... | D24/133   |

|              |      |         |                |       |         |
|--------------|------|---------|----------------|-------|---------|
| 4,659,673    | A *  | 4/1987  | Brown          |       |         |
| D297,801     | S *  | 9/1988  | Olsson         | ..... | D8/14   |
| D350,603     | S *  | 9/1994  | Firlik         | ..... | D24/119 |
| 6,291,234    | B1 * | 9/2001  | Raz et al.     |       |         |
| D558,418     | S *  | 12/2007 | Krauss         | ..... | D32/46  |
| 2007/0202564 | A1 * | 8/2007  | Glasson et al. | ..... | 435/30  |

**FOREIGN PATENT DOCUMENTS**

|    |                |      |         |
|----|----------------|------|---------|
| CH | 555889         | A *  | 11/1974 |
| WO | WO-01/66686    | A1 * | 9/2001  |
| WO | WO-2001/090296 | A *  | 11/2001 |
| WO | WO-2002/053698 | A *  | 7/2002  |
| WO | WO 2005/071055 | A1 * | 8/2005  |

\* cited by examiner

*Primary Examiner*—Joel Sincavage  
*Assistant Examiner*—Anhdao Doan

(74) *Attorney, Agent, or Firm*—Birch, Stewart, Kolasch & Birch, LLP

(57) **CLAIM**

The ornamental design for a streaking applicator for a microbiological culture, as shown and described.

**DESCRIPTION**

FIG. 1 is a front perspective view of a streaking applicator for a microbiological culture showing our new design;

FIG. 2 is a rear perspective view thereof;

FIG. 3 is a front view thereof;

FIG. 4 is a rear view thereof;

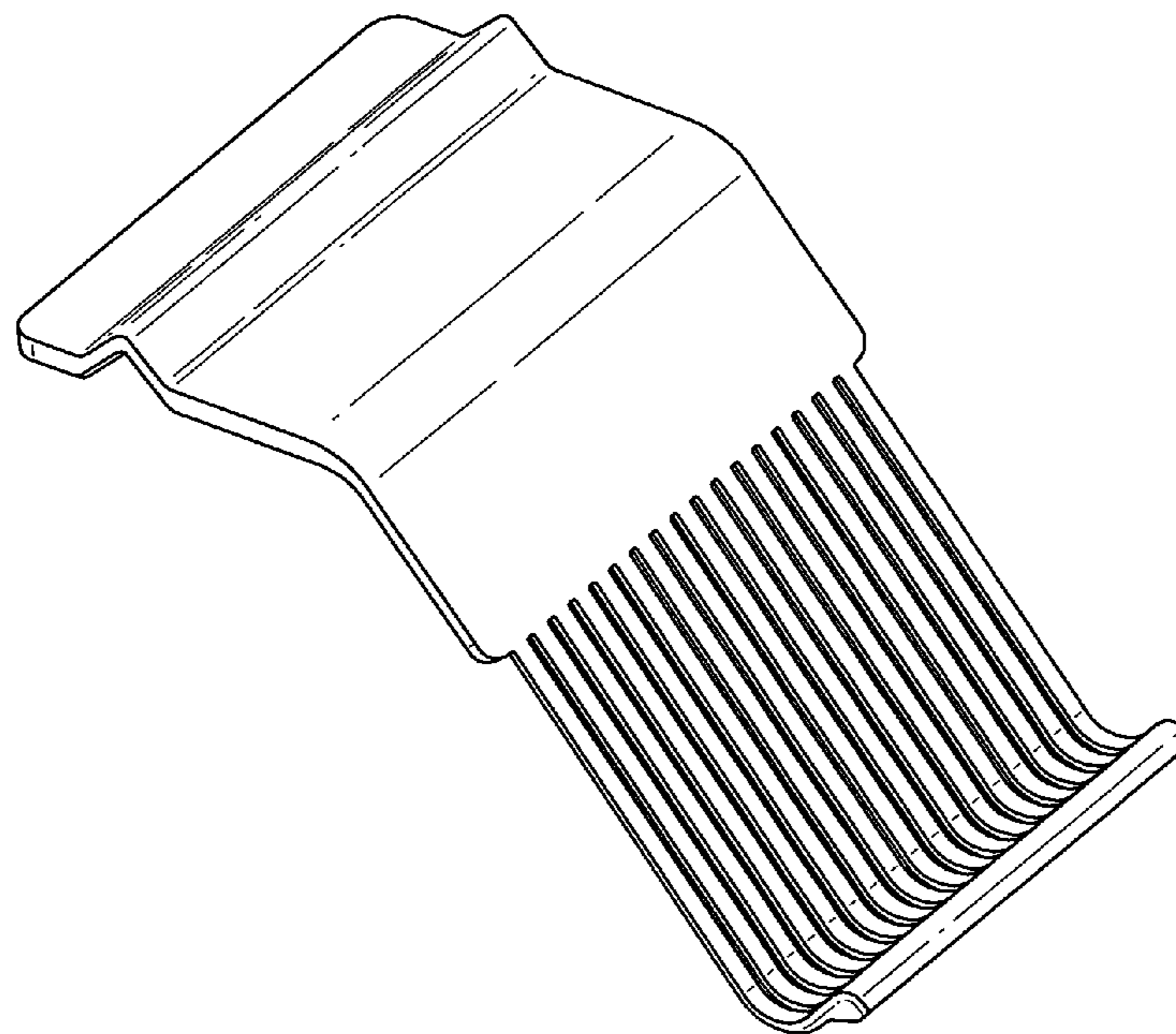
FIG. 5 is a top view thereof;

FIG. 6 is a bottom view thereof;

FIG. 7 is a right view thereof; and,

FIG. 8 is a left view thereof.

**1 Claim, 3 Drawing Sheets**



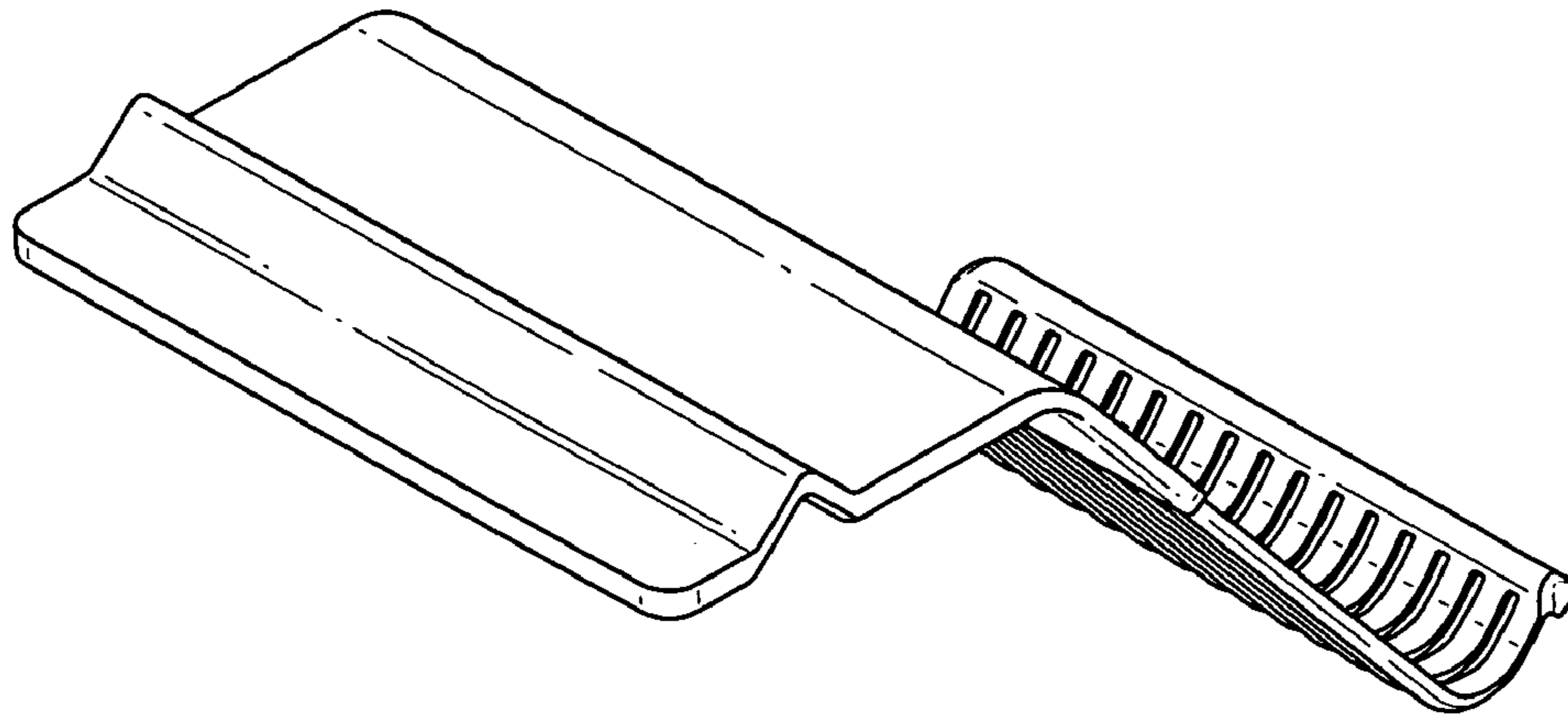


FIG. 1

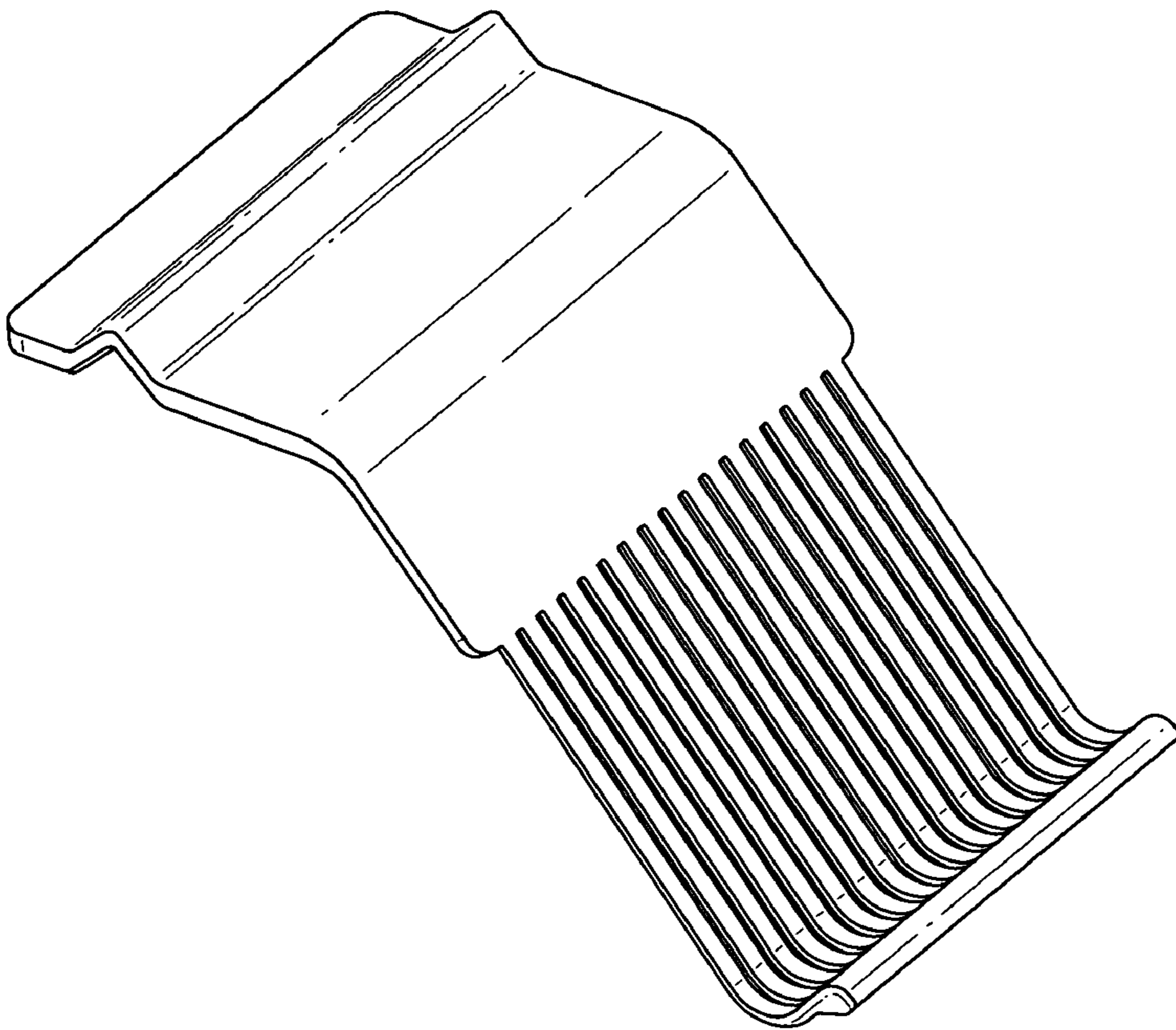


FIG. 2

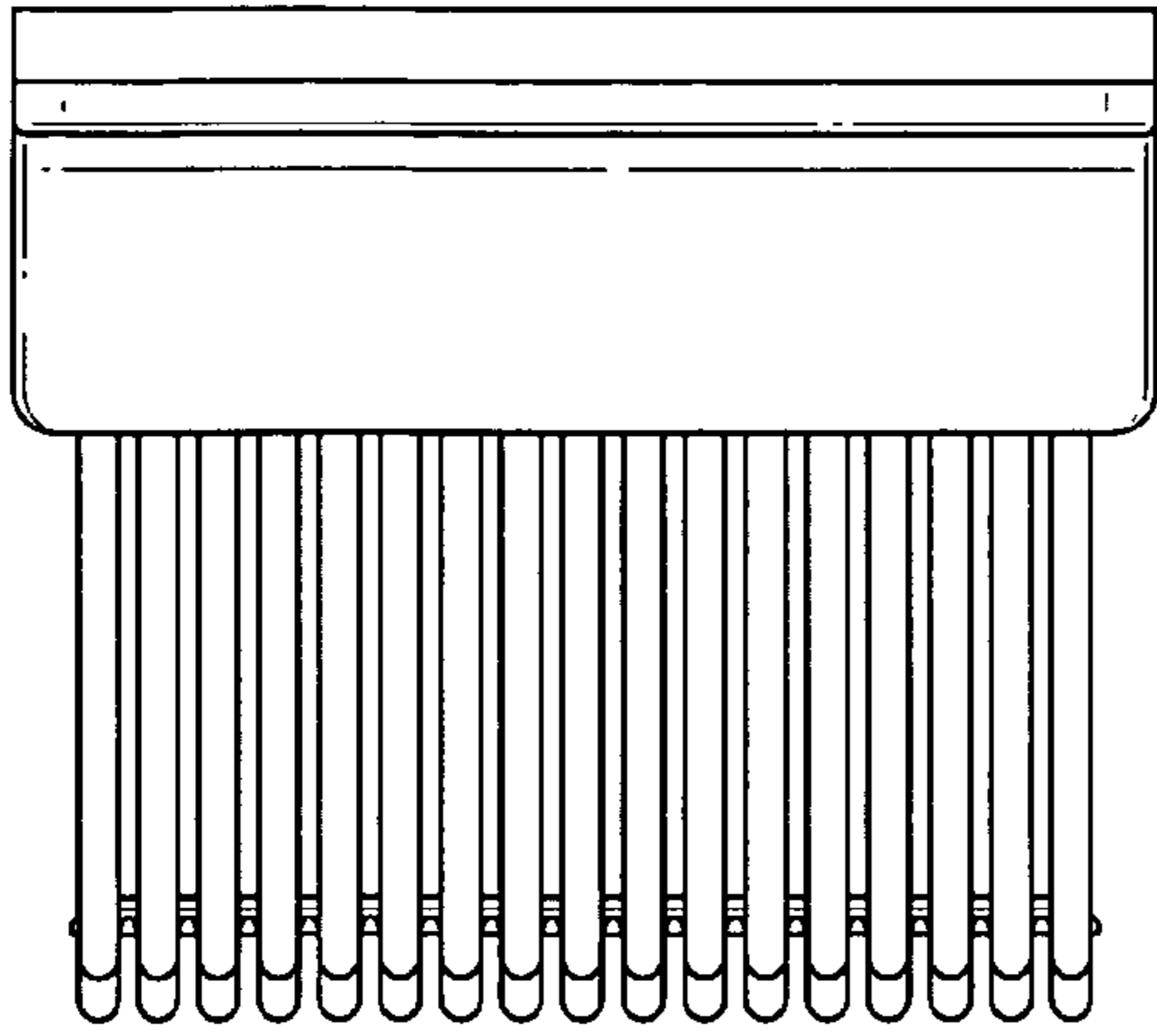


FIG. 3

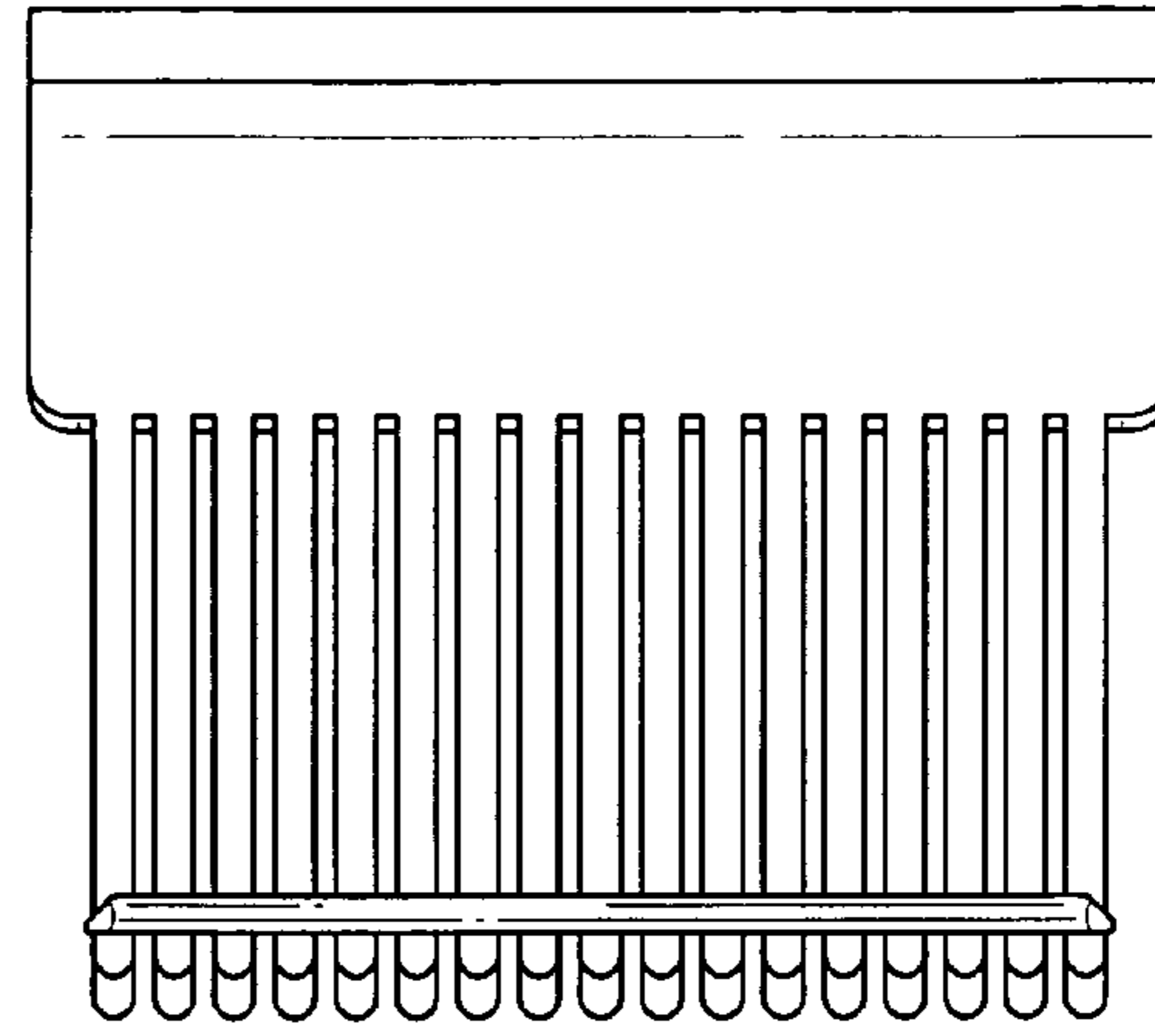


FIG. 4

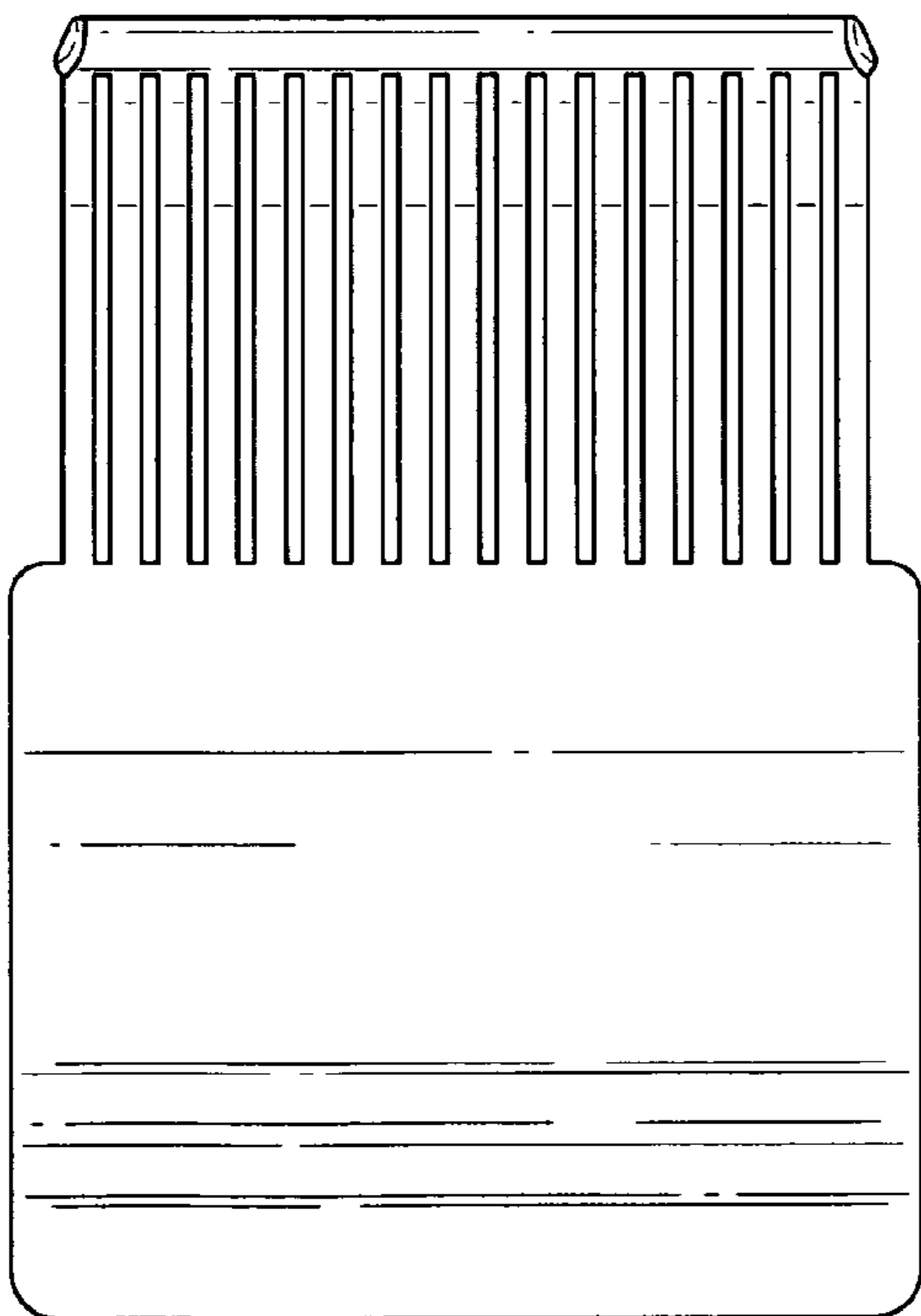


FIG. 5

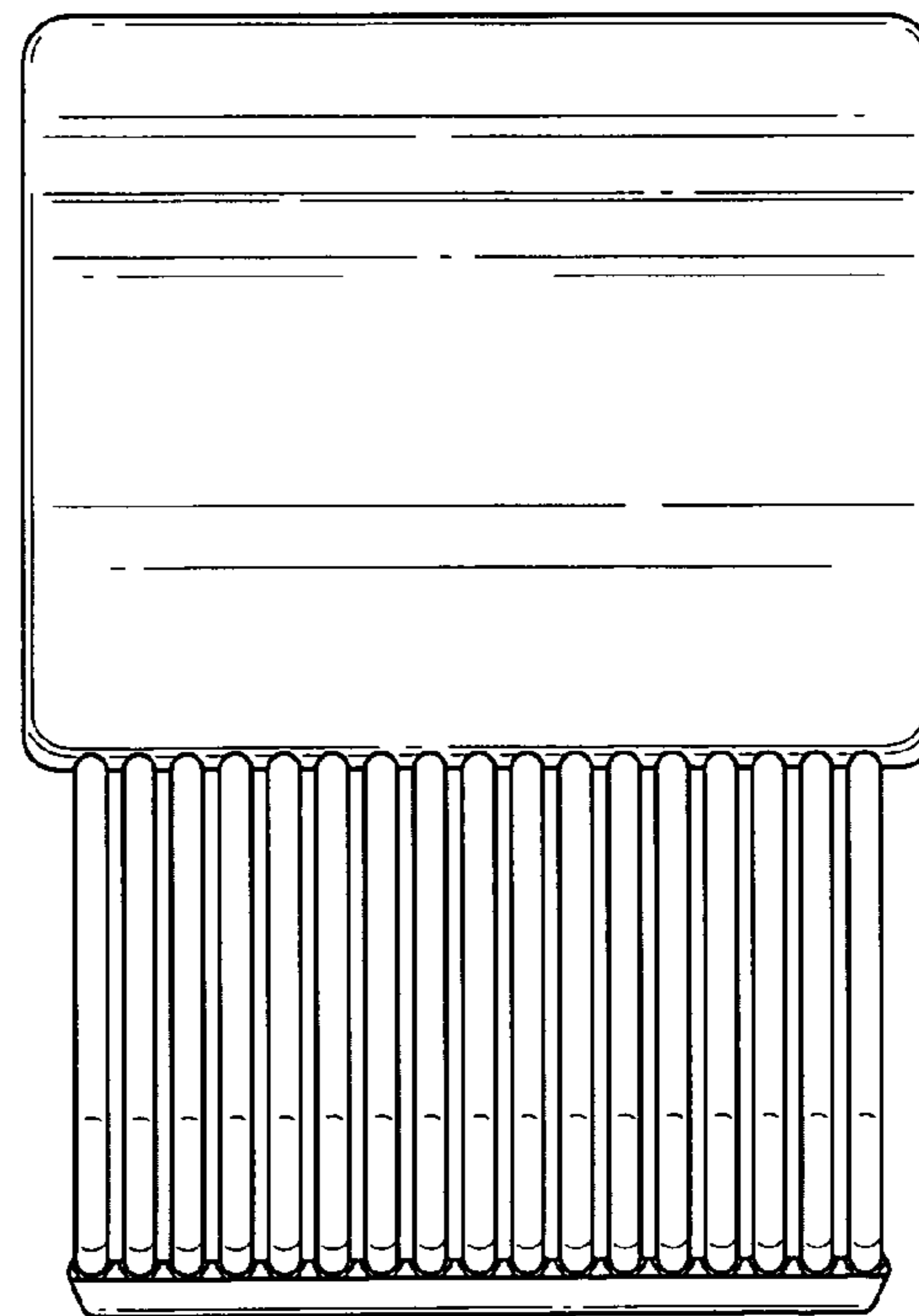


FIG. 6

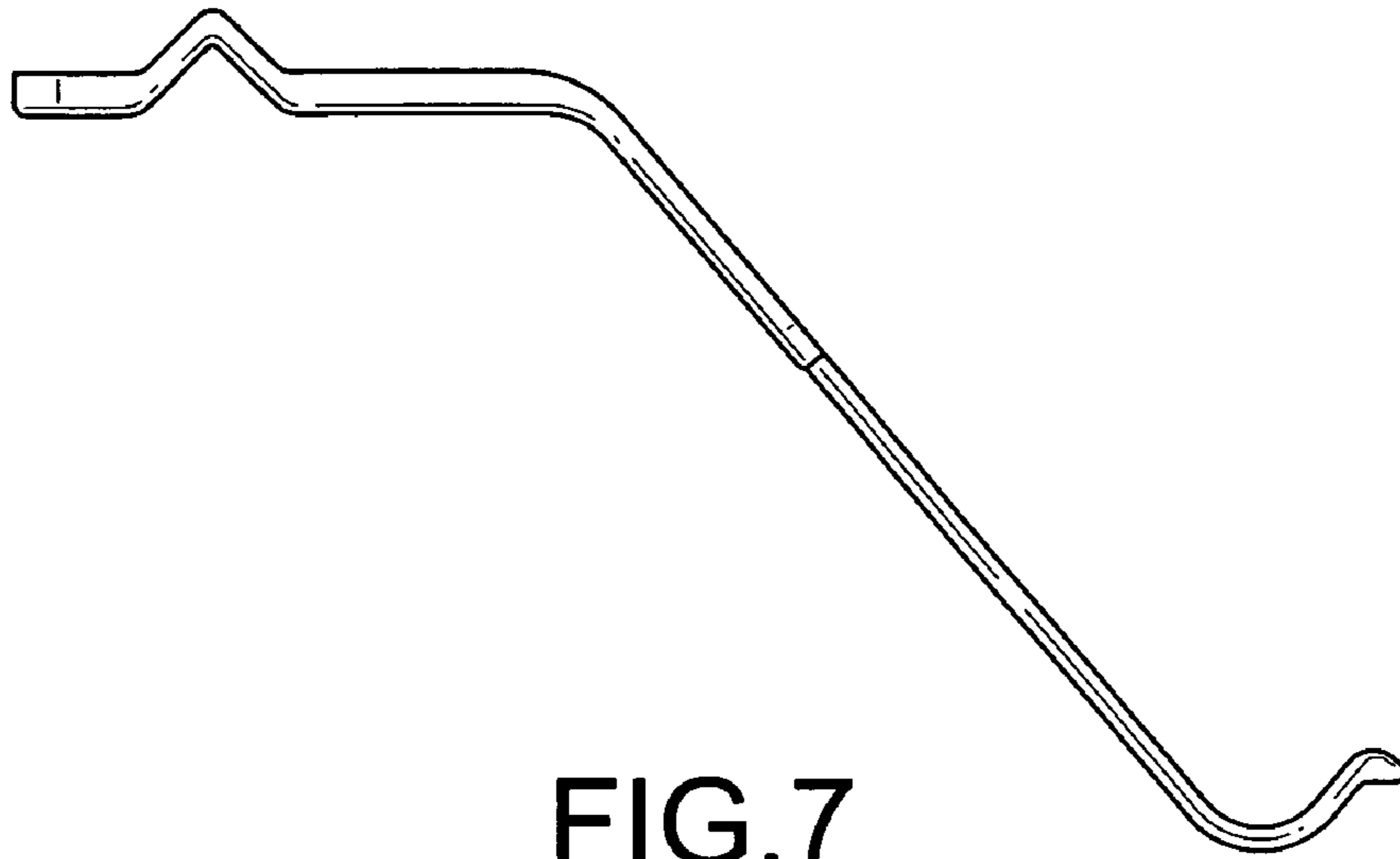


FIG. 7

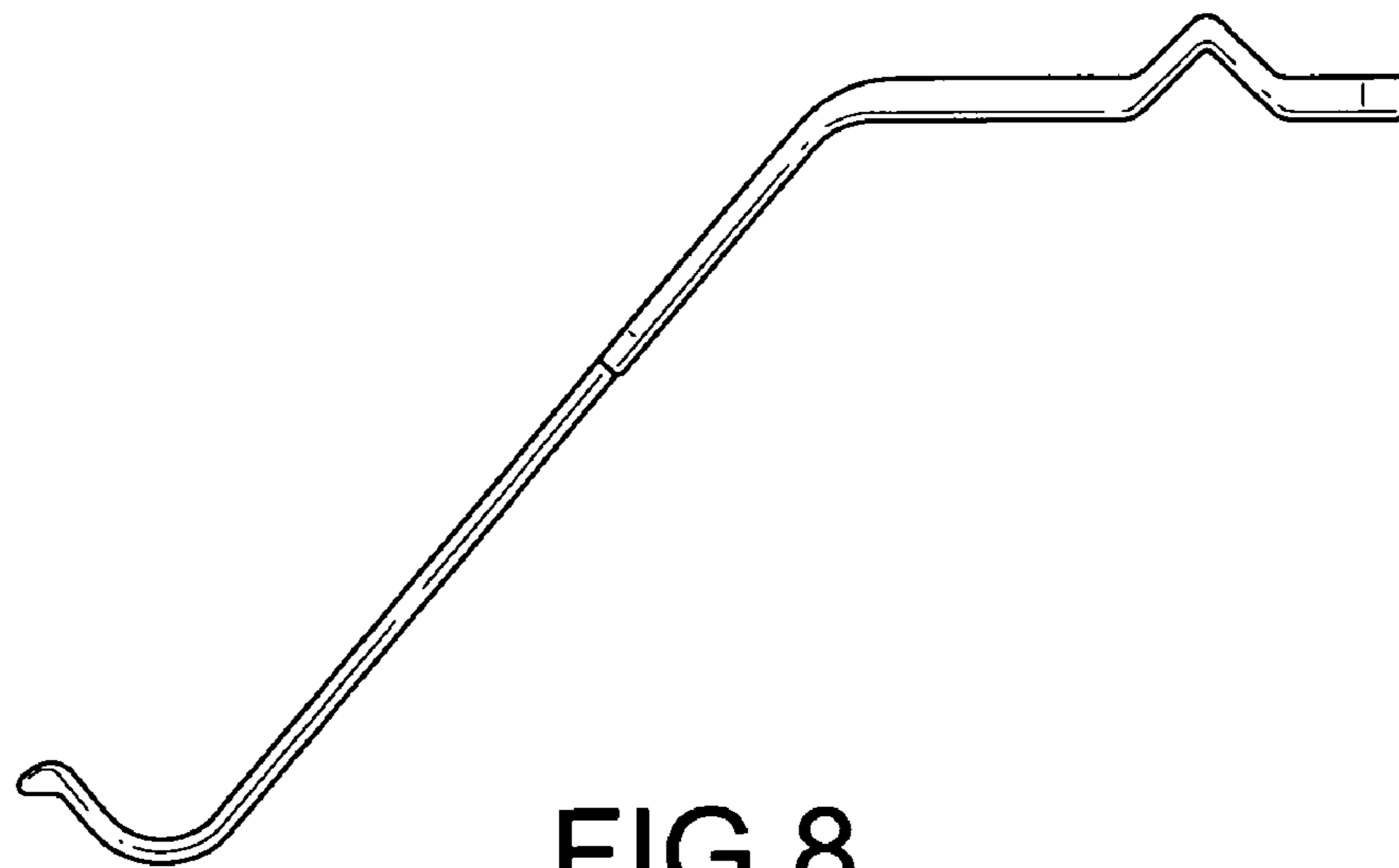


FIG. 8