



US00D583061S

(12) **United States Design Patent**
Tamburrino et al.

(10) **Patent No.:** **US D583,061 S**
(45) **Date of Patent:** **** Dec. 16, 2008**

(54) **SURGICAL ILLUMINATOR**

(75) Inventors: **Richard Tamburrino**, Auburn, NY
(US); **Chris Roberts**, Skaneateles, NY
(US); **David Tufenkjian**, Marcellus, NY
(US); **Todd Abernethy**, Skaneateles, NY
(US)

(73) Assignee: **Welch Allyn Inc.**, Skaneateles Falls, NY
(US)

(**) Term: **14 Years**

(21) Appl. No.: **29/304,089**

(22) Filed: **Feb. 25, 2008**

Related U.S. Application Data

(62) Division of application No. 29/282,981, filed on Aug. 3, 2007, now Pat. No. Des. 567,382.

(51) **LOC (8) Cl.** **24-02**

(52) **U.S. Cl.** **D24/185**

(58) **Field of Classification Search** D24/185,
D24/137-138, 231; D26/27; D13/101, 199;
362/551-552, 72; 128/4-8; 606/34
See application file for complete search history.

(56) **References Cited**

U.S. PATENT DOCUMENTS

D202,552 S * 10/1965 Ross D24/137
3,775,606 A * 11/1973 Bazell et al. 362/552
D243,115 S * 1/1977 Ziegler et al. D24/138
D244,049 S * 4/1977 Feinbloom et al. D26/27
4,060,724 A * 11/1977 Heine et al. 362/572
4,933,816 A * 6/1990 Hug et al. 362/551
D327,952 S * 7/1992 Van Der Bel D26/27

D328,151 S * 7/1992 Feinbloom D26/27
D328,155 S * 7/1992 Feinbloom D26/27
D349,340 S * 8/1994 Snoke et al. D24/138
D523,806 S * 6/2006 Symanzik et al. D13/101
D567,382 S * 4/2008 Tamburrino et al. D24/185
2004/0243120 A1 * 12/2004 Orszulak et al. 606/34

* cited by examiner

Primary Examiner—Robert A. Delehanty

Assistant Examiner—Mark Cavanna

(74) *Attorney, Agent, or Firm*—Hiscock & Barclay, LLP

(57) **CLAIM**

The ornamental design for a surgical illuminator, as shown and described.

DESCRIPTION

FIG. 1 is an isometric view of a surgical illuminator drawn broken away to indicate no particular length is claimed, showing our new design;

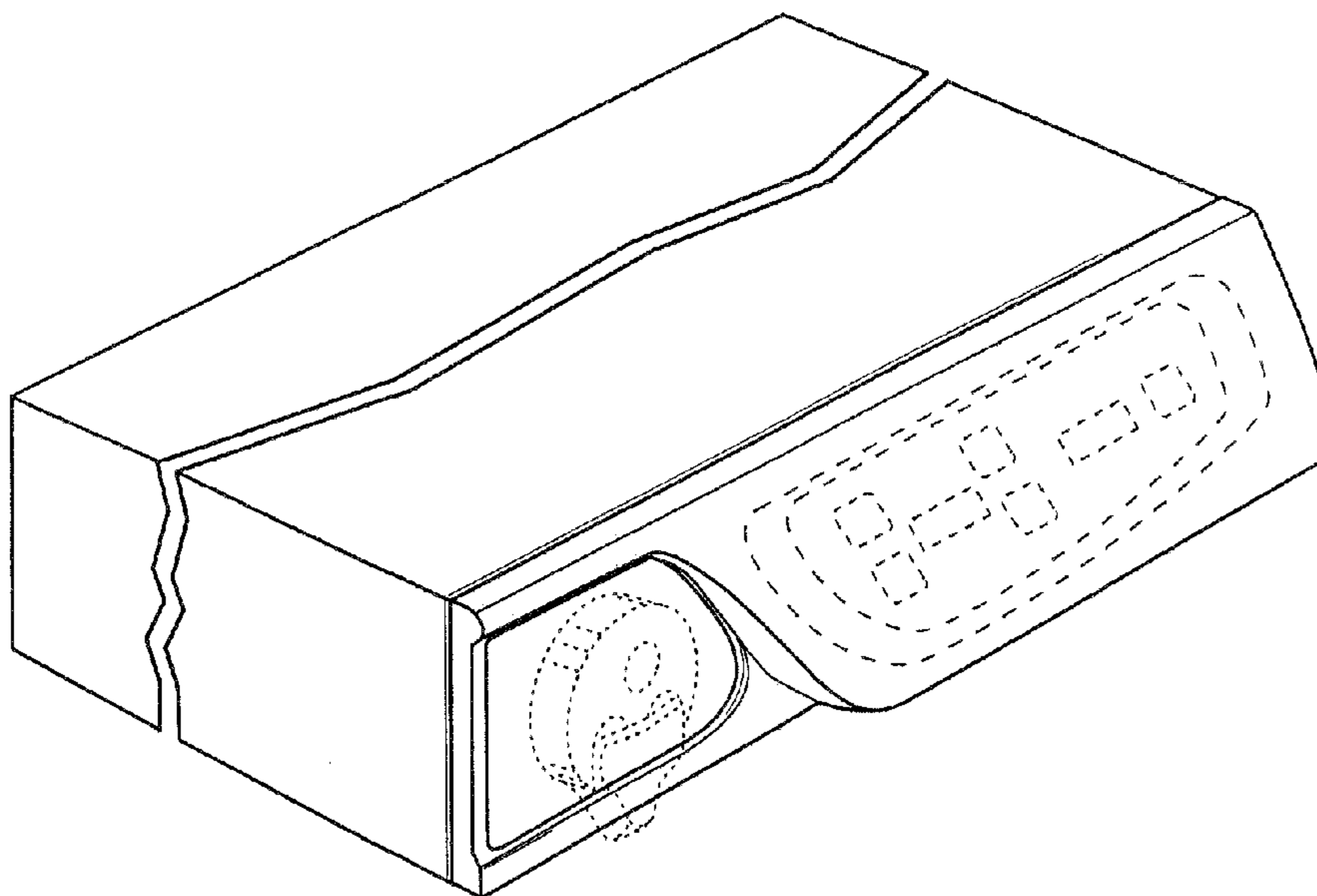
FIG. 2 is a second isometric view of a surgical illuminator drawn broken away to indicate no particular length is claimed;

FIG. 3 shown slightly reduced in scale is a front view thereof; FIG. 4 is a partial side view looking in the direction indicated by line 4—4 in FIG. 3; and,

FIG. 5 is a partial side view looking in the direction indicated by line 5—5 in FIG. 3.

The display face of the surgical illuminator (shown in FIGS. 1-3) and turret (shown in FIGS. 1-5) are shown in broken (dashed) lines for illustrative purposes only and form no part of the claimed designs.

1 Claim, 3 Drawing Sheets



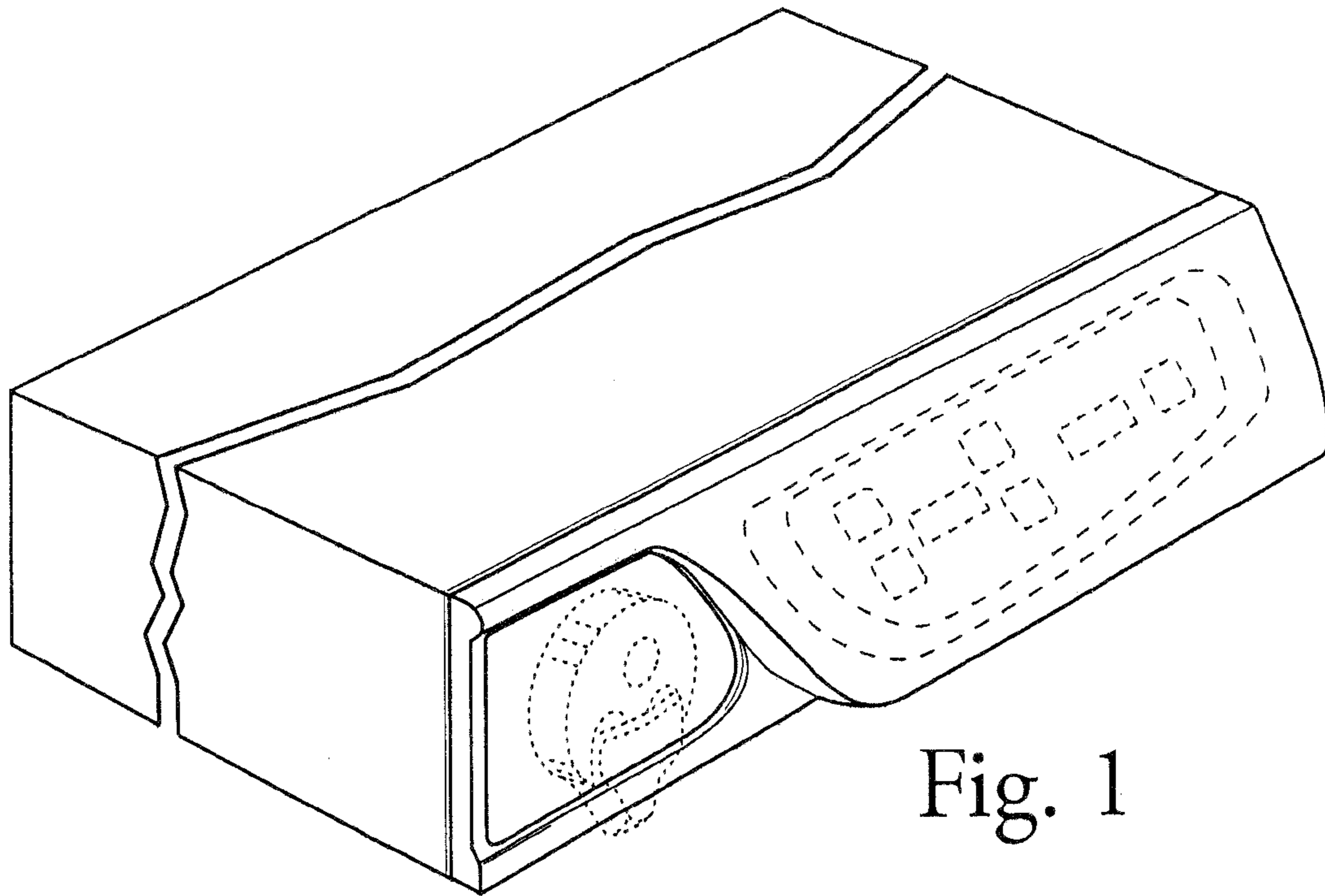


Fig. 1

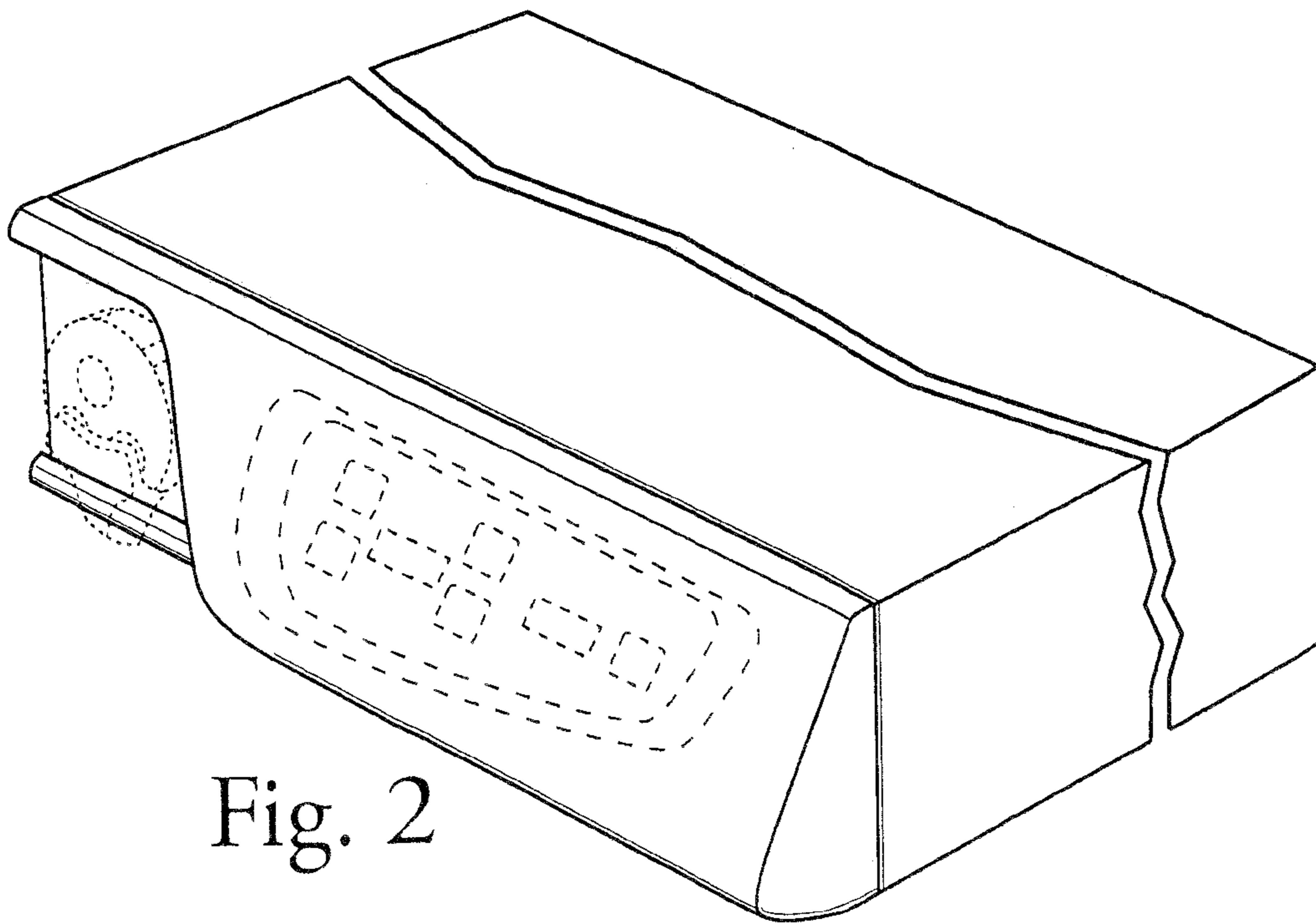


Fig. 2

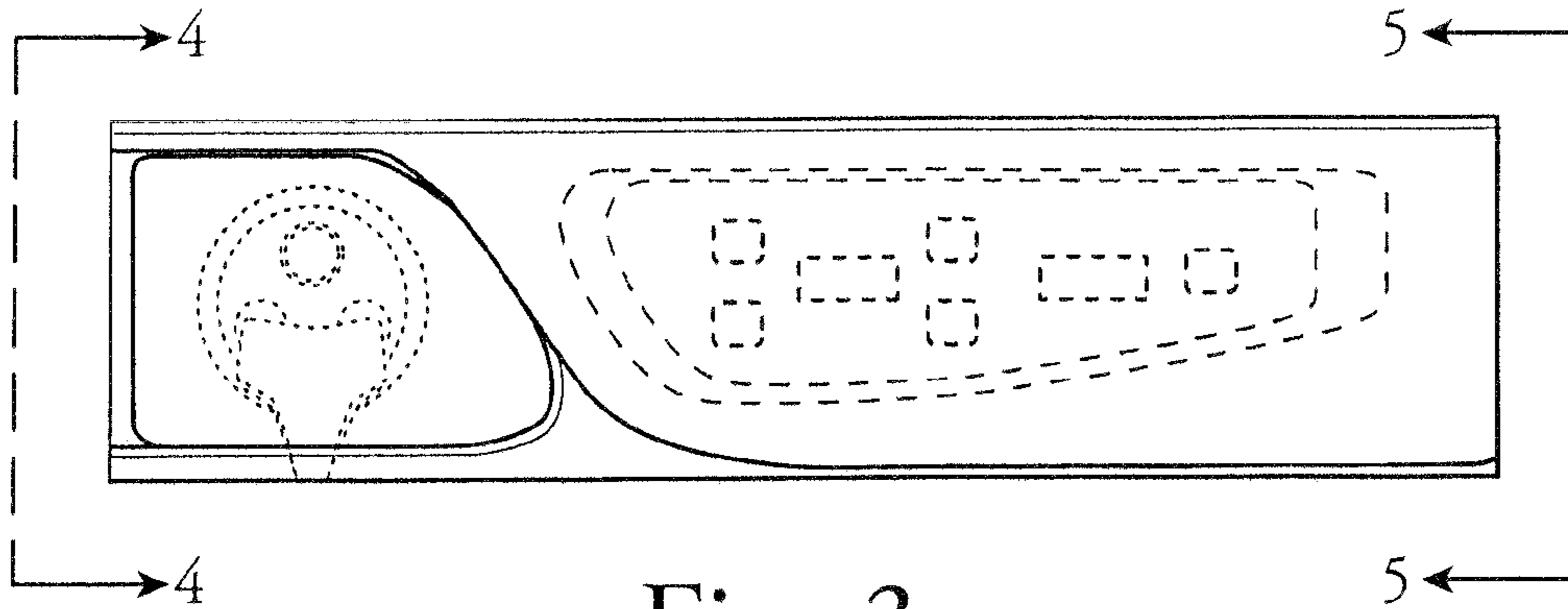


Fig. 3

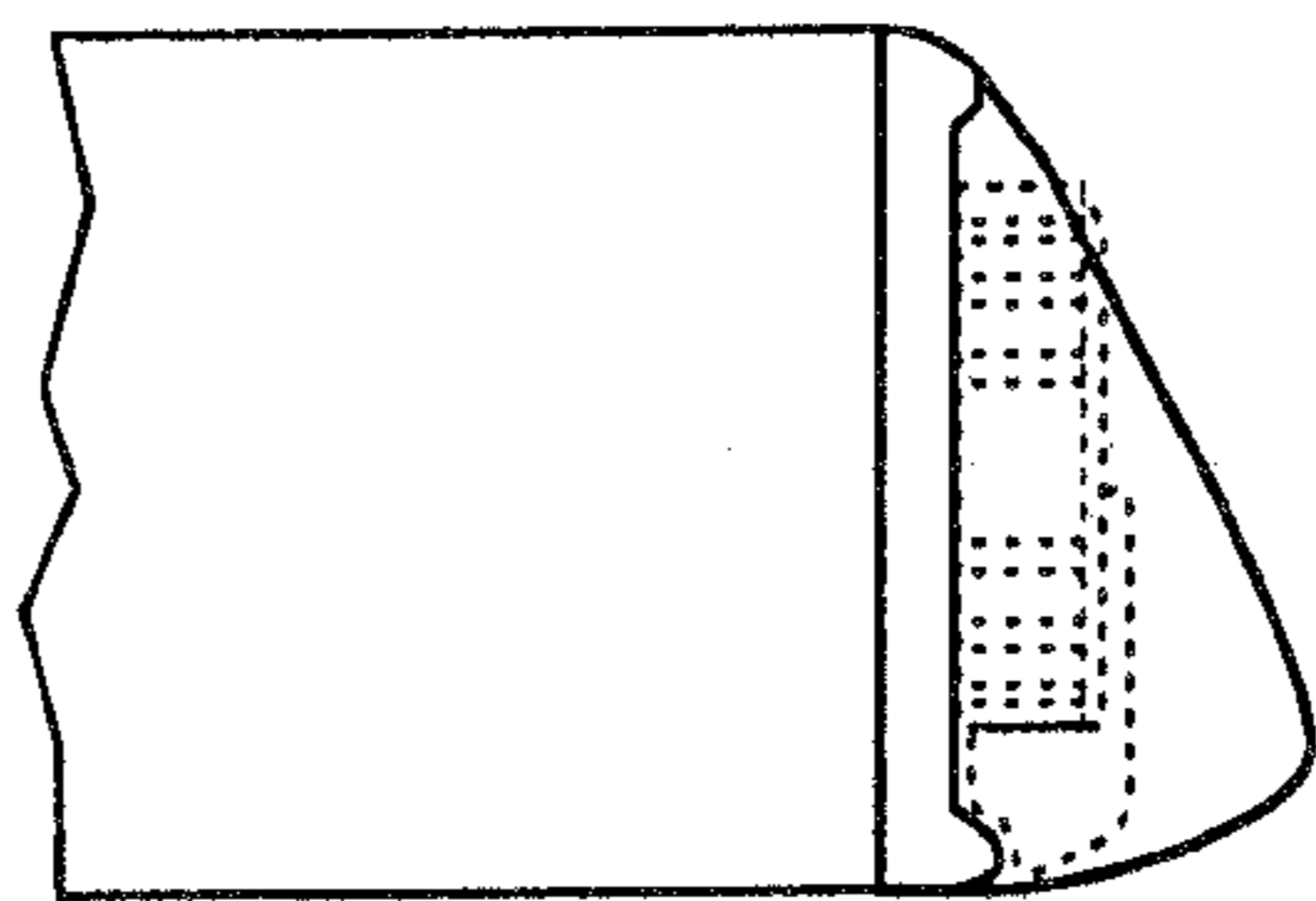


Fig. 4

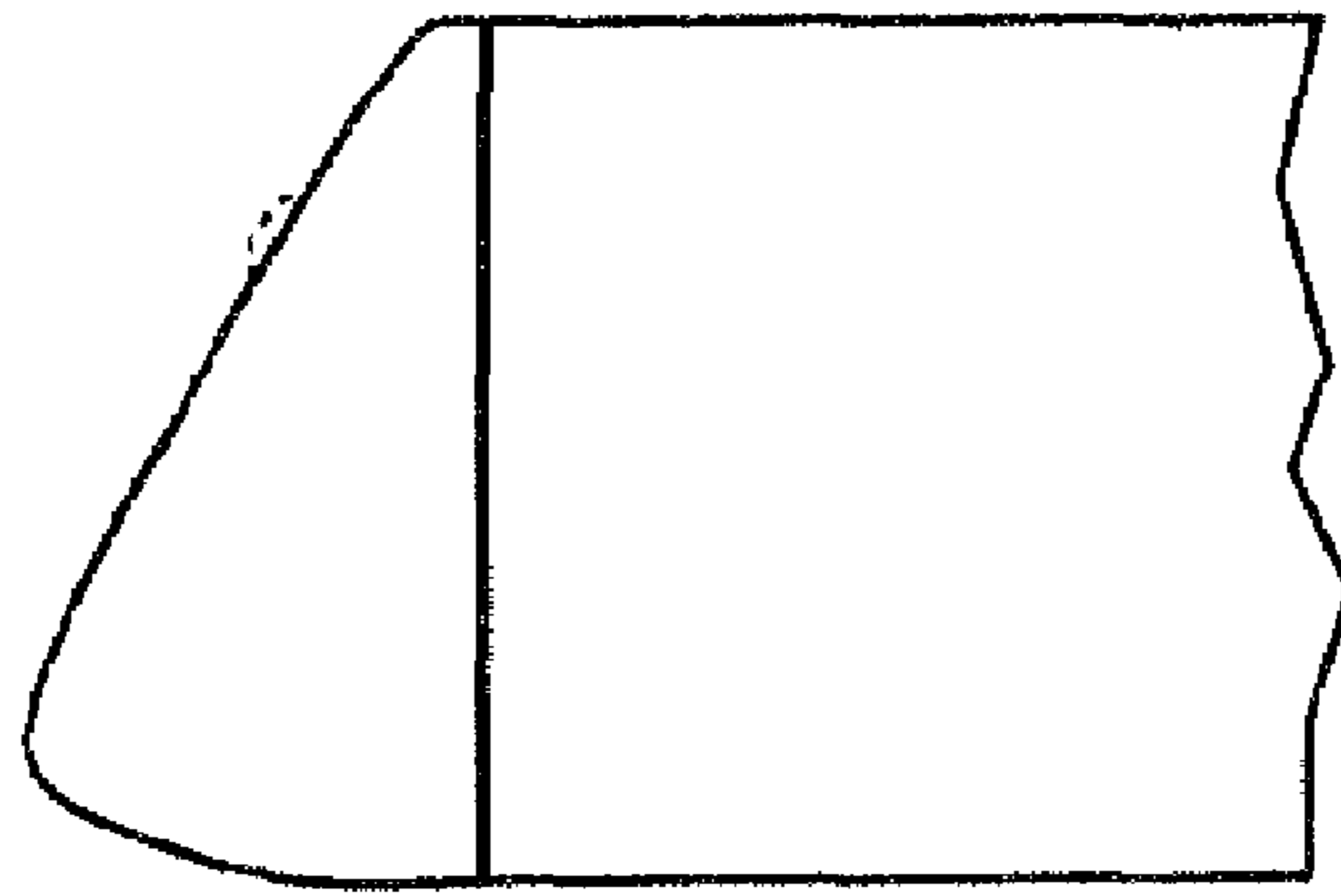


Fig. 5