



US00D583058S

(12) **United States Design Patent**
Short

(10) **Patent No.:** **US D583,058 S**

(45) **Date of Patent:** **** Dec. 16, 2008**

(54) **KIDNEY STONE COLLECTION DEVICE**

D310,123 S * 8/1990 Carlson D24/162
D382,963 S * 8/1997 Didier D24/162
D407,491 S * 3/1999 Rocha D24/162

(76) Inventor: **David A. Short**, P.O. Box 14, Lane, IL
(US) 61750-0014

* cited by examiner

(**) Term: **14 Years**

Primary Examiner—Joel Sincavage

Assistant Examiner—Anhdao Doan

(21) Appl. No.: **29/294,678**

(74) *Attorney, Agent, or Firm*—Alvin T. Rockhill

(22) Filed: **Jan. 23, 2008**

(57) **CLAIM**

(51) **LOC (8) Cl.** **24-01**

The ornamental design for a kidney stone collection device,
as shown and described.

(52) **U.S. Cl.** **D24/162; D24/216**

(58) **Field of Classification Search** D24/162,
D24/216, 224, 231, 232; D23/207, 209;
210/436, 437, 441, 445, 447, 448, 453; 422/99,
422/100, 101

See application file for complete search history.

DESCRIPTION

FIG. 1 is a perspective view of the kidney stone collection device showing my new design;

FIG. 2 is a top view thereof;

FIG. 3 is a front view thereof; the front view being identical to the left side view, the right side view, and the back view;

FIG. 4 is a bottom view thereof; and,

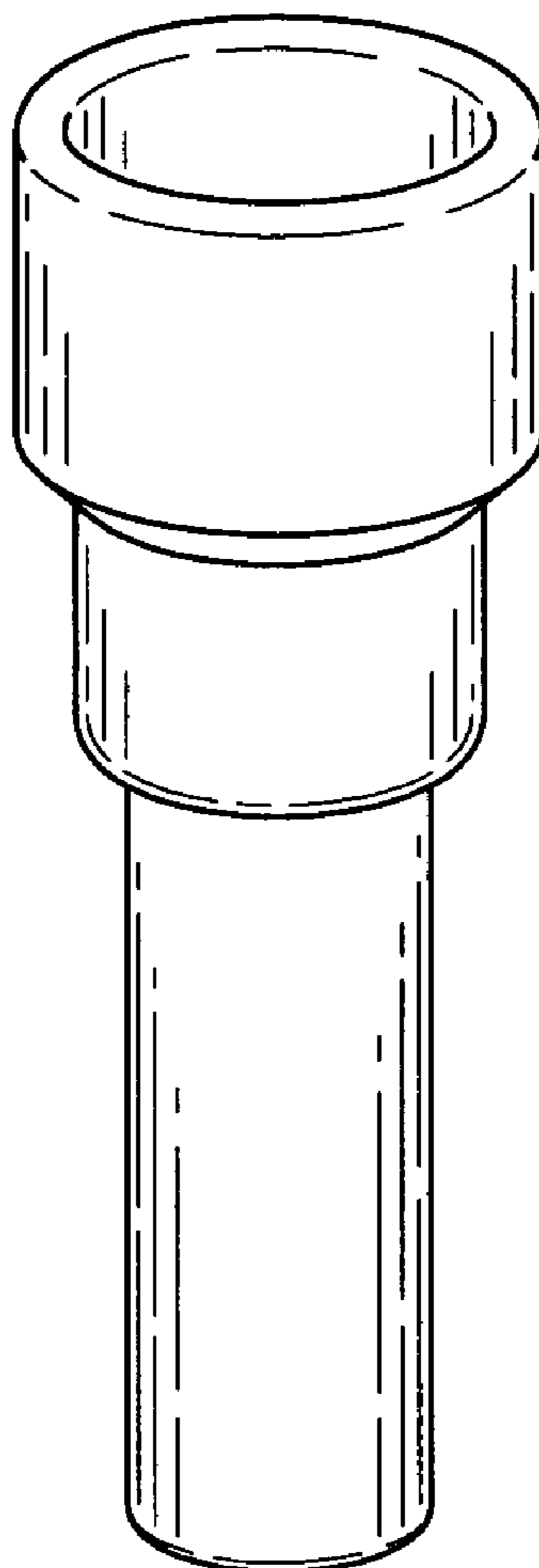
FIG. 5 is a cross-sectional view taken at line 5—5 in FIG. 2.

(56) **References Cited**

U.S. PATENT DOCUMENTS

D240,531 S * 7/1976 Elkington D23/207
D281,534 S * 11/1985 Ushikubo D24/224
D285,487 S * 9/1986 Tjernagel D24/162
D286,072 S * 10/1986 Miller D24/224

1 Claim, 1 Drawing Sheet



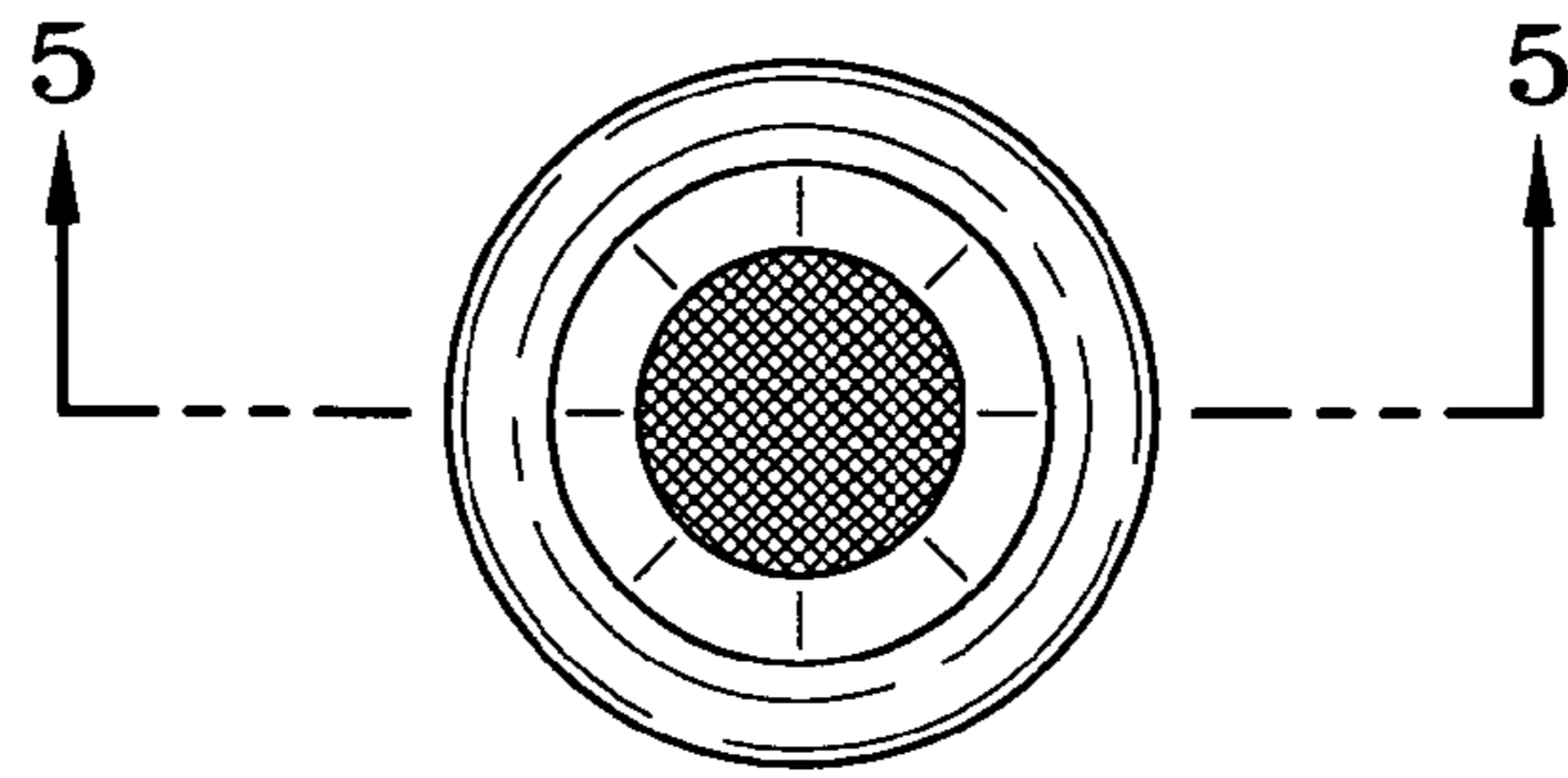


FIG-2

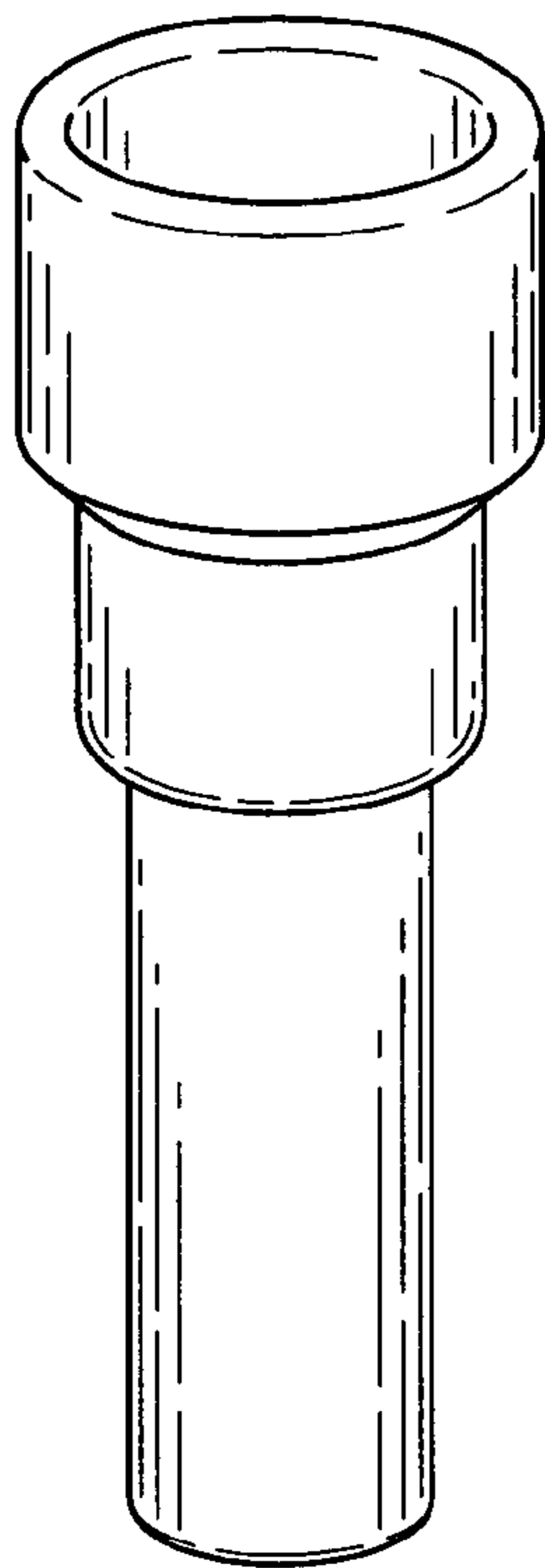


FIG-1

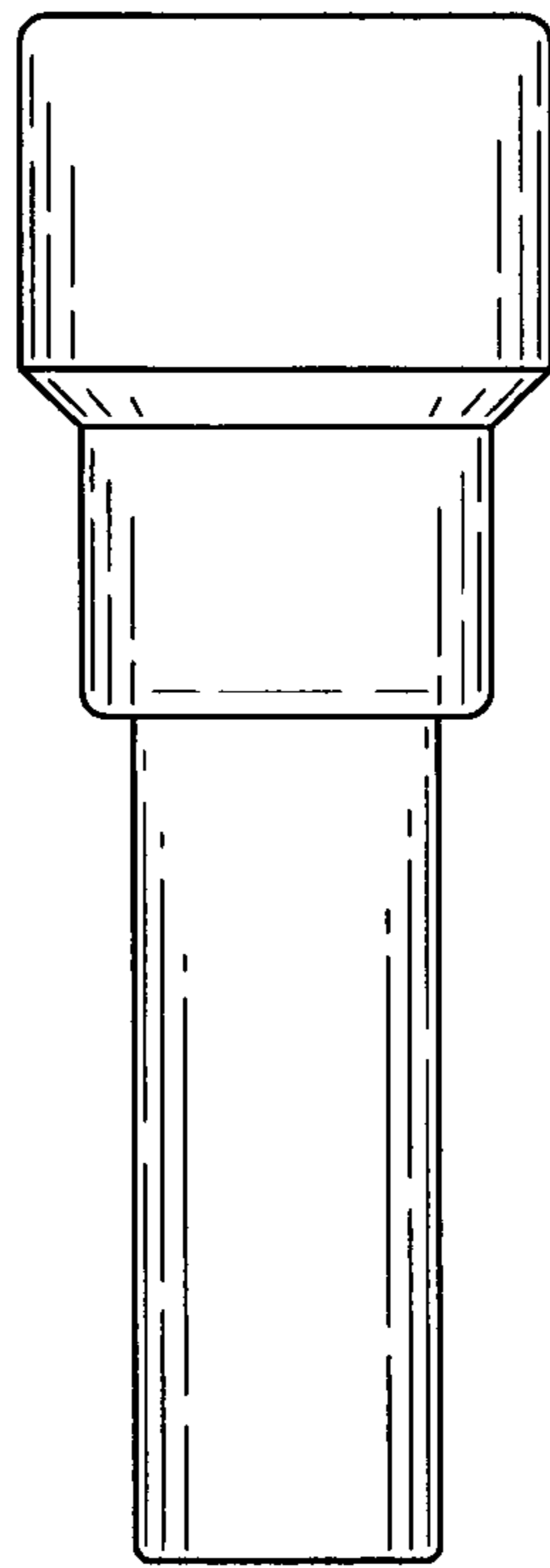


FIG-3

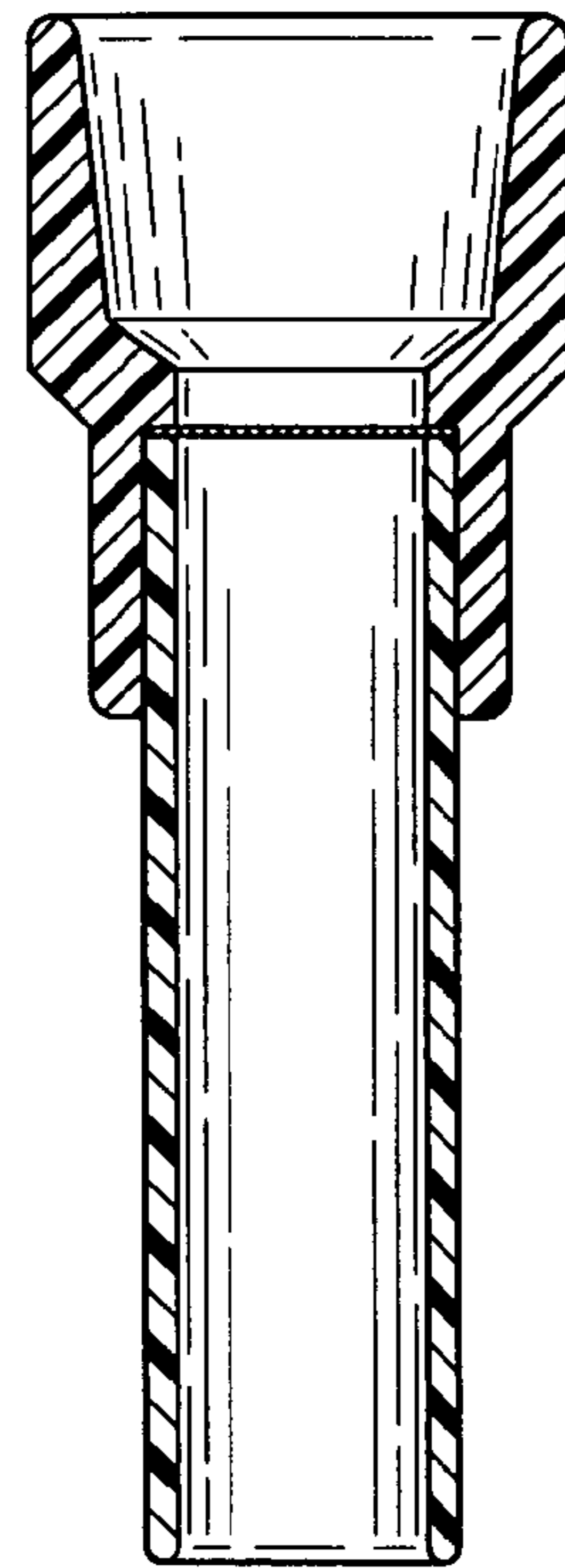


FIG-5

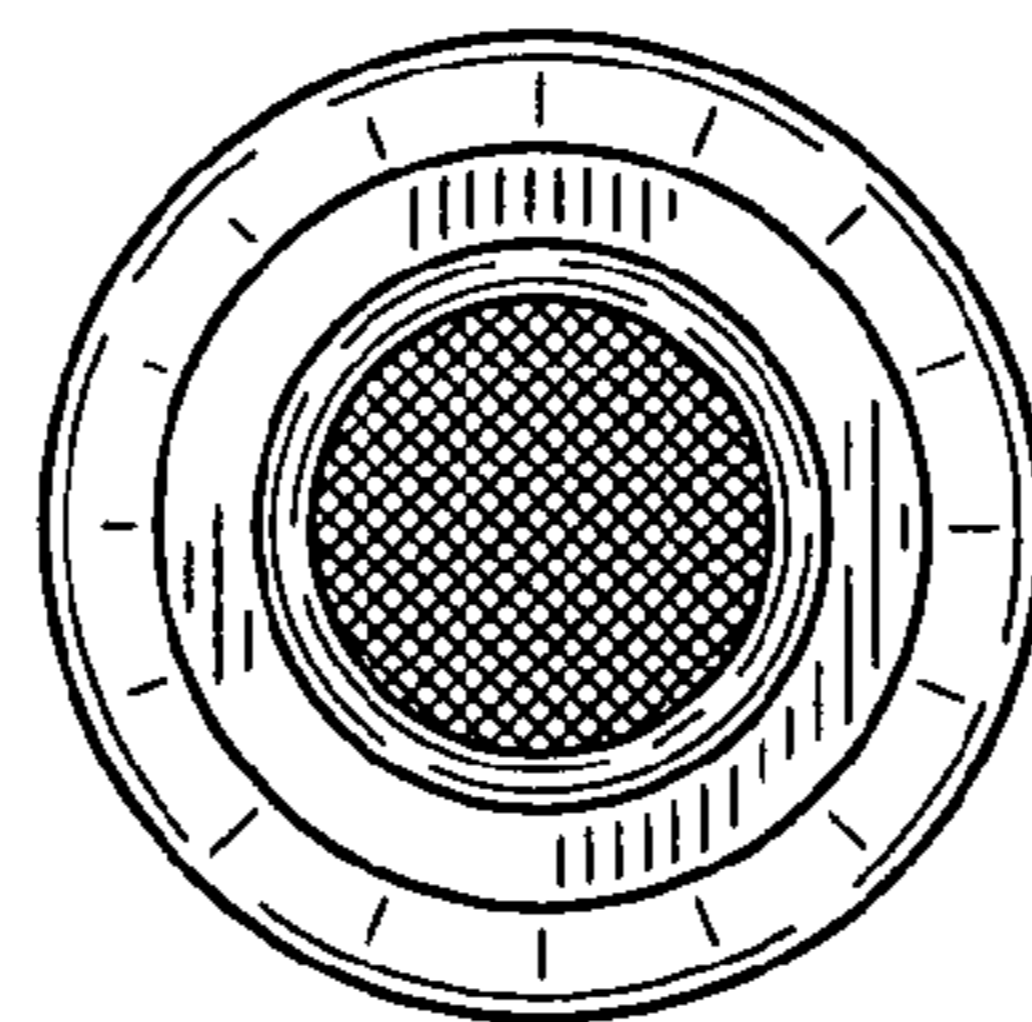


FIG-4