



US00D583053S

(12) **United States Design Patent**
Zhukauskas et al.

(10) **Patent No.:** **US D583,053 S**

(45) **Date of Patent:** **** Dec. 16, 2008**

(54) **ORTHOPEDIC BONE BLOCK**

(75) Inventors: **Arunas A. Zhukauskas**, Gainesville, FL (US); **Guy B. Grover**, Gainesville, FL (US)

(73) Assignee: **RTI Biologics, Inc.**, Alachua, FL (US)

(**) Term: **14 Years**

(21) Appl. No.: **29/255,371**

(22) Filed: **Mar. 6, 2006**

Related U.S. Application Data

(63) Continuation of application No. 11/313,280, filed on Dec. 19, 2005.

(51) **LOC (8) Cl.** **24-02**

(52) **U.S. Cl.** **D24/155**

(58) **Field of Classification Search** D24/155, D24/156; 606/61, 72, 74; 623/17.16, 17.17, 623/11.1; D8/387; 433/173

See application file for complete search history.

(56) **References Cited**

U.S. PATENT DOCUMENTS

3,705,586	A	12/1972	Sarracino	
4,781,183	A *	11/1988	Casey et al.	606/76
4,911,710	A	3/1990	Milthorpe et al.	
D336,683	S *	6/1993	Inoue et al.	D24/156
5,531,747	A *	7/1996	Ray	606/61

6,025,538	A	2/2000	Yaccarino	
D463,559	S *	9/2002	Bryant et al.	D24/155
D479,331	S *	9/2003	Pike et al.	D24/155
D536,453	S *	2/2007	Young et al.	D24/155
D553,745	S *	10/2007	Park	D24/155
2001/0031254	A1	10/2001	Bianchi et al.	
2002/0072806	A1	6/2002	Buskirk et al.	
2003/0171811	A1	9/2003	Steiner et al.	
2004/0030385	A1	2/2004	Steiner	
2004/0210308	A1	10/2004	Carter et al.	

* cited by examiner

Primary Examiner—Charles A. Rademaker

(74) *Attorney, Agent, or Firm*—McAndrews, Held & Malloy, Ltd.

(57) **CLAIM**

The ornamental design for an orthopedic bone block, as shown and described.

DESCRIPTION

FIG. 1 is perspective view of an orthopedic bone block showing new design;

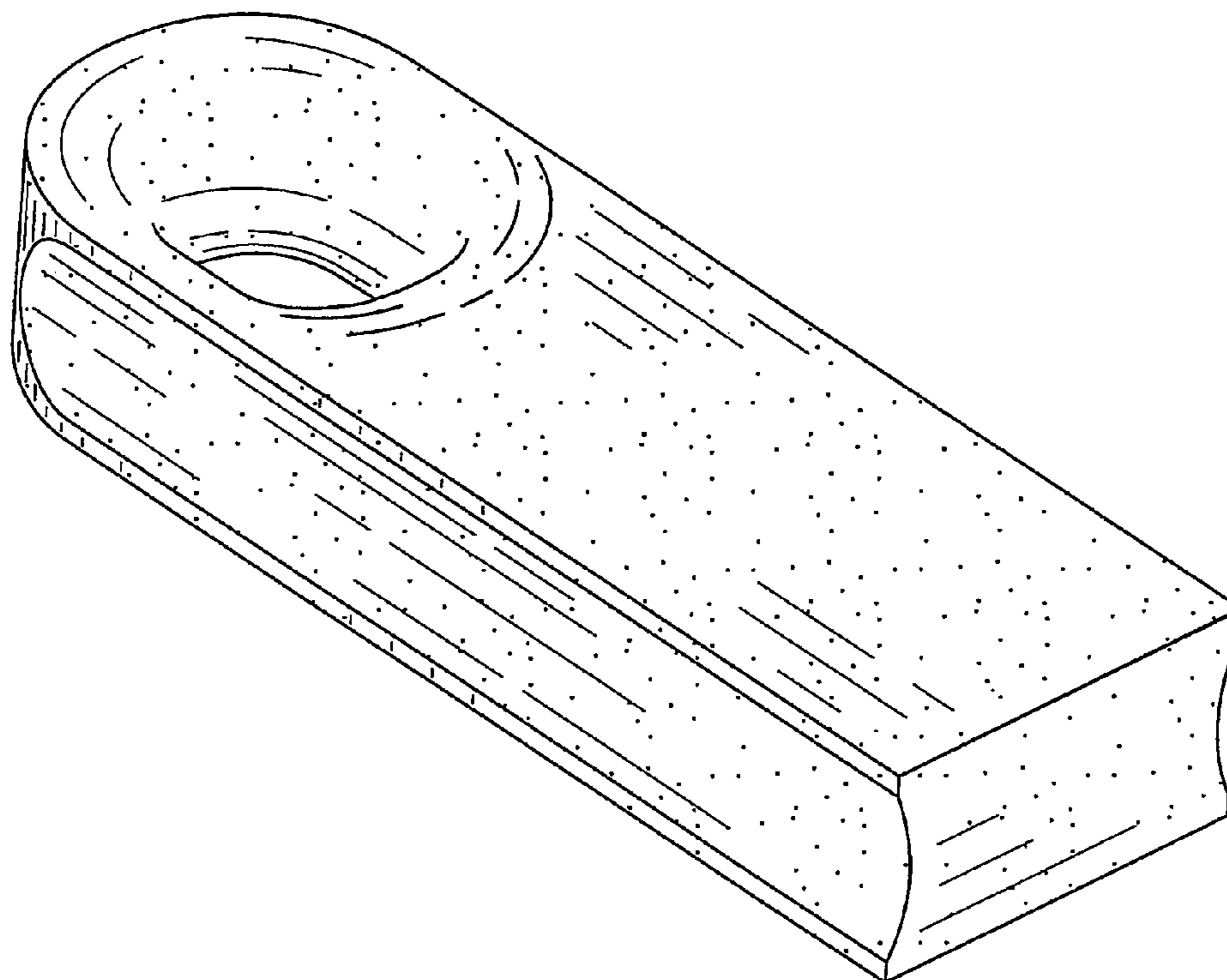
FIG. 2 is a front elevation thereof;

FIG. 3 is a back elevation thereof;

FIG. 4 is a left side elevation thereof, and the side opposite being a mirror image; and,

FIG. 5 is a top plan view thereof, the side opposite being a mirror image.

1 Claim, 2 Drawing Sheets



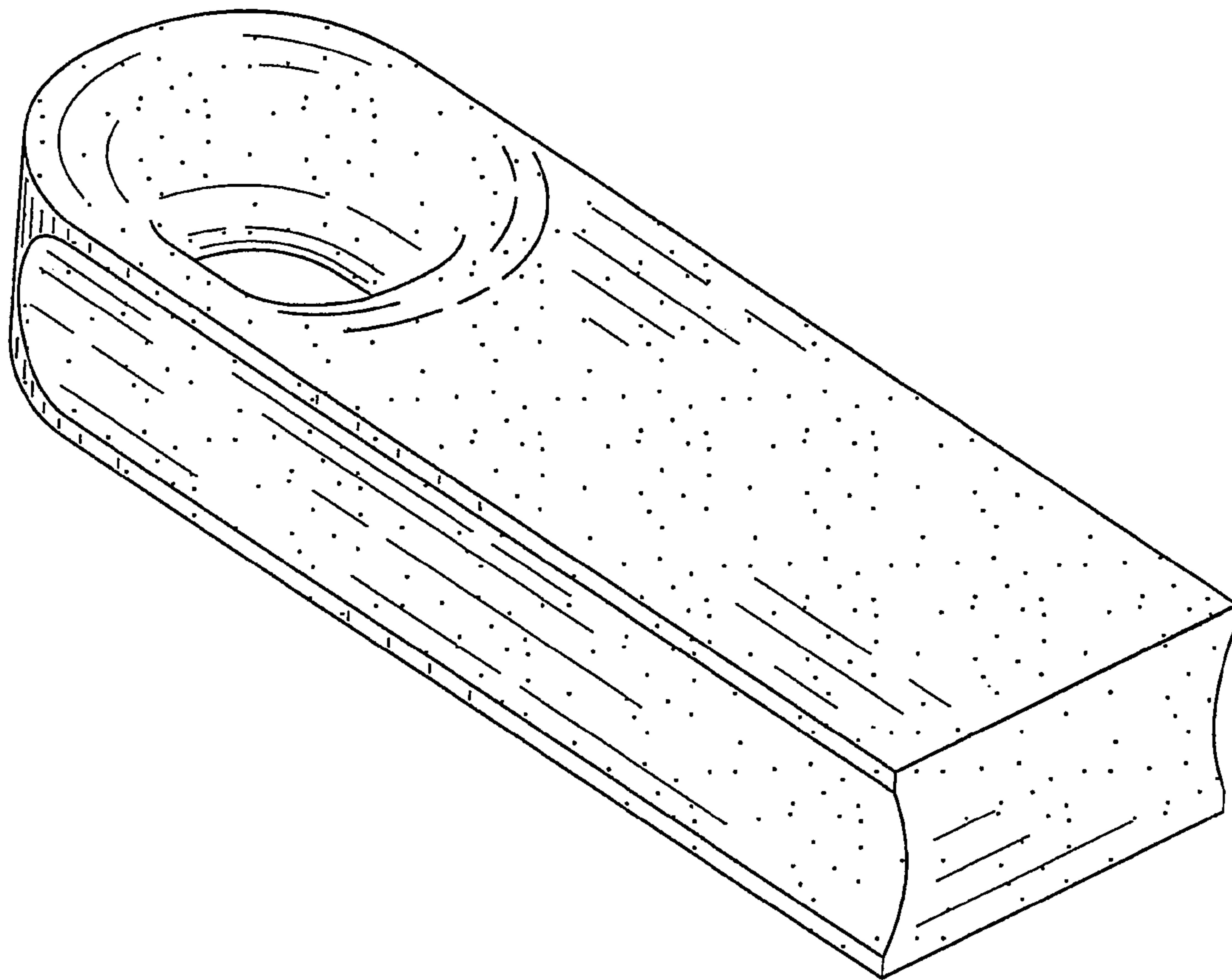


FIG. 1

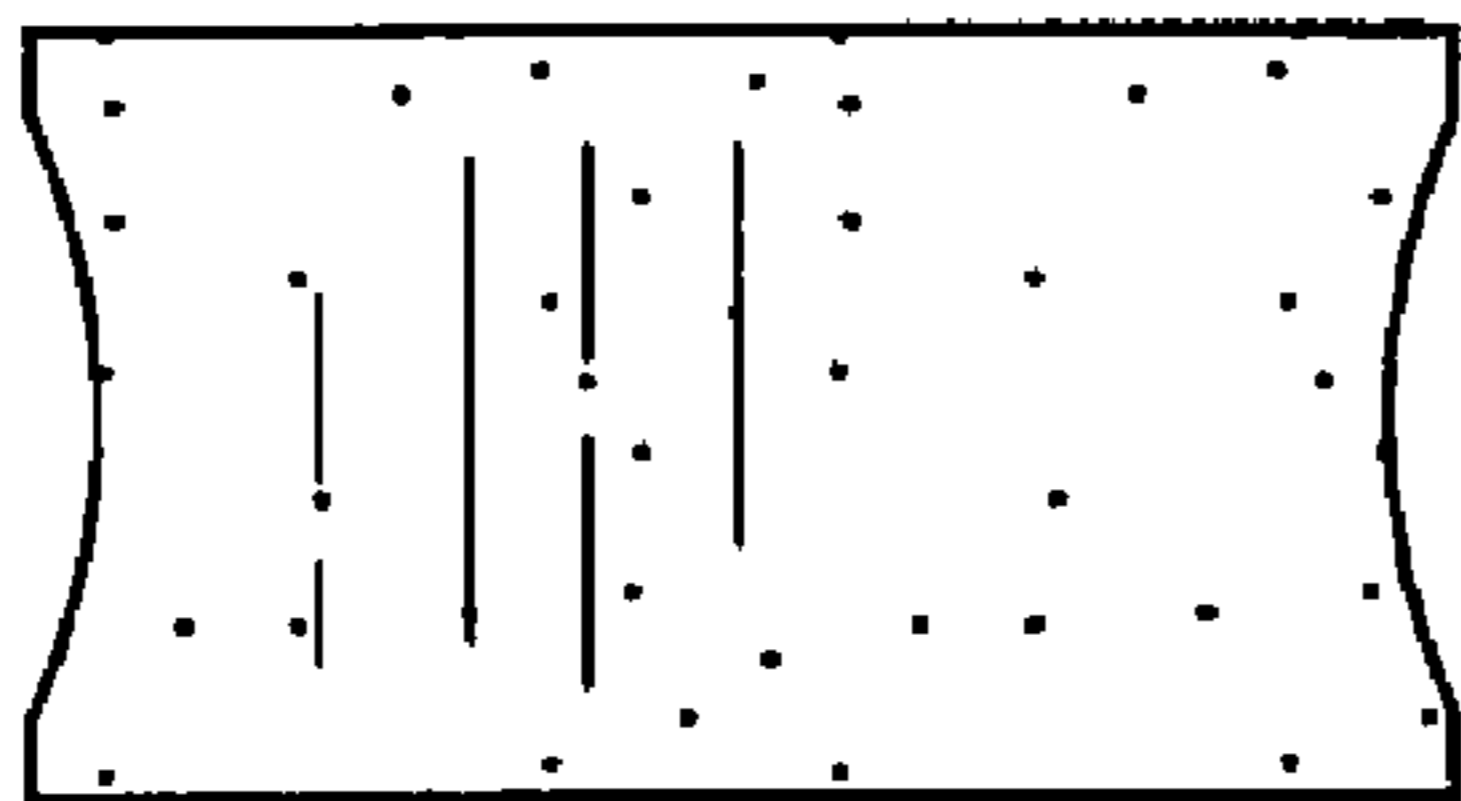


FIG. 2

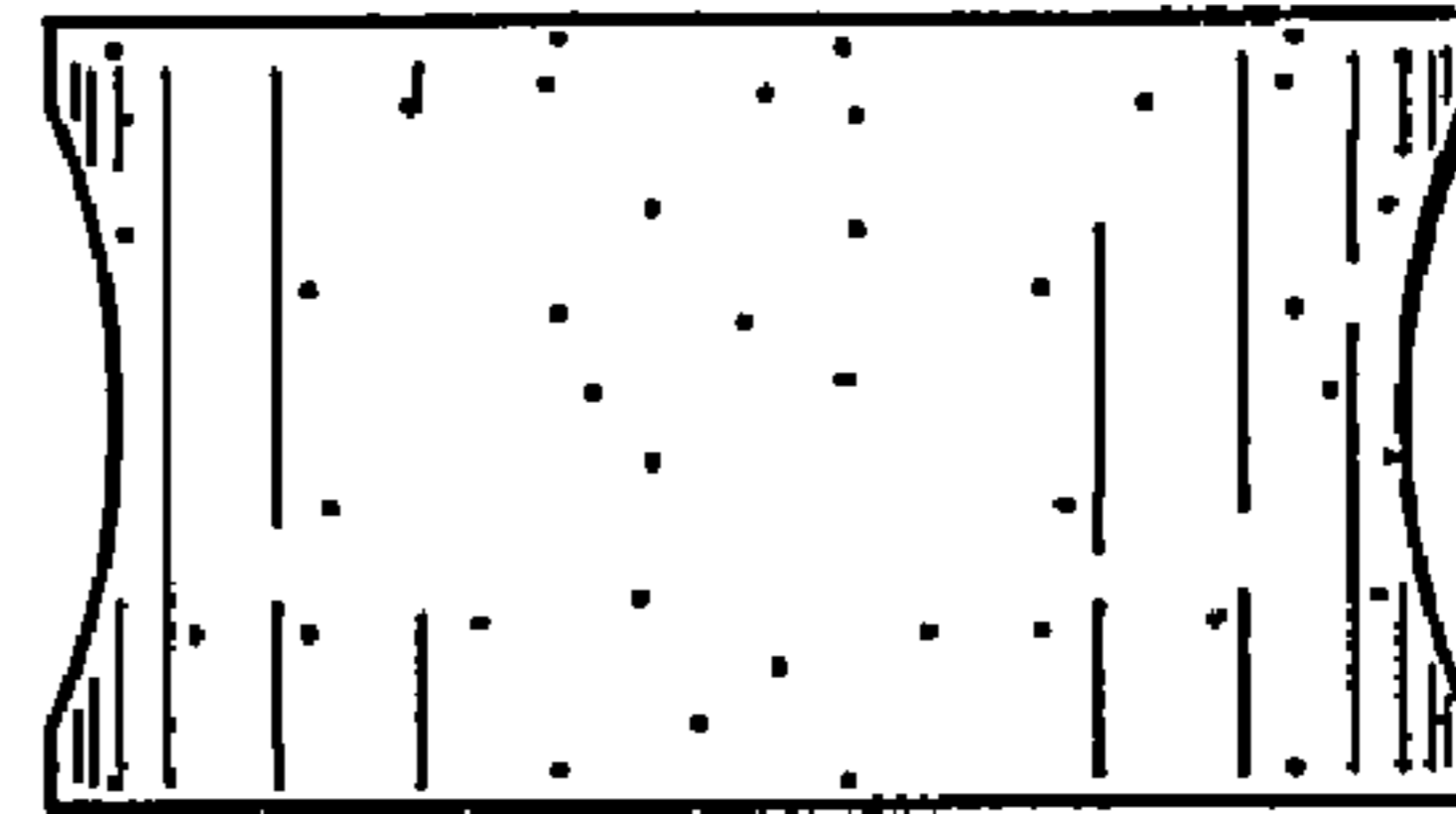


FIG. 3

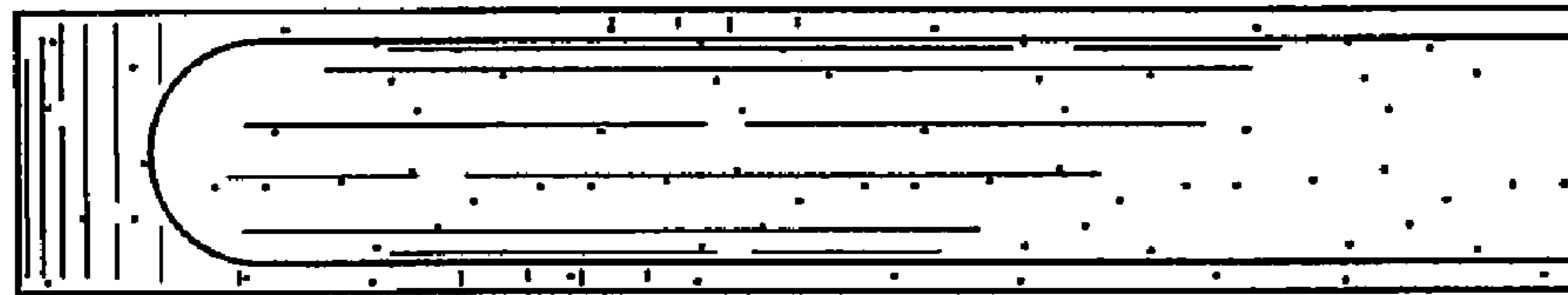


FIG. 4

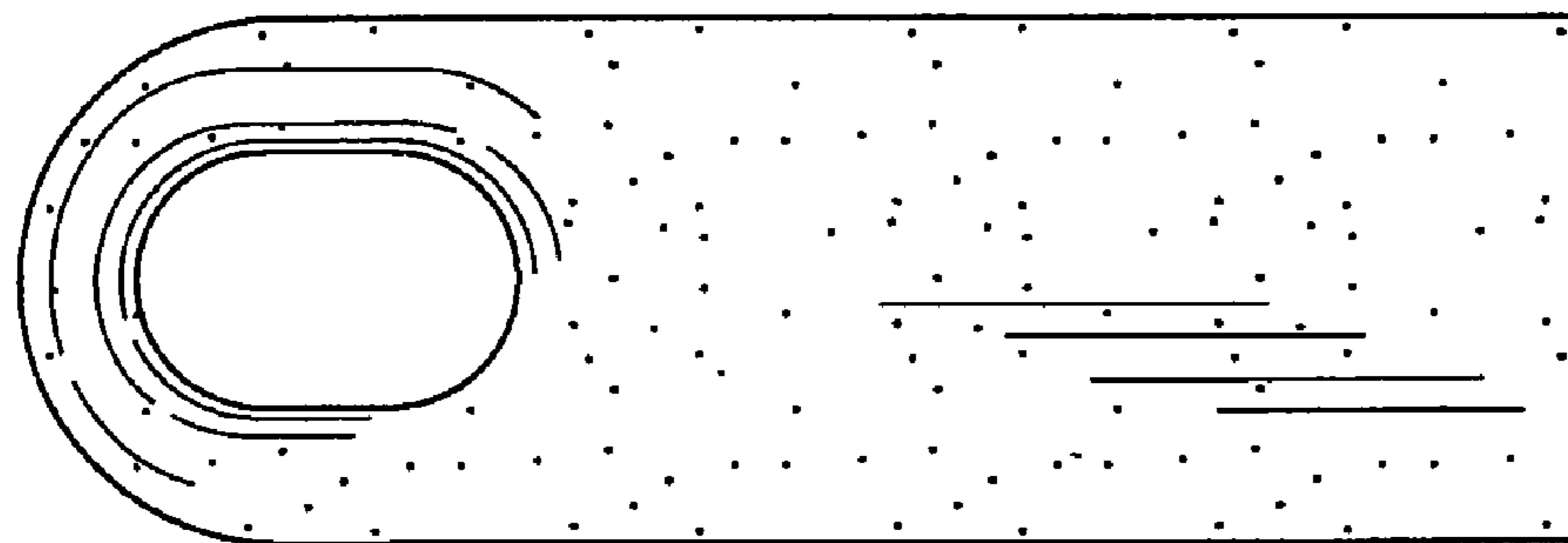


FIG. 5