

US00D583052S

(12) **United States Design Patent**
Kagawa

(10) **Patent No.:** **US D583,052 S**

(45) **Date of Patent:** **** Dec. 16, 2008**

(54) **DENTAL HANDPIECE**

(75) Inventor: **Takeshi Kagawa**, Tokyo (JP)

(73) Assignee: **Nakanishi Inc.**, Kanuma-shi (JP)

(**) Term: **14 Years**

(21) Appl. No.: **29/277,667**

(22) Filed: **Mar. 6, 2007**

(51) **LOC (8) Cl.** **24-03**

(52) **U.S. Cl.** **D24/152**

(58) **Field of Classification Search** D24/133,
D24/146, 152, 153, 111; 433/85-86, 88-89,
433/99, 103, 114, 125

See application file for complete search history.

(56) **References Cited**

U.S. PATENT DOCUMENTS

D192,356 S *	3/1962	Strauss	D24/146
D251,304 S *	3/1979	Leonard	D24/146
4,753,594 A *	6/1988	Croll	433/125
D323,395 S *	1/1992	Meller et al.	D24/146

5,374,189 A *	12/1994	Mendoza	433/125
D356,866 S *	3/1995	Meller	D24/152
5,857,851 A *	1/1999	Chavanne	433/88

* cited by examiner

Primary Examiner—Adir Aronovich

Assistant Examiner—Wan Laymon

(74) *Attorney, Agent, or Firm*—Hahn & Voight PLLC

(57) **CLAIM**

The ornamental design for a dental handpiece, as shown and described.

DESCRIPTION

FIG. 1 is a front view of a dental handpiece showing my new design;

FIG. 2 is a right side view of the dental handpiece of FIG. 1;

FIG. 3 is a left side view of the dental handpiece of FIG. 1;

FIG. 4 is a top plan view of the dental handpiece of FIG. 1;

FIG. 5 is a bottom view of the dental handpiece of FIG. 1; and,

FIG. 6 is a perspective view of the dental handpiece of FIG. 1.

1 Claim, 3 Drawing Sheets

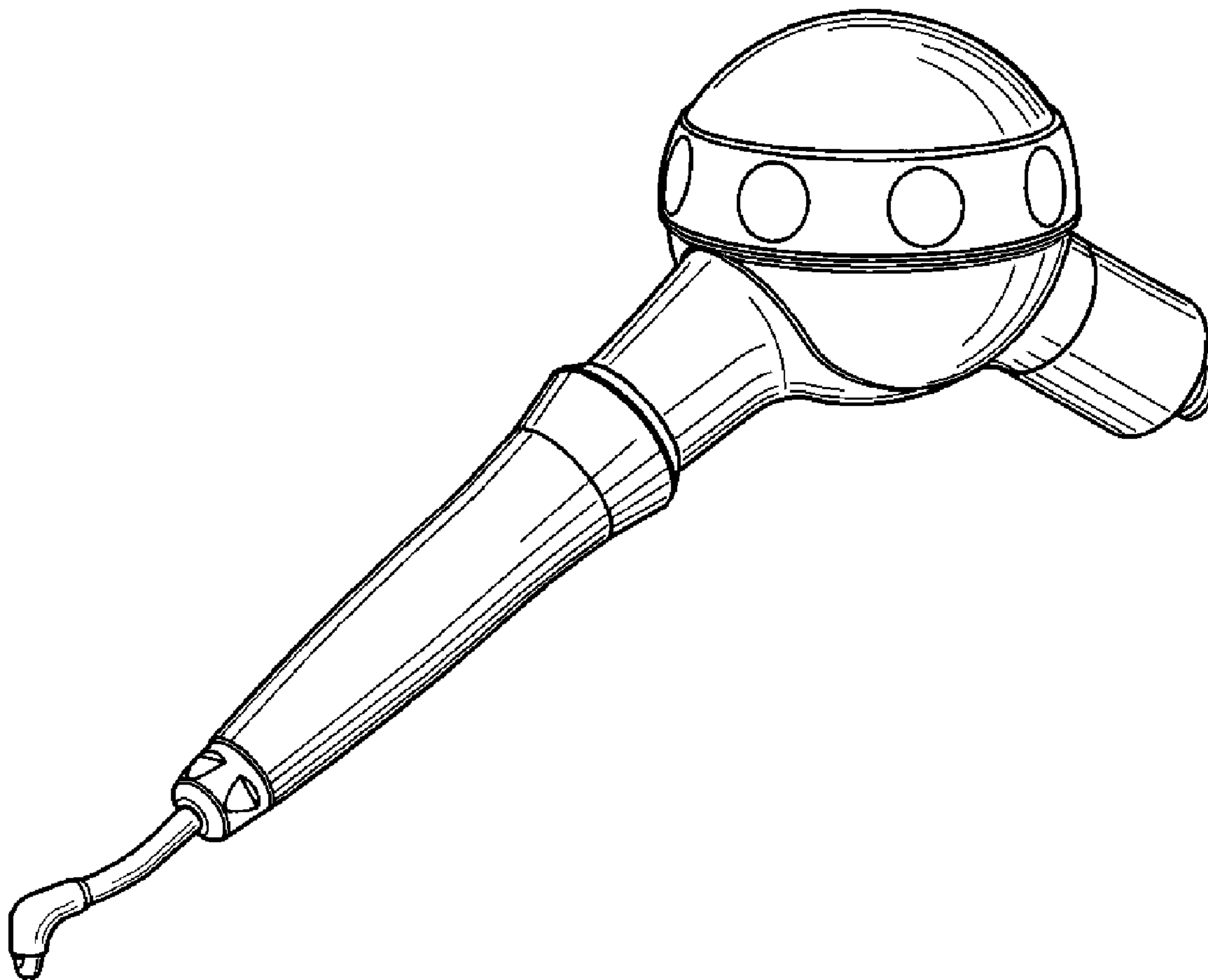


FIG. 1

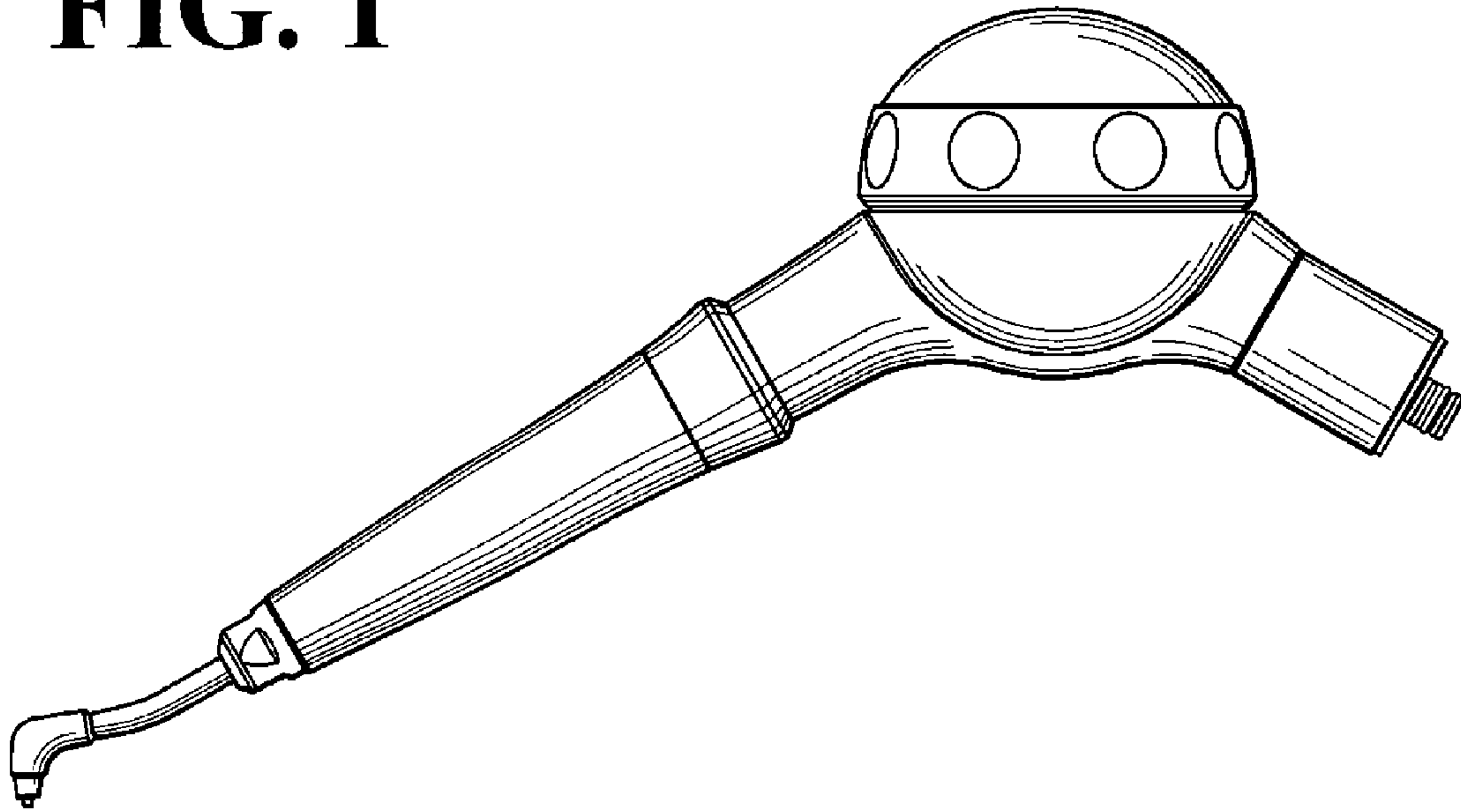


FIG. 2

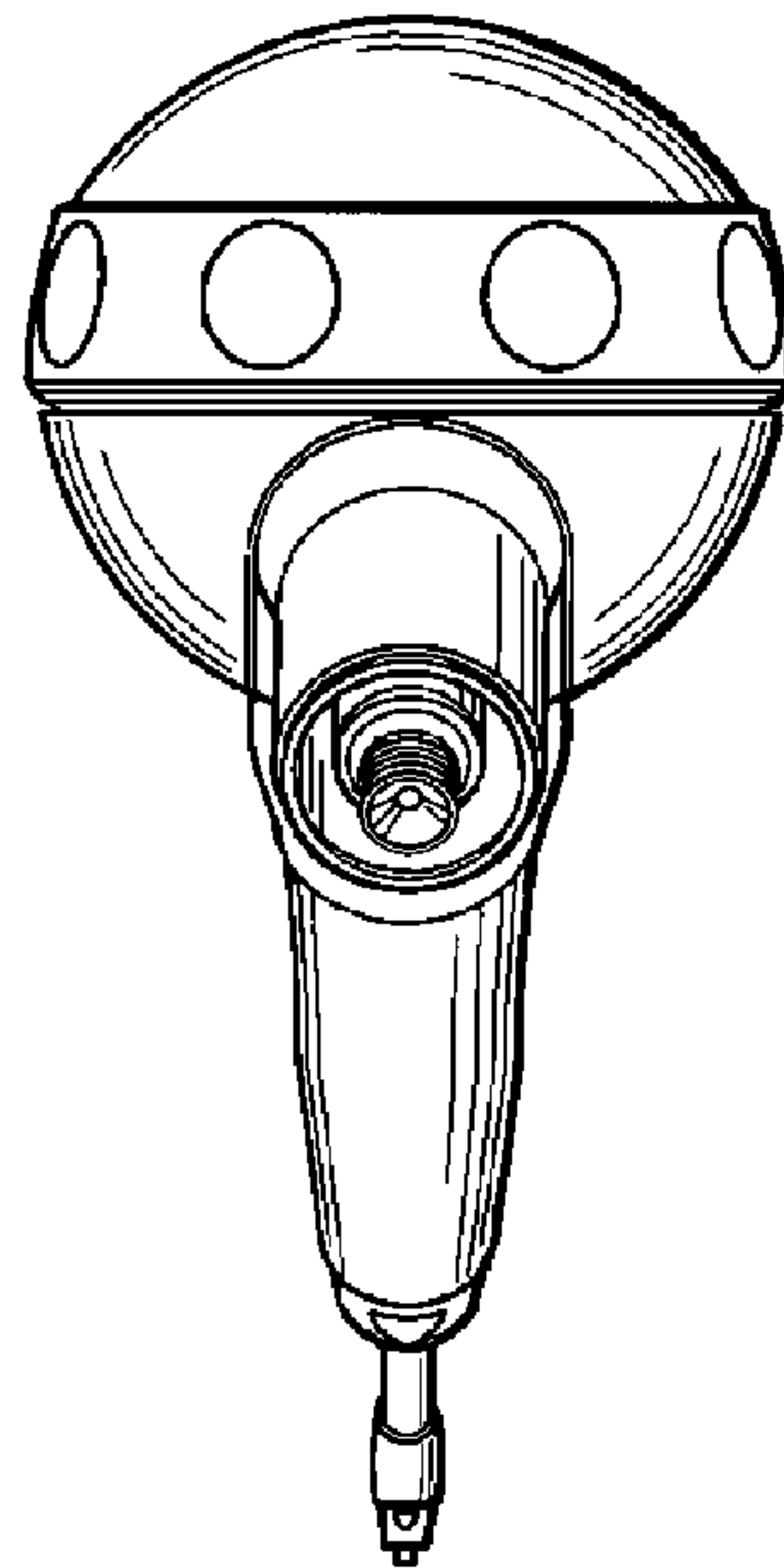


FIG. 3

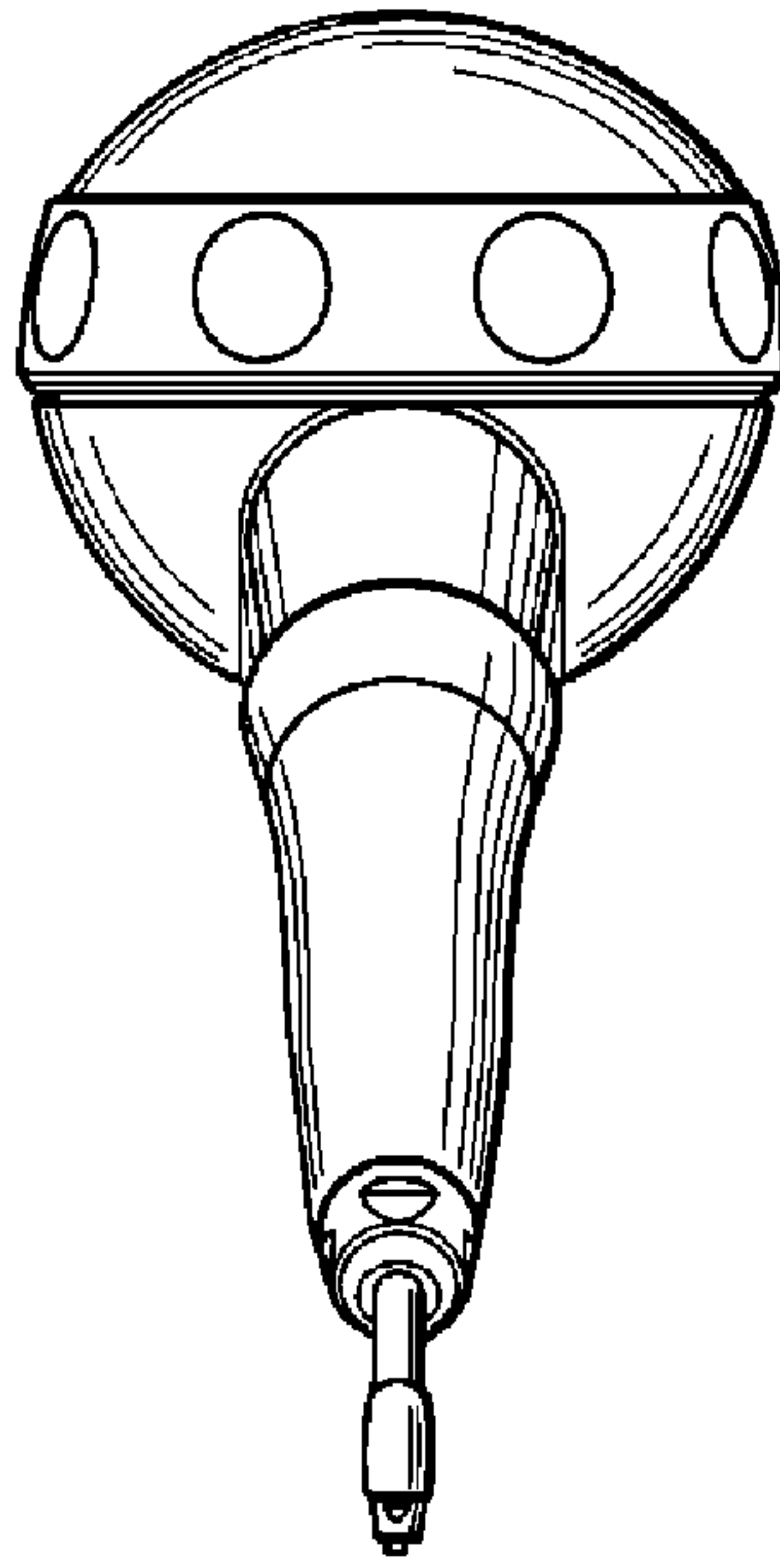


FIG. 4

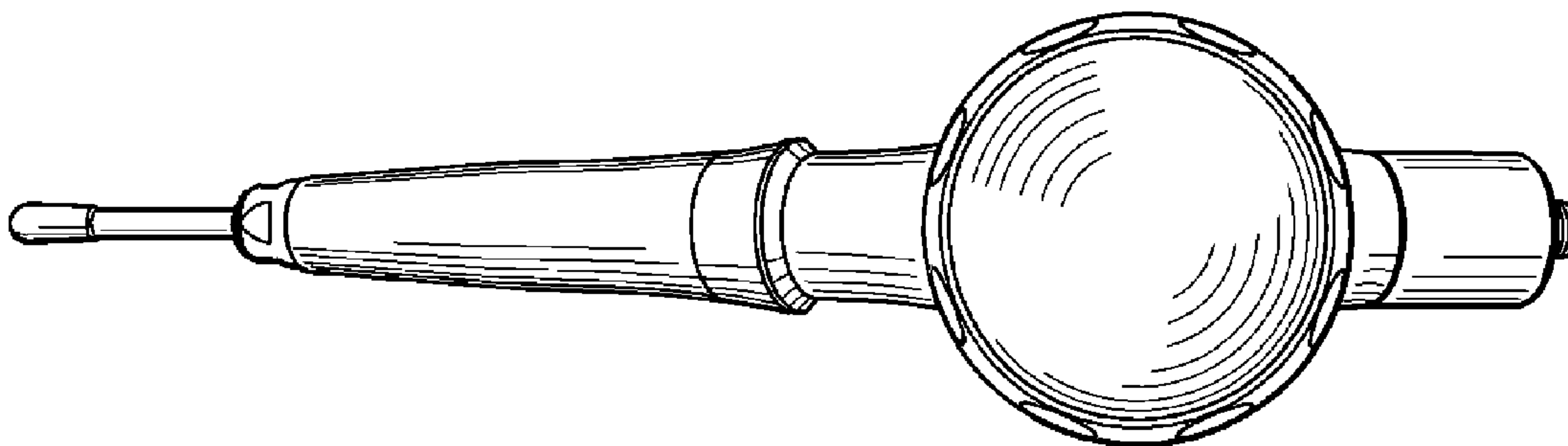


FIG. 5

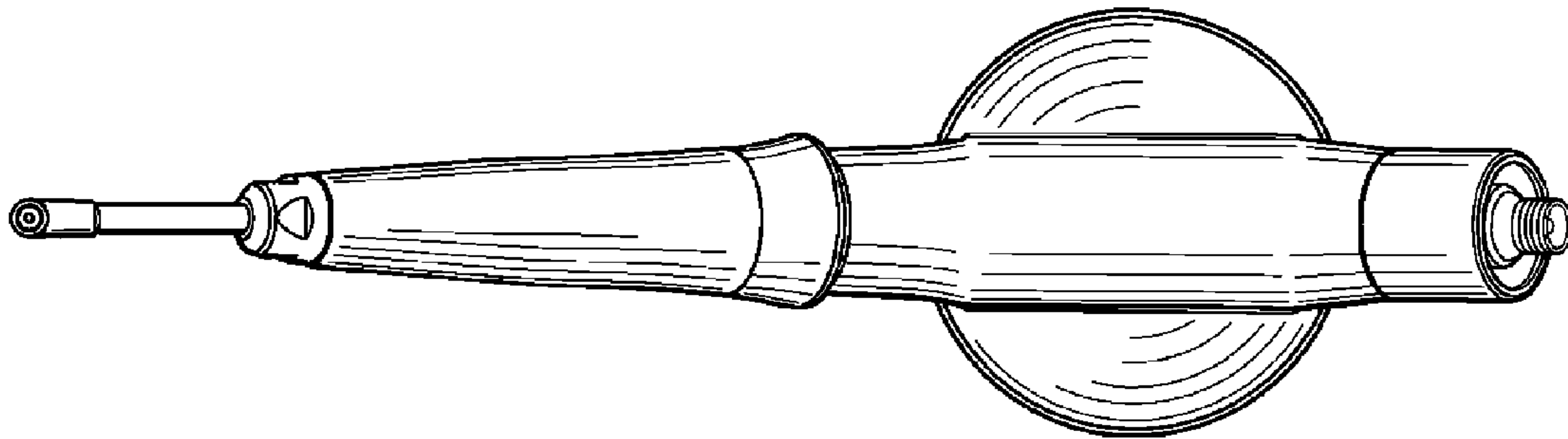


FIG. 6

