



US00D583051S

(12) **United States Design Patent**
Lee et al.

(10) **Patent No.:** **US D583,051 S**

(45) **Date of Patent:** **** Dec. 16, 2008**

(54) **MEDICAL INSTRUMENT**

2008/0046000 A1* 2/2008 Lee et al. 606/205
2008/0065116 A1* 3/2008 Lee et al. 606/142

(75) Inventors: **Woojin Lee**, Hopkinton, MA (US);
Andres Chamorro, Natick, MA (US)

* cited by examiner

(73) Assignee: **Cambridge Endoscopic Devices, Inc.**,
Framingham, MA (US)

Primary Examiner—Ian Simmons

Assistant Examiner—Christopher Lee

(74) *Attorney, Agent, or Firm*—David M. Driscoll, Esq.

(**) Term: **14 Years**

(57) **CLAIM**

(21) Appl. No.: **29/301,351**

The ornamental design for a medical instrument, as shown and described.

(22) Filed: **Feb. 25, 2008**

(51) **LOC (8) Cl.** **24-02**

(52) **U.S. Cl.** **D24/133; D24/146; D24/147**

(58) **Field of Classification Search** D24/133,
D24/143, 144, 145, 146, 147, 148; 600/42,
600/48, 51, 204, 206, 207, 208, 142
See application file for complete search history.

DESCRIPTION

FIG. 1 is a perspective view of a medical instrument showing our new design;

FIG. 2 is a right side elevational view thereof;

FIG. 3 is a top plan view thereof;

FIG. 4 is a left side elevational view thereof;

FIG. 5 is a bottom plan view thereof;

FIG. 6 is a front elevational view thereof; and,

FIG. 7 is a rear elevational view thereof.

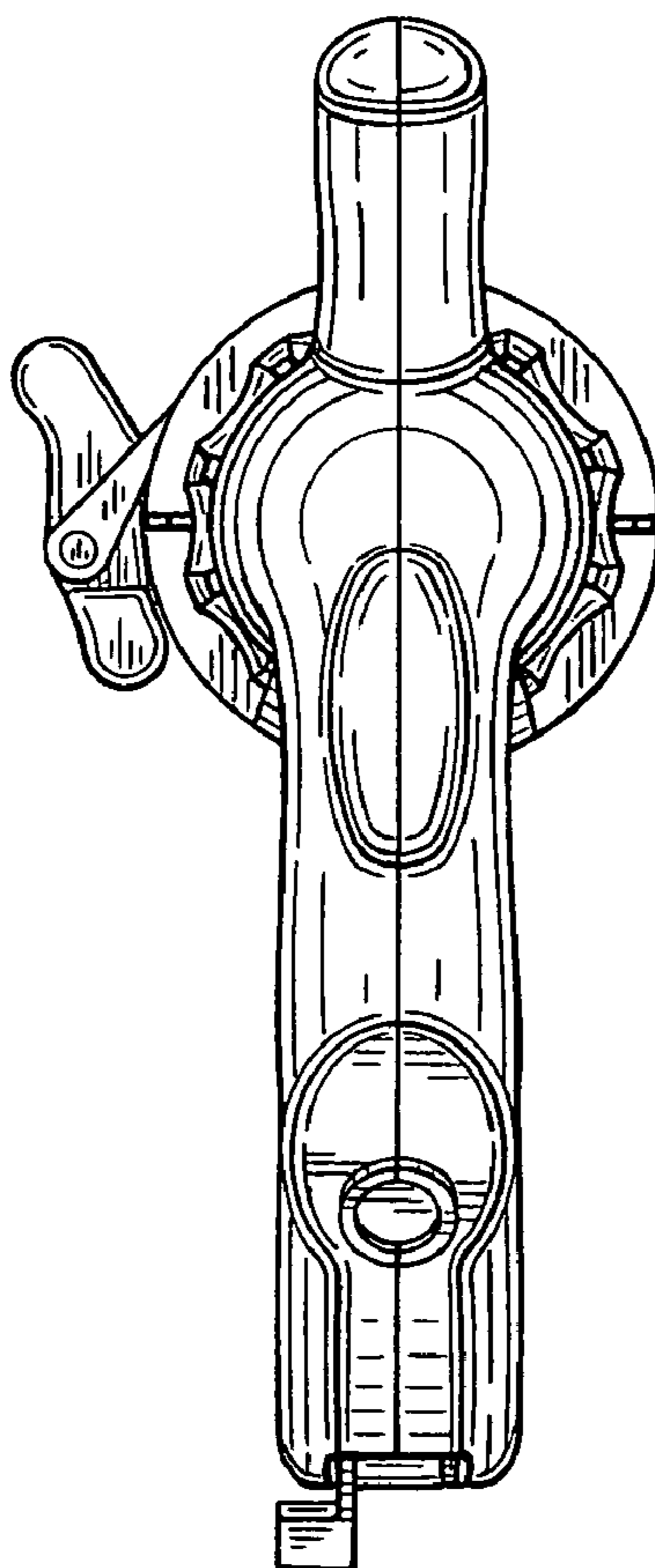
The portions shown in broken lines are included for illustrative purposes only and form no part of the claimed design.

(56) **References Cited**

U.S. PATENT DOCUMENTS

D465,281 S *	11/2002	Lang	D24/147
D497,427 S *	10/2004	Hickingbotham	D24/133
D573,252 S *	7/2008	Peretti et al.	D24/113
2006/0095074 A1 *	5/2006	Lee et al.	606/205
2008/0015631 A1 *	1/2008	Lee et al.	606/205

1 Claim, 4 Drawing Sheets



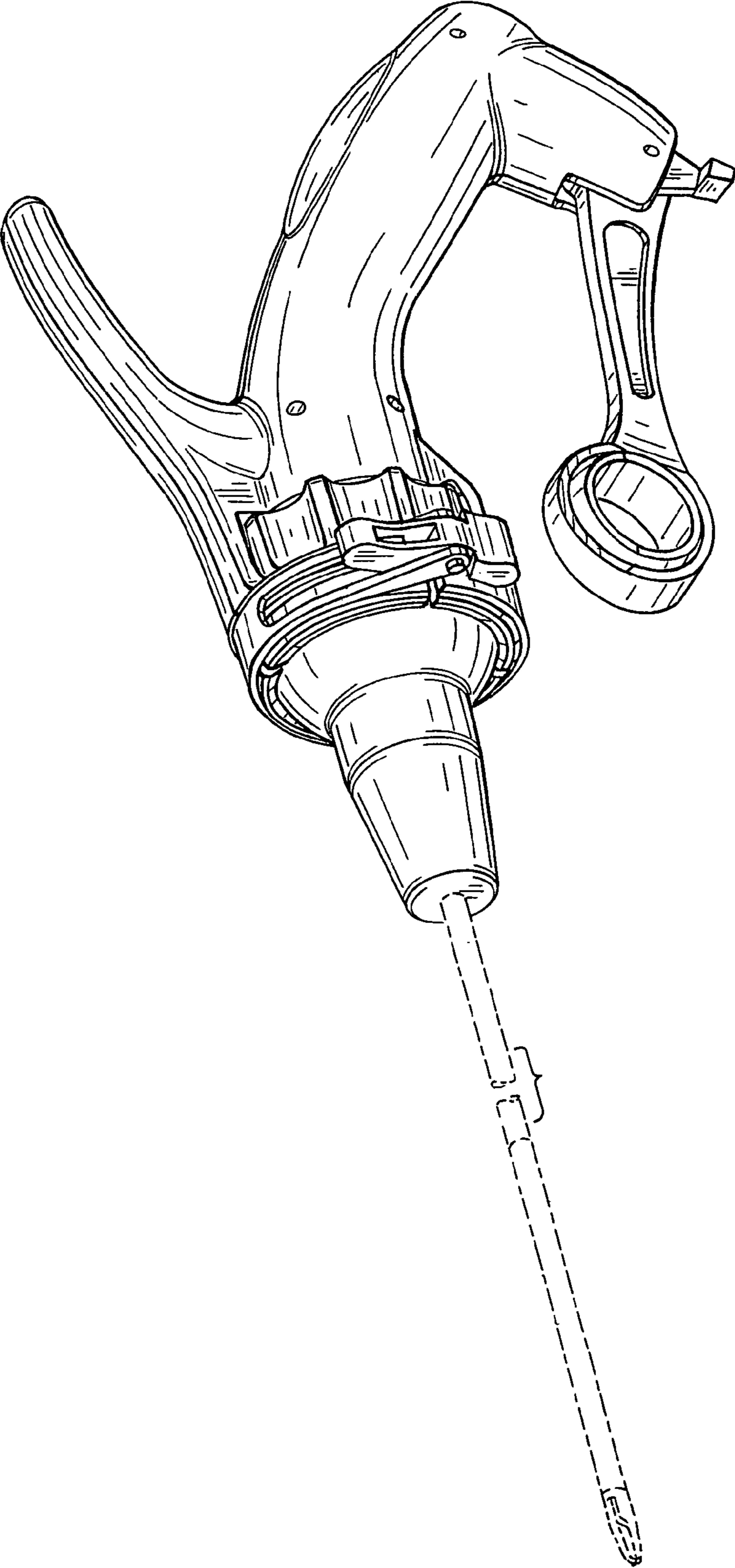


Fig. 1

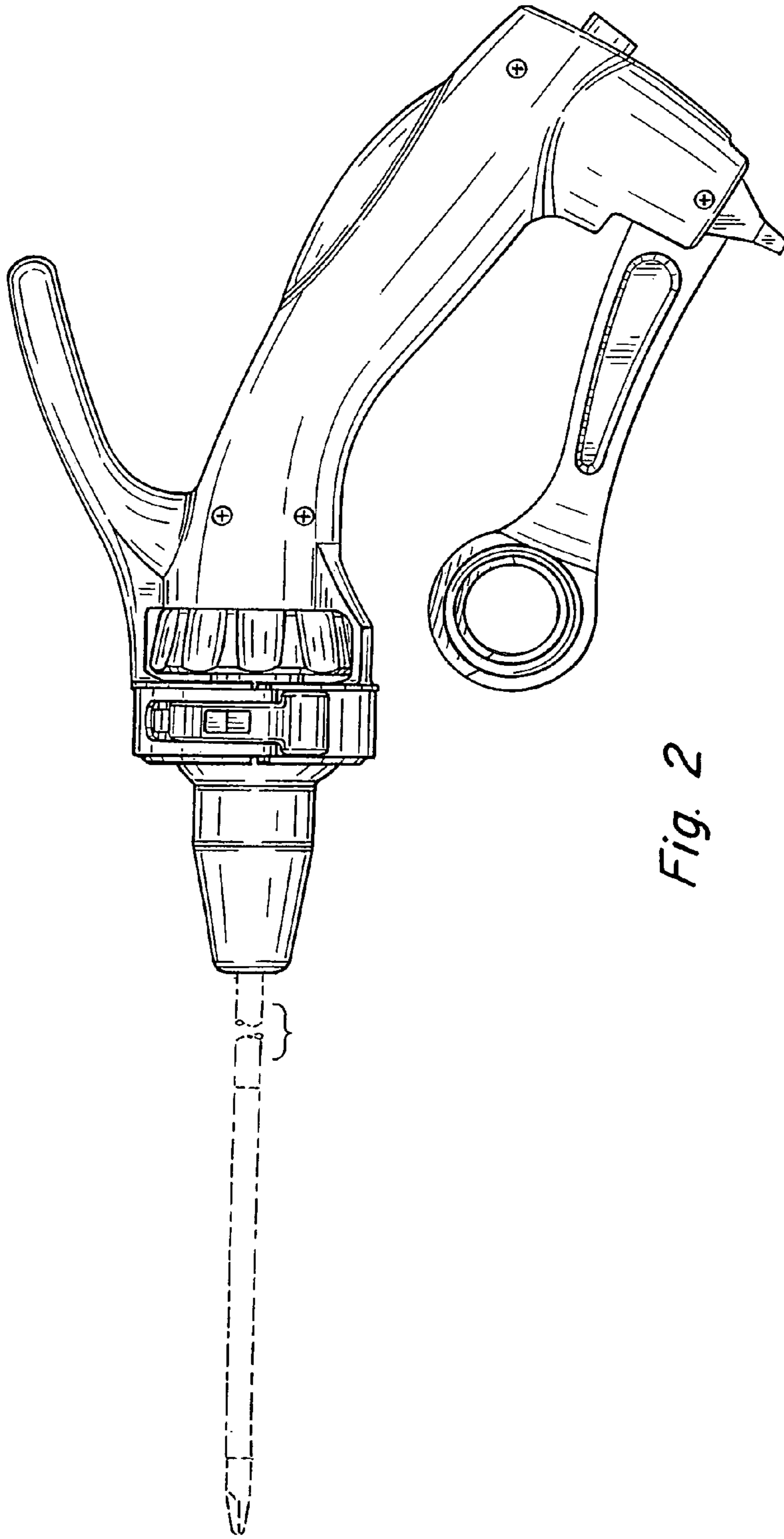


Fig. 2

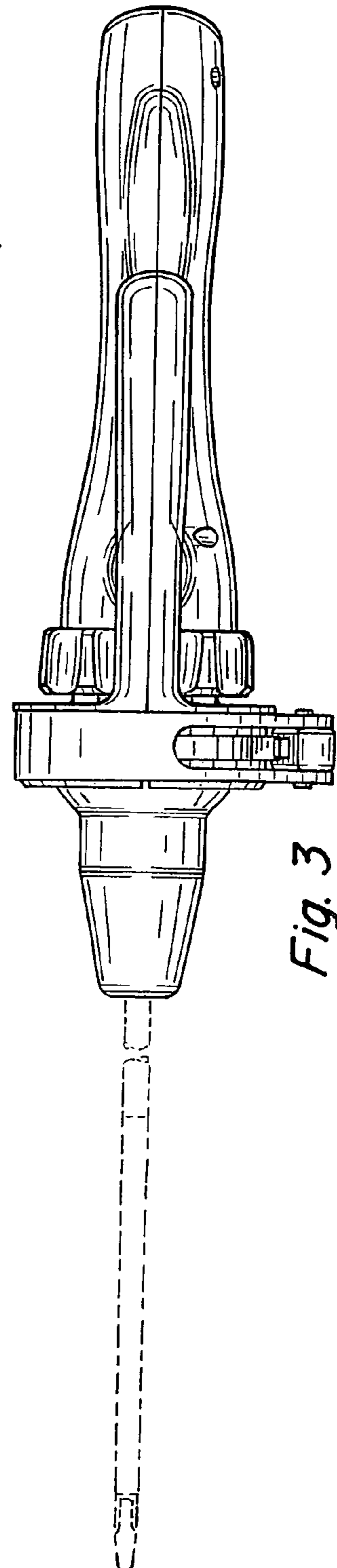


Fig. 3

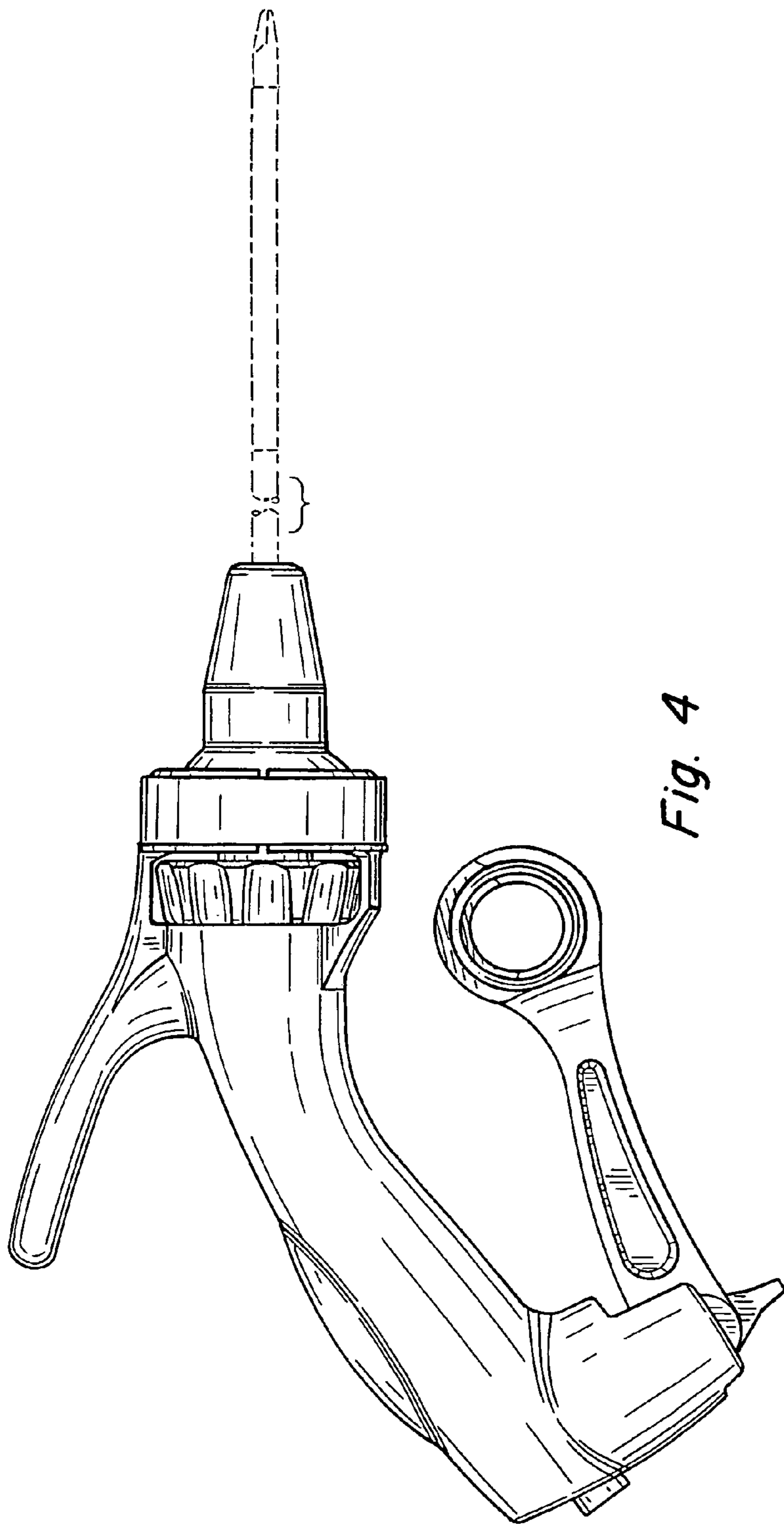


Fig. 4

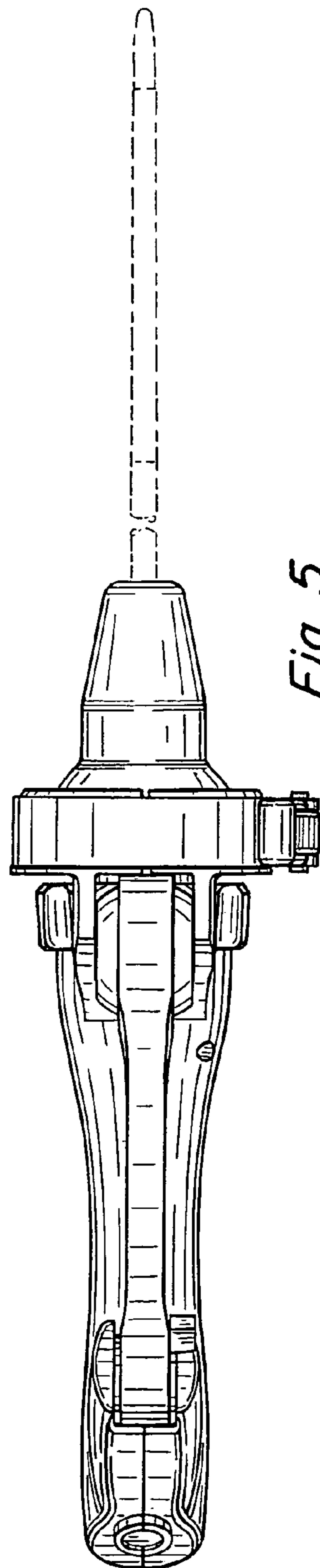


Fig. 5

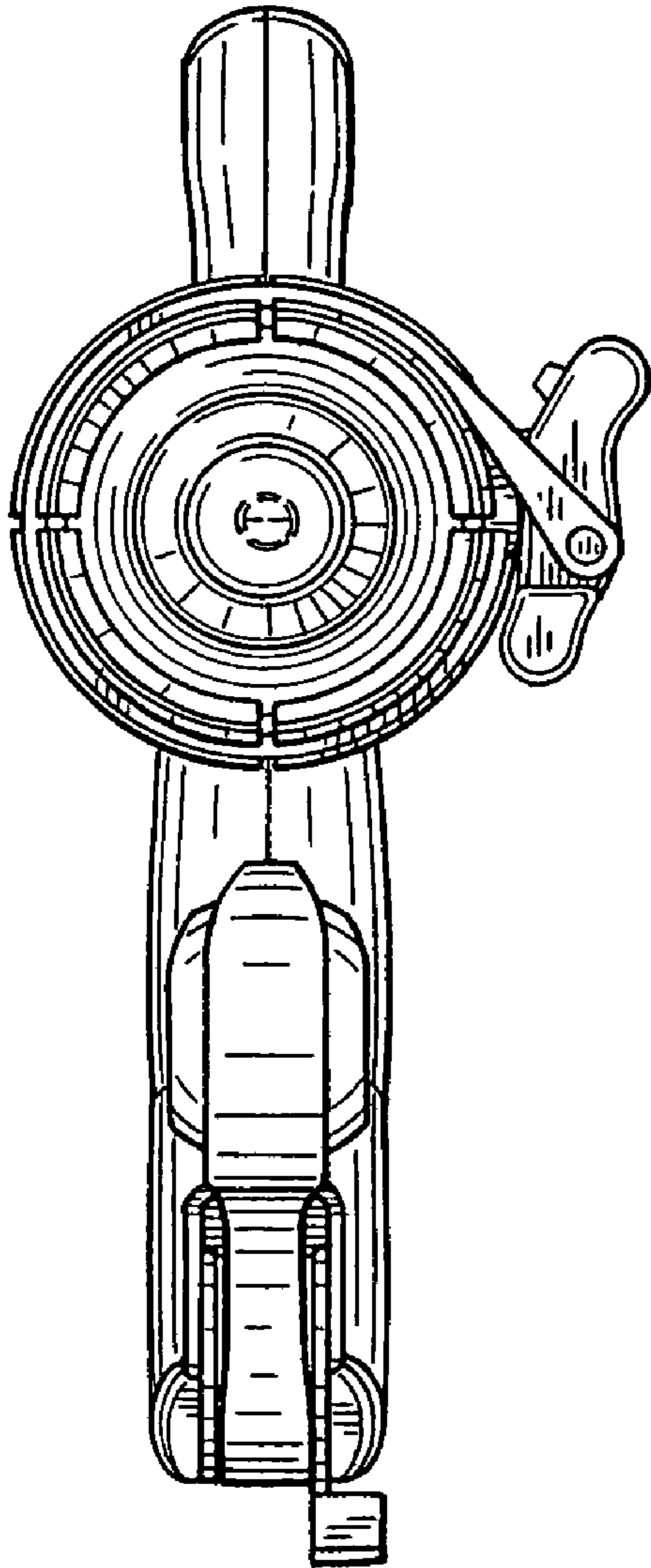


Fig. 6

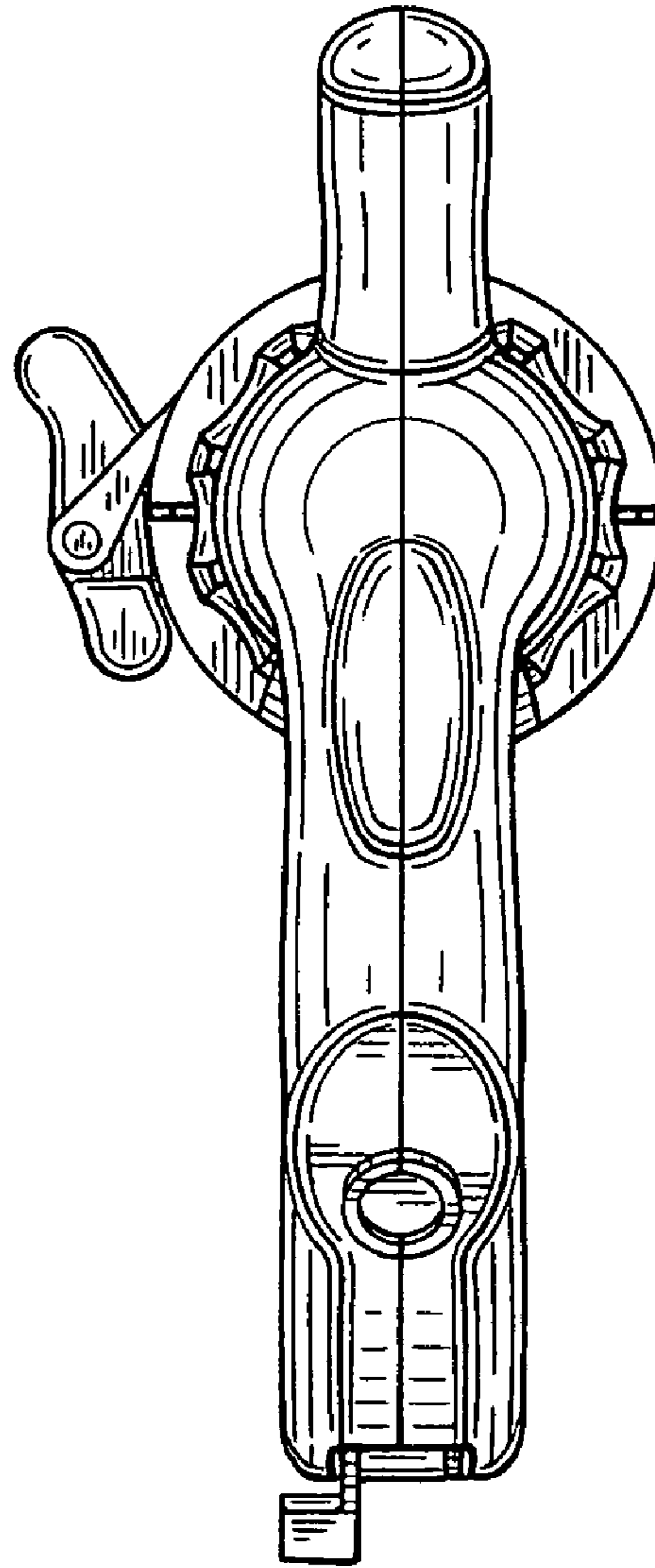


Fig. 7