

US00D583049S

(12) **United States Design Patent**  
**Chandran et al.**

(10) **Patent No.:** **US D583,049 S**  
(45) **Date of Patent:** **\*\* Dec. 16, 2008**

- (54) **VENTILATION INTERFACE**
- (75) Inventors: **Sanjay Chandran**, Boca Raton, FL  
(US); **Shara Hernandez**, Davie, FL  
(US); **Louis Javier Collazo**, Atlanta, GA  
(US)
- (73) Assignee: **RespCare, Inc.**, Coconut Creek, FL  
(US)

4,273,124 A 6/1981 Zimmerman  
 4,312,359 A 1/1982 Olson  
 4,367,735 A 1/1983 Dali  
 4,367,816 A 1/1983 Wilkes  
 4,406,283 A 9/1983 Bir  
 4,422,456 A 12/1983 Teip  
 4,493,614 A 1/1985 Chu et al.  
 4,549,542 A 10/1985 Chien

(Continued)

(\*\*) Term: **14 Years**

**FOREIGN PATENT DOCUMENTS**

(21) Appl. No.: **29/287,994**

DE 146688 A 2/1981

(Continued)

(22) Filed: **Oct. 10, 2007**

**OTHER PUBLICATIONS**

**Related U.S. Application Data**

Respiroics Co.—Mask Family—<http://maskfamily.respiroics.com/>, viewed on Feb. 19, 2008.

- (63) Continuation of application No. 29/274,248, filed on Apr. 9, 2007, now Pat. No. Des. 564,089, which is a continuation of application No. 29/245,378, filed on Dec. 23, 2005, now Pat. No. Des. 550,836.

(Continued)

(51) **LOC (8) Cl.** ..... **29-02**

*Primary Examiner*—Ian Simmons  
*Assistant Examiner*—Christopher Lee

(52) **U.S. Cl.** ..... **D24/110.1; D24/110.4**

(74) *Attorney, Agent, or Firm*—Maier and Maier, PLLC

(58) **Field of Classification Search** ..... D24/110,  
D24/110.1, 110.4, 110.5, 164; 128/206.11,  
128/206.21, 206.27, 206.28, 207.11, 207.13,  
128/207.17

(57) **CLAIM**

See application file for complete search history.

The ornamental design for a ventilation interface, as shown and described.

(56) **References Cited**

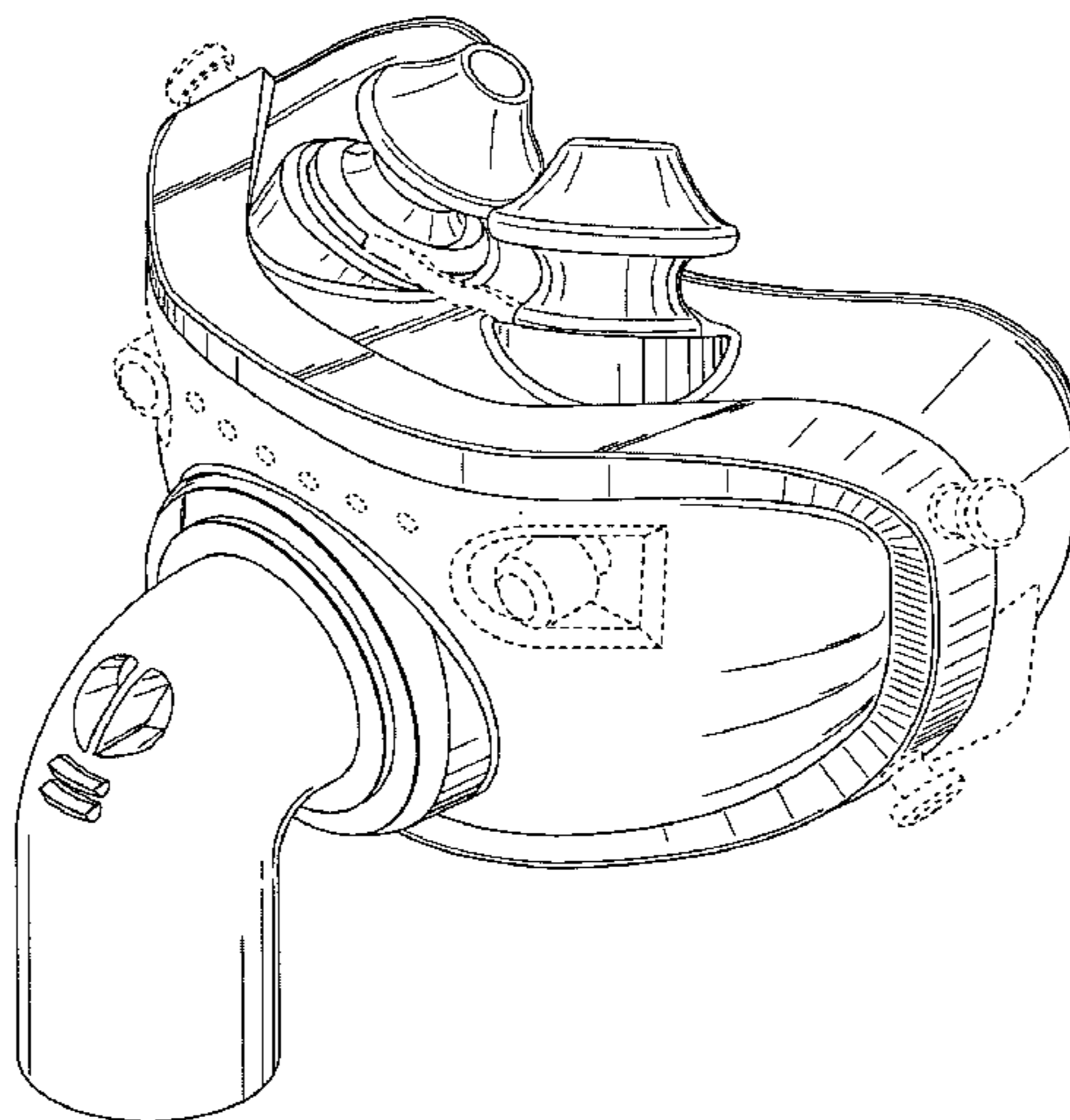
**DESCRIPTION**

**U.S. PATENT DOCUMENTS**

1,125,542 A 1/1915 Humphries  
 3,670,726 A 6/1972 Mahon et al.  
 3,739,774 A 6/1973 Gregory  
 3,754,552 A 8/1973 King  
 3,861,385 A 1/1975 Carden  
 3,902,486 A 9/1975 Guichard  
 3,905,361 A 9/1975 Hewson et al.  
 4,156,426 A 5/1979 Gold  
 4,248,218 A 2/1981 Fischer  
 4,267,845 A 5/1981 Robertson, Jr. et al.

FIG. 1 is a top and right front perspective view of a ventilation interface, showing our design;  
 FIG. 2 is a right side view thereof;  
 FIG. 3 is a left side view thereof;  
 FIG. 4 is a front view thereof;  
 FIG. 5 is a rear view thereof;  
 FIG. 6 is a top view thereof; and,  
 FIG. 7 is a bottom view thereof.

**1 Claim, 4 Drawing Sheets**



U.S. PATENT DOCUMENTS

4,587,967 A 5/1986 Chu et al.  
 4,601,465 A 7/1986 Roy  
 4,617,637 A 10/1986 Chu et al.  
 4,660,555 A 4/1987 Payton  
 4,699,139 A 10/1987 Marshall et al.  
 4,706,664 A 11/1987 Snook et al.  
 4,753,233 A 6/1988 Grimes  
 4,774,946 A 10/1988 Ackerman et al.  
 4,782,832 A 11/1988 Trimble et al.  
 4,899,740 A 2/1990 Napolitano  
 4,915,105 A 4/1990 Lee  
 4,996,983 A 3/1991 AmRhein  
 5,000,173 A 3/1991 Zalkin et al.  
 5,022,900 A 6/1991 Bar-Yona et al.  
 5,025,805 A 6/1991 Nutter  
 5,038,772 A 8/1991 Kolbe et al.  
 5,046,491 A 9/1991 Derrick  
 5,074,297 A 12/1991 Venegas  
 5,113,857 A 5/1992 Dickerman et al.  
 5,121,745 A 6/1992 Israel  
 5,127,397 A 7/1992 Kohnke  
 5,137,017 A 8/1992 Salter  
 D333,015 S 2/1993 Farmer et al.  
 5,188,101 A 2/1993 Tumolo  
 5,265,592 A 11/1993 Beaussant  
 5,265,595 A 11/1993 Rudolph  
 5,269,296 A 12/1993 Landis  
 5,271,391 A 12/1993 Graves  
 5,299,599 A 4/1994 Farmer et al.  
 5,335,656 A 8/1994 Bowe et al.  
 5,355,893 A 10/1994 Mick et al.  
 5,372,130 A 12/1994 Stern et al.  
 5,375,593 A 12/1994 Press  
 5,385,141 A 1/1995 Granatiero  
 5,394,568 A 3/1995 Brostrom et al.  
 5,396,885 A 3/1995 Nelson  
 5,398,676 A 3/1995 Press et al.  
 5,400,776 A 3/1995 Bartholomew  
 5,437,267 A 8/1995 Weinstein et al.  
 5,509,409 A 4/1996 Weatherholt  
 5,526,806 A 6/1996 Sansoni  
 5,533,506 A 7/1996 Wood  
 5,560,354 A 10/1996 Berthon-Jones et al.  
 5,682,881 A 11/1997 Winthrop et al.  
 5,740,799 A 4/1998 Nielson  
 5,794,619 A 8/1998 Edelman et al.  
 5,906,203 A 5/1999 Klockseth et al.  
 5,954,049 A 9/1999 Foley et al.  
 6,123,071 A 9/2000 Berthon-Jones et al.  
 6,357,441 B1 3/2002 Kwok et al.  
 6,431,172 B1 8/2002 Bordewick  
 6,439,234 B1 8/2002 Curti et al.

6,478,026 B1 11/2002 Wood  
 6,561,188 B1 5/2003 Ellis  
 6,561,193 B1 5/2003 Noble  
 6,571,798 B1 6/2003 Thornton  
 6,581,601 B2 6/2003 Ziaee  
 6,581,602 B2 6/2003 Kwok et al.  
 6,595,214 B1 7/2003 Hecker et al.  
 6,595,215 B2 7/2003 Wood  
 6,637,434 B2 10/2003 Noble  
 6,655,385 B1 12/2003 Curtis et al.  
 D485,905 S 1/2004 Moore et al.  
 6,679,265 B2 1/2004 Strickland et al.  
 6,766,800 B2 7/2004 Chu et al.  
 2002/0046755 A1 4/2002 Devoss  
 2002/0053347 A1 5/2002 Ziaee  
 2002/0124849 A1 9/2002 Billette De Villemeur  
 2003/0079749 A1 5/2003 Strickland et al.  
 2003/0196658 A1 10/2003 Ging et al.  
 2004/0112384 A1 6/2004 Lithgow et al.  
 2005/0028822 A1 2/2005 Sleeper et al.  
 2005/0033247 A1 2/2005 Thompson  
 2005/0051176 A1 3/2005 Riggins  
 2005/0061326 A1 3/2005 Payne, Jr.  
 2006/0124131 A1\* 6/2006 Chandran et al. .... 128/206.28  
 2006/0137690 A1 6/2006 Gunaratnam et al.  
 2006/0174887 A1\* 8/2006 Chandran et al. .... 128/206.11  
 2006/0237017 A1 10/2006 Davidson et al.  
 2006/0266361 A1\* 11/2006 Hernandez ..... 128/206.11  
 2006/0283461 A1 12/2006 Lubke et al.  
 2007/0144525 A1 6/2007 Davidson et al.  
 2007/0272249 A1 11/2007 Chandran et al.  
 2008/0006277 A1 1/2008 Worboys et al.

FOREIGN PATENT DOCUMENTS

DE 3719009 A1 12/1988  
 DE 19944242 A1 3/2001  
 EP 0658356 A2 6/1995  
 GB 532214 A 1/1941  
 GB 2368533 A 5/2002  
 WO WO 01/97892 A1 12/2001  
 WO WO 2005/063328 A1 7/2005  
 WO WO 2008/040050 A1 4/2008

OTHER PUBLICATIONS

ResMed Co.—Mask Products—<http://www.resmed.com/en-us/products/products.html?menu=products>, viewed on Feb. 19, 2008.  
 Fisher and Paykel Co.—Product Family—<http://www.fphcare.com/osa/products.asp>, viewed on Feb. 19, 2008.  
 Hans Rudolph Inc.—Mask Products—<http://www.rudolphkc.com/products.php?category=MASKS>, viewed on Feb. 19, 2008.  
 Snapp Nasal Interface, Tiara Medical Systems, Inc. [http://www.cpap-prime.com/tiara\\_snapp.htm](http://www.cpap-prime.com/tiara_snapp.htm), viewed on Feb. 10, 2008.

\* cited by examiner

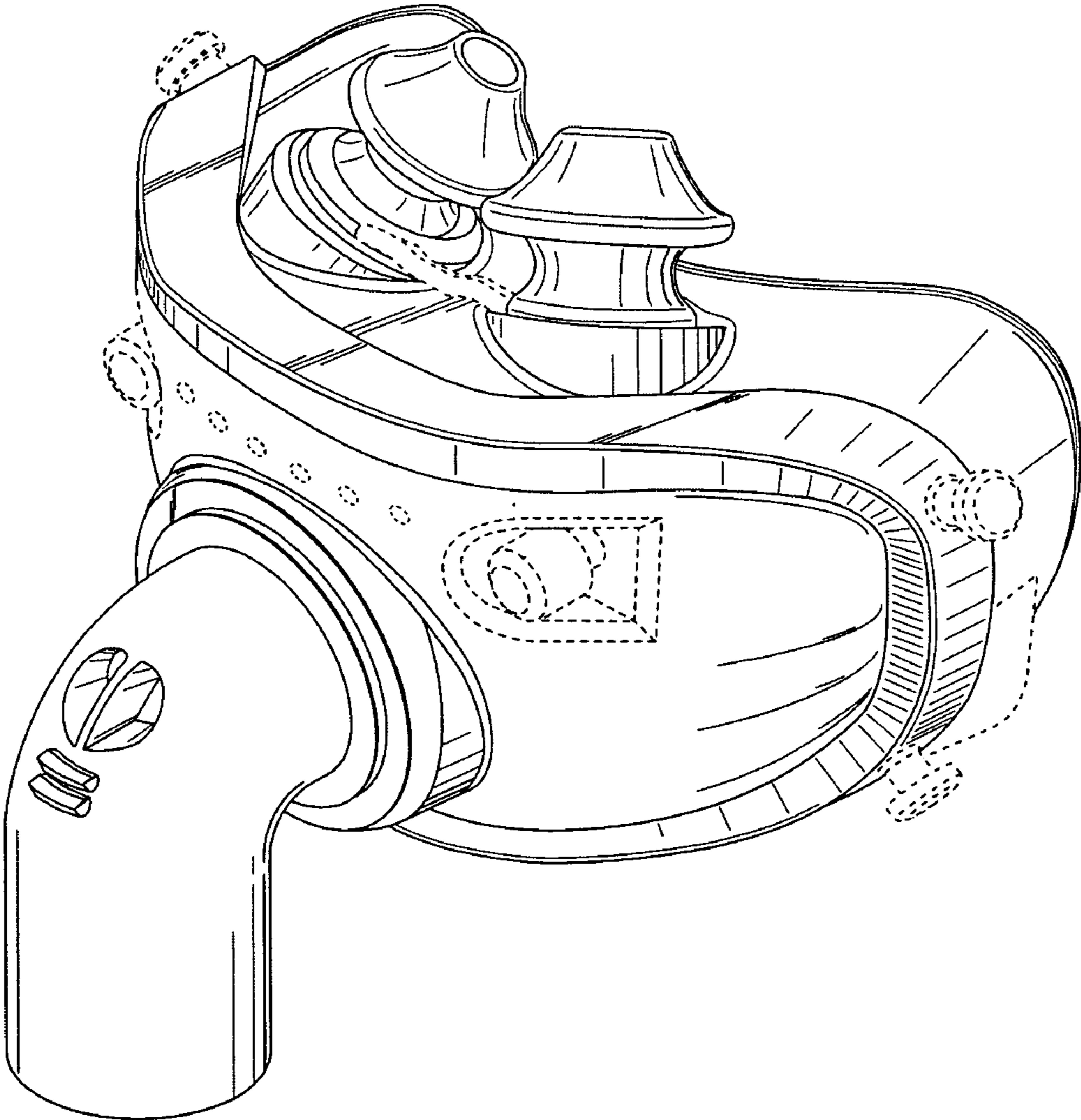


Fig. 1



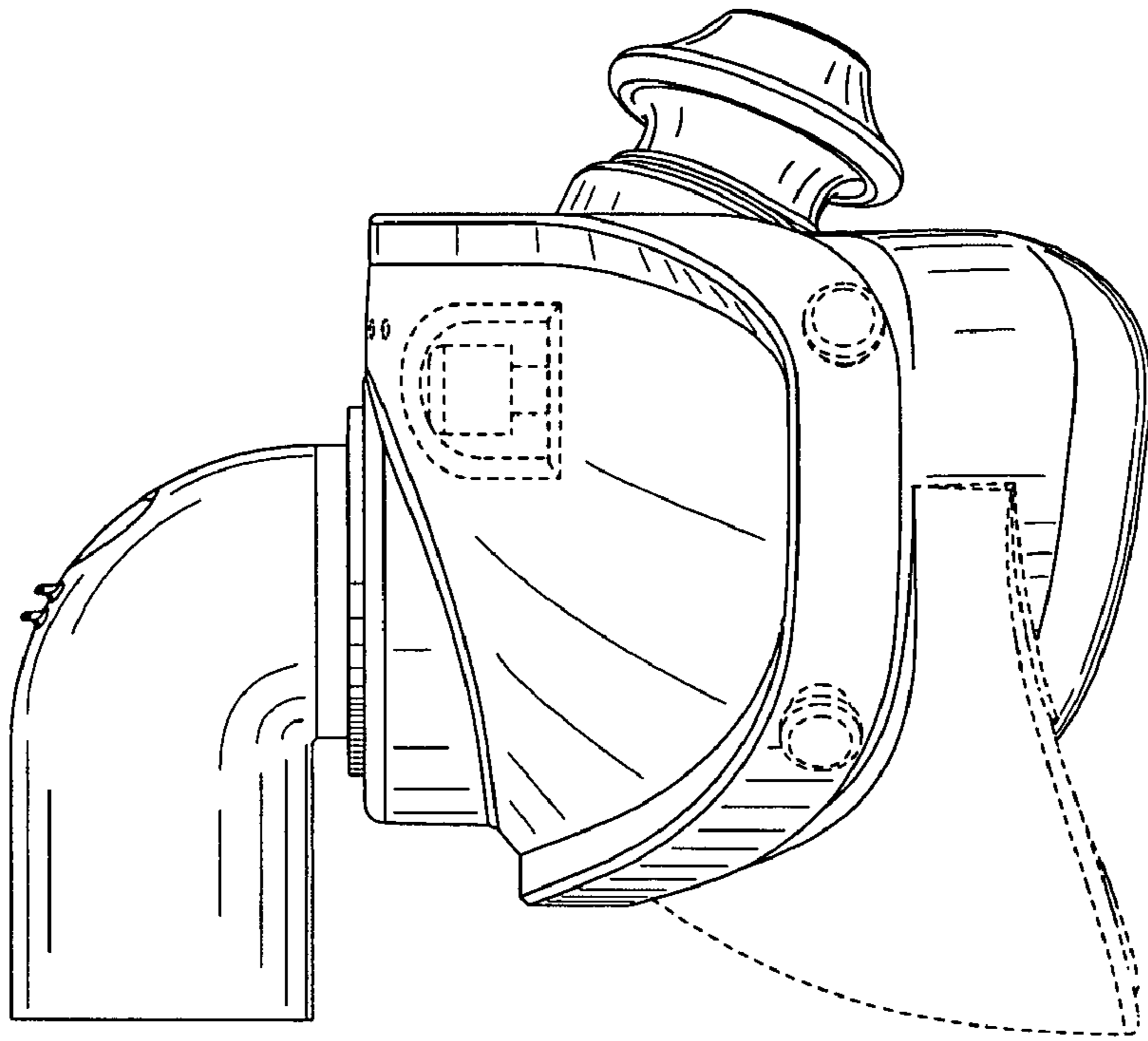


Fig. 2

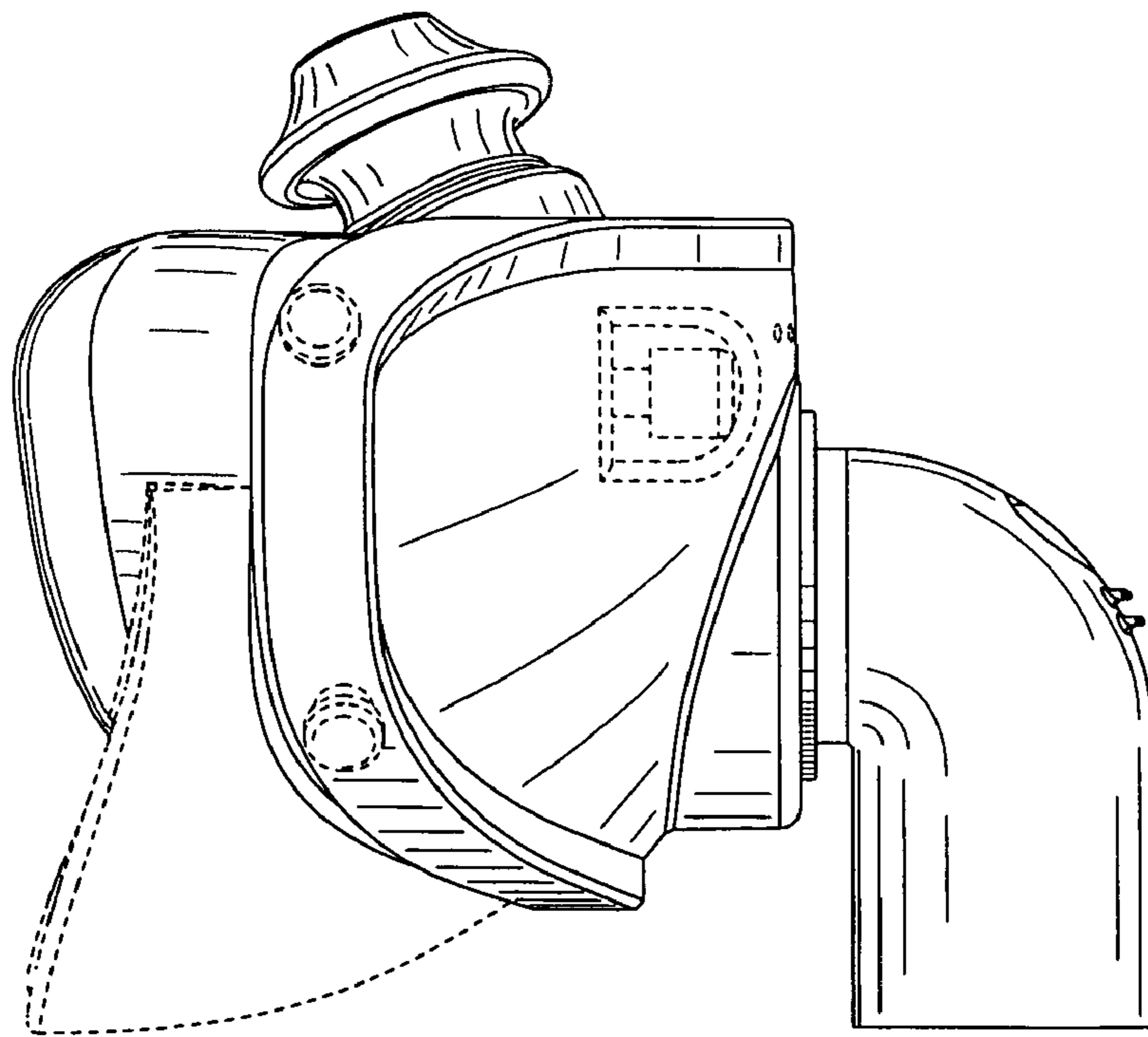


Fig. 3

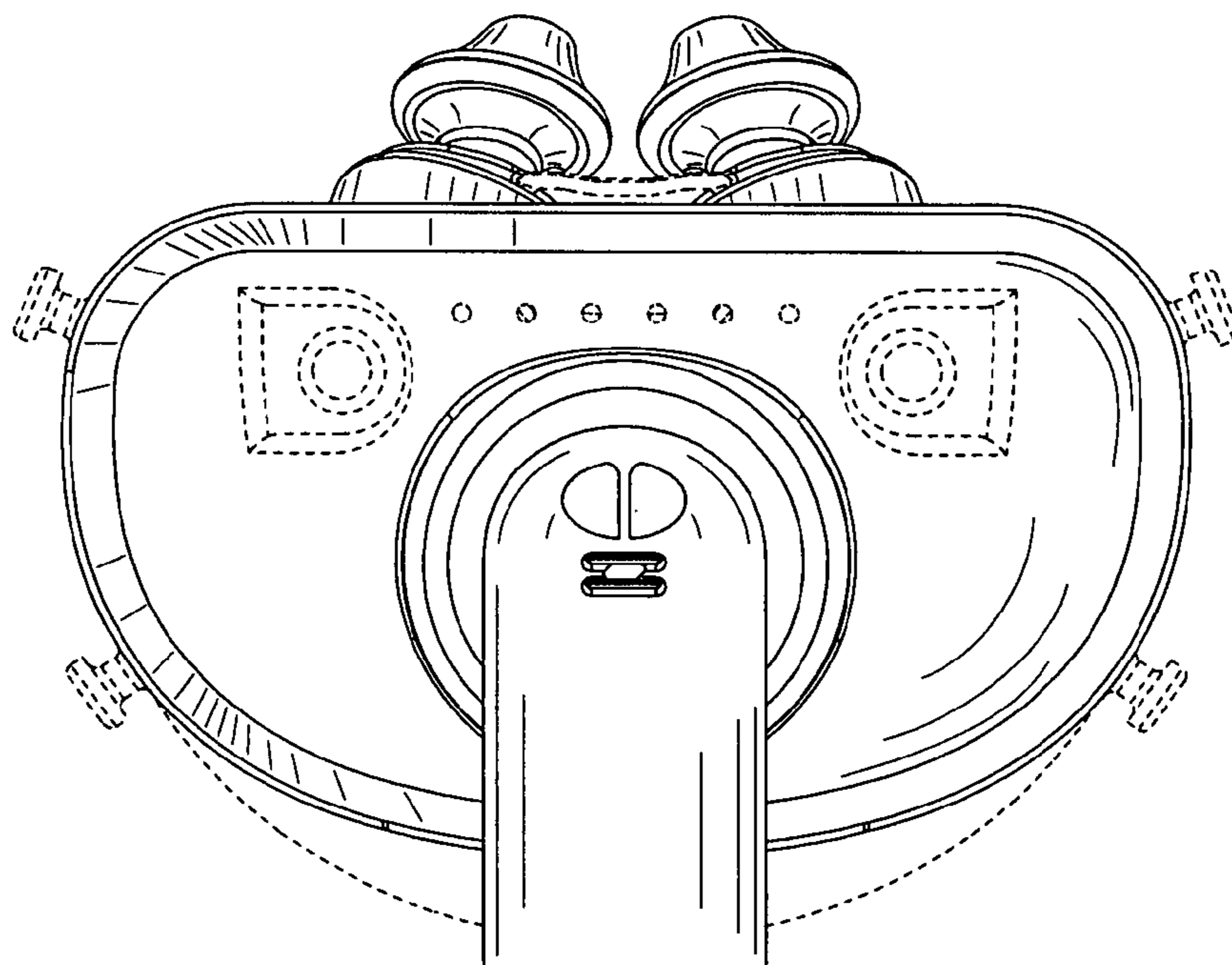


Fig. 4

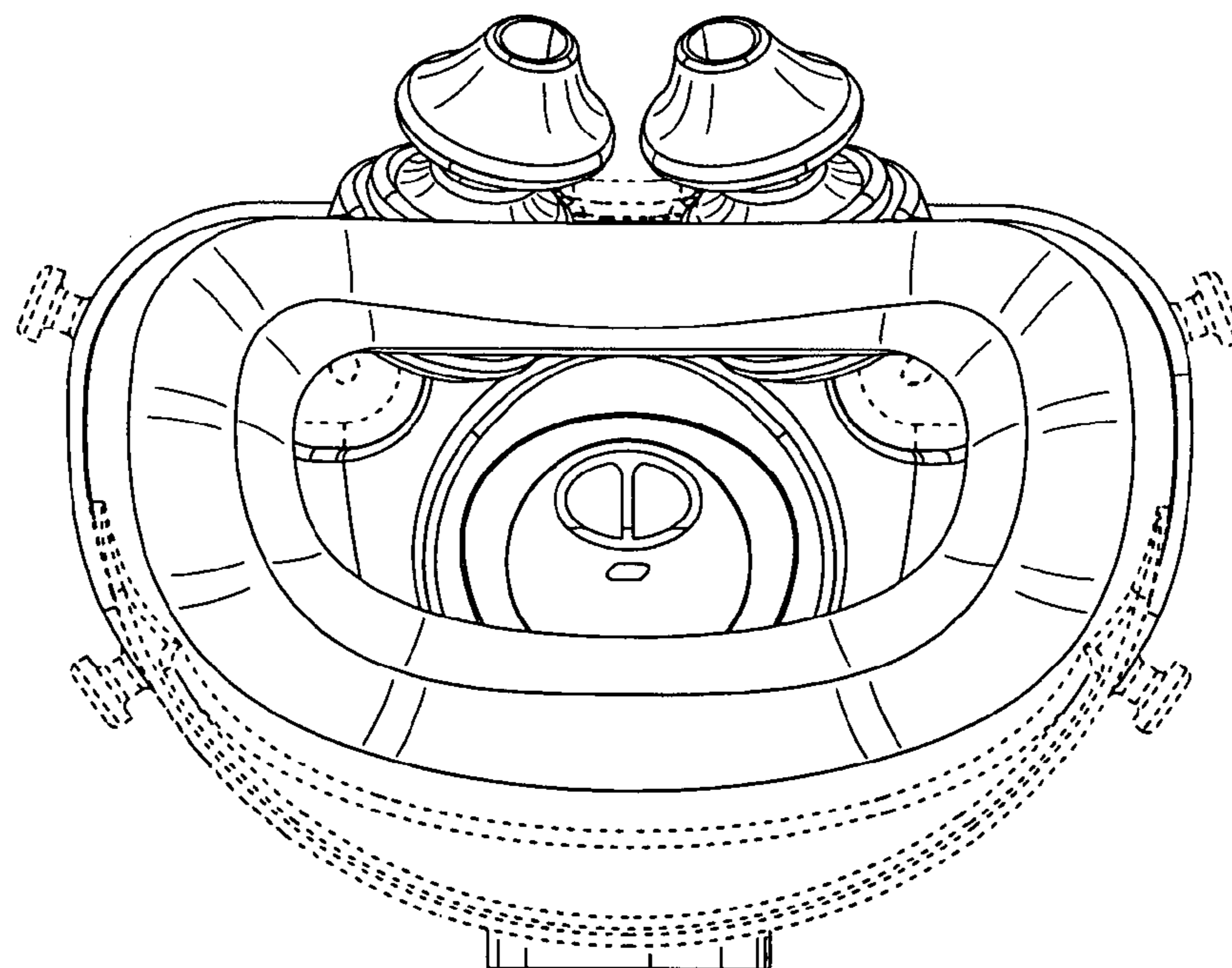


Fig. 5

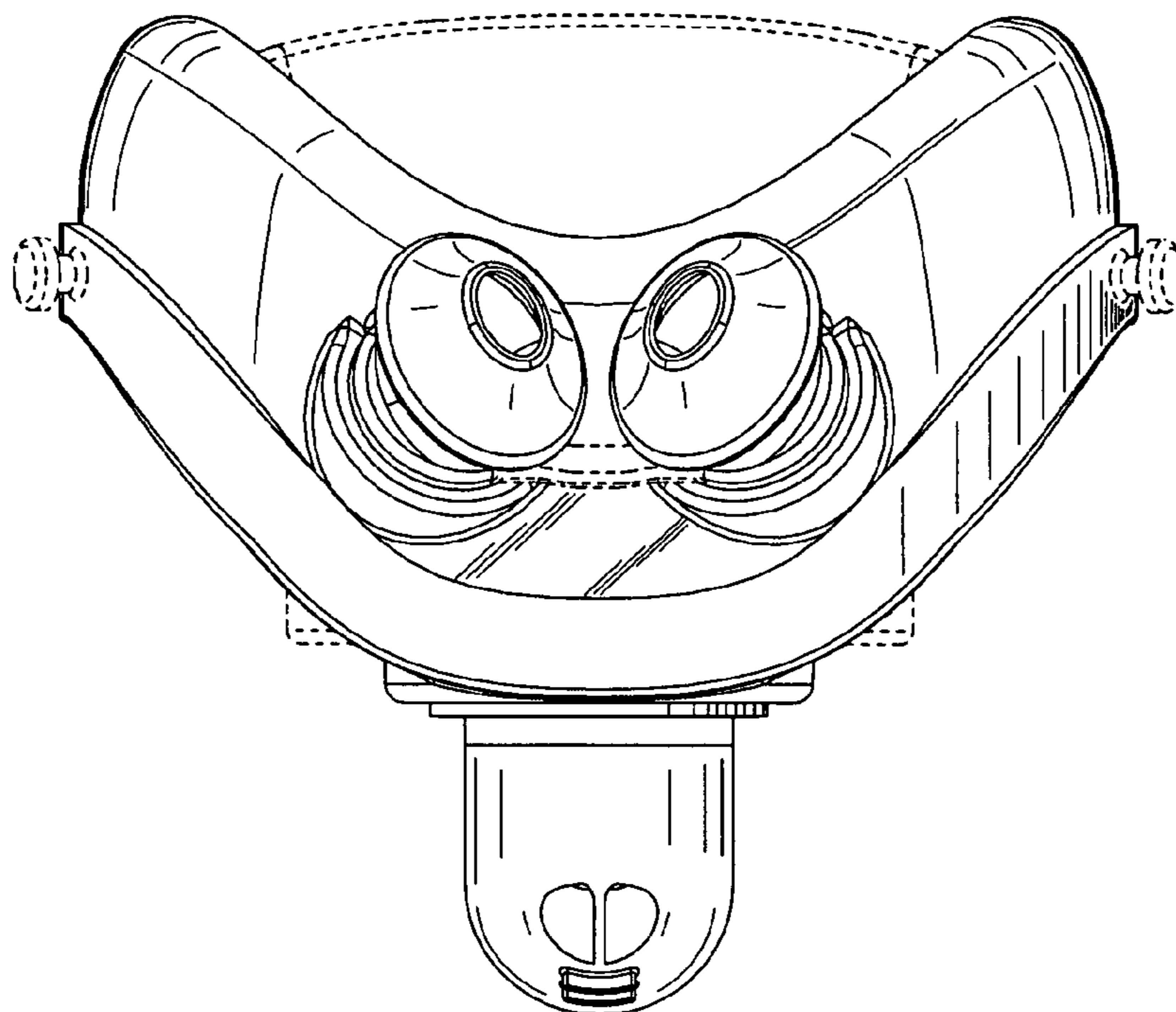


Fig. 6

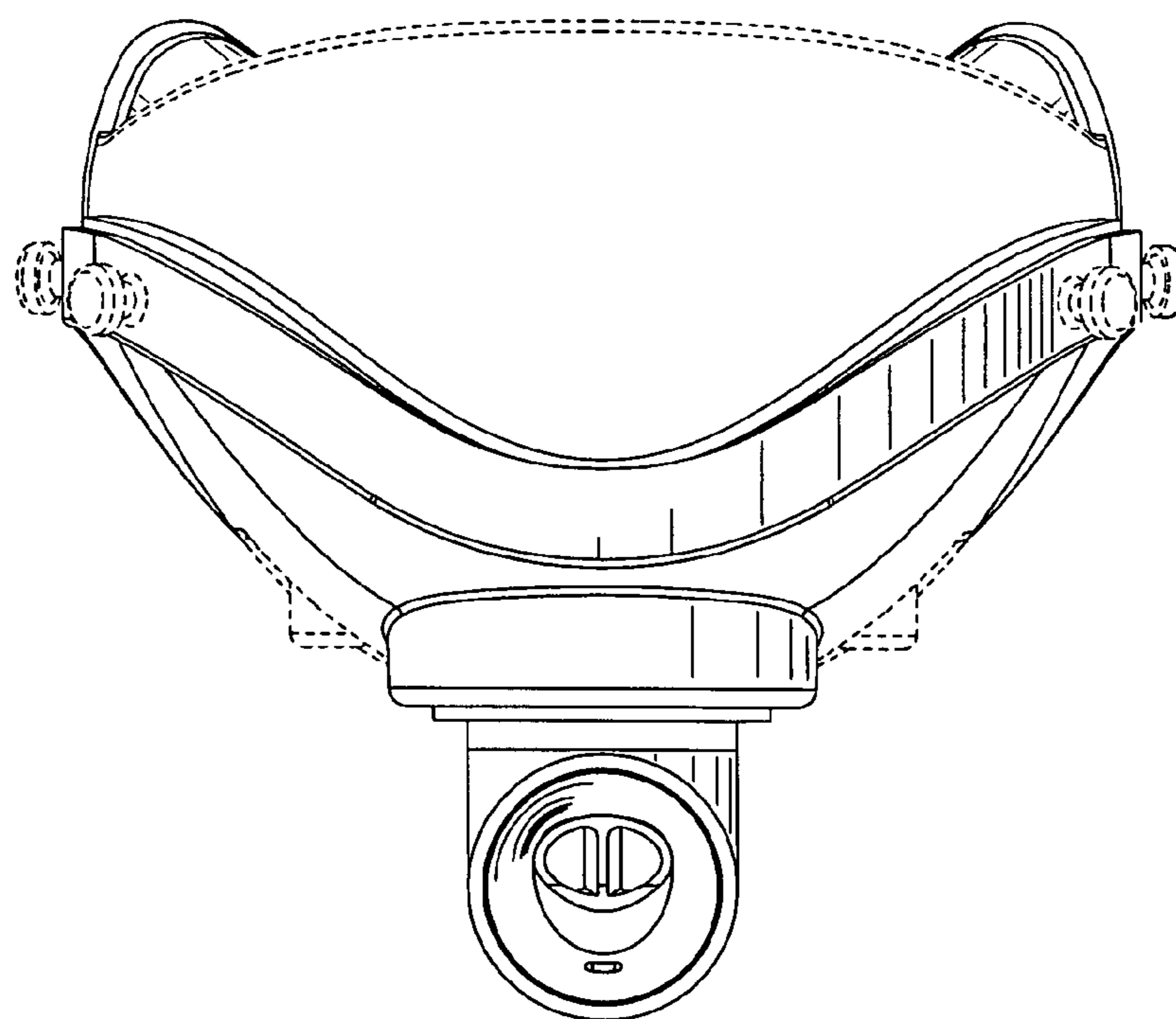


Fig. 7