



US00D583046S

(12) **United States Design Patent**
Ku et al.

(10) **Patent No.:** **US D583,046 S**
(45) **Date of Patent:** **** Dec. 16, 2008**

(54) **NEBULIZER**

(75) Inventors: **Ming-Te Ku**, Taipei (TW); **Hsin-Kun Ho**, Taipei (TW); **Mao-Lung Chen**, Taipei (TW); **Ming-Chieh Tsai**, Sinpu Township, Hsinchu County (TW); **Yu-Jen Wang**, Banciao (TW); **Yi-Cheng Chen**, Jhonghe (TW)

(73) Assignee: **Industrial Technology Research Institute**, Hsinchu (TW)

(**) Term: **14 Years**

(21) Appl. No.: **29/303,228**

(22) Filed: **Feb. 4, 2008**

(30) **Foreign Application Priority Data**

Aug. 3, 2007 (JP) 96304260

(51) **LOC (8) Cl.** **29-02**

(52) **U.S. Cl.** **D24/110**

(58) **Field of Classification Search** D24/110,
D24/164; D23/360; 128/200.14, 200.16,
128/200.21, 200.18

See application file for complete search history.

(56) **References Cited**

U.S. PATENT DOCUMENTS

D266,701 S * 10/1982 Marloth D24/110

D366,314 S * 1/1996 Kaizaki et al. D24/110
D417,271 S * 11/1999 Denyer et al. D24/110
D471,626 S * 3/2003 Terada et al. D24/110

* cited by examiner

Primary Examiner—Ian Simmons

Assistant Examiner—Christopher Lee

(74) *Attorney, Agent, or Firm*—Rabin & Berdo, P.C.

(57) **CLAIM**

The ornamental design for a nebulizer, as shown and described.

DESCRIPTION

FIG. 1 is a perspective view of a nebulizer showing our new design;

FIG. 2 is a front view thereof;

FIG. 3 is a rear view thereof;

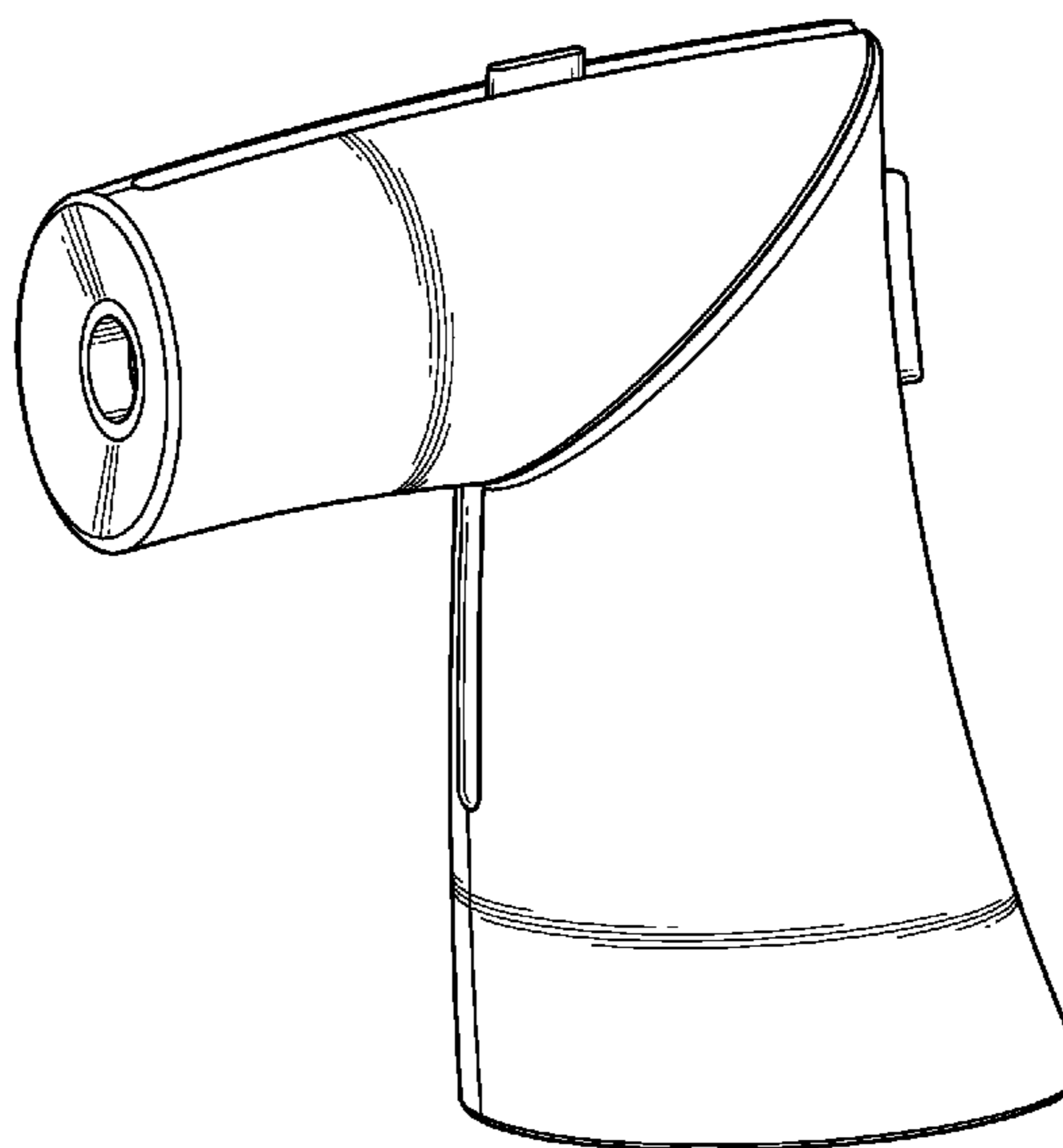
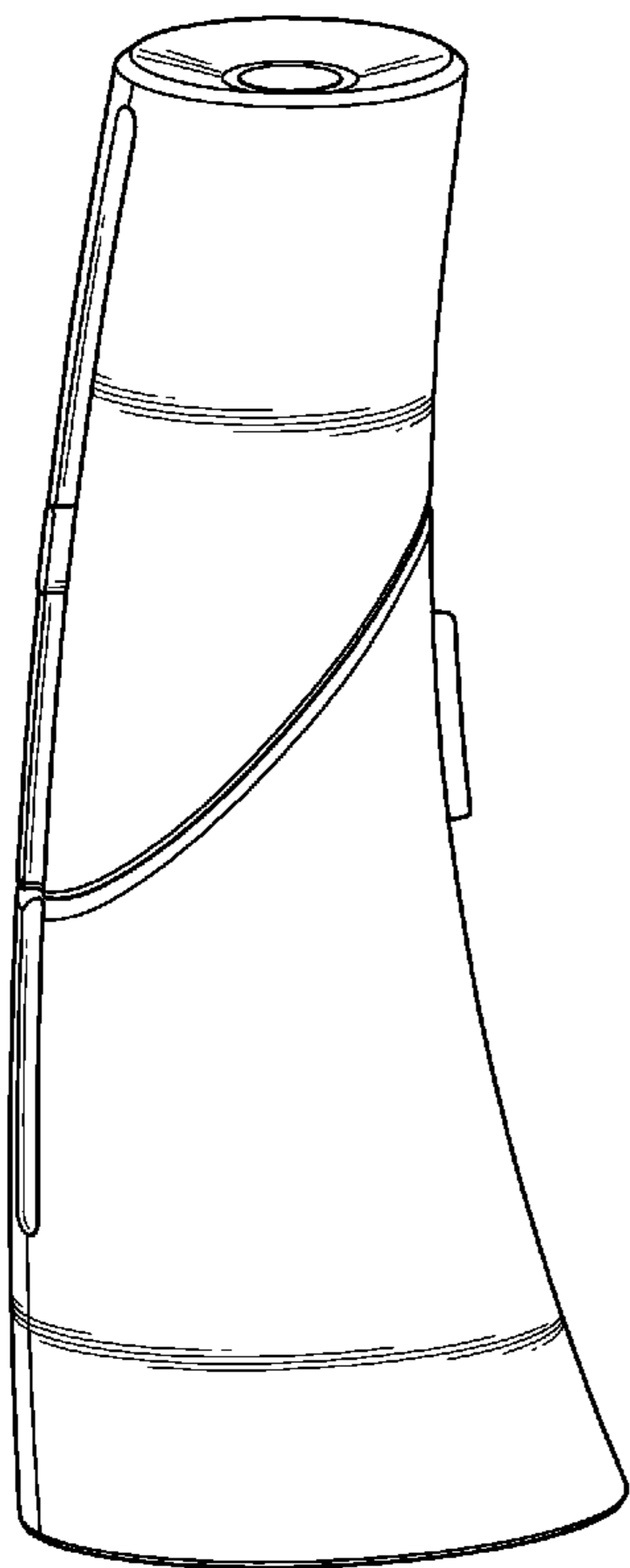
FIG. 4 is a left side elevational view thereof;

FIG. 5 is a top view thereof;

FIG. 6 is a bottom view thereof; and,

FIG. 7 is another perspective view of a nebulizer with upper portion being rotated 180 degrees relative to the lower portion.

1 Claim, 5 Drawing Sheets



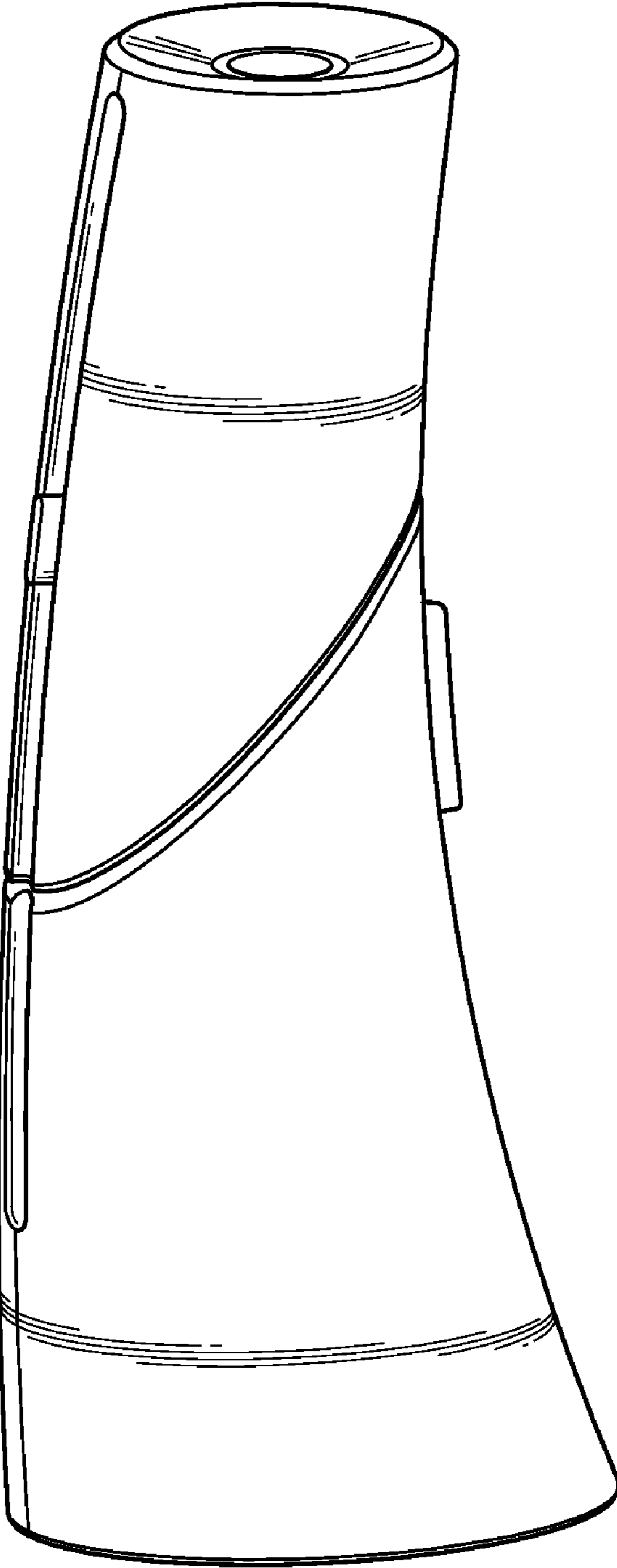


FIG.1

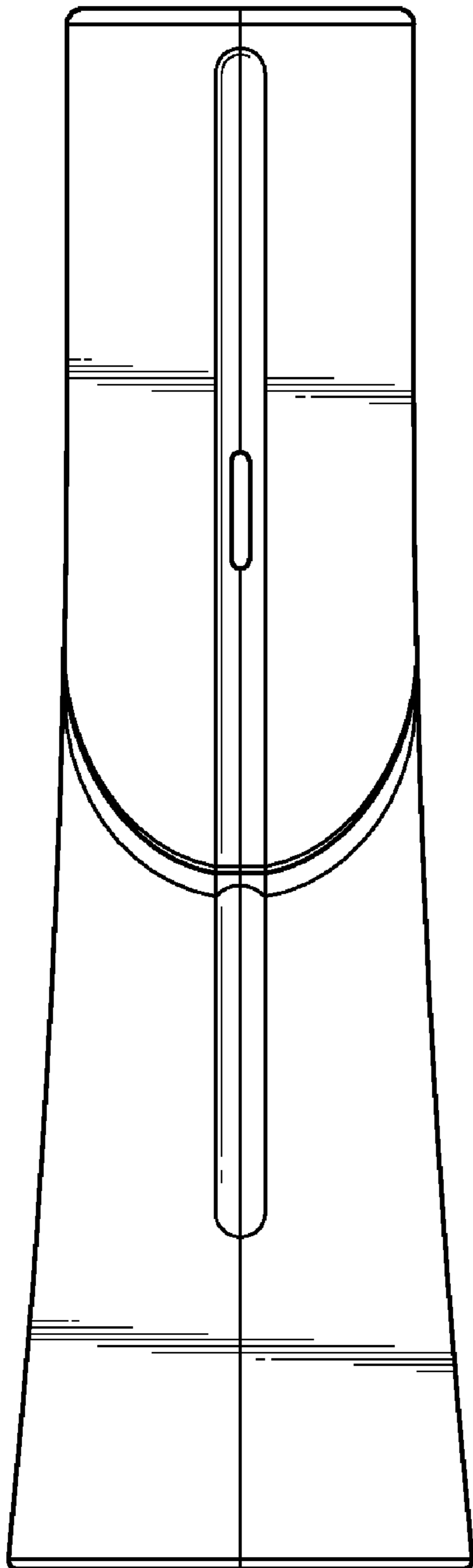


FIG. 2

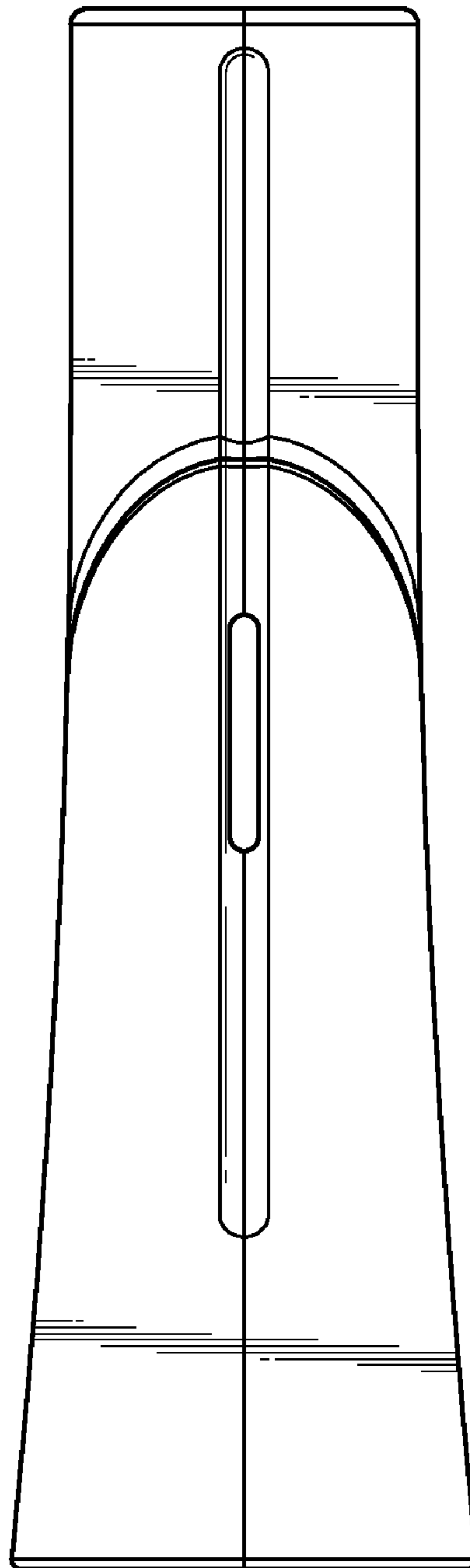


FIG. 3

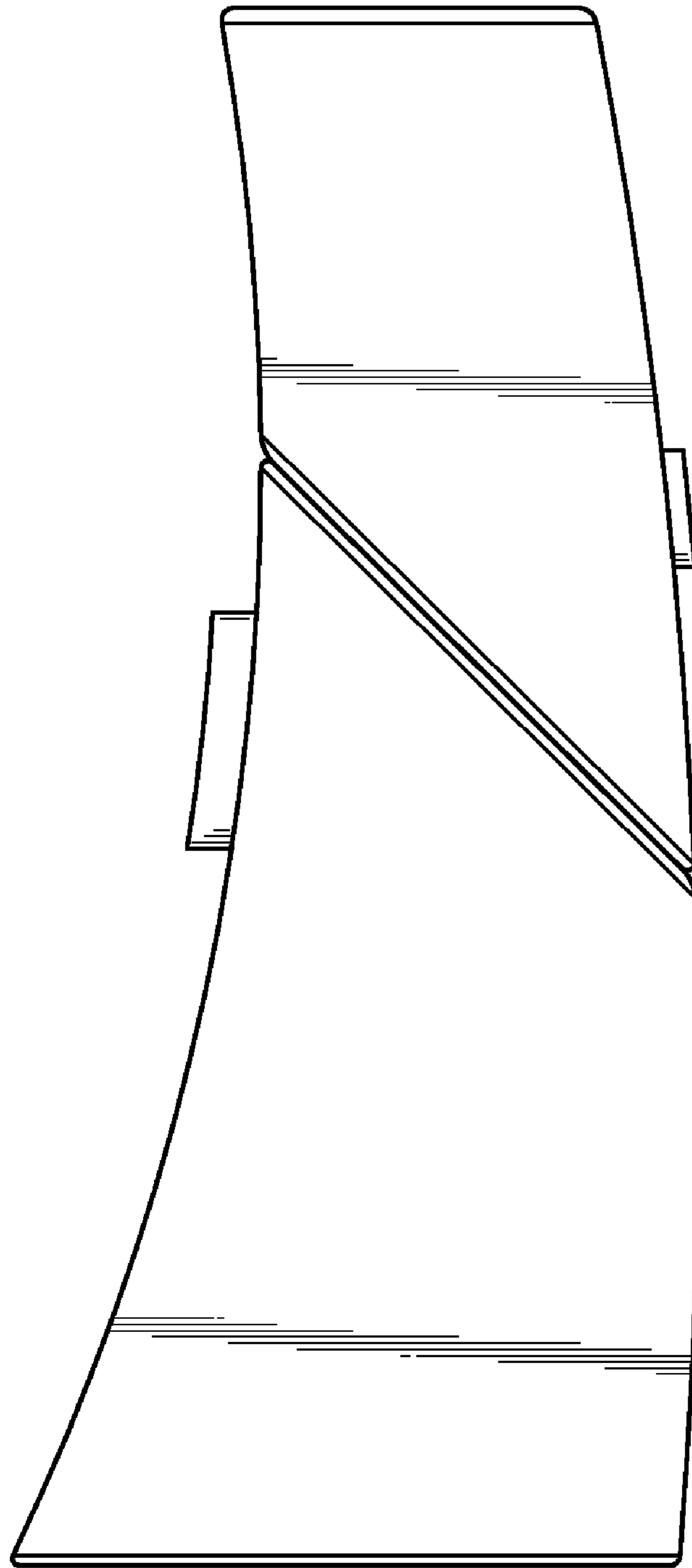


FIG.4

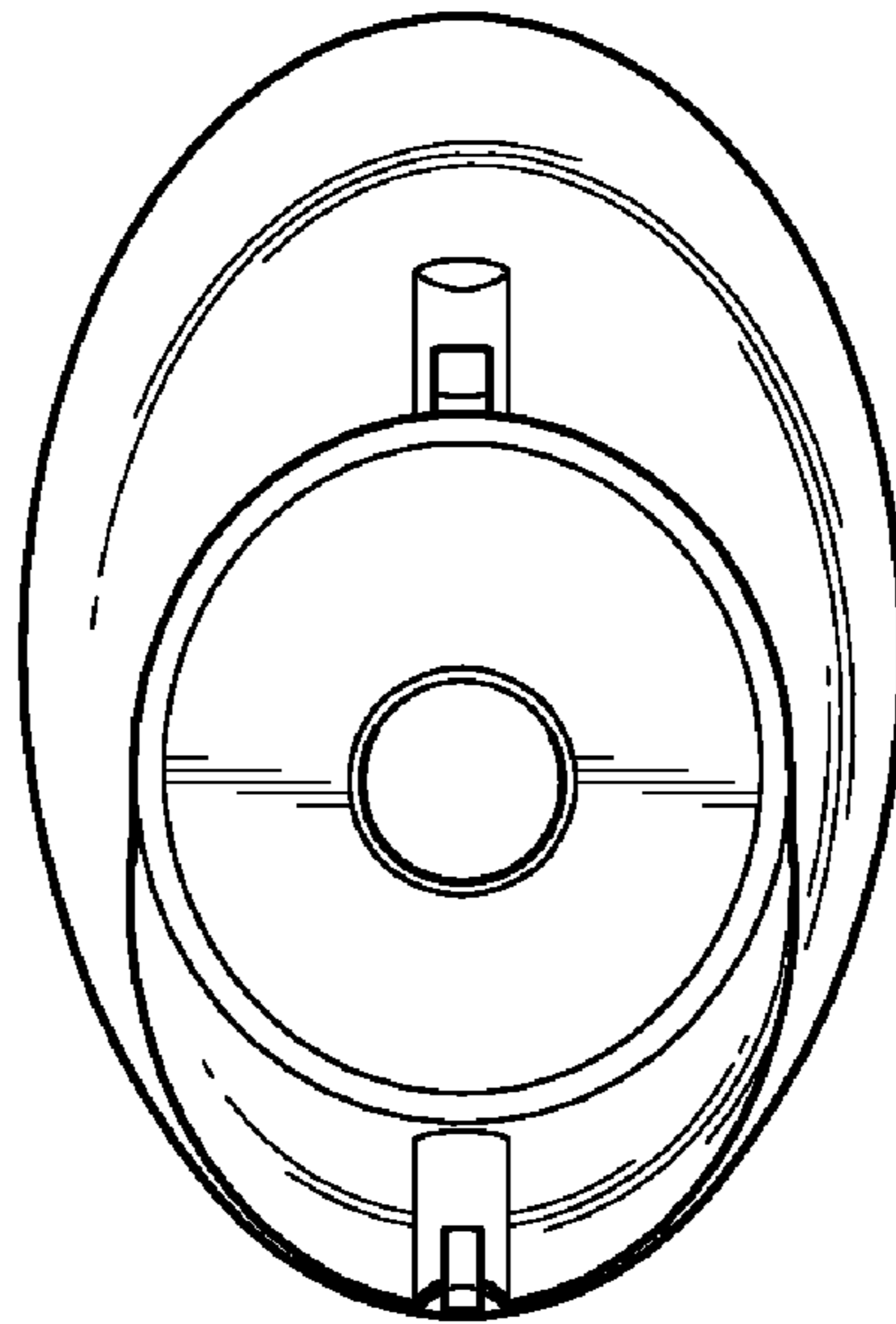


FIG. 5

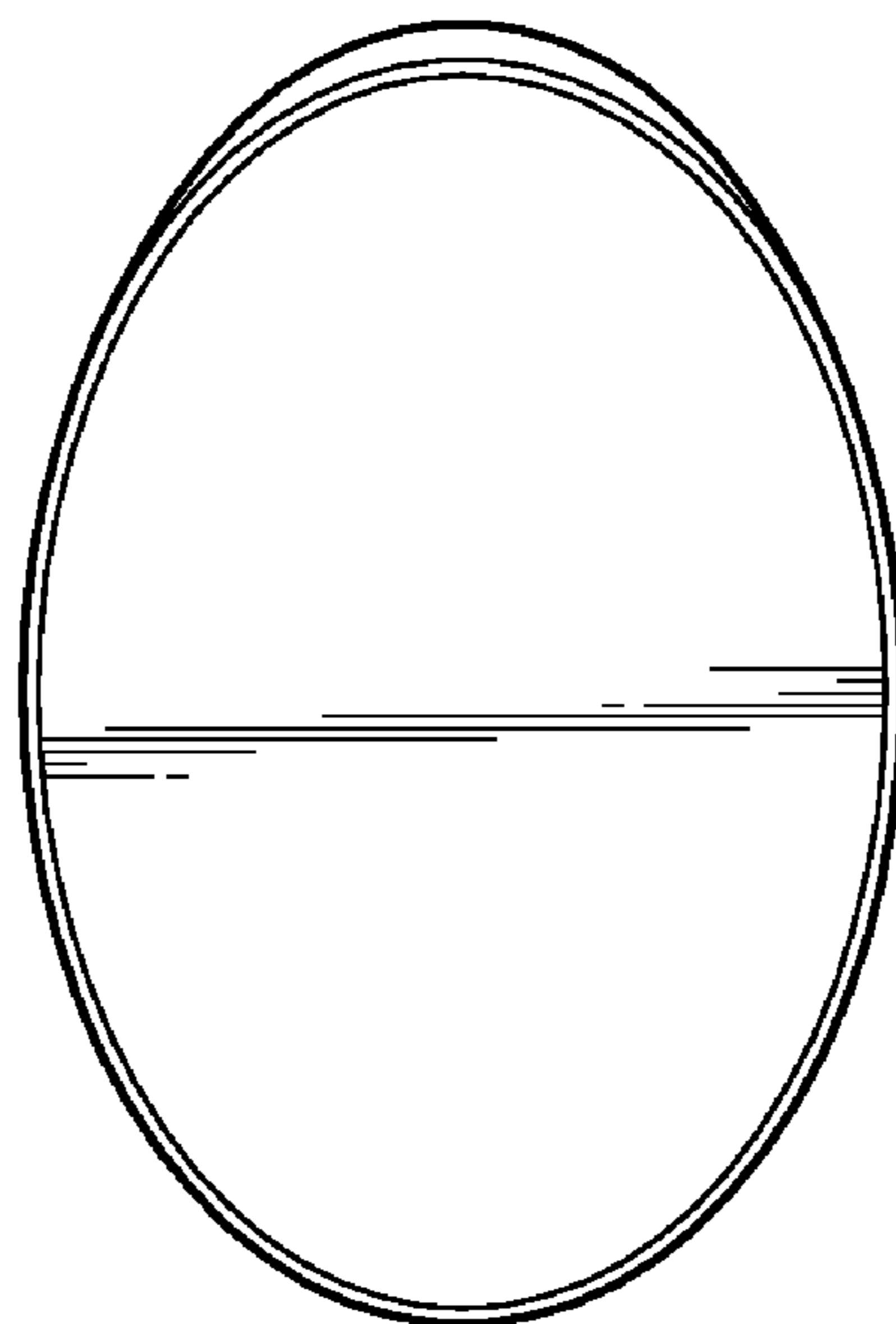


FIG. 6

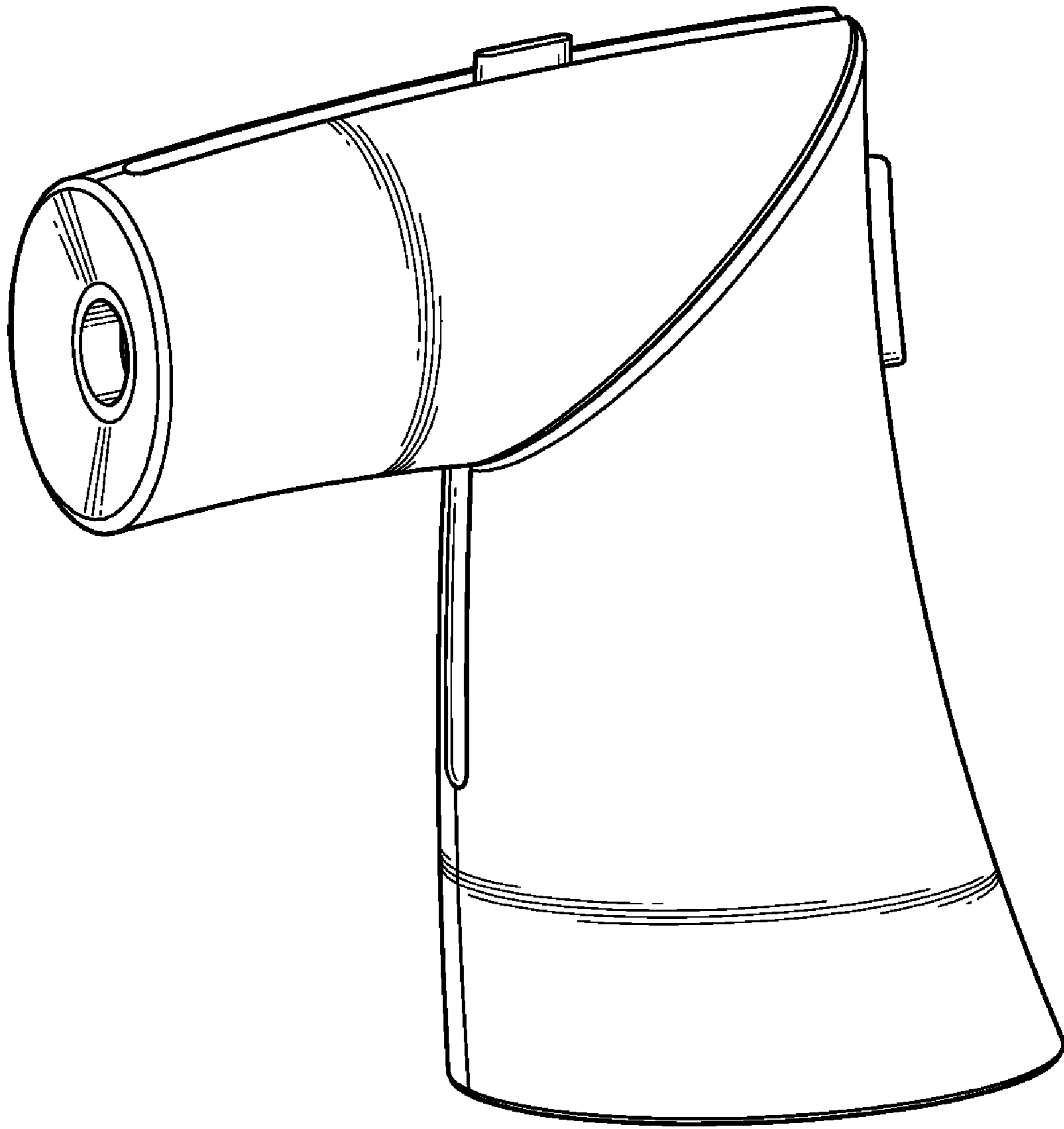


FIG. 7