



US00D583044S

(12) **United States Design Patent**
Hidalgo

(10) **Patent No.:** **US D583,044 S**

(45) **Date of Patent:** **** Dec. 16, 2008**

(54) **CEILING FAN HOUSING**

(75) Inventor: **Rolando Hidalgo**, Orange, CA (US)

(73) Assignee: **Minka Lighting, Inc.**, Corona, CA (US)

(**) Term: **14 Years**

(21) Appl. No.: **29/299,224**

(22) Filed: **Dec. 20, 2007**

(51) **LOC (8) Cl.** **23-04**

(52) **U.S. Cl.** **D23/411**

(58) **Field of Classification Search** D23/377,
D23/379, 385, 411, 413; 416/5
See application file for complete search history.

(56) **References Cited**

U.S. PATENT DOCUMENTS

D527,454 S *	8/2006	Hidalgo	D23/411
D556,888 S *	12/2007	Curtin et al.	D23/411
D561,328 S *	2/2008	Hidalgo	D23/411

OTHER PUBLICATIONS

Hunter Internet Catalog; Ashland; Model # 23907; printed from www.hansenwholesale.com on Apr. 25, 2007.*

Craftmade Internet Catalog; Riata; Model #RT52RI; printed from www.hansenwholesale.com on Apr. 25, 2007.*

* cited by examiner

Primary Examiner—Lisa P Lichtenstein

(74) *Attorney, Agent, or Firm*—Baker & McKenzie LLP

(57) **CLAIM**

The ornamental design for a ceiling fan housing, as shown and described.

DESCRIPTION

FIG. 1 is a bottom perspective view of a ceiling fan housing in accordance with my design;

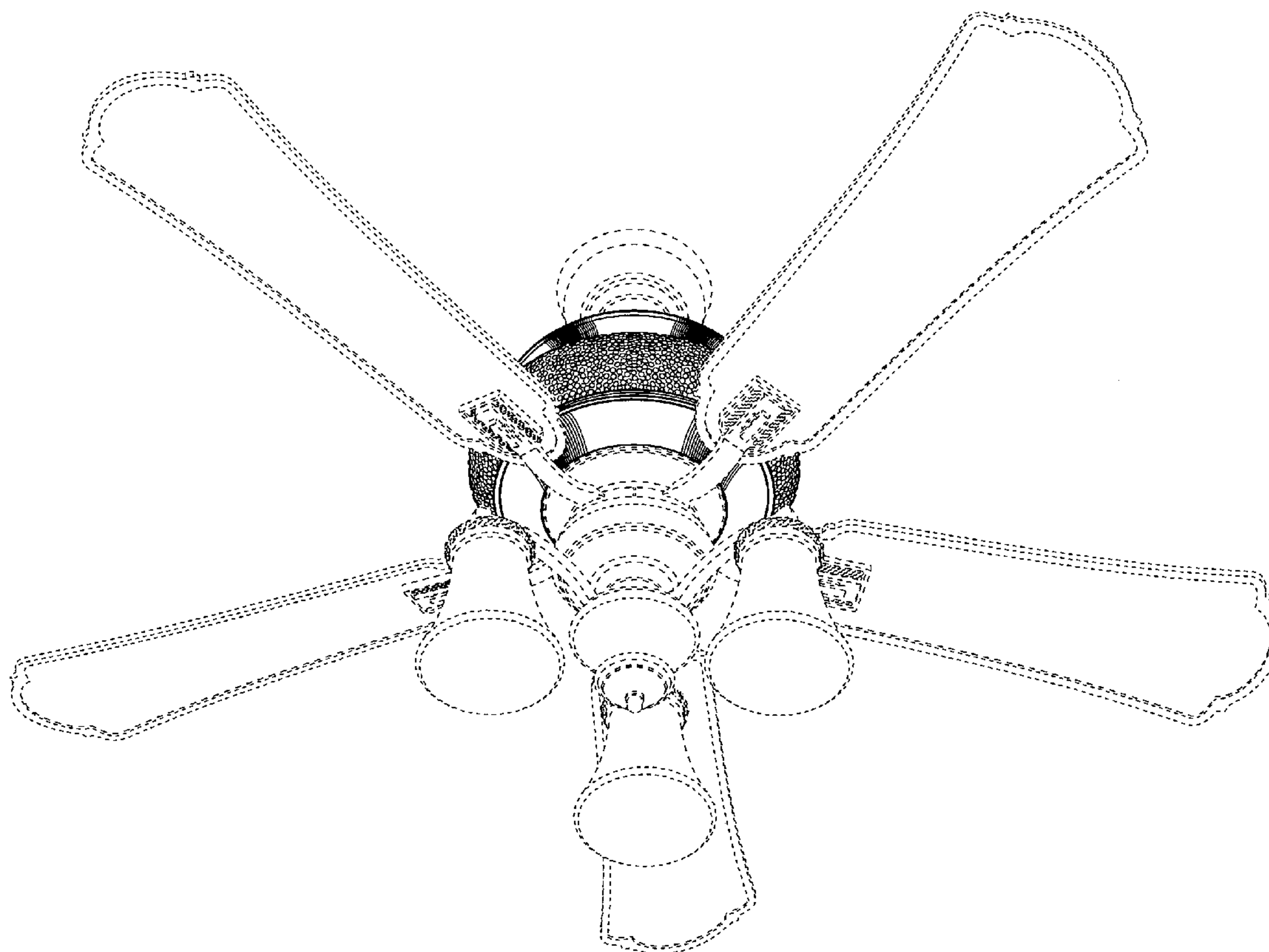
FIG. 2 is an enlarged top plan view of the ceiling fan housing in accordance with my design;

FIG. 3 is an enlarged bottom plan view of the ceiling fan housing in accordance with my design; and,

FIG. 4 is a greatly enlarged side elevation view of the ceiling fan housing in accordance with my design, all sides being identical.

The broken line showing of the canopy, support rod, blades, blade irons and light fixture is included for the purpose of illustrating environmental structure and forms no part of the claimed design.

1 Claim, 4 Drawing Sheets



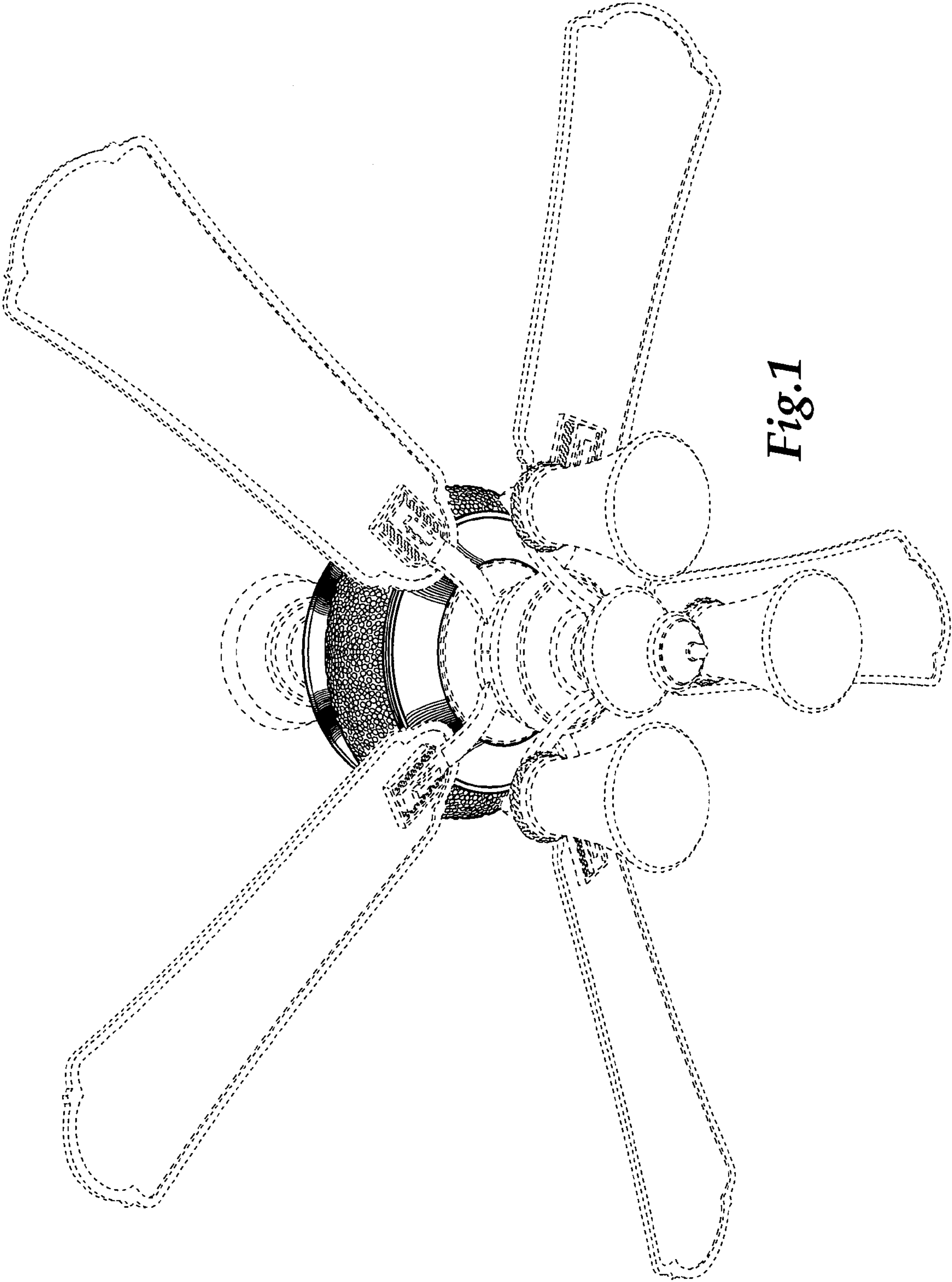


Fig. 1

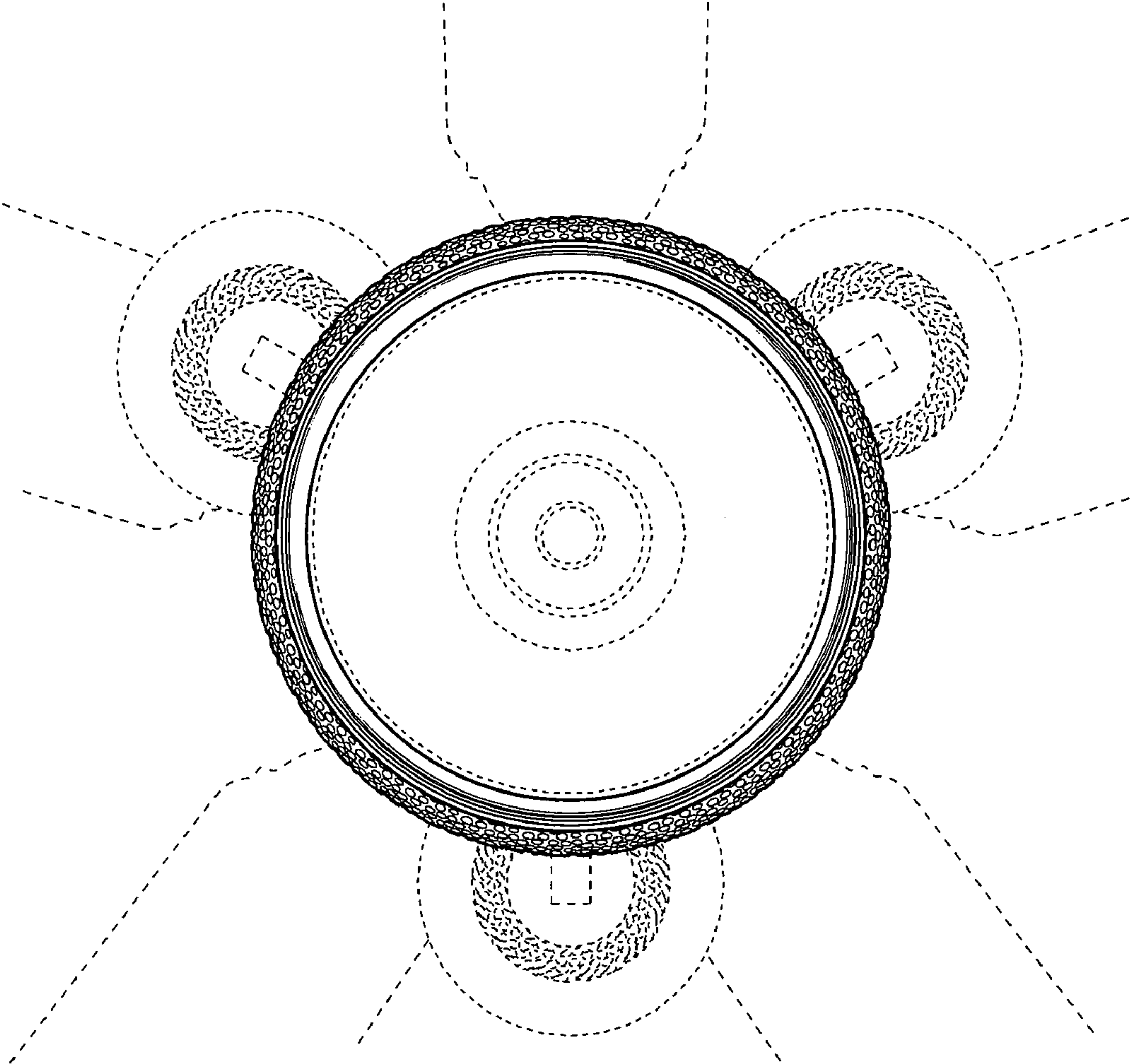


Fig.2

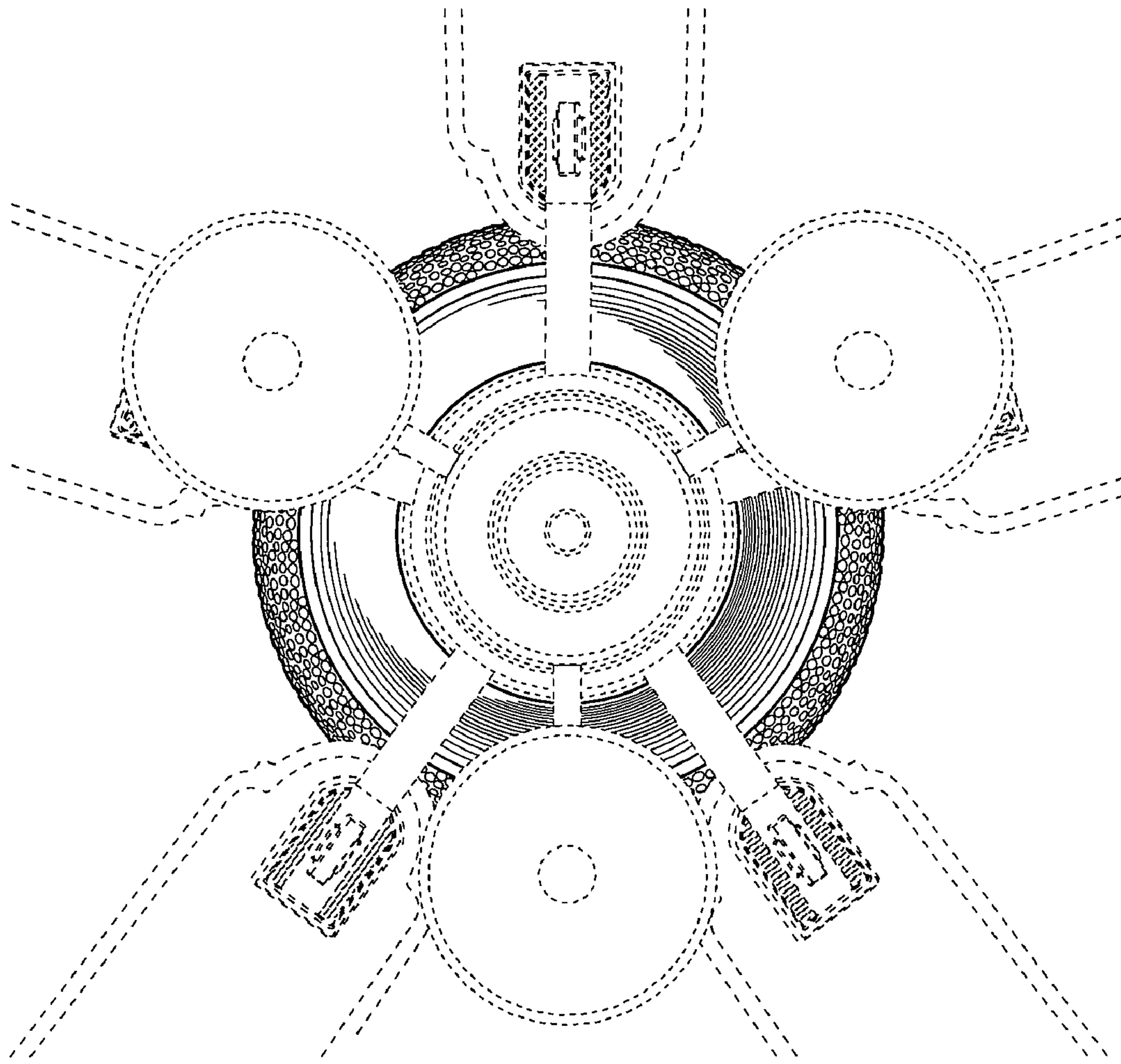


Fig.3

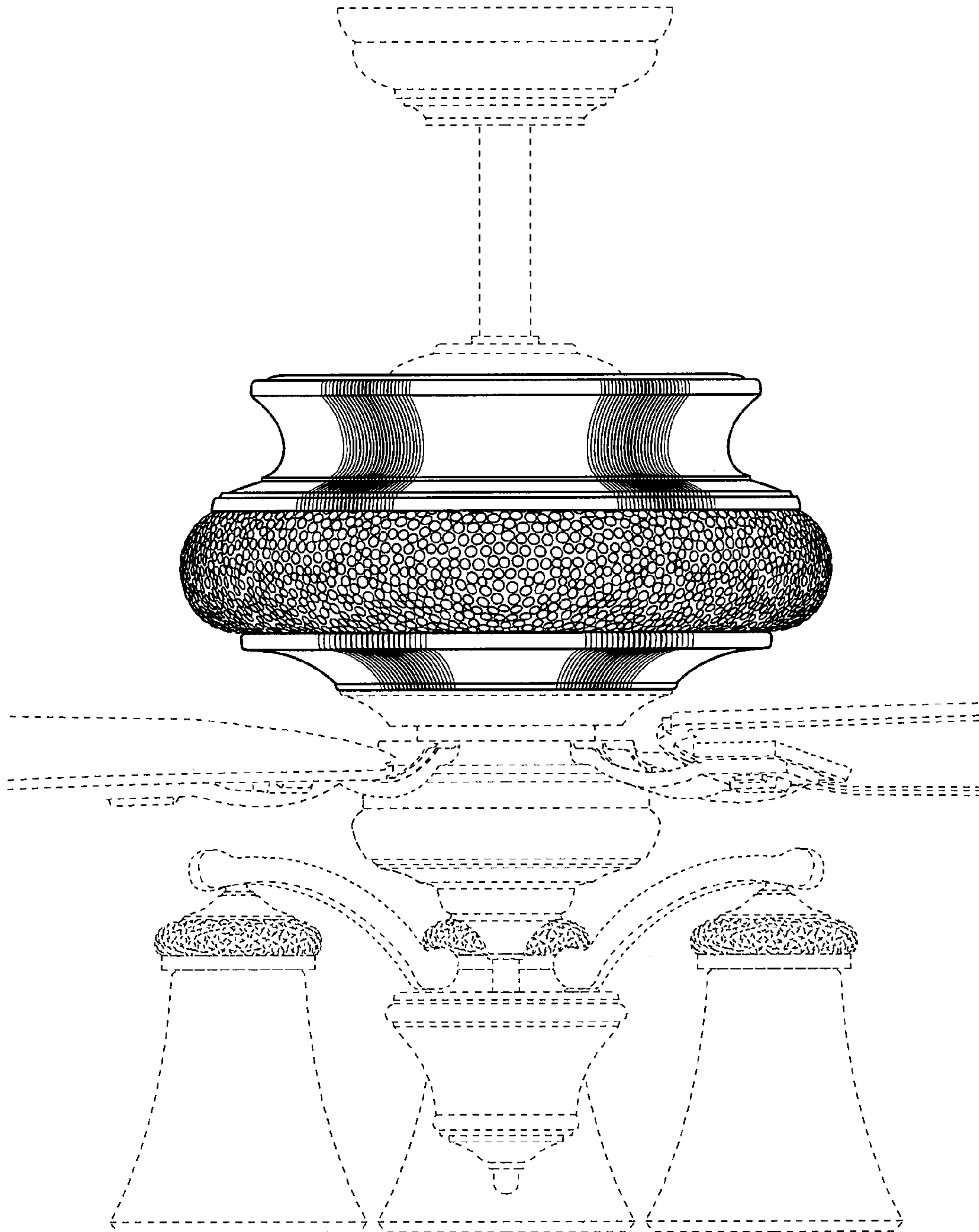


Fig.4