



US00D583041S

(12) **United States Design Patent**
Stern et al.

(10) **Patent No.:** **US D583,041 S**
(45) **Date of Patent:** **** Dec. 16, 2008**

(54) **PORTABLE DRYER**

(75) Inventors: **David Stern**, Suffern, NY (US);
Kenneth H. Stern, Suffern, NY (US);
Fred Bishop, Fort Lee, NJ (US); **Jules Stern**, Spring Valley, NY (US); **John Hofsess**, Waldwick, NJ (US)

(73) Assignee: **Metropolitan Vacuum Cleaner Co., Inc.**, Suffern, NY (US)

(**) Term: **14 Years**

(21) Appl. No.: **29/271,099**

(22) Filed: **Jan. 11, 2007**

(51) **LOC (8) Cl.** **23-04**

(52) **U.S. Cl.** **D23/383**

(58) **Field of Classification Search** D23/383;
D32/15; 34/90, 444, 619, 273

See application file for complete search history.

(56) **References Cited**

U.S. PATENT DOCUMENTS

D282,396 S *	1/1986	Weaver	D23/383
D340,326 S *	10/1993	Genovese	D32/15
D527,500 S *	8/2006	Christianson	D32/15

* cited by examiner

Primary Examiner—Lisa P Lichtenstein
(74) *Attorney, Agent, or Firm*—Michael E. Zall

(57) **CLAIM**

The ornamental design for a portable dryer, as shown and described.

DESCRIPTION

FIG. 1 is a perspective view of of the portable dryer as seen from the top, front and left sides, wherein the broken linework is for environmental purposes only and does not form a part of the claimed design;

FIG. 2 is a front elevational view thereof;

FIG. 3 is a right side elevational view thereof, the left side elevational view being a mirror image thereof;

FIG. 4 is a rear elevational view thereof;

FIG. 5 is a top plan view thereof;

FIG. 6 is a bottom plan view thereof;

FIG. 7 is a reduced perspective view similar to FIG. 1 showing additional environmental linework; and,

FIG. 8 is a reduced perspective view similar to FIG. 1 showing additional environmental linework.

The broken line showing of portions of a portable dryer is included for the purpose of illustrating environmental structure and forms no part of the claimed design.

1 Claim, 7 Drawing Sheets

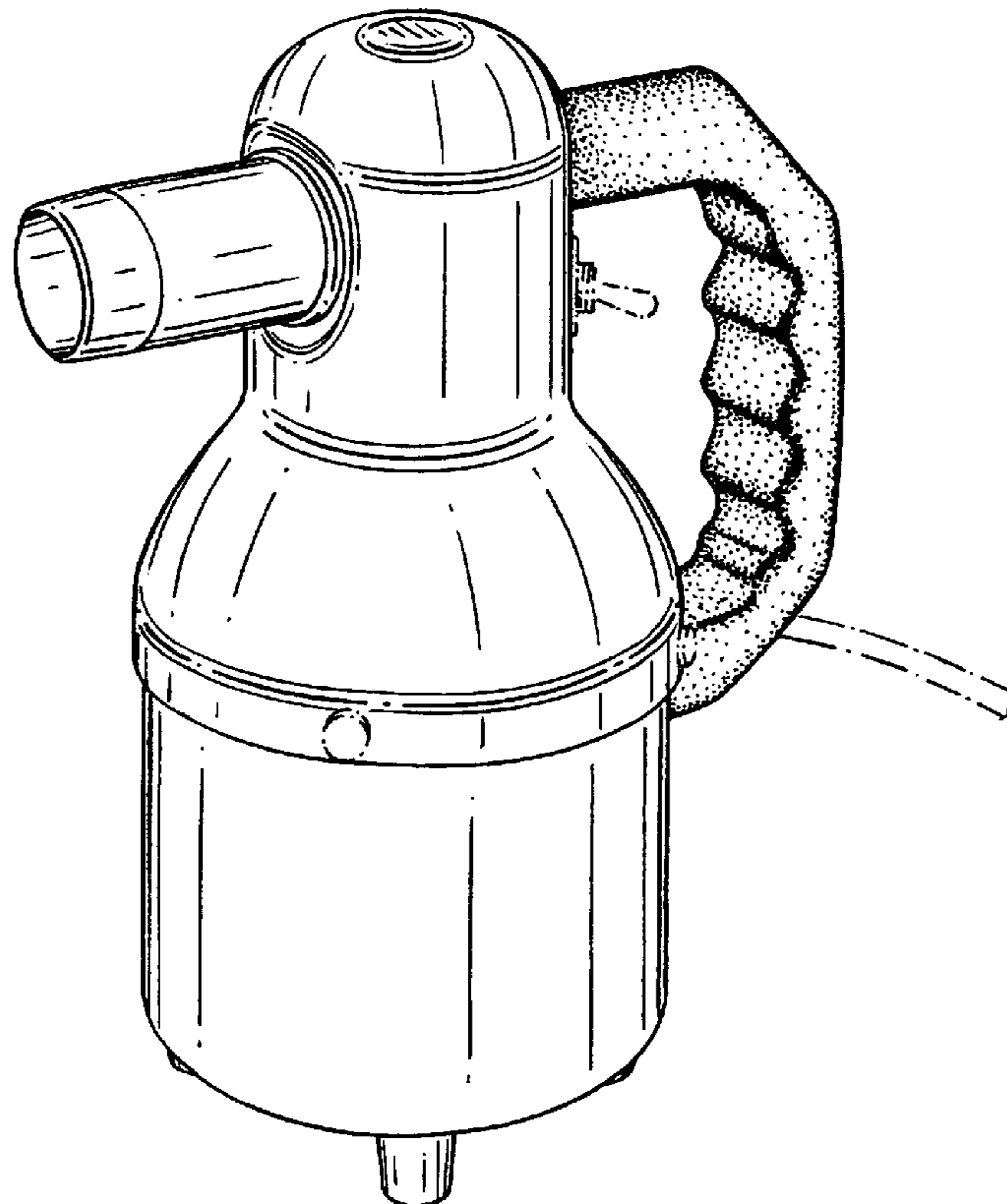


FIG. 1

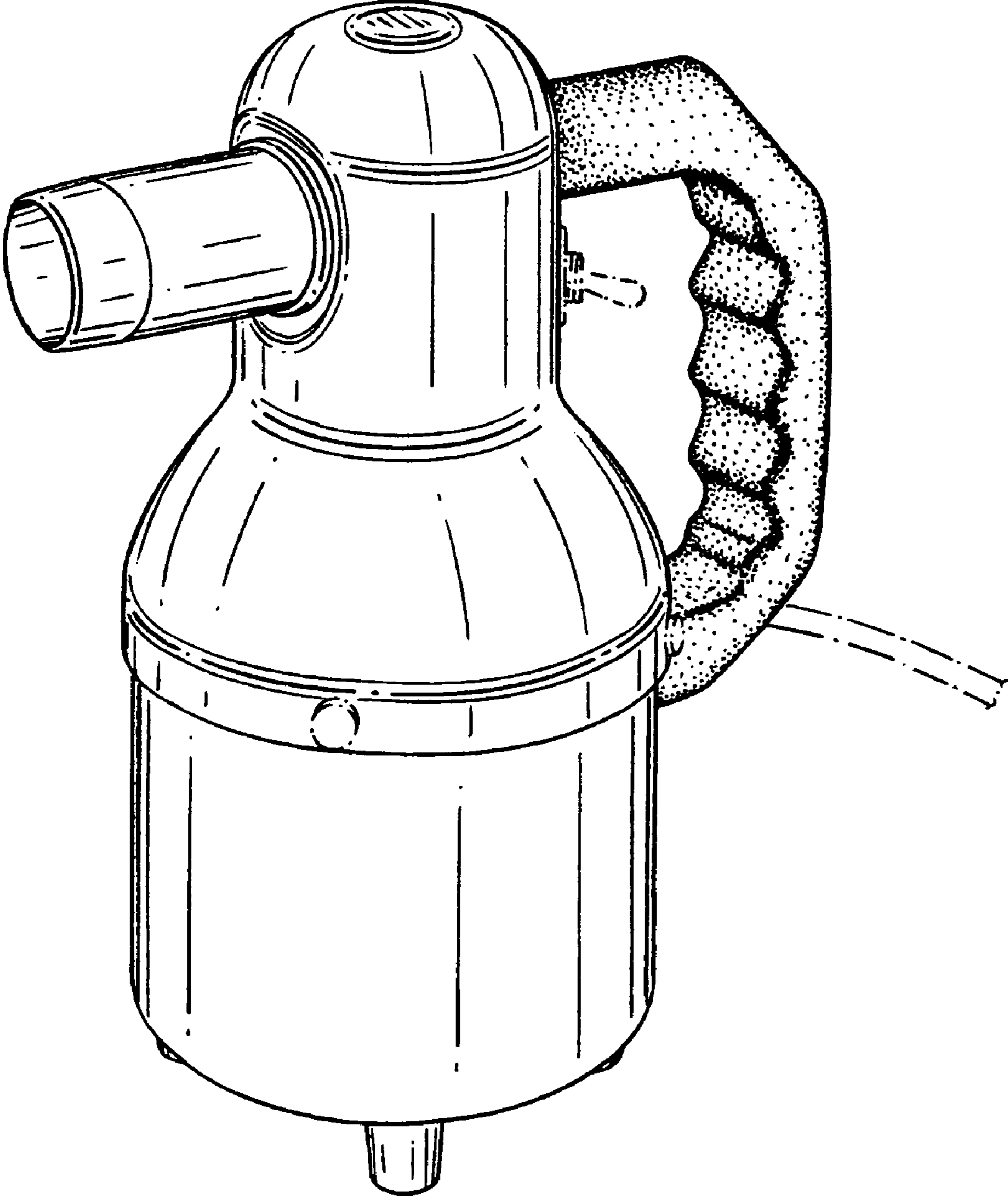


FIG. 2

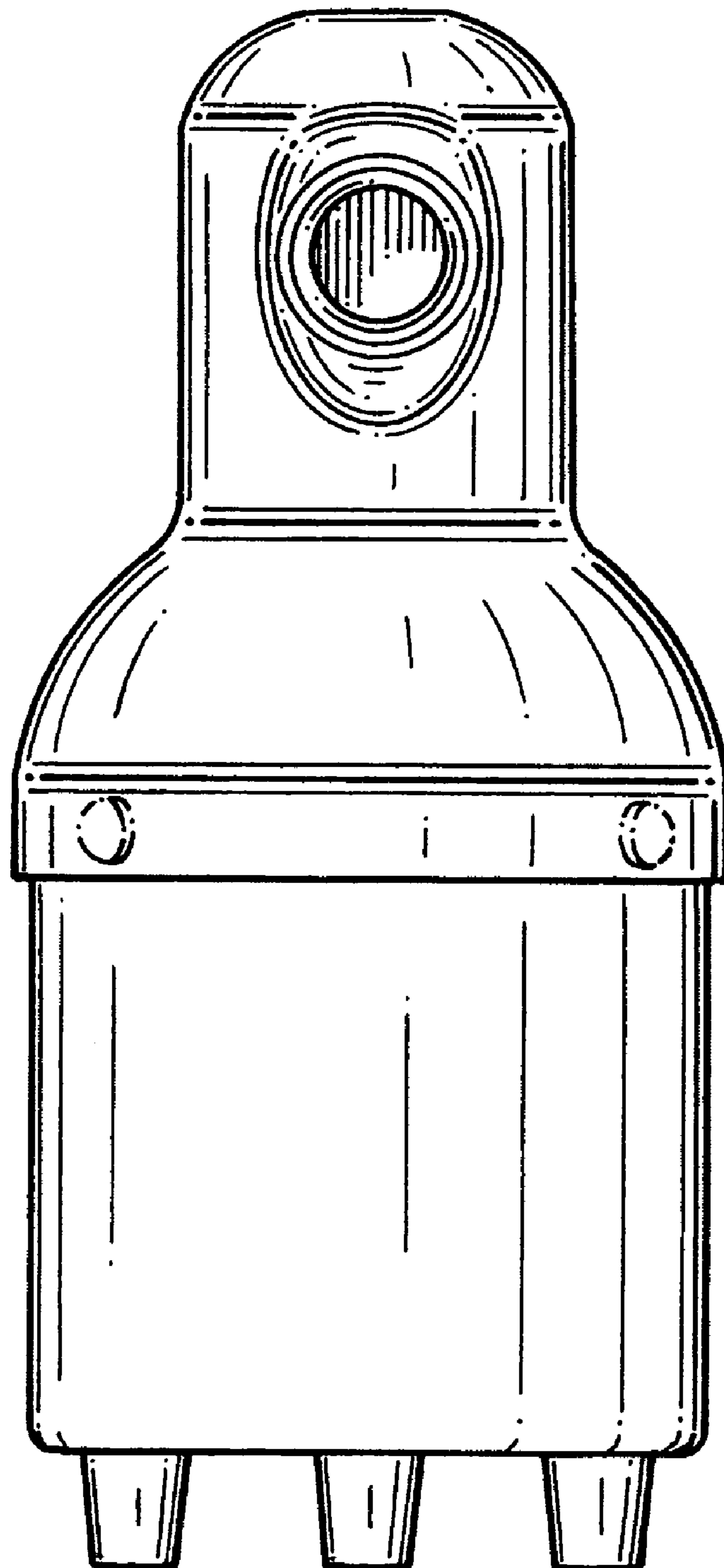


FIG. 3

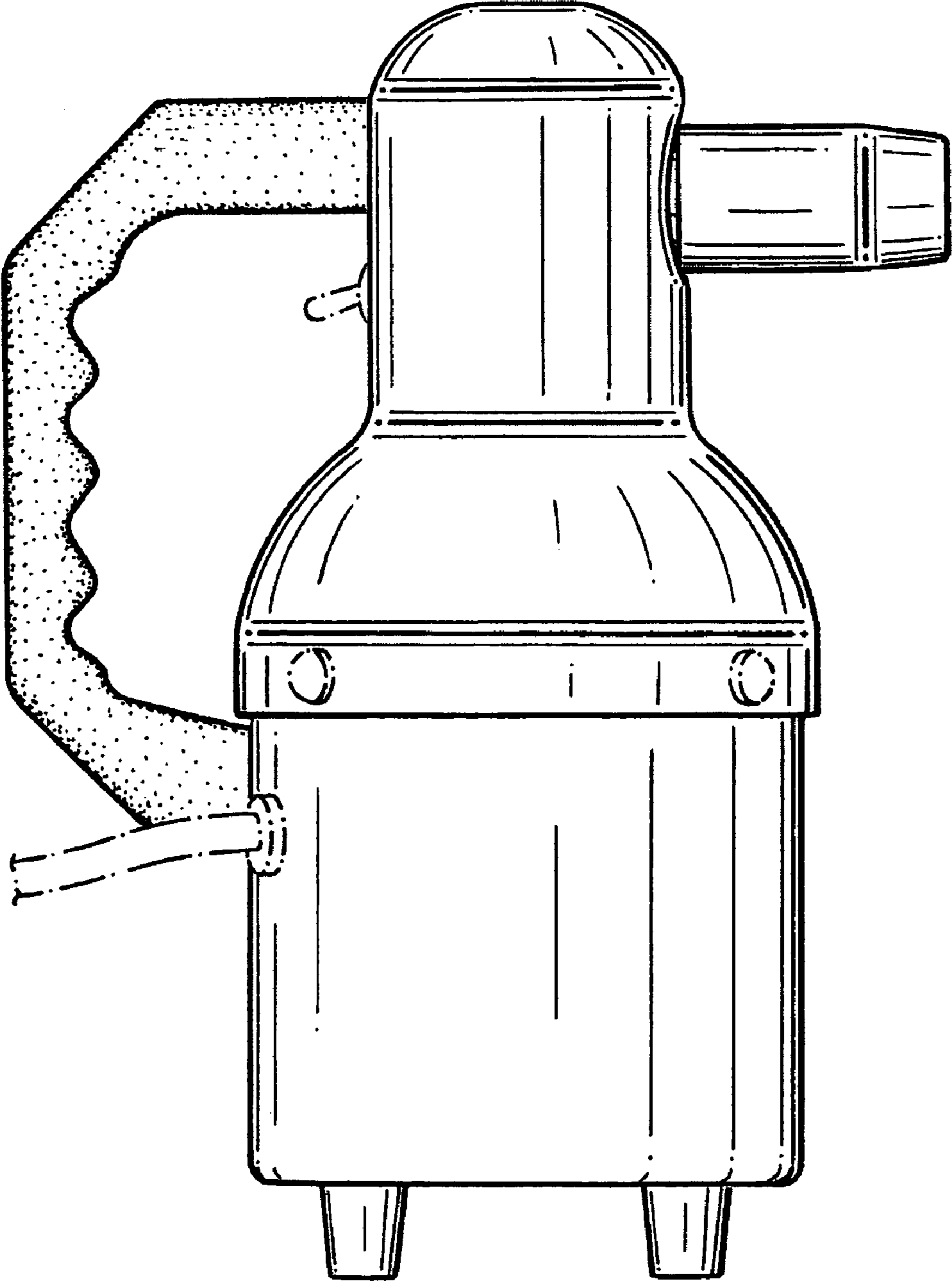


FIG. 4

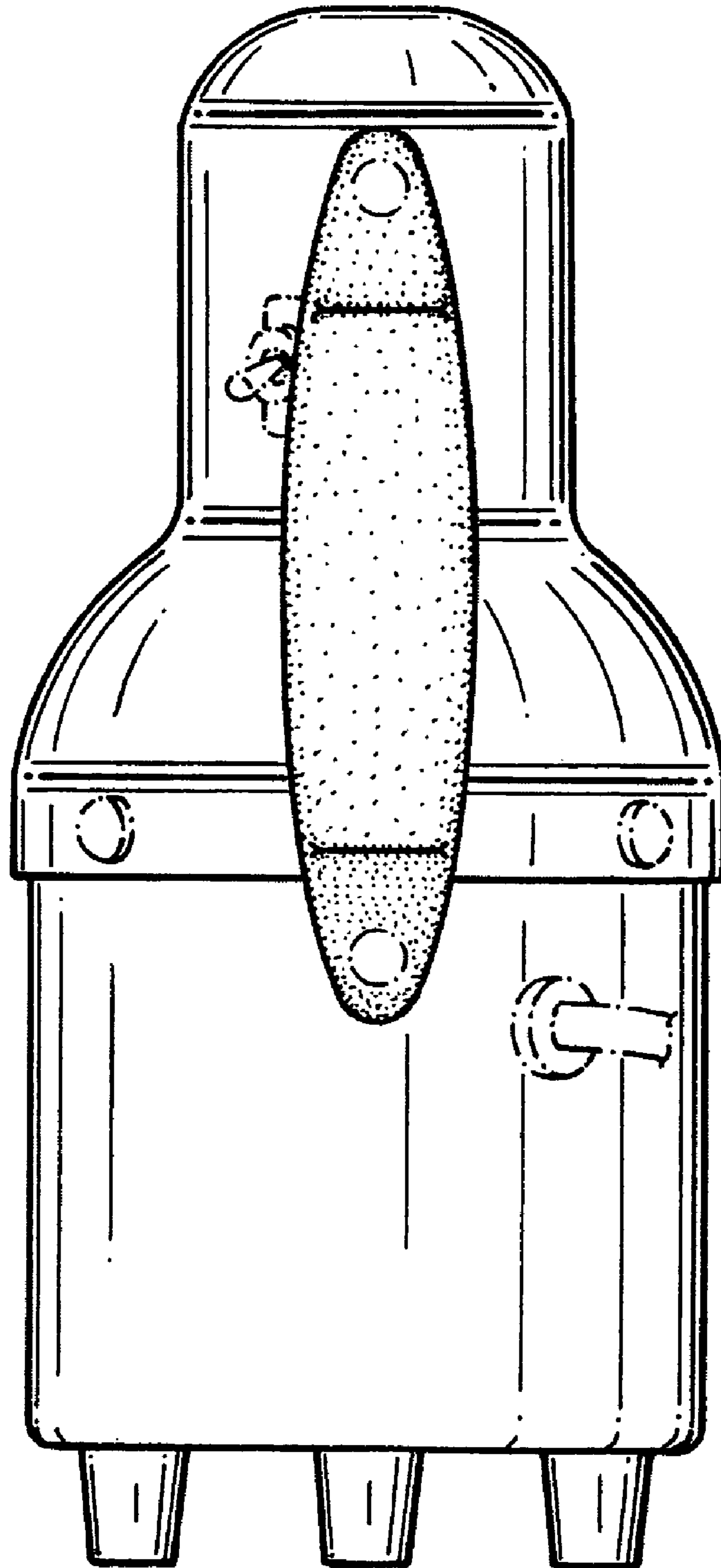


FIG. 5

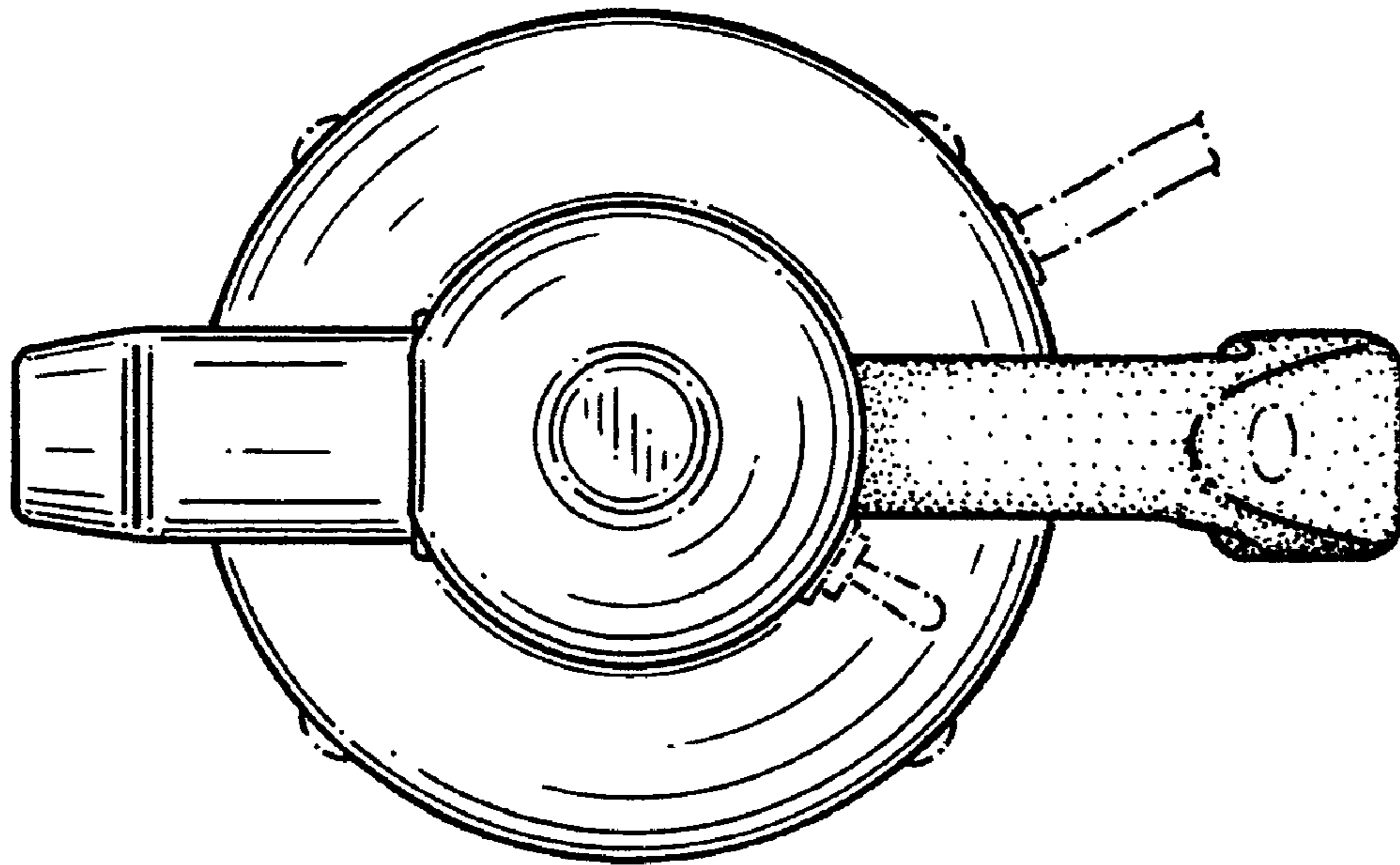


FIG. 6

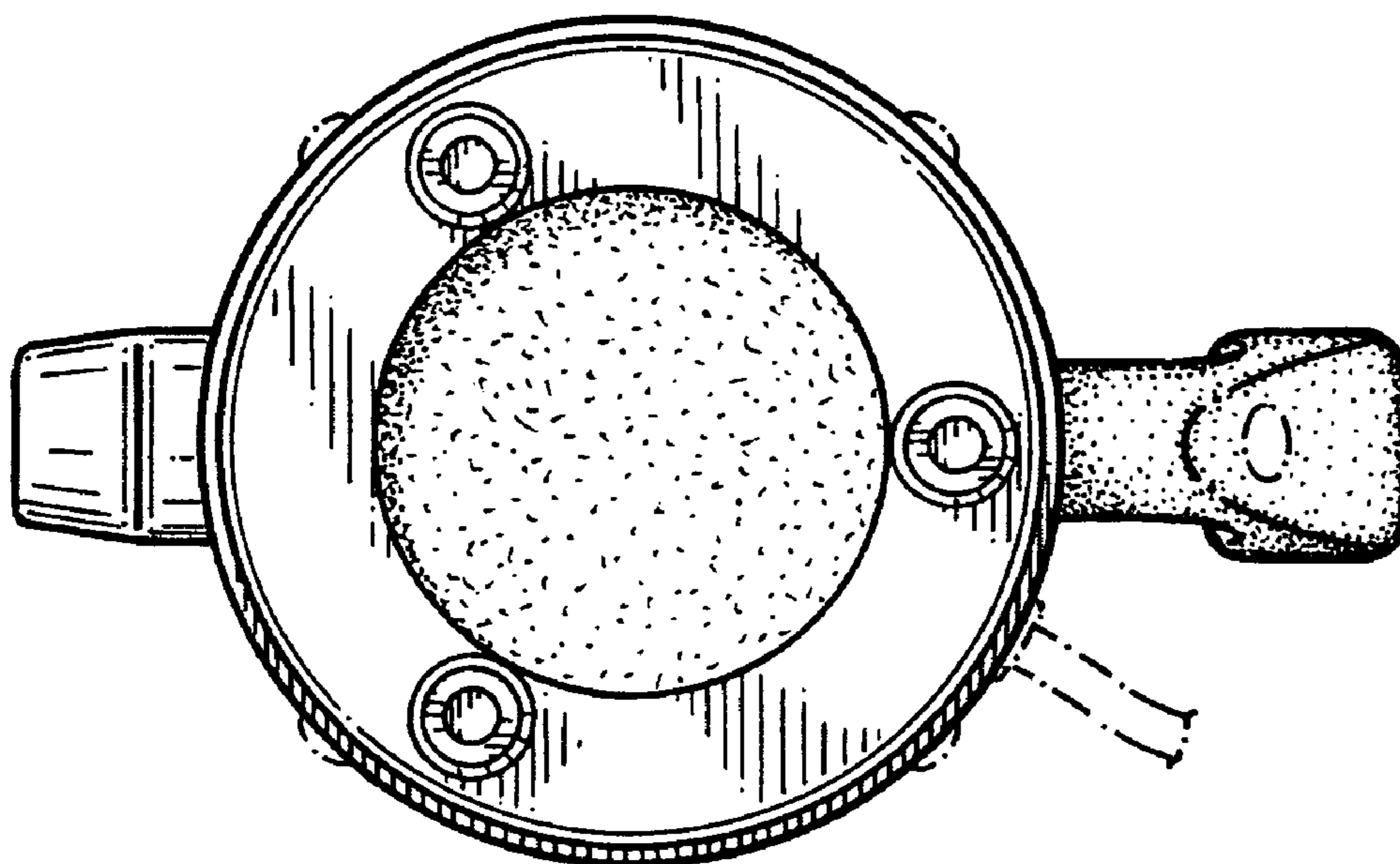


FIG. 7

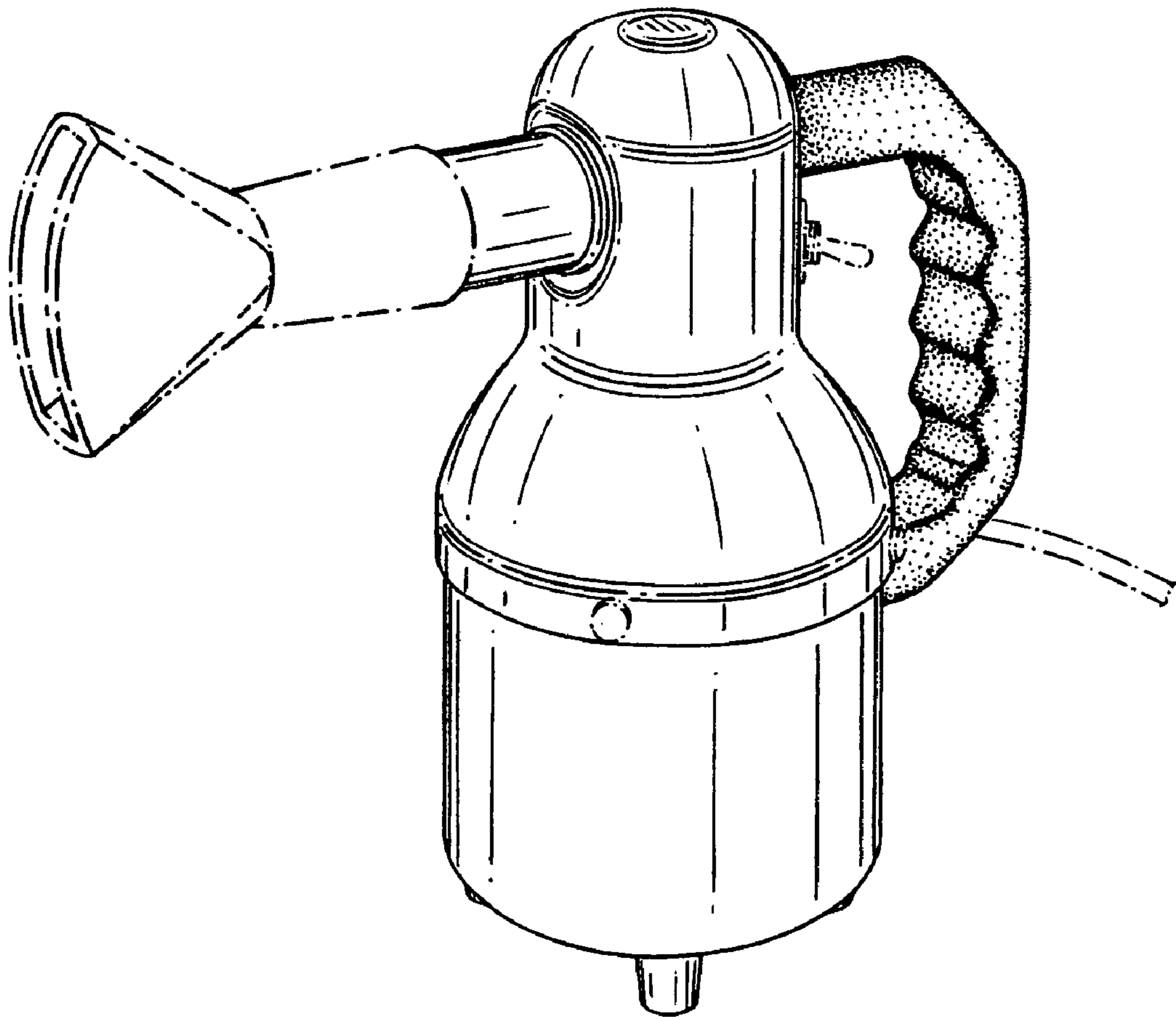


FIG. 8

