



US00D583040S

(12) **United States Design Patent**  
**Hidalgo**

(10) **Patent No.:** **US D583,040 S**  
(45) **Date of Patent:** **\*\* Dec. 16, 2008**

(54) **COMBINATION CEILING FAN AND LIGHT FIXTURE**

(75) Inventor: **Rolando Hidalgo**, Orange, CA (US)

(73) Assignee: **Minka Lighting, Inc.**, Corona, CA (US)

(\*\*) Term: **14 Years**

(21) Appl. No.: **29/299,251**

(22) Filed: **Dec. 20, 2007**

(51) **LOC (8) Cl.** ..... **23-04**

(52) **U.S. Cl.** ..... **D23/377**

(58) **Field of Classification Search** ..... D23/377,  
D23/379, 385, 411, 413; 416/5; D26/59,  
D26/72, 81-86, 88, 51

See application file for complete search history.

(56) **References Cited**

**U.S. PATENT DOCUMENTS**

D431,664 S	*	10/2000	Hsieh	.....	D26/82
D476,410 S	*	6/2003	Young	.....	D23/411
D520,632 S	*	5/2006	Tai	.....	D23/411
D527,452 S		8/2006	Hidalgo		
D527,453 S		8/2006	Hidalgo		
D563,010 S	*	2/2008	Pickett	.....	D26/59

**OTHER PUBLICATIONS**

Hunter Internet Catalog; Charmaine; Model #28194; printed from www.hansenwhole.com on Apr. 25, 2007.

Emerson Internet Catalog; Athenian; Model #CF2400PW; printed from www.hansenwhole.com on Apr. 25, 2007.

Emerson Internet Catalog; Contours; Model #KF140TZ; printed from www.hansenwhole.com on Apr. 25, 2007.

Casa Vieja Internet Catalog; Heirloom Mission; Model #44814; printed from www.lampsplus.com on Aug. 1, 2007.

Hampton Bay Internet Catalog; Miramar; Model #AC374-BN; printed from www.homedepot.com on May 16, 2007.

\* cited by examiner

*Primary Examiner*—Lisa P Lichtenstein

(74) *Attorney, Agent, or Firm*—Baker & McKenzie LLP

(57) **CLAIM**

The ornamental design for a combination ceiling fan and light fixture, as shown and described.

**DESCRIPTION**

FIG. 1 is a bottom perspective view of a combination ceiling fan and light fixture in accordance with my design;

FIG. 2 is a reduced top plan view of the combination ceiling fan and light fixture in accordance with my design;

FIG. 3 is a reduced bottom plan view of the combination ceiling fan and light fixture in accordance with my design;

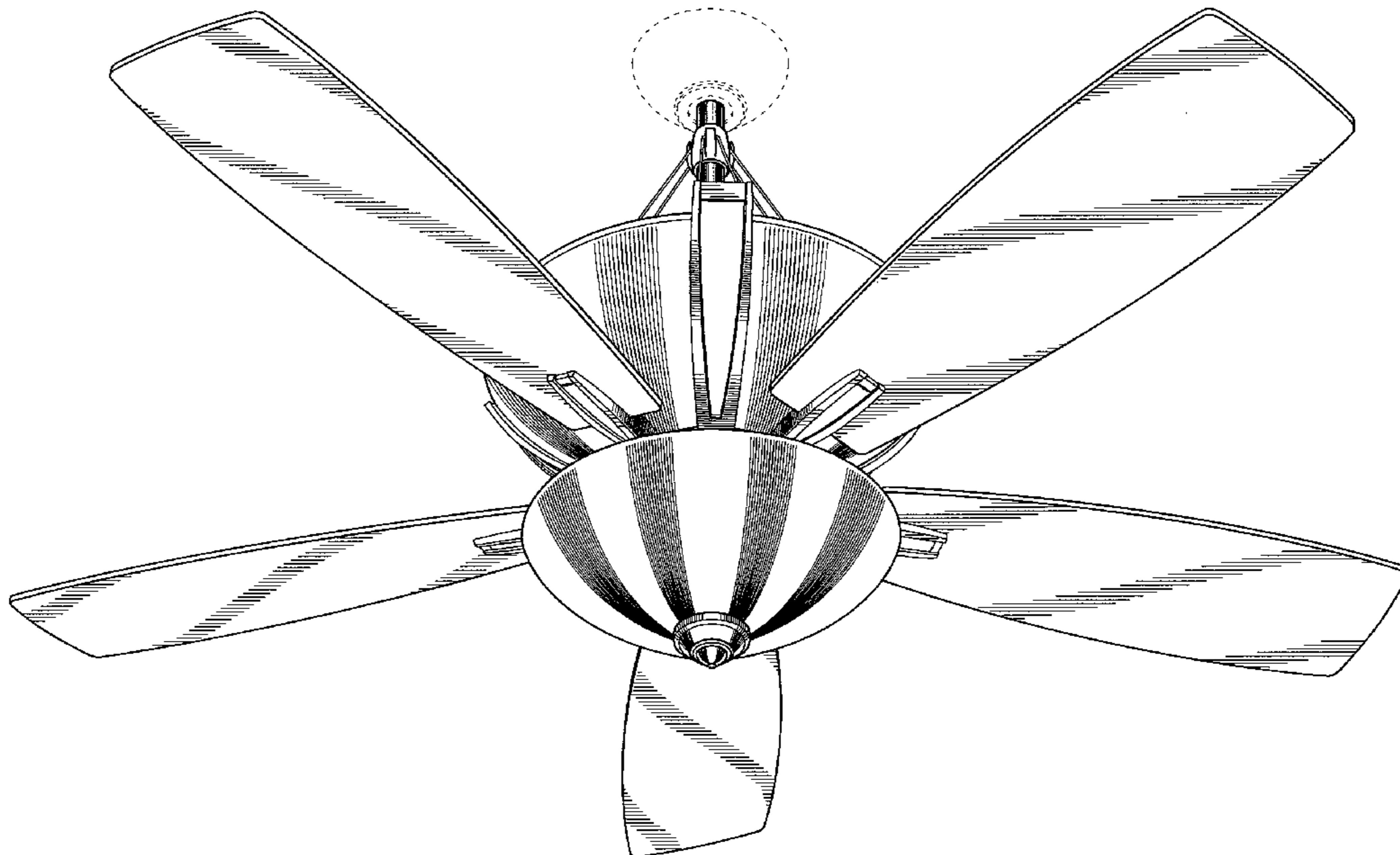
FIG. 4 is an enlarged front elevation view of the combination ceiling fan and light fixture in accordance with my design;

FIG. 5 is an enlarged back elevation view of the combination ceiling fan and light fixture in accordance with my design; and,

FIG. 6 is an enlarged side elevation view of the combination ceiling fan and light fixture in accordance with my design, the opposite view being a mirror image of that shown except for the position of the fan blades.

The broken lines showing the canopy and air vents is included for the purpose of illustrating environmental structure and forms no part of the claimed design.

**1 Claim, 6 Drawing Sheets**



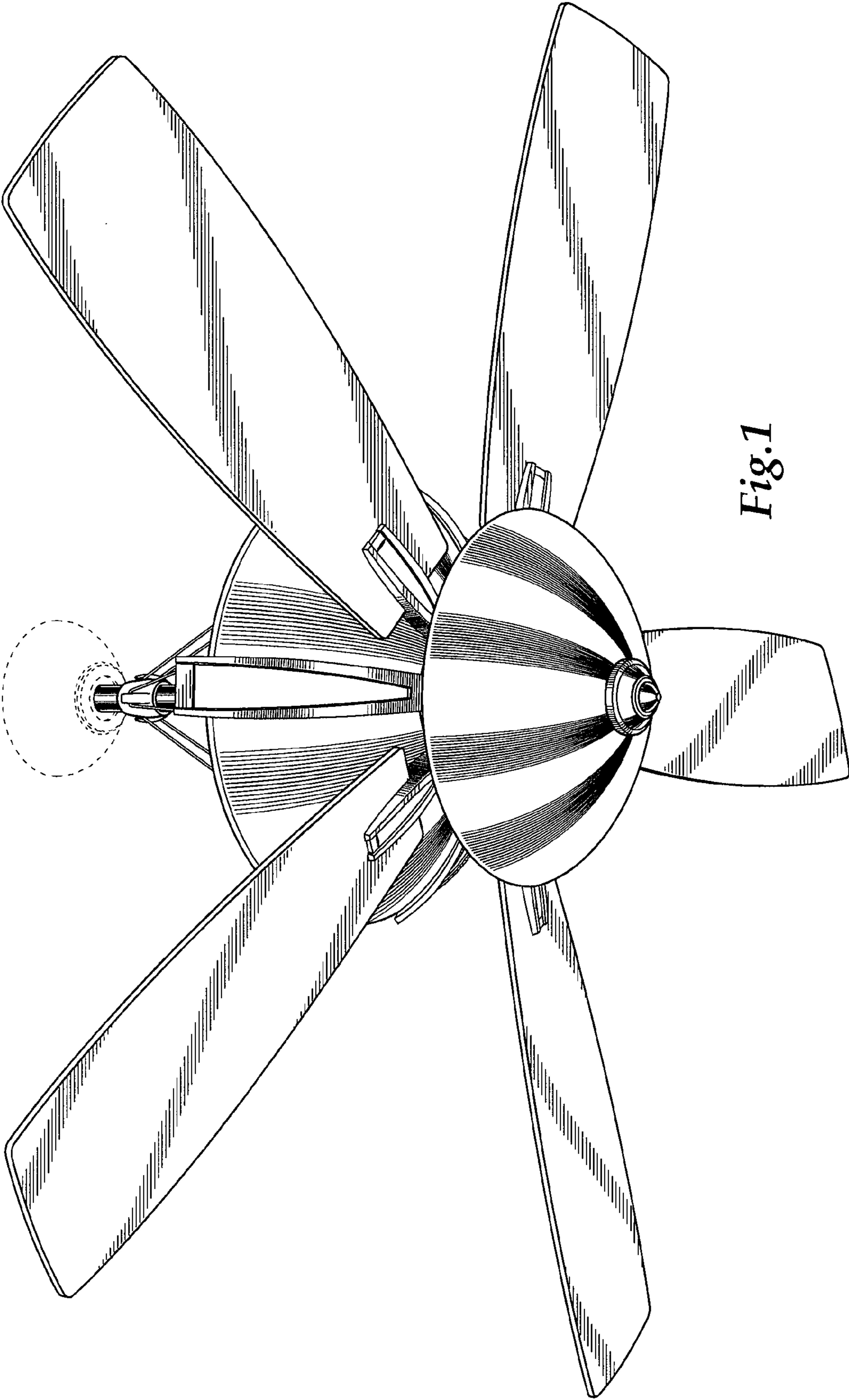
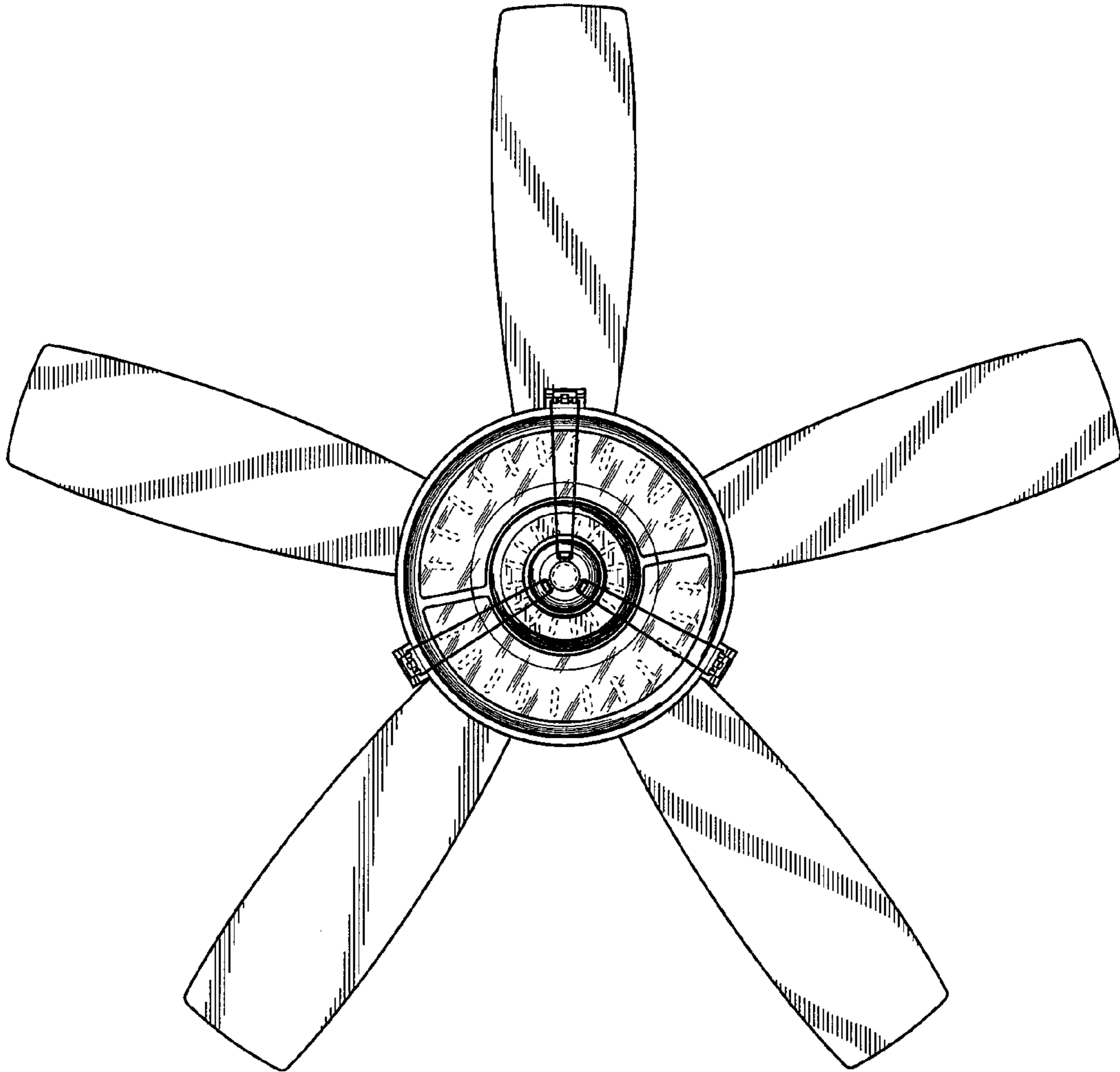
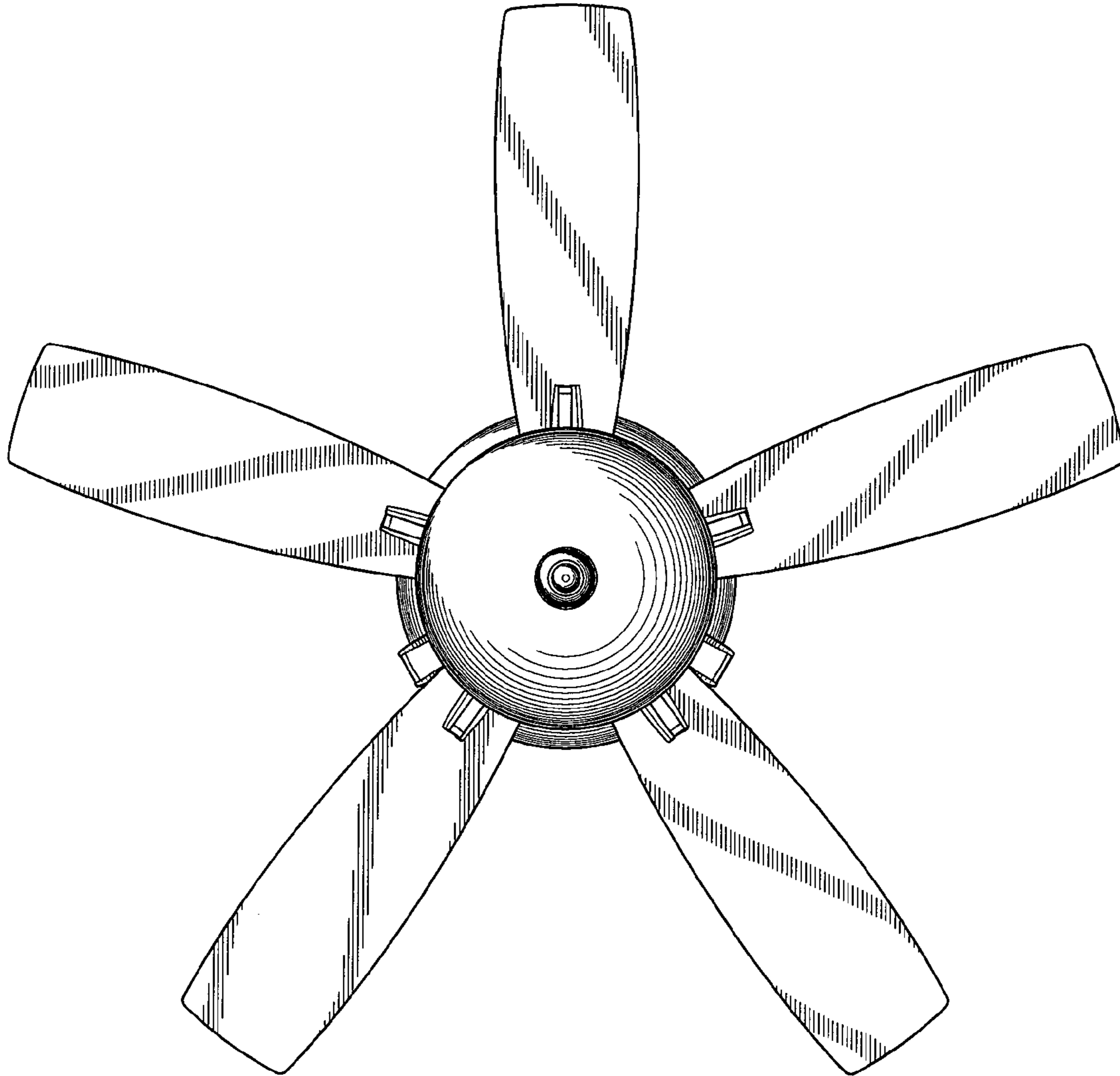


Fig.1



*Fig.2*



*Fig.3*

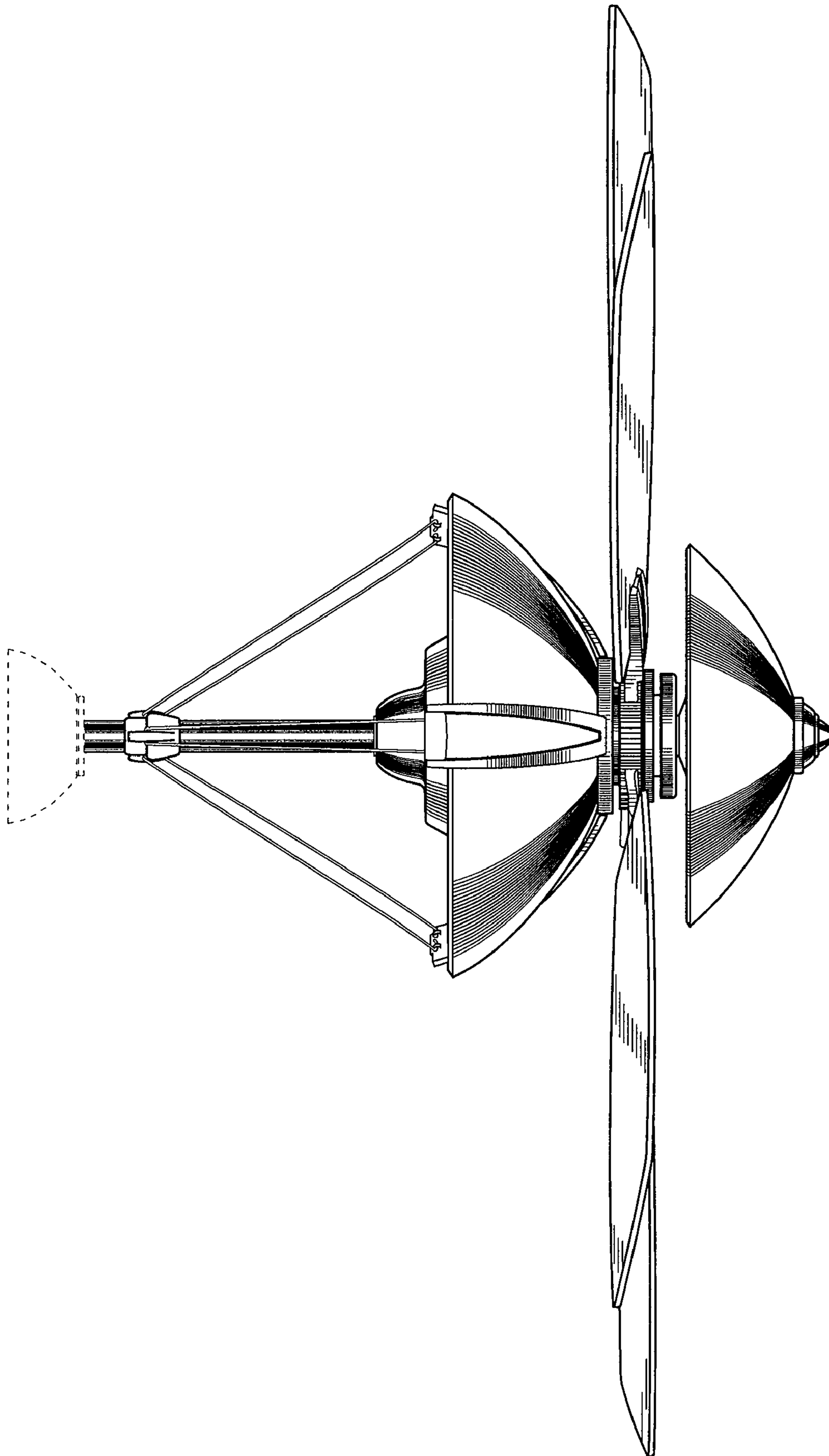


Fig.4

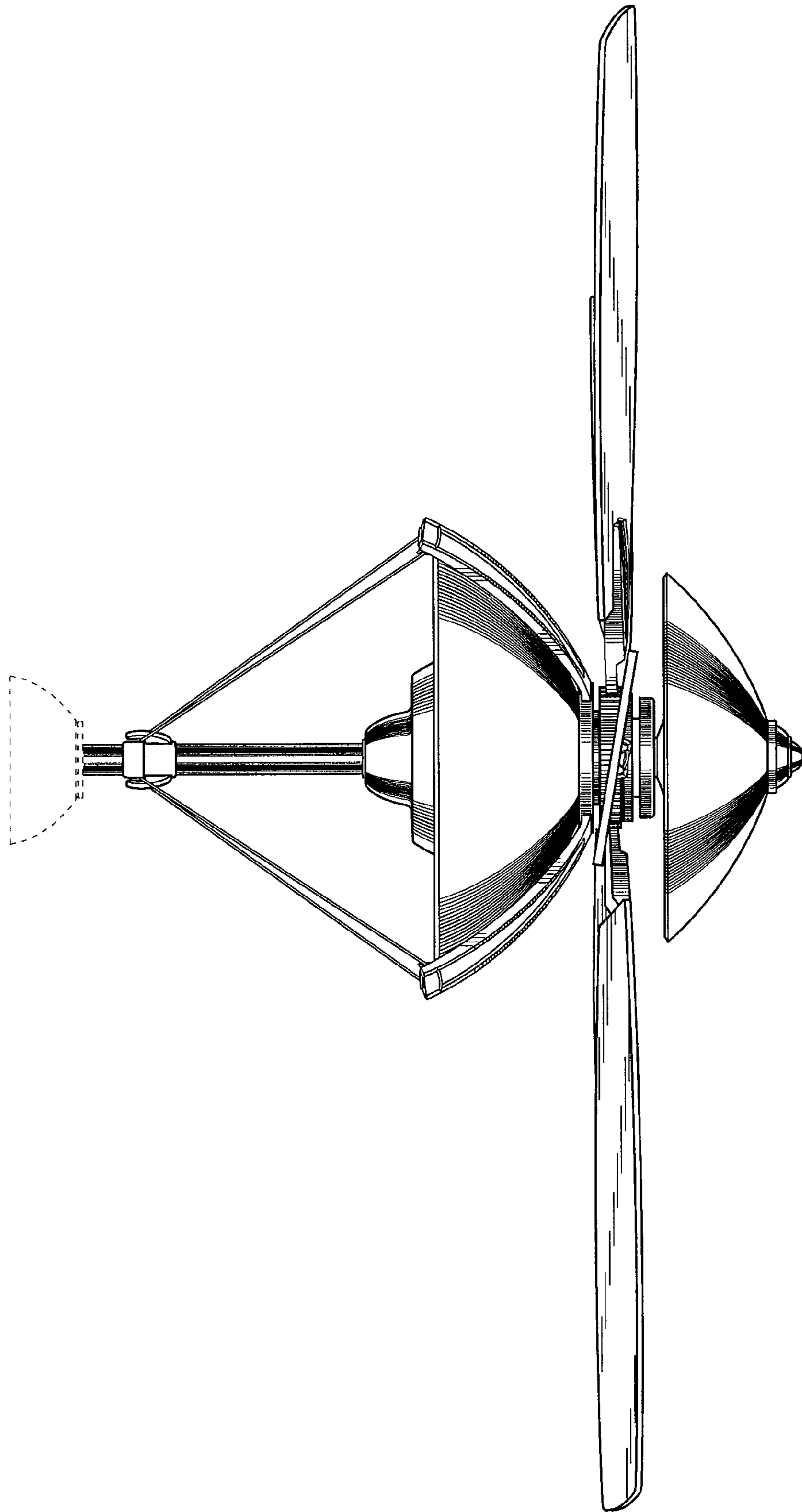


Fig.5

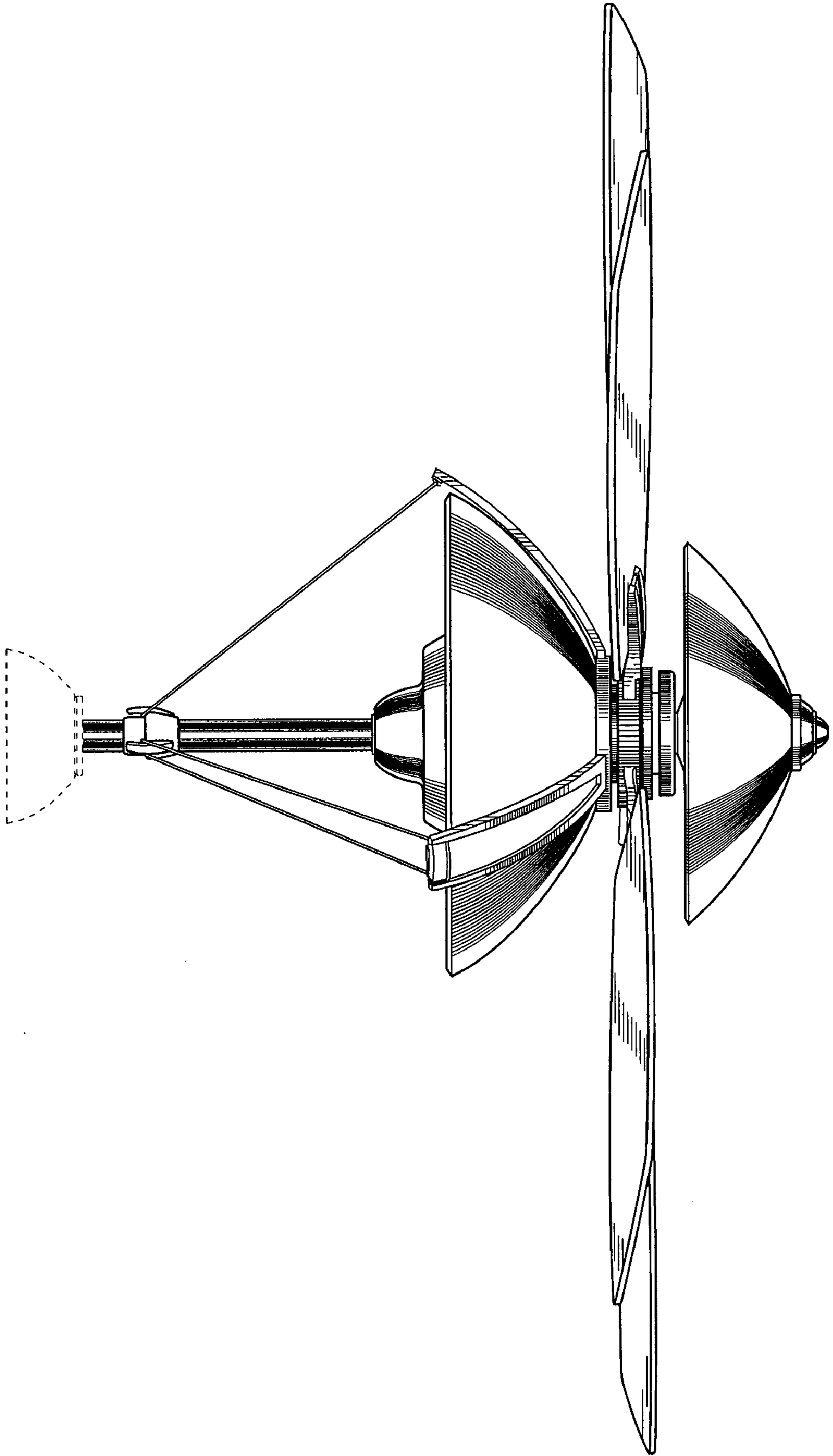


Fig.6