



US00D583039S

(12) **United States Design Patent**
Kay et al.

(10) **Patent No.:** **US D583,039 S**
(45) **Date of Patent:** **** Dec. 16, 2008**

(54) **AIR FRESHENER DEVICE**

(75) Inventors: **Peter Kay**, Warwick (GB); **Miles Rudling**, Bristol (GB); **Dai Sanders**, Warwick (GB); **Dan Tyce**, Warwick (GB)

(73) Assignee: **Reckitt Benckiser (UK) Limited**, Slough, Berkshire (GB)

(**) Term: **14 Years**

(21) Appl. No.: **29/317,070**

(22) Filed: **Apr. 22, 2008**

(51) **LOC (8) Cl.** **28-99**

(52) **U.S. Cl.** **D23/366**

(58) **Field of Classification Search** D23/355-396;
261/DIG. 17, DIG. 43, DIG. 65, DIG. 88,
261/DIG. 89; 239/34, 35, 53, 56, 57, 60,
239/136, 326; 392/386, 394, 395; D28/5,
D28/6

See application file for complete search history.

(56) **References Cited**

U.S. PATENT DOCUMENTS

D535,004 S * 1/2007 Furner et al. D23/366
D538,915 S * 3/2007 Anderson et al. D23/366
D546,434 S * 7/2007 Barraclough D23/366

D548,317 S * 8/2007 Newton et al. D23/366
D561,884 S * 2/2008 Furner et al. D23/366
D561,885 S * 2/2008 Furner et al. D23/366
D561,886 S * 2/2008 Furner et al. D23/366
D567,920 S * 4/2008 Cantoni et al. D23/366
7,357,561 B2 * 4/2008 Hidalgo et al. 362/643
D568,978 S * 5/2008 Kennedy et al. D23/366

* cited by examiner

Primary Examiner—Sandra Snapp

(57) **CLAIM**

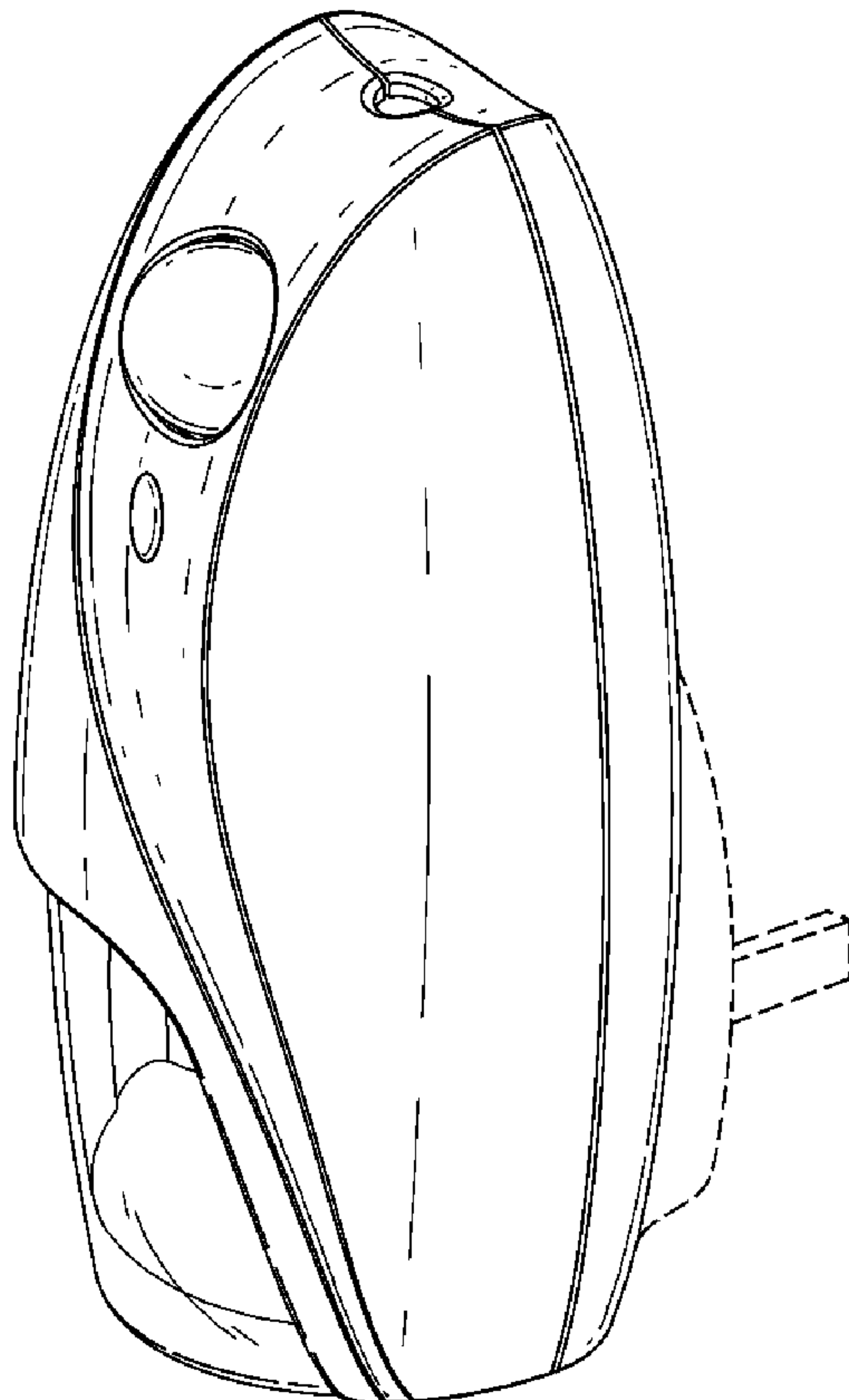
The ornamental design for an air freshener device, as shown and described.

DESCRIPTION

FIG. 1 is front perspective view of our air freshener device; FIG. 2 is an elevation view of the front thereof; FIG. 3 is an elevation view of the rear thereof; FIG. 4 is an elevation view of the left side thereof; FIG. 5 is an elevation view of the right side thereof; FIG. 6 is a plan view of the top thereof; and, FIG. 7 is a plan view of the bottom thereof.

The broken lines shown are for illustrative purposes only and form no part of the claimed design.

1 Claim, 2 Drawing Sheets



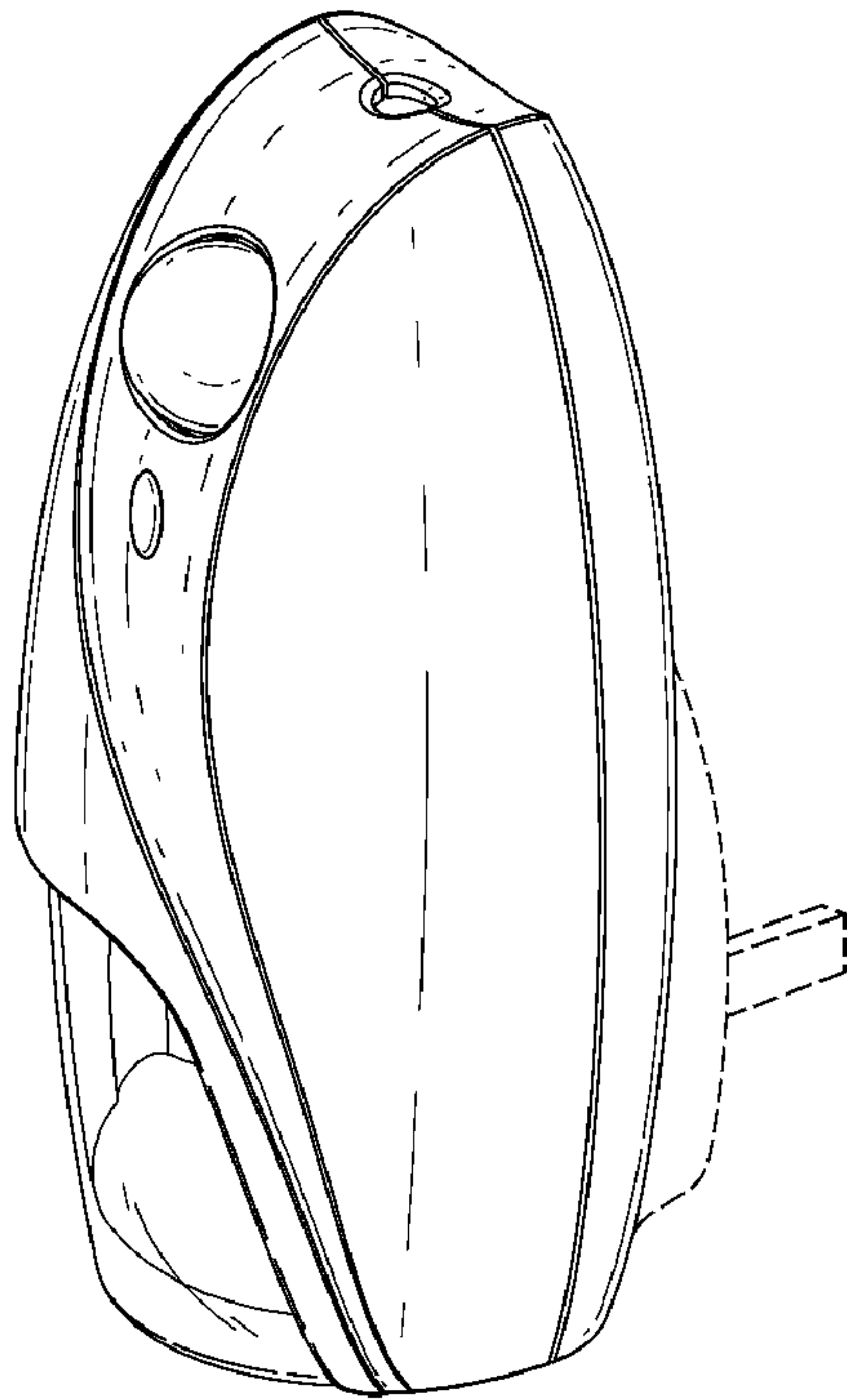


Fig.1.

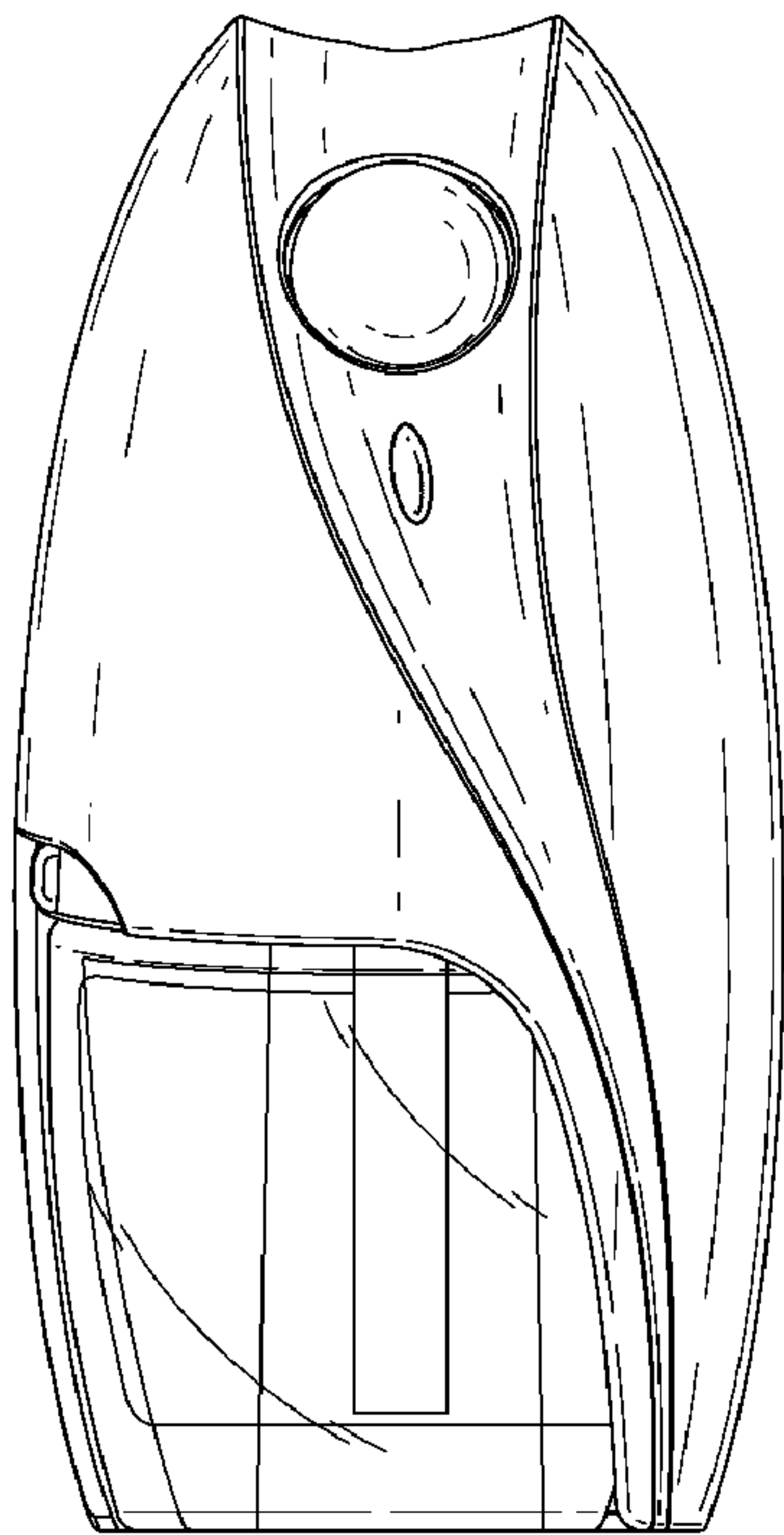


Fig.2.

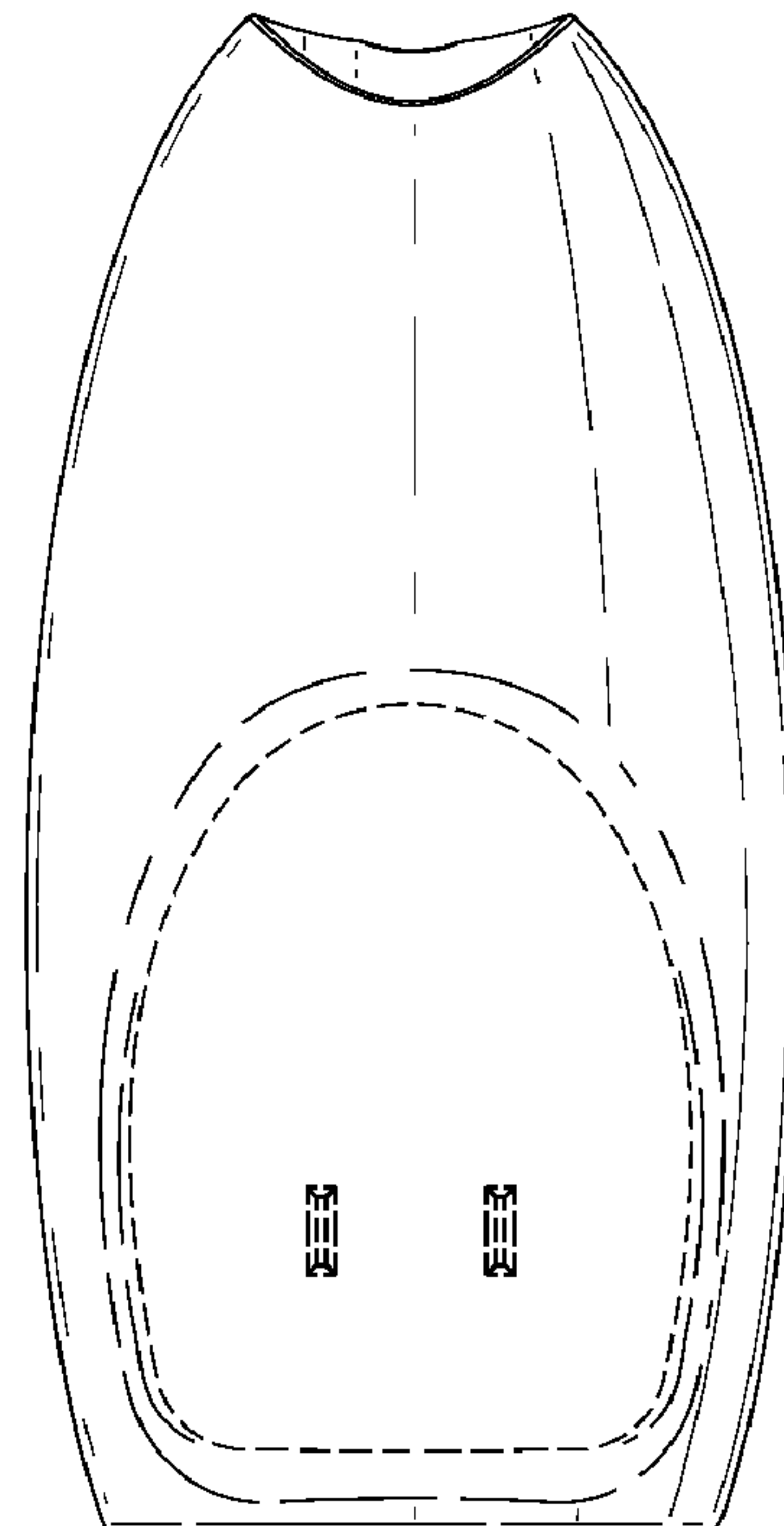


Fig.3.

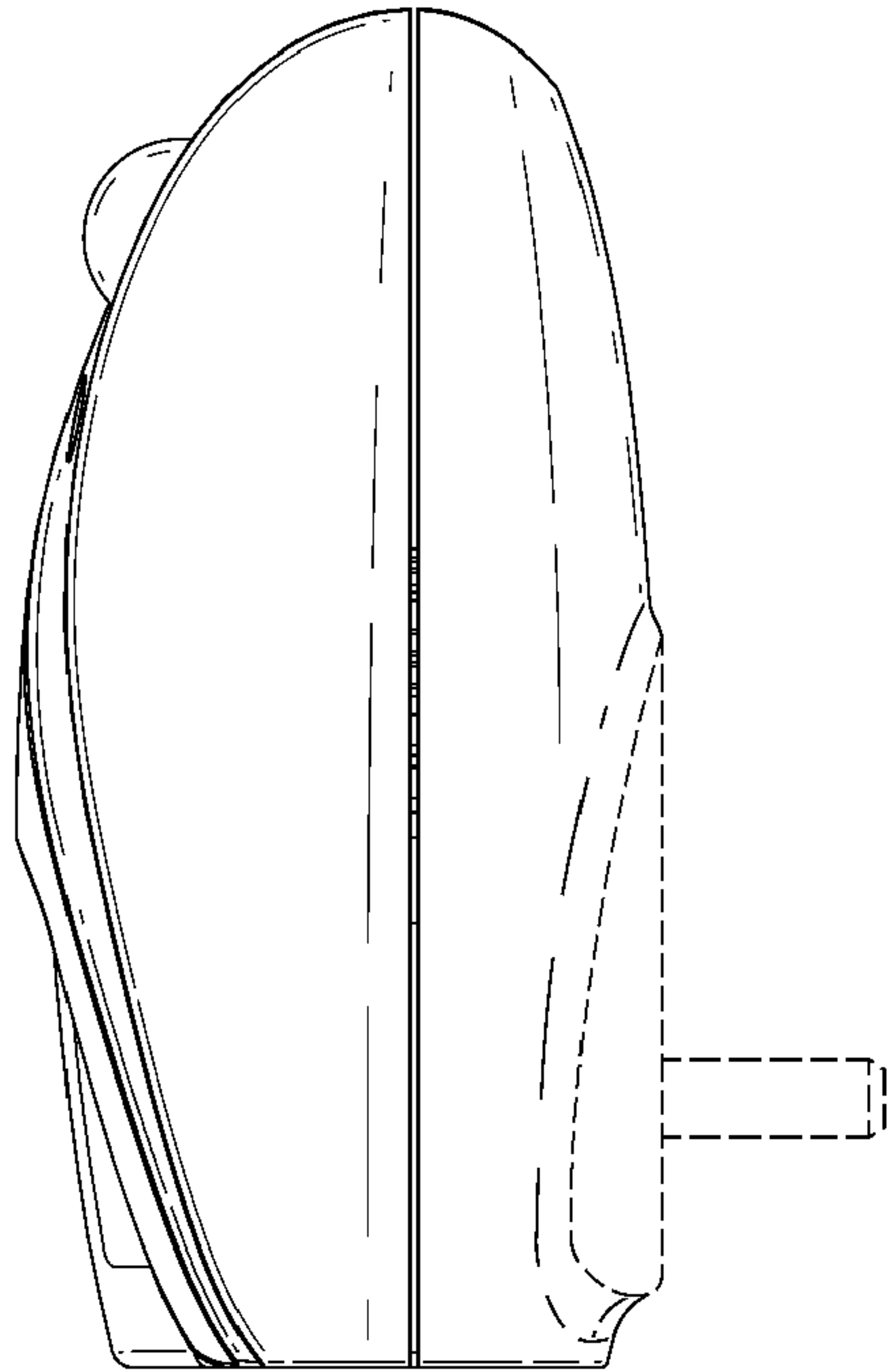


Fig.4.

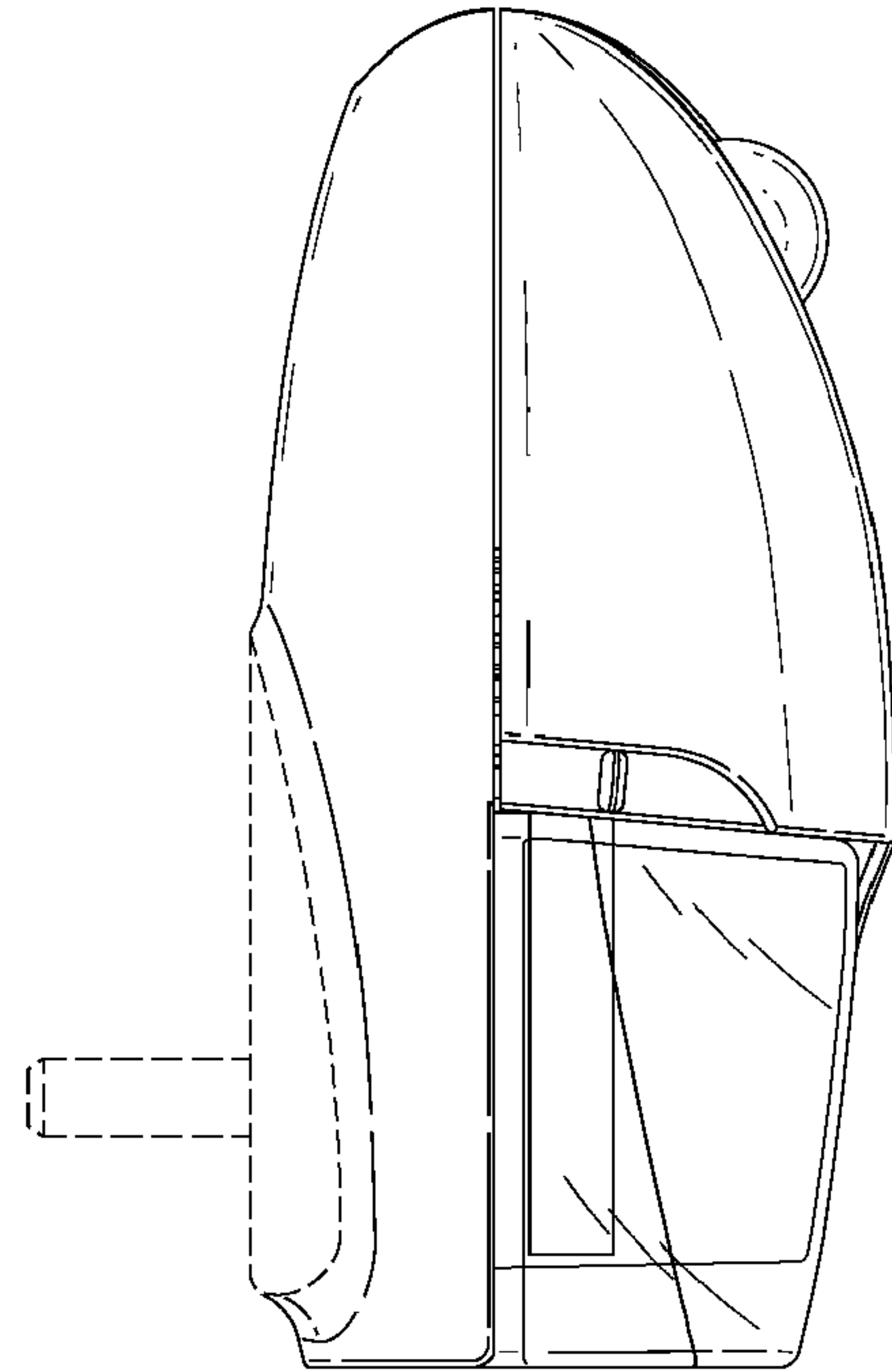


Fig.5.

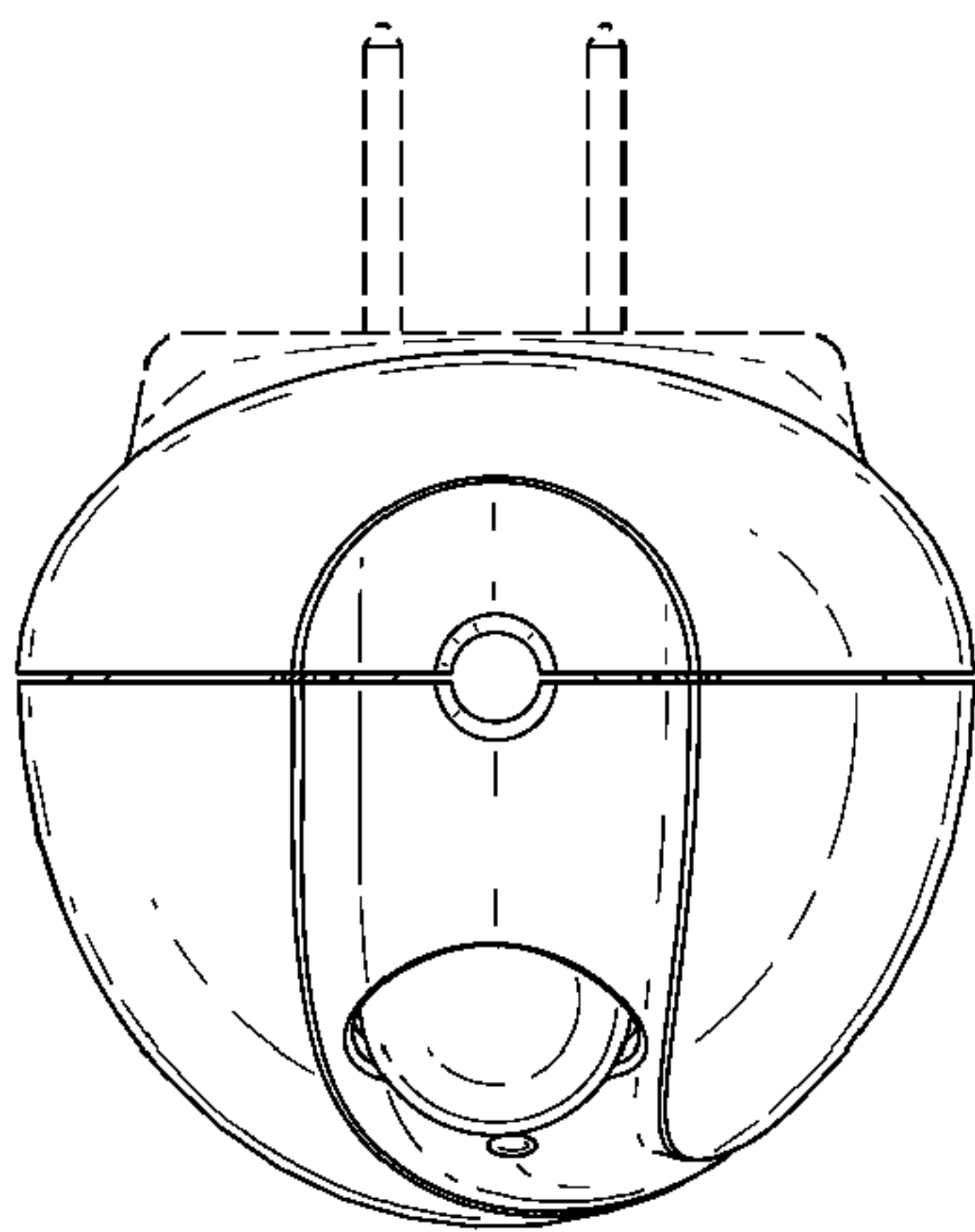


Fig.6.

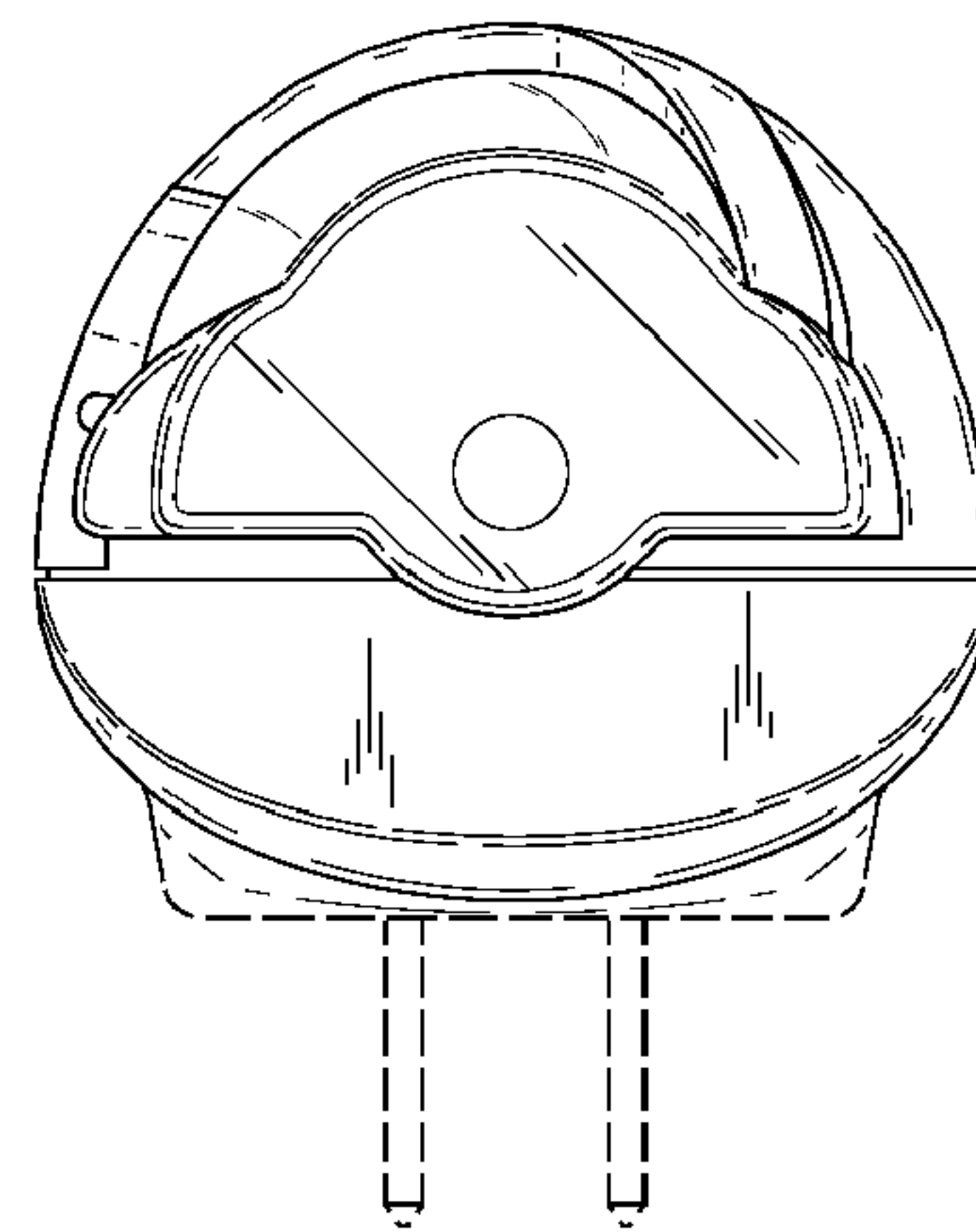


Fig.7.