



US00D583033S

(12) **United States Design Patent**
Jones et al.

(10) **Patent No.:** **US D583,033 S**
(45) **Date of Patent:** **** Dec. 16, 2008**

(54) **TANK LEVER**

(76) Inventors: **Chad H. Jones**, 5390 Park Ridge Dr., Frisco, TX (US) 75034; **Stephen L. Fillipp**, 6308 Knoxville Dr., Lubbock, TX (US) 79413

(**) Term: **14 Years**

(21) Appl. No.: **29/297,696**

(22) Filed: **Nov. 15, 2007**

(51) **LOC (8) Cl.** **23-02**

(52) **U.S. Cl.** **D23/309**

(58) **Field of Classification Search** D23/301, D23/303, 309; 4/300, 352-353; D8/320
See application file for complete search history.

(56) **References Cited**

U.S. PATENT DOCUMENTS

D509,569 S * 9/2005 Svendsen et al. D23/252
D568,141 S * 5/2008 Hanes D8/320

* cited by examiner

Primary Examiner—Robert A Delehanty

(74) *Attorney, Agent, or Firm*—Cash Klemchuk Powers Taylor LLP; Keith E. Taber; Darin M. Klemchuk

(57) **CLAIM**

The ornamental design for a tank lever, as shown and described.

DESCRIPTION

FIG. 1 is a perspective view of the tank lever according to the present invention.

FIG. 2 is a front view of the tank lever according to the present invention.

FIG. 3 is a top view of the tank lever according to the present invention.

FIG. 4 is a bottom view of the tank lever according to the present invention.

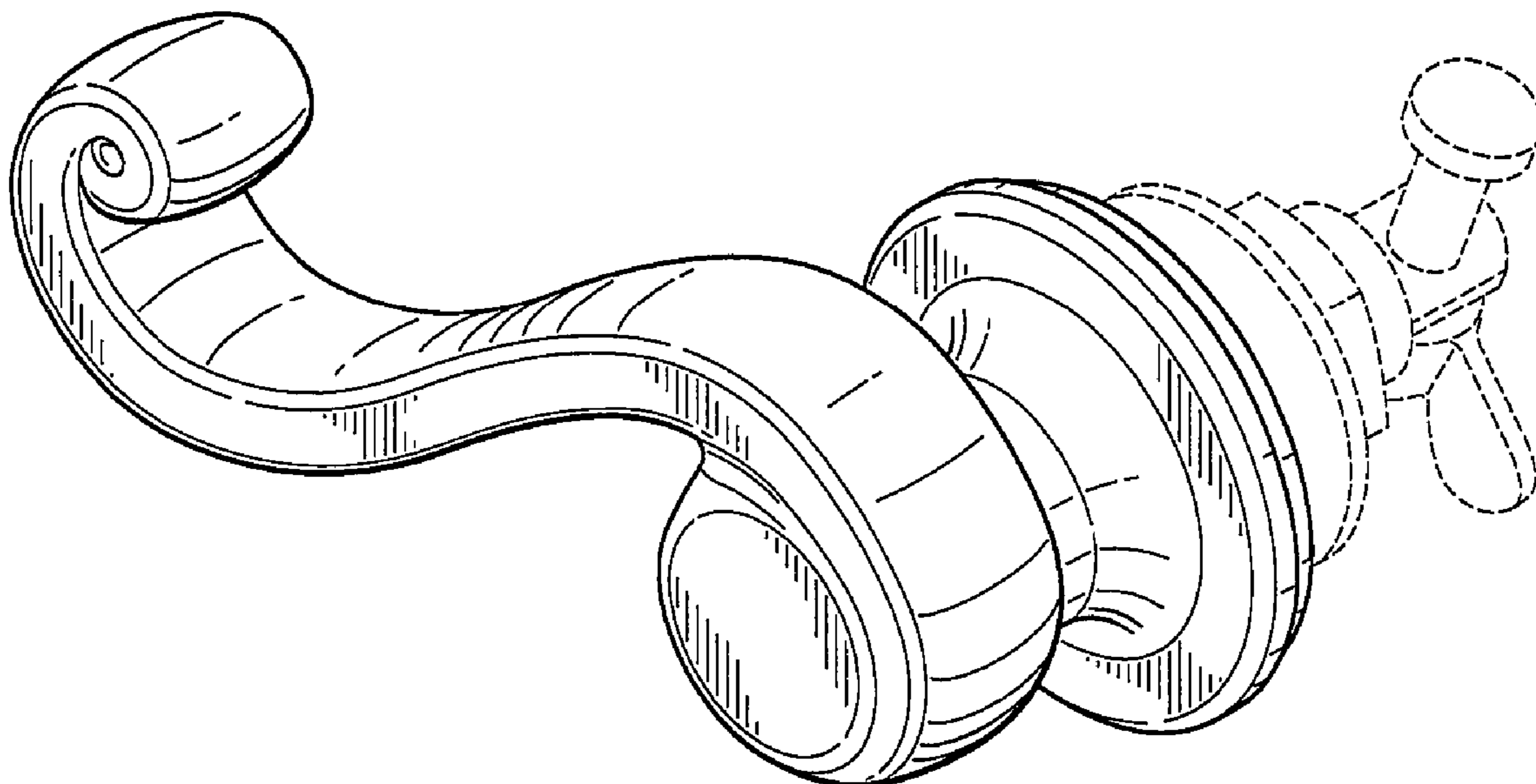
FIG. 5 is a left side view of the tank lever according to the present invention.

FIG. 6 is a right side view of the tank lever according to the present invention; and,

FIG. 7 is a back view of the tank lever according to the present invention.

The broken lines shown on the drawings are for illustrative purposes only and form no part of the claimed design.

1 Claim, 2 Drawing Sheets



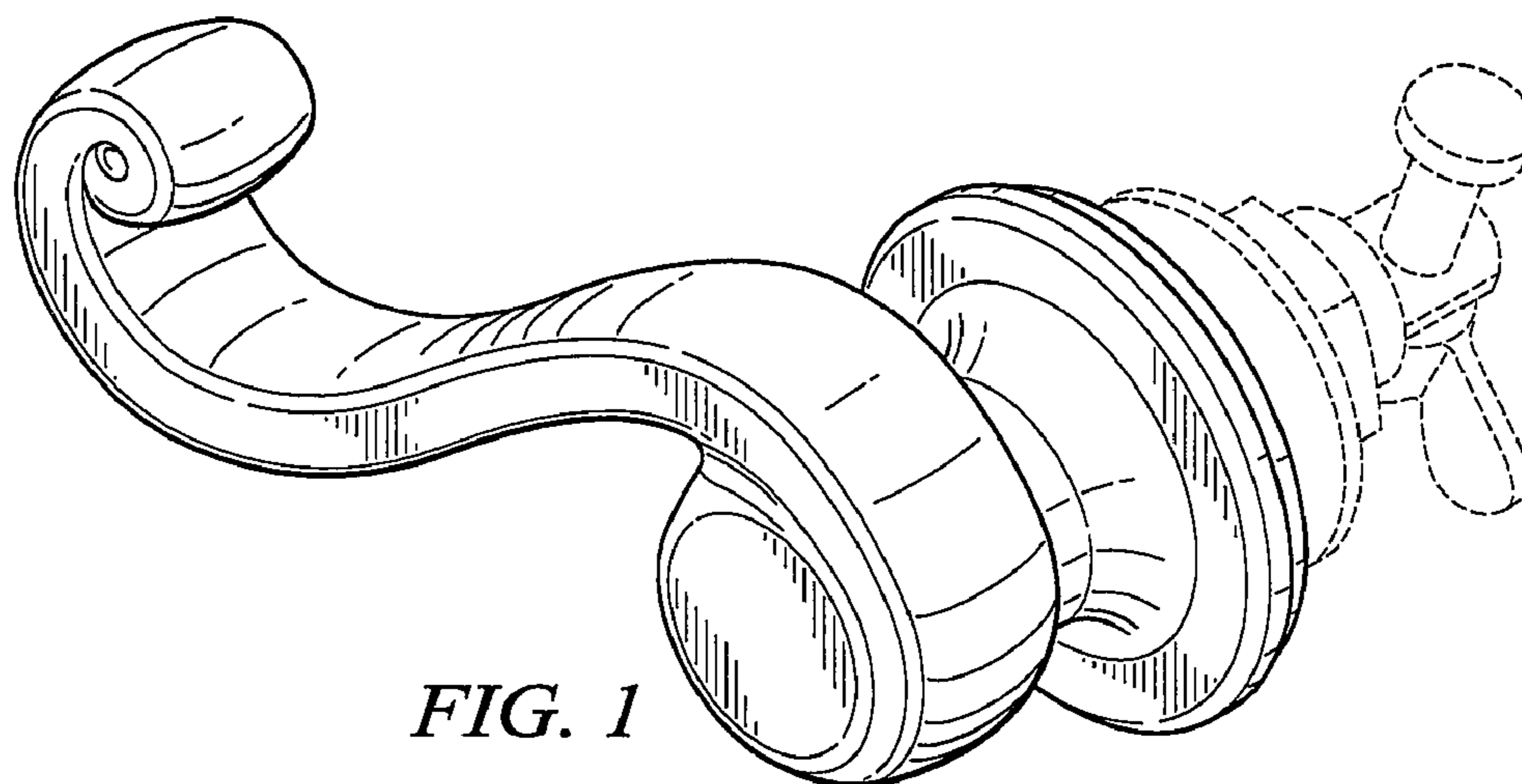


FIG. 1

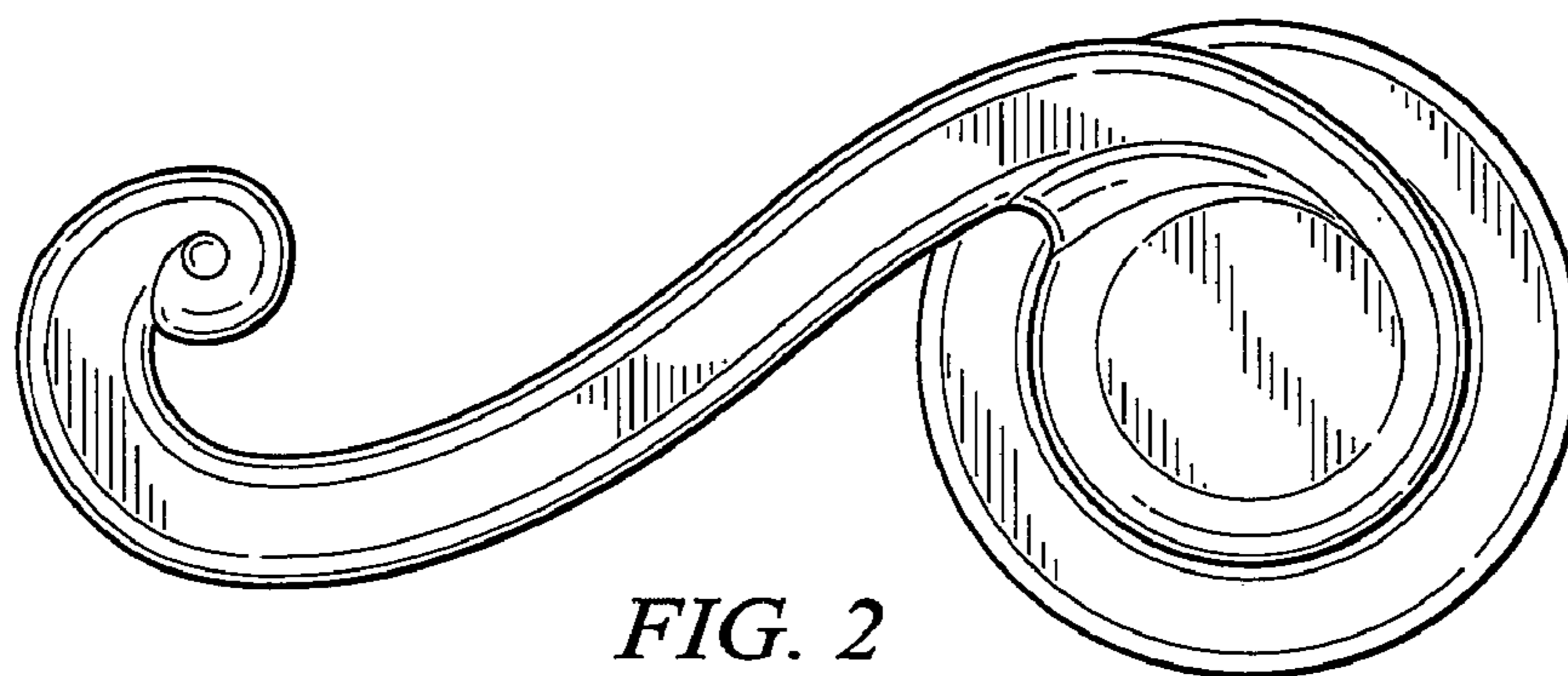


FIG. 2

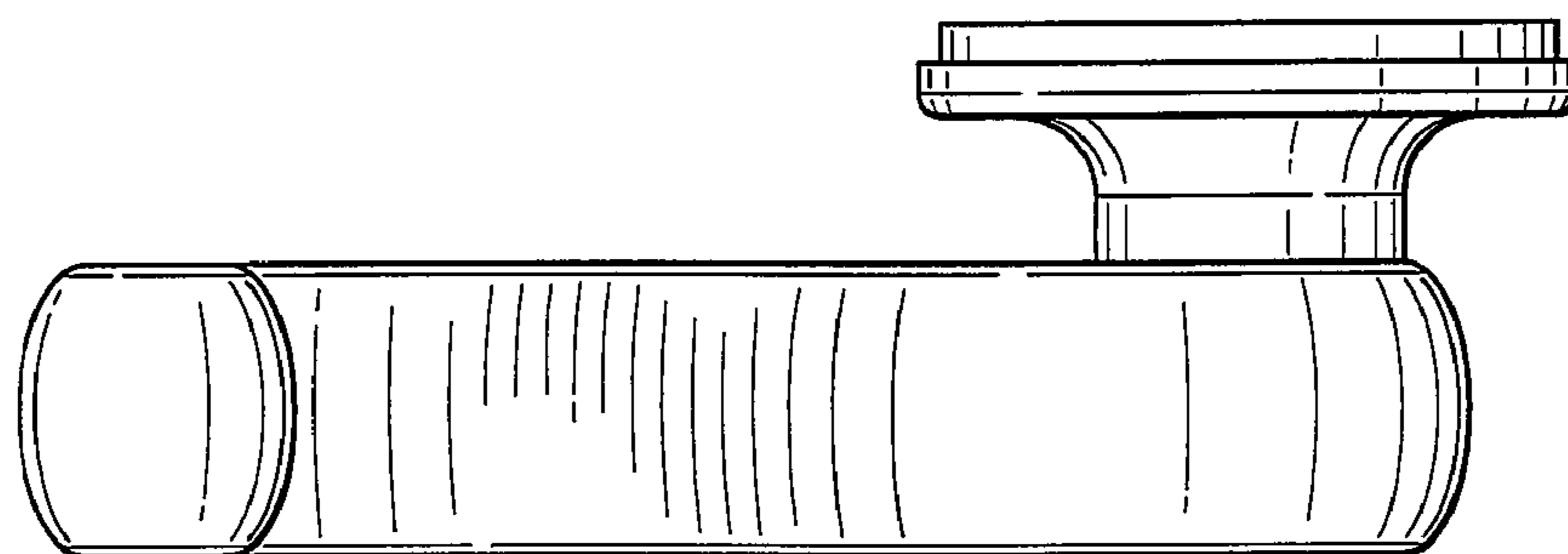


FIG. 3

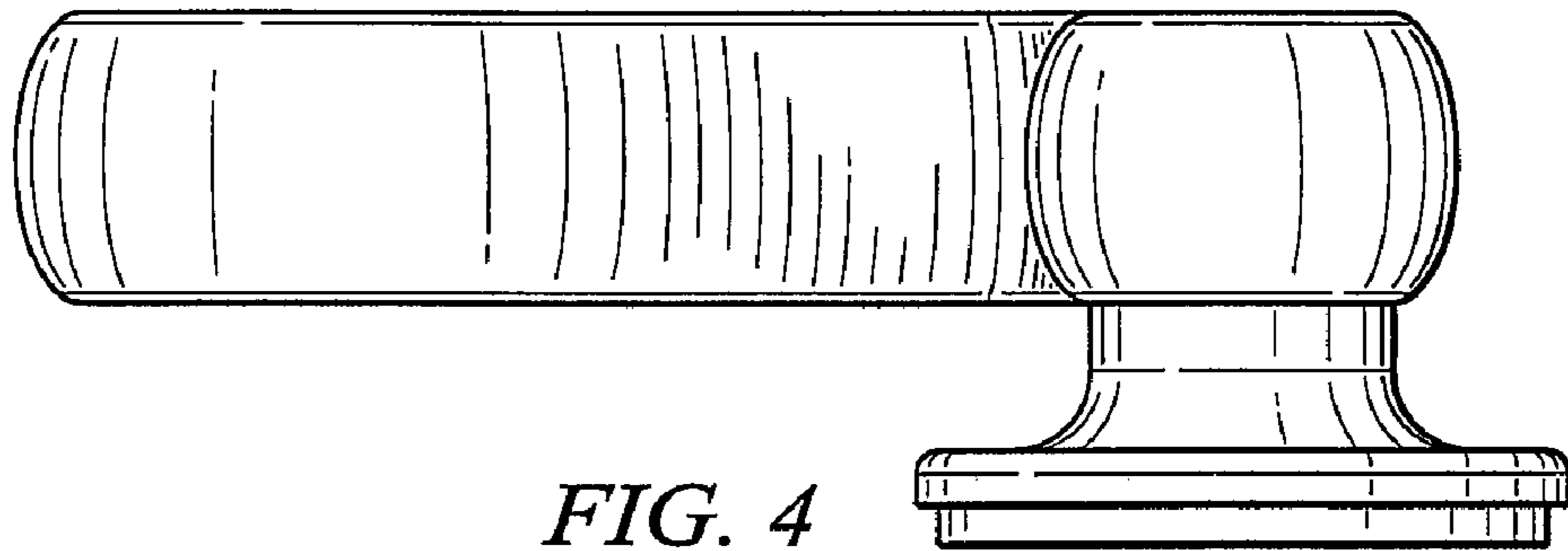


FIG. 4

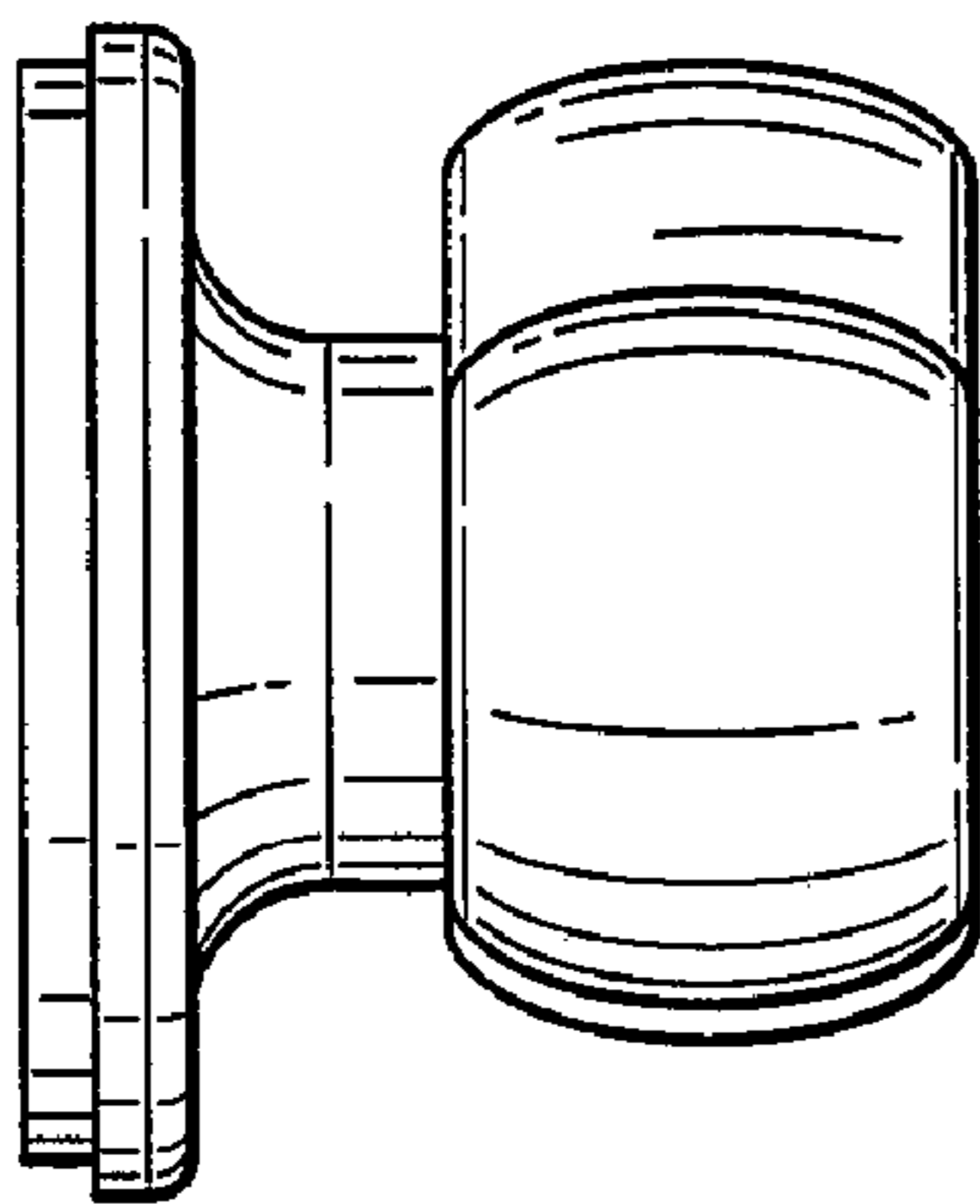


FIG. 5

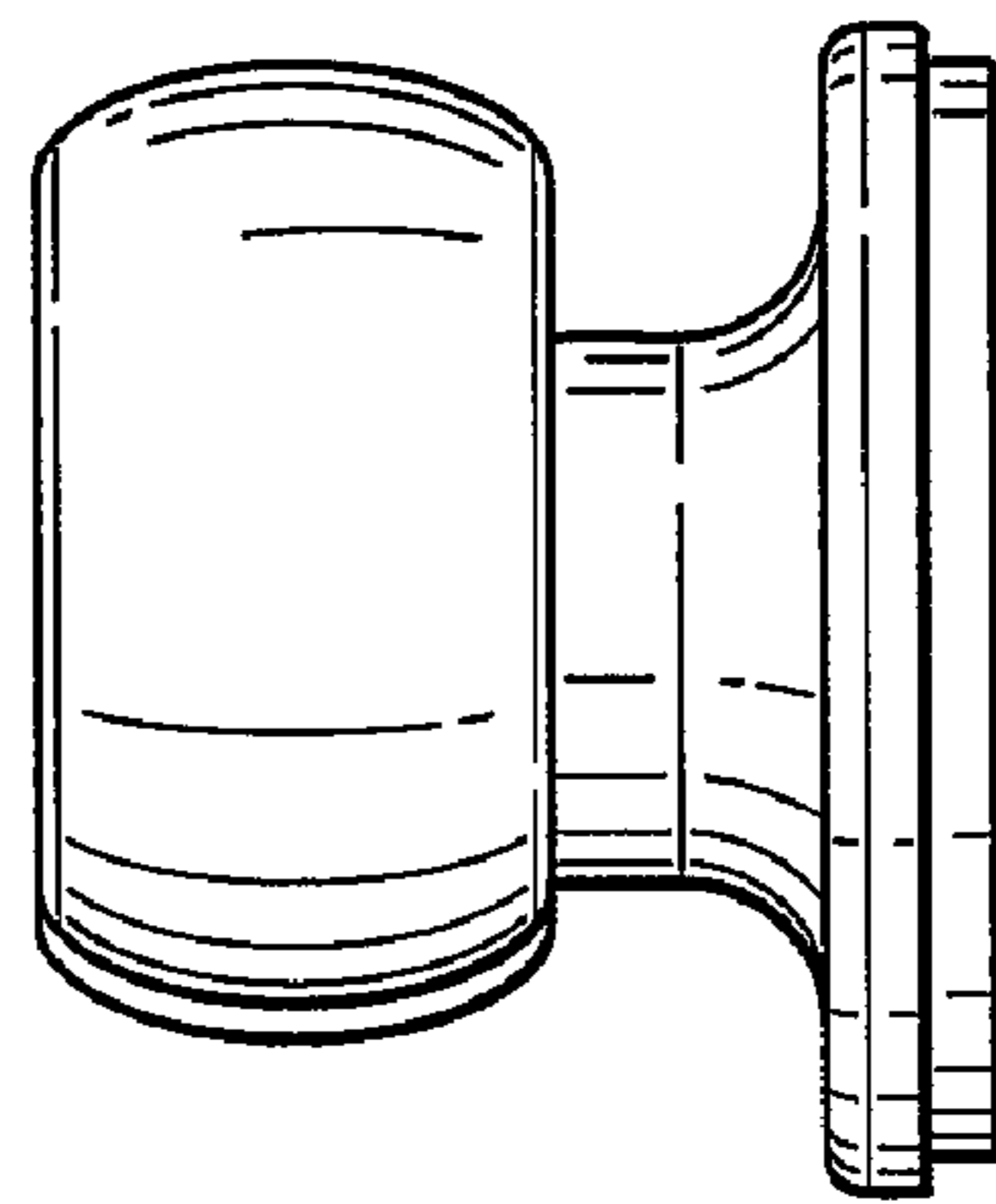


FIG. 6

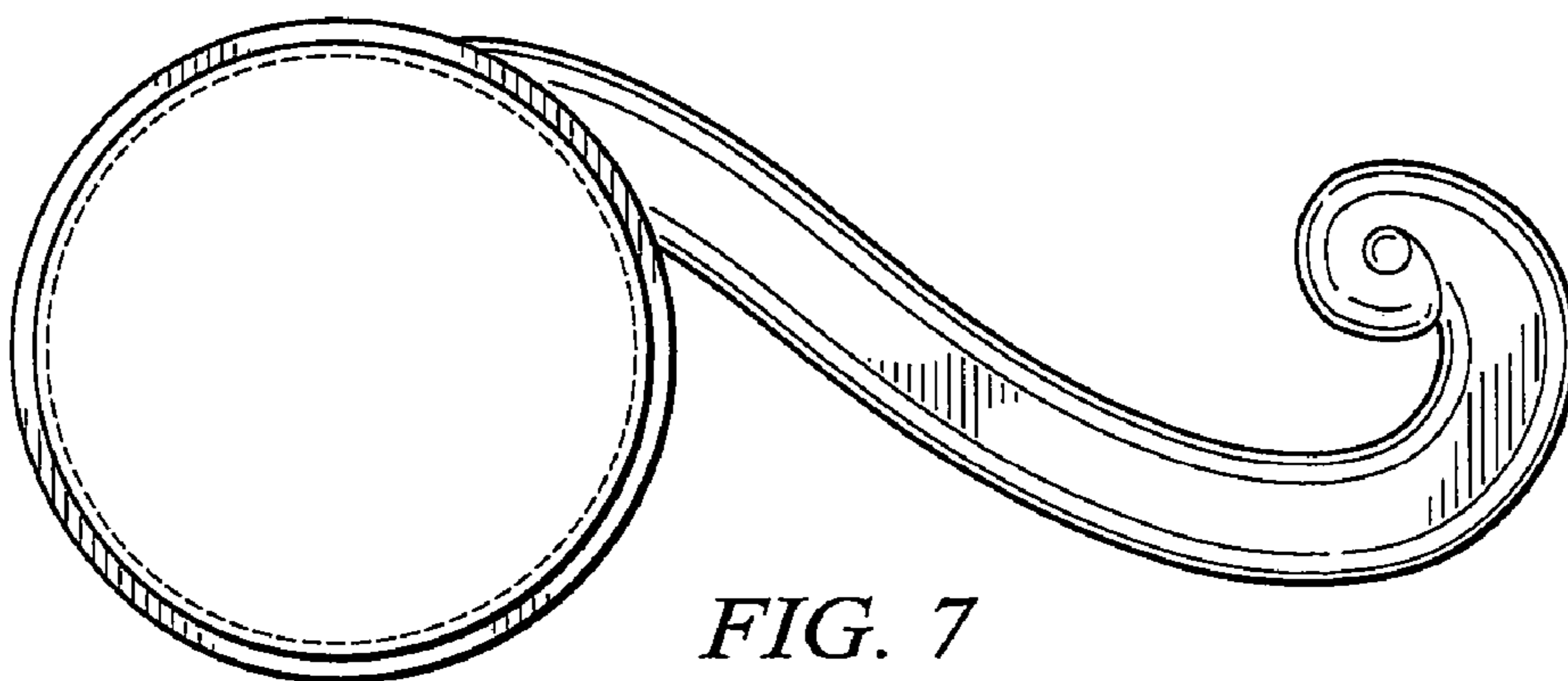


FIG. 7