



US00D583030S

(12) **United States Design Patent**  
**Kobayashi et al.**

(10) **Patent No.:** **US D583,030 S**

(45) **Date of Patent:** **\*\* Dec. 16, 2008**

(54) **COMBINED WATER CLOSET AND PRIVATE PART WASHING DEVICE**

D382,947 S \* 8/1997 Kawamura et al. .... D23/295  
6,964,068 B2 \* 11/2005 Shiraki et al. .... 4/444

(75) Inventors: **Jiro Kobayashi**, Kadoma (JP); **Masaaki Taika**, Kadoma (JP); **Naoto Fukasawa**, Tokyo (JP)

\* cited by examiner

*Primary Examiner*—Robert A Delehanty  
(74) *Attorney, Agent, or Firm*—Osha • Liang LLP

(73) Assignee: **Panasonic Electric Works IP Center Co., Ltd.**, Osaka (JP)

(57) **CLAIM**

The ornamental design for a combined water closet and private part washing device, as shown and described.

(\*\*) Term: **14 Years**

(21) Appl. No.: **29/285,960**

**DESCRIPTION**

(22) Filed: **Apr. 16, 2007**

FIG. 1 is a perspective view of the top, front and left side of a combined water closet and private part washing device showing our new design;

(30) **Foreign Application Priority Data**

Oct. 16, 2006 (JP) ..... 2006-027818

FIG. 2 is a front view thereof;

FIG. 3 is a rear view thereof;

(51) **LOC (8) Cl.** ..... **23-02**

(52) **U.S. Cl.** ..... **D23/295**

(58) **Field of Classification Search** ..... D23/273-274,  
D23/295-299, 303, 309; 4/663-664, 300,  
4/312, 329, 348, 352-353

FIG. 4 is the top plan view thereof;

FIG. 5 is a bottom view thereof;

FIG. 6 is a left side view thereof;

FIG. 7 is a right side view thereof; and

See application file for complete search history.

FIG. 8 is a reduced perspective view with the lid in open condition; and,

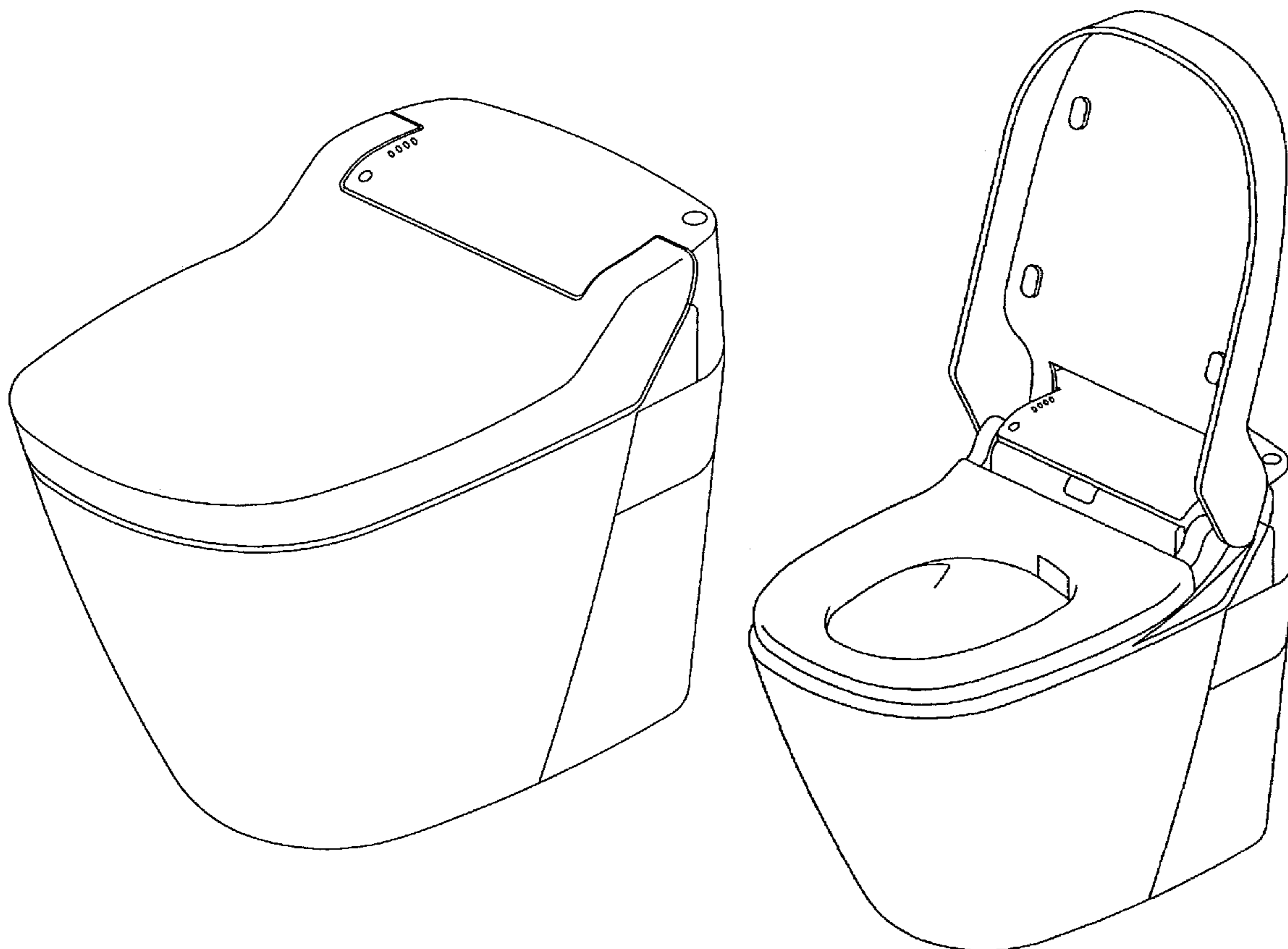
FIG. 9 is a cross section view thereof.

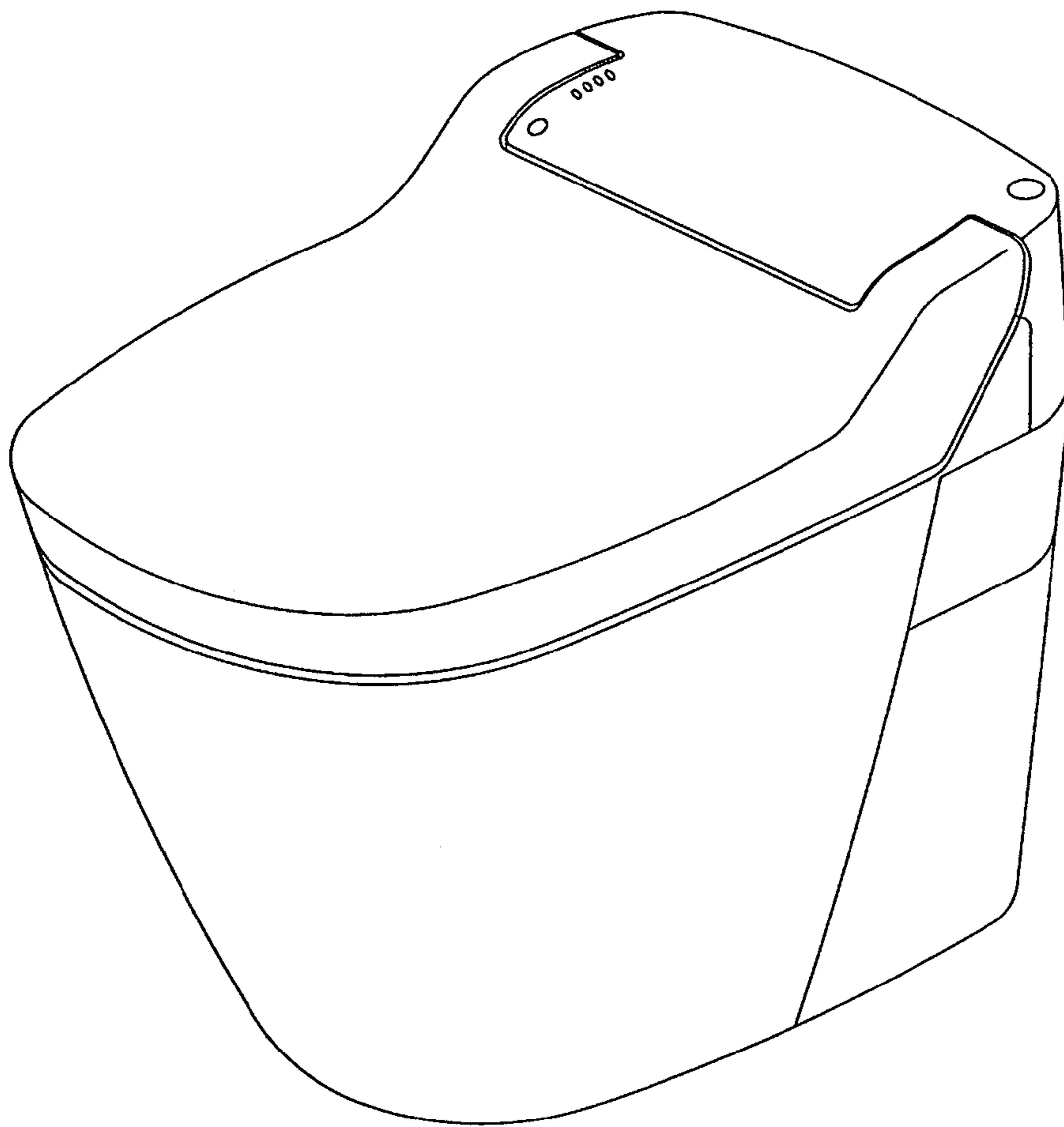
(56) **References Cited**

**U.S. PATENT DOCUMENTS**

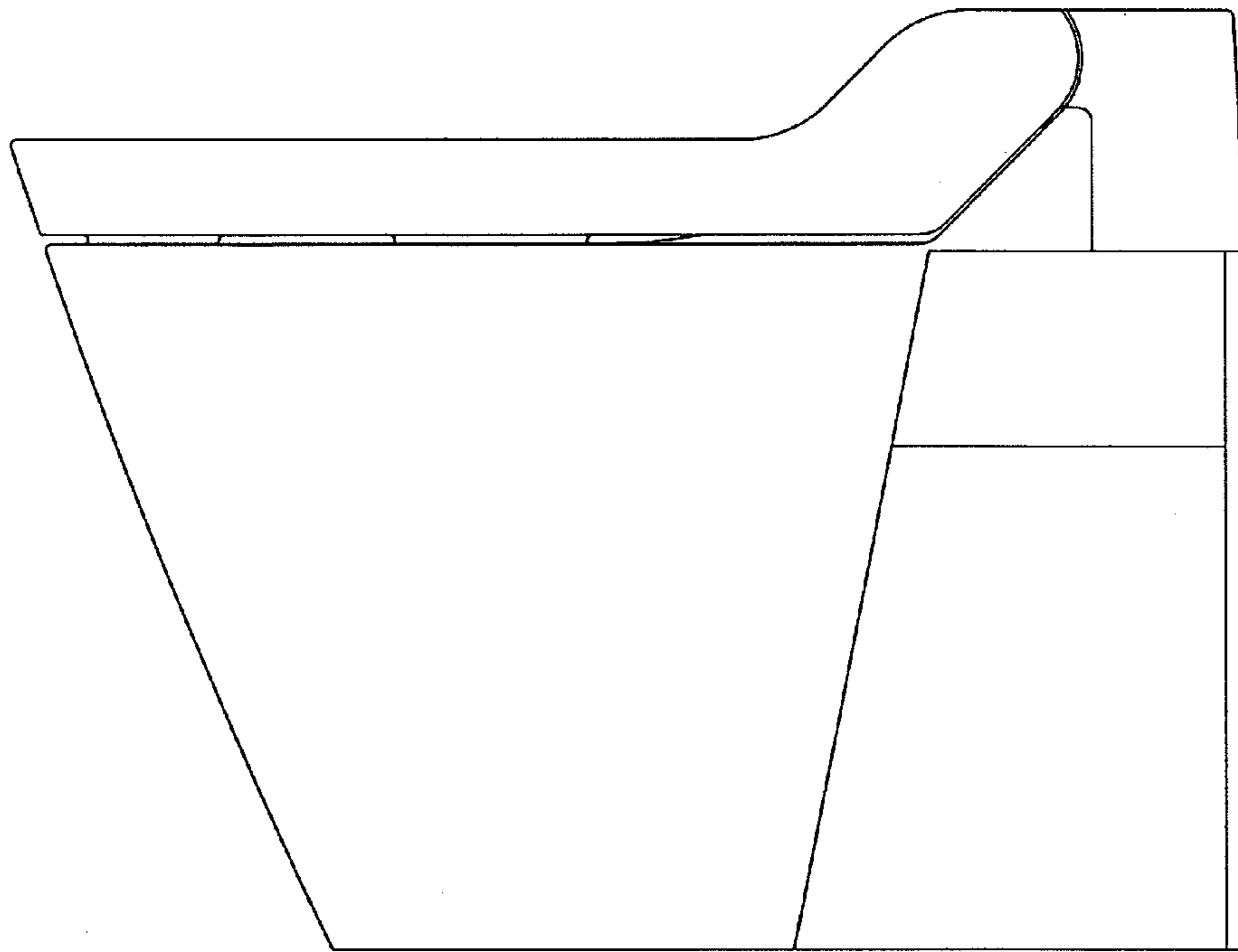
D382,325 S \* 8/1997 Kawamura et al. .... D23/295

**1 Claim, 6 Drawing Sheets**

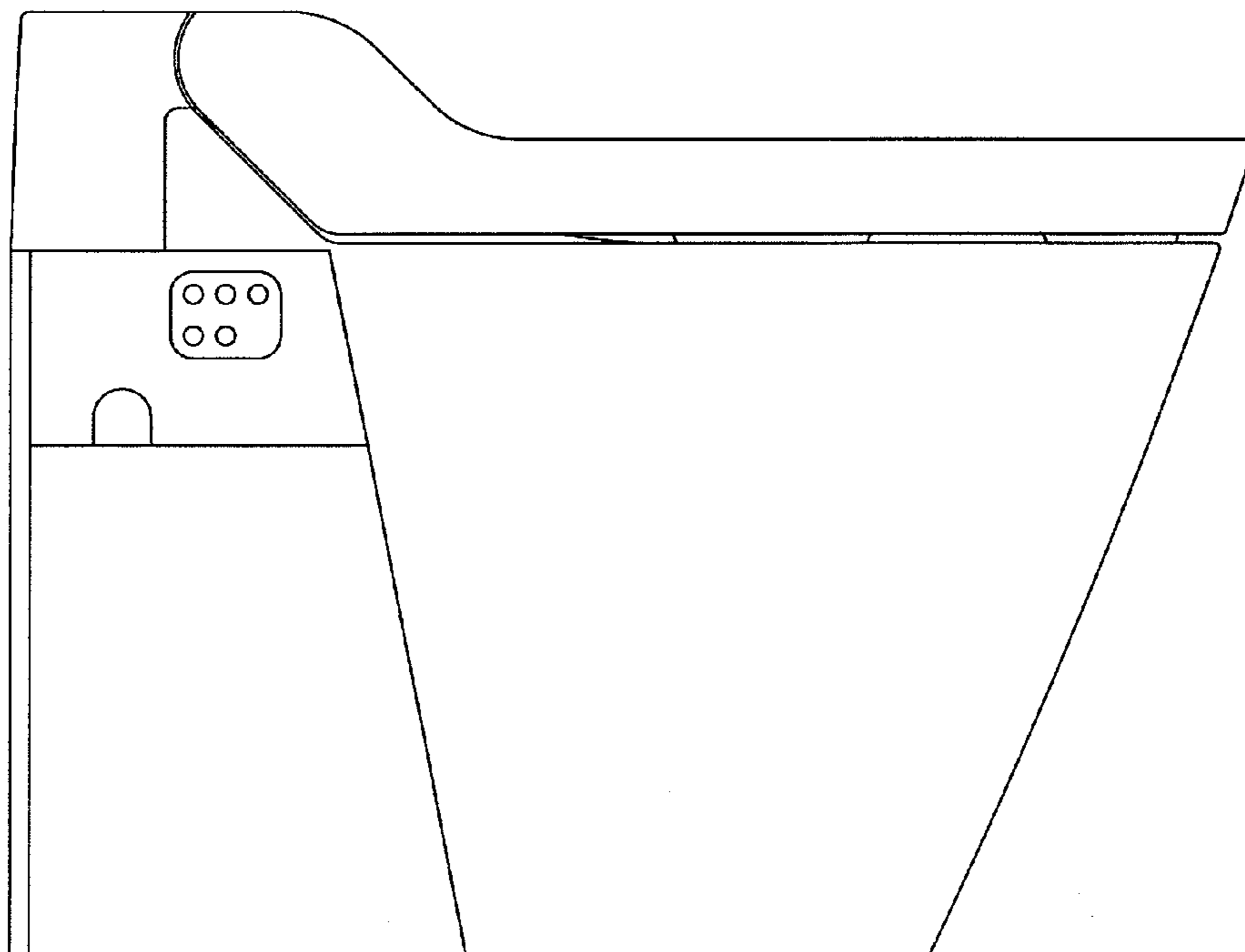




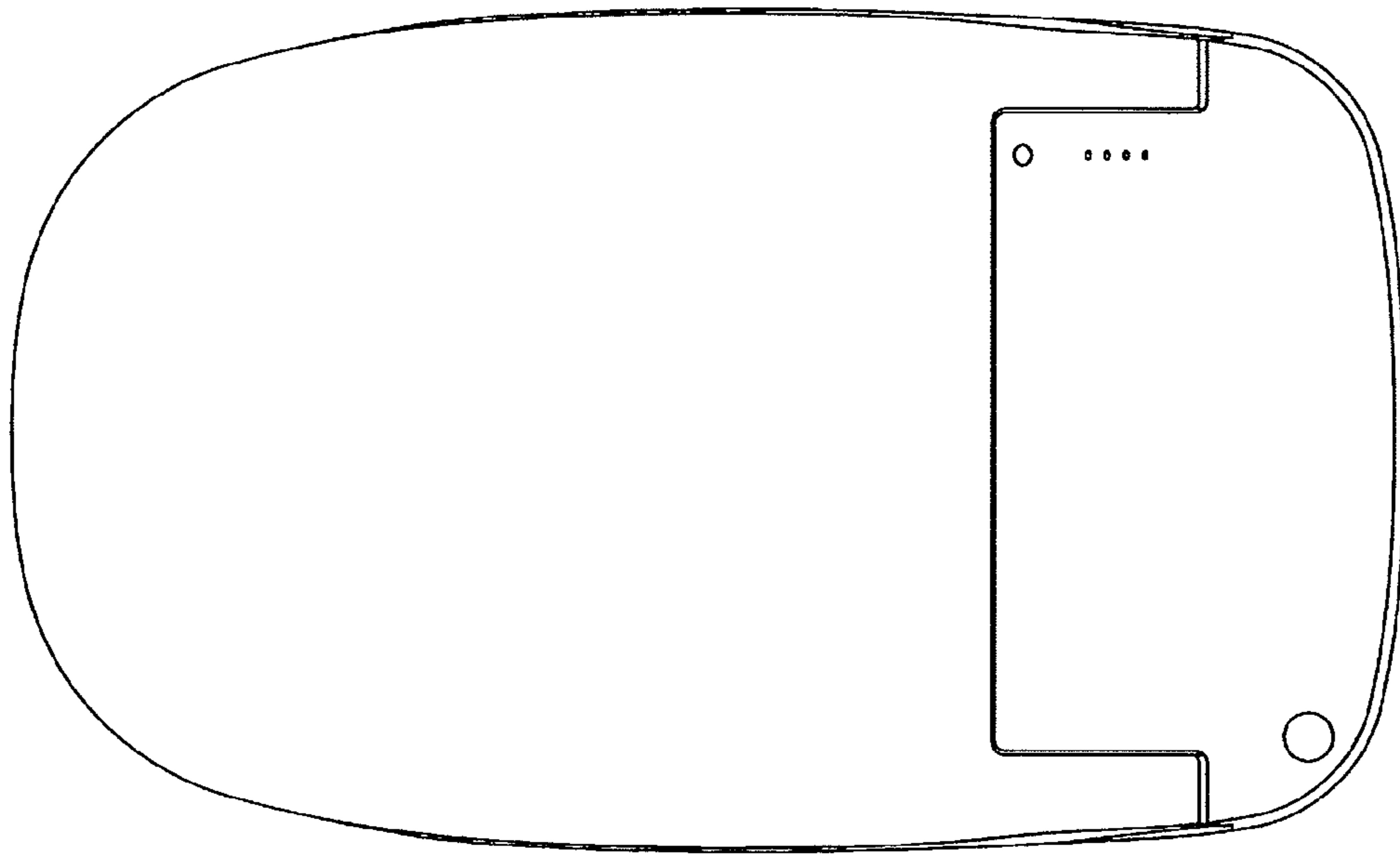
**FIG. 1**



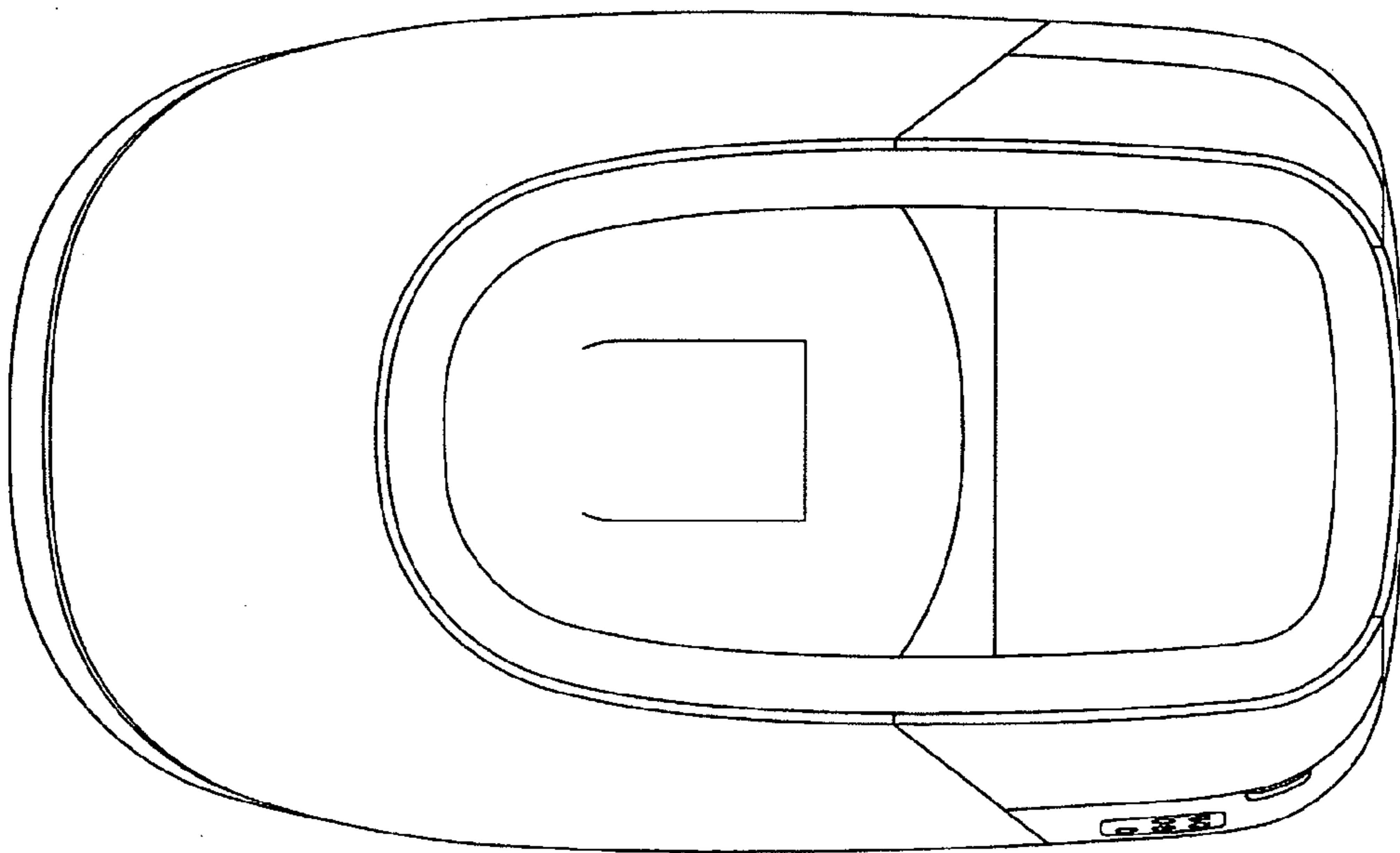
*FIG. 2*



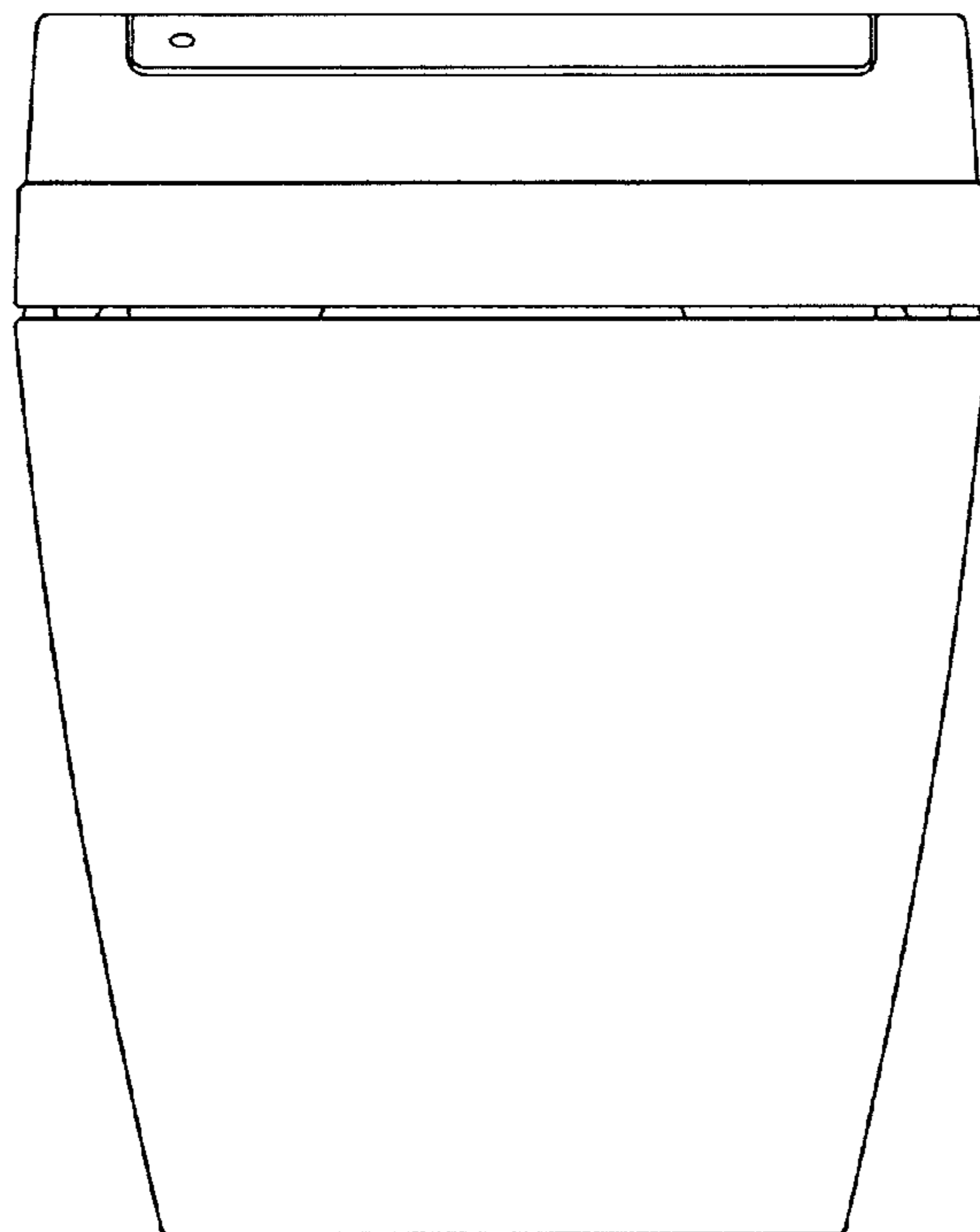
*FIG. 3*



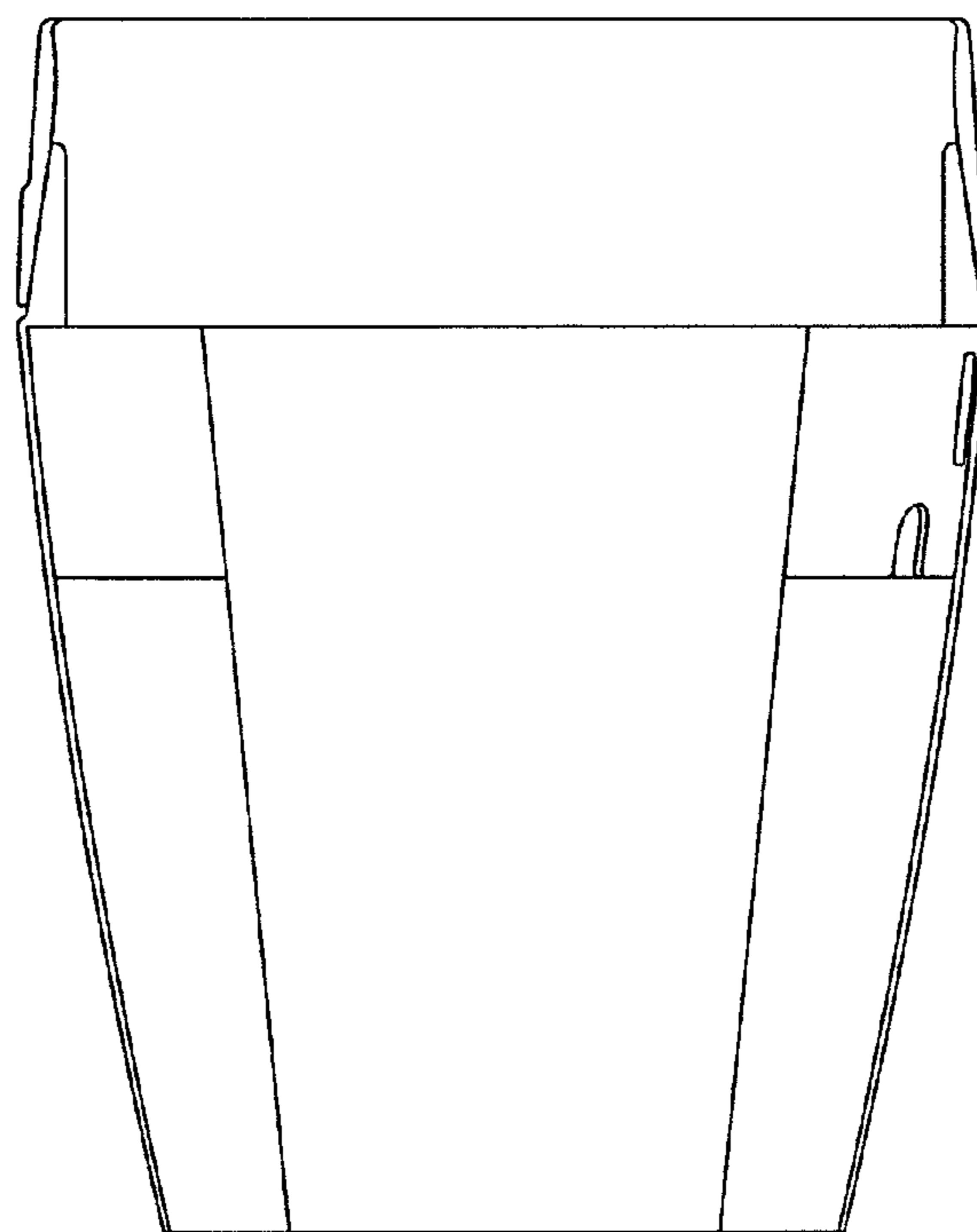
*FIG. 4*



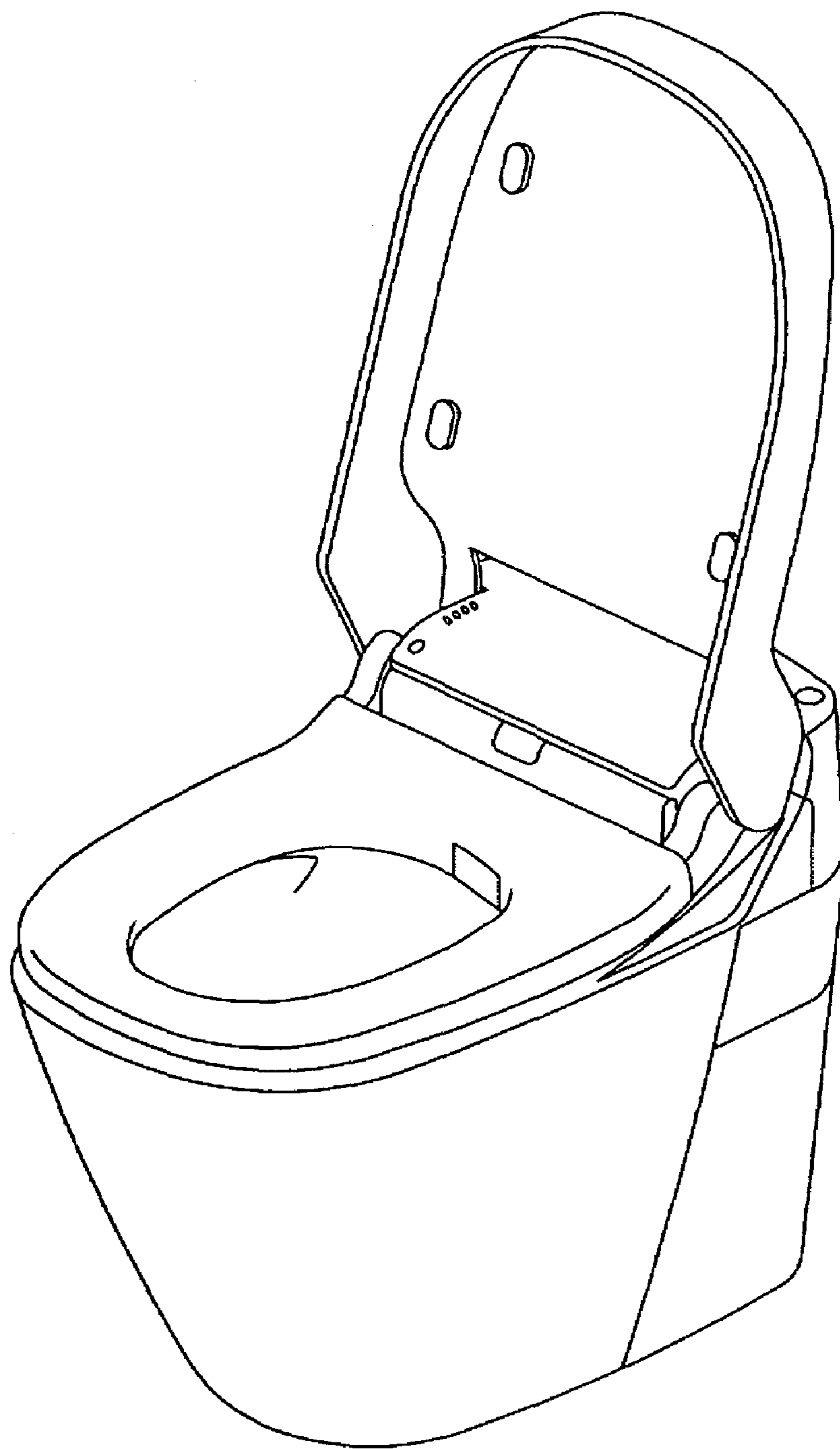
*FIG. 5*



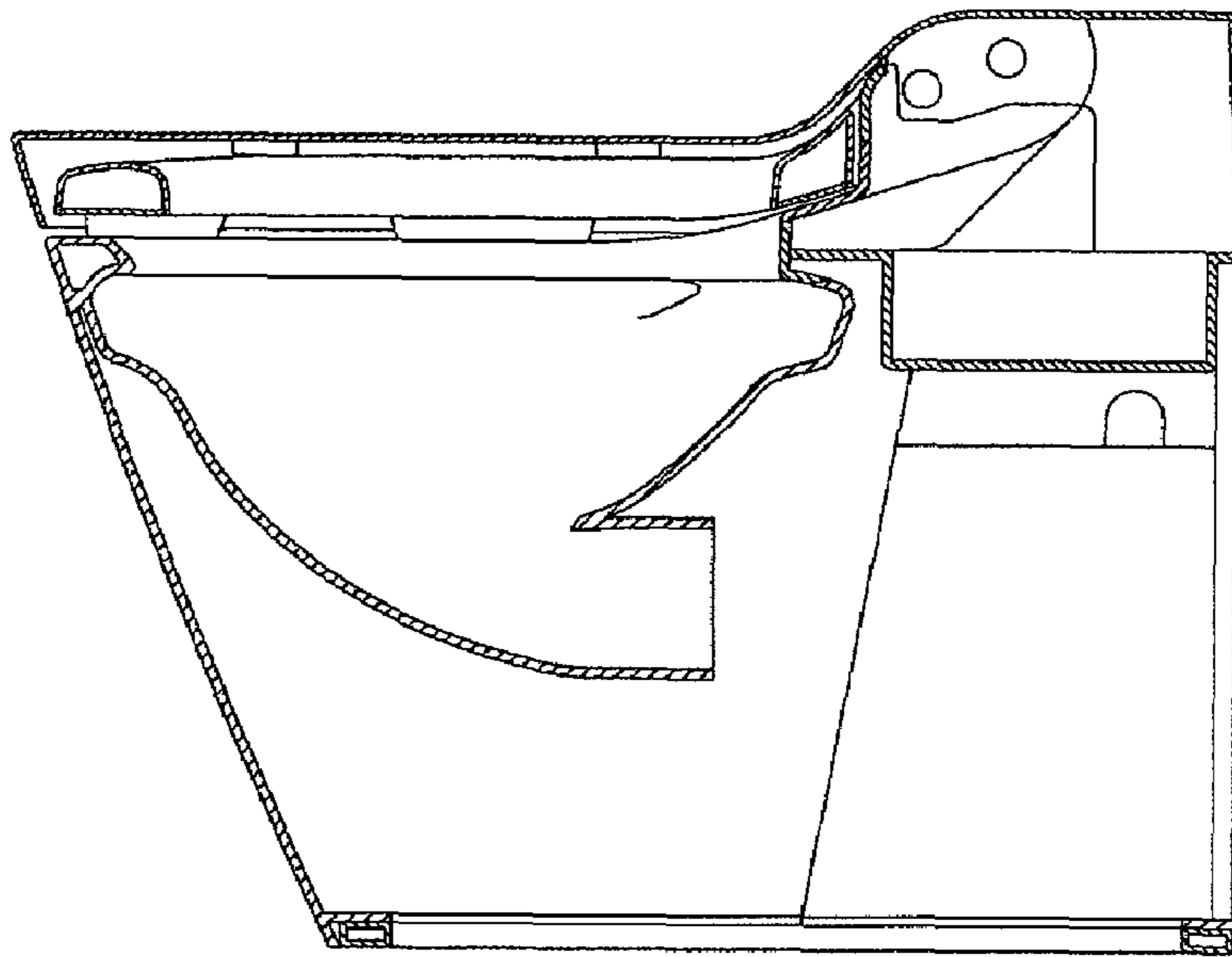
*FIG. 6*



*FIG. 7*



**FIG. 8**



**FIG. 9**