



US00D583028S

(12) **United States Design Patent**
Zou et al.

(10) **Patent No.:** **US D583,028 S**
(45) **Date of Patent:** **** Dec. 16, 2008**

(54) **BASIN**

(75) Inventors: **Qiong Zou**, Weifang (CN); **Li-Min Hou**, Weifang (CN)

(73) Assignee: **Globe Union Industrial Corp.**, Taichung (TW)

(**) Term: **14 Years**

(21) Appl. No.: **29/299,148**

(22) Filed: **Dec. 20, 2007**

(51) **LOC (8) Cl.** **23-02**

(52) **U.S. Cl.** **D23/284**

(58) **Field of Classification Search** D23/284,
D23/287, 291-293.1, 303, 308; 4/630, 631,
4/637, 638, 661

See application file for complete search history.

(56) **References Cited**

U.S. PATENT DOCUMENTS

D540,443 S * 4/2007 Paterson D23/293.1

* cited by examiner

Primary Examiner—Robert A Delehanty

(74) *Attorney, Agent, or Firm*—Leong C. Lei

(57) **CLAIM**

The ornamental design for a basin, as shown and described.

DESCRIPTION

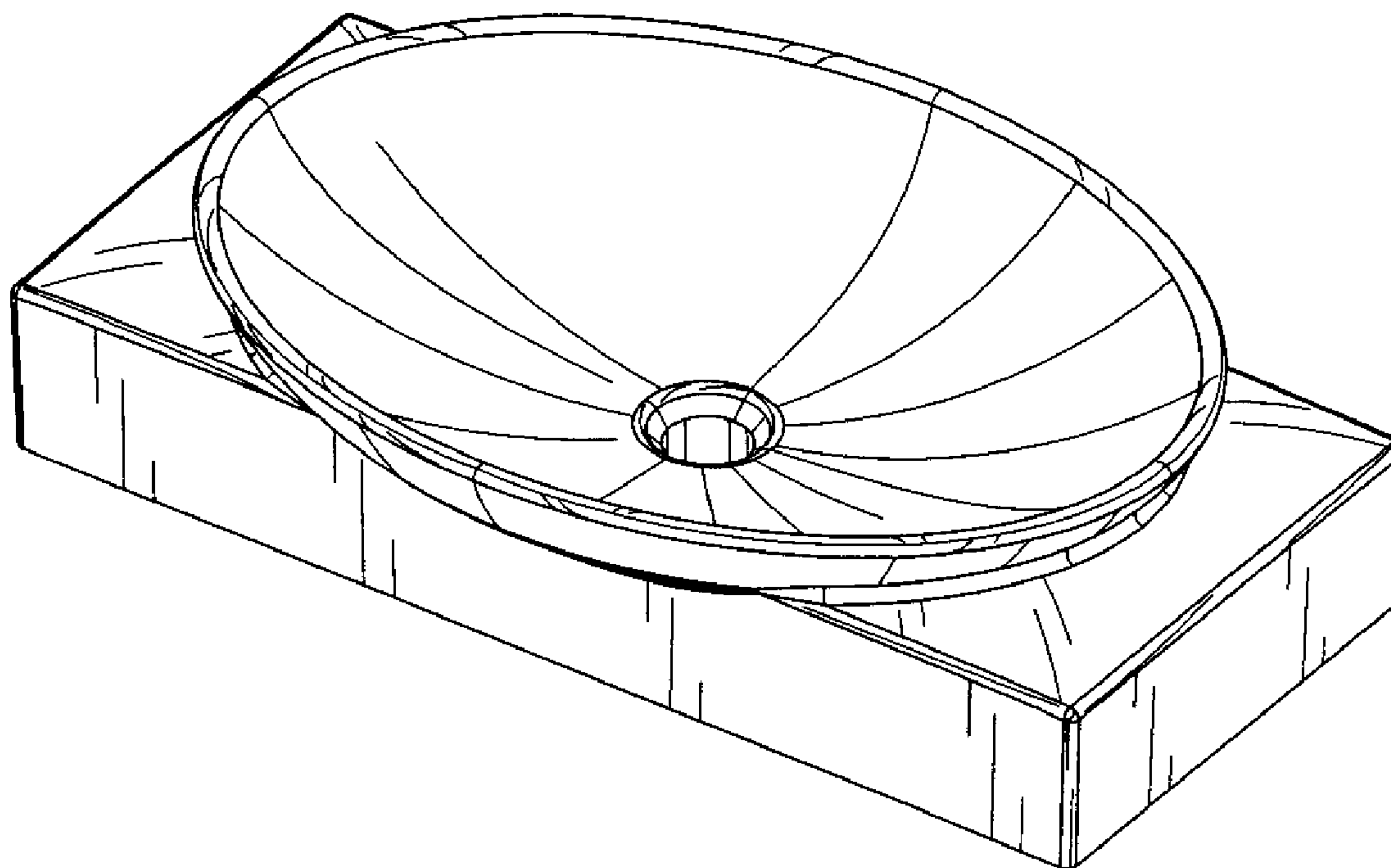
FIG. 1 is a perspective view of a basin showing my new design;

FIG. 2 is a front elevational view thereof;

FIG. 3 is a left side elevational view thereof; and,

FIG. 4 is a top plan view thereof.

1 Claim, 4 Drawing Sheets



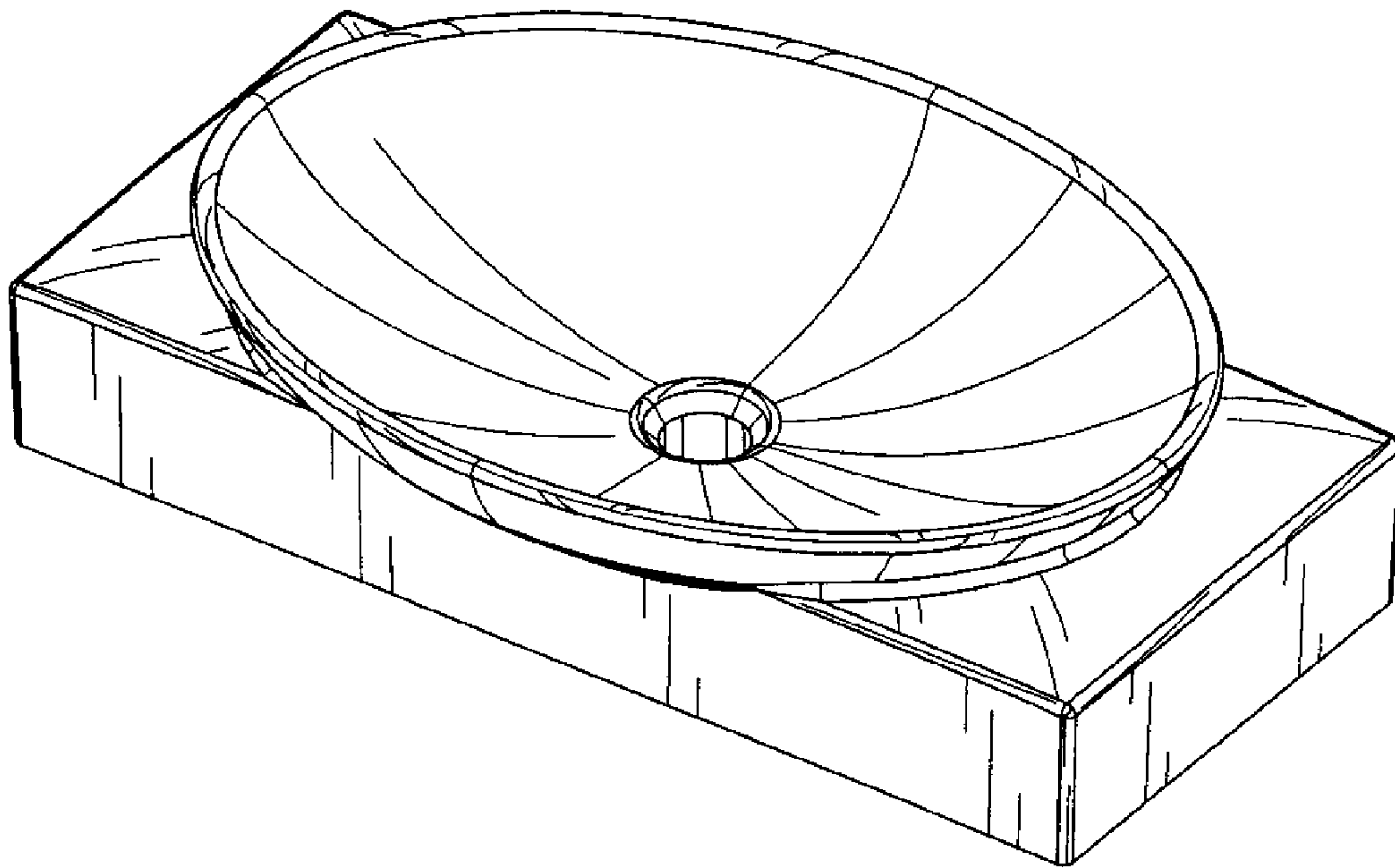


FIG. 1

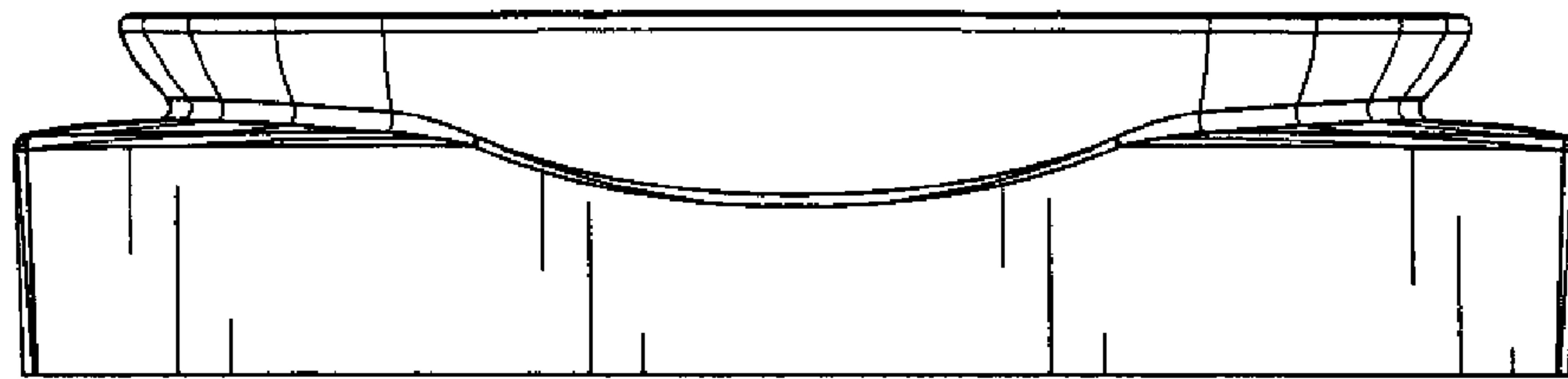


FIG. 2

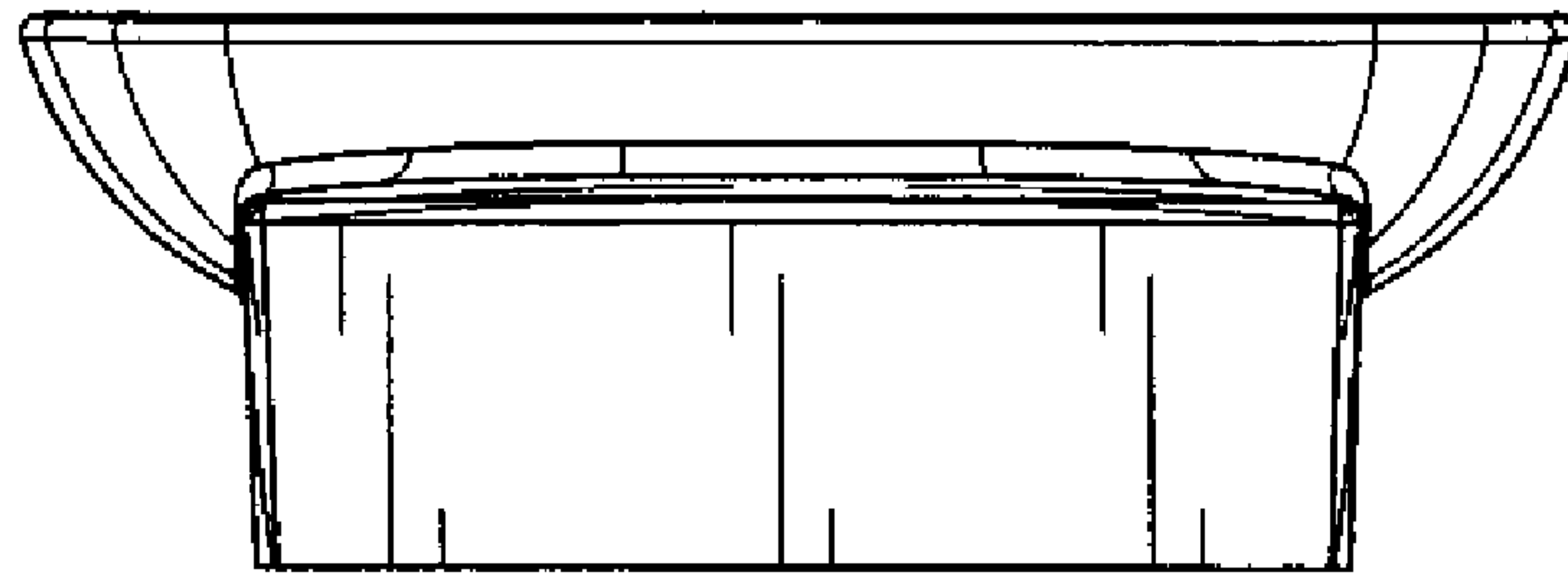


FIG. 3

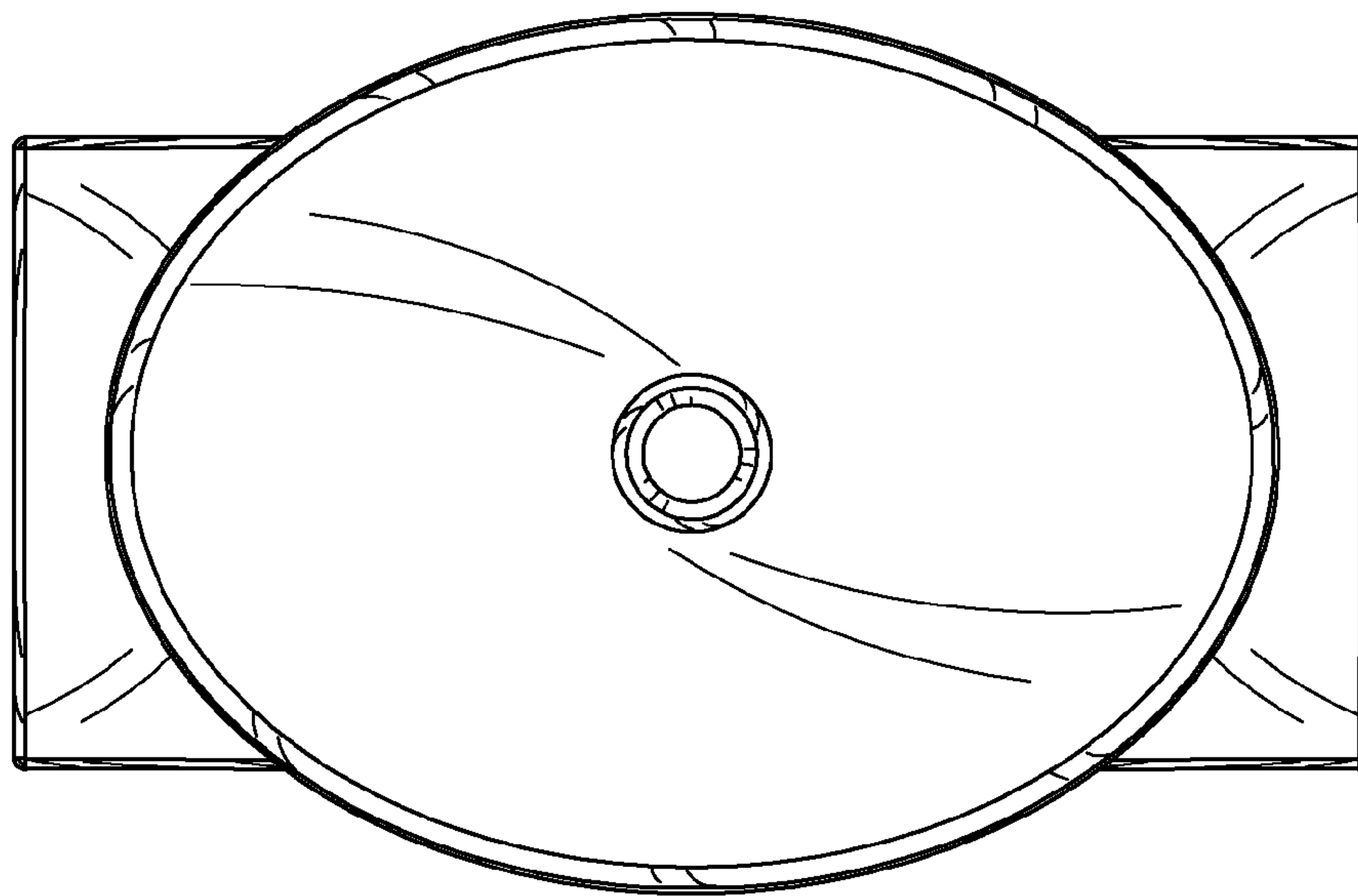


FIG. 4